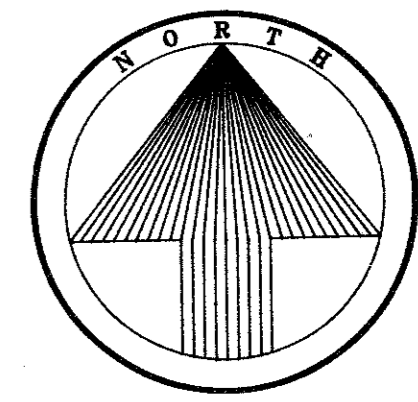


Storm Sewer Curve Data

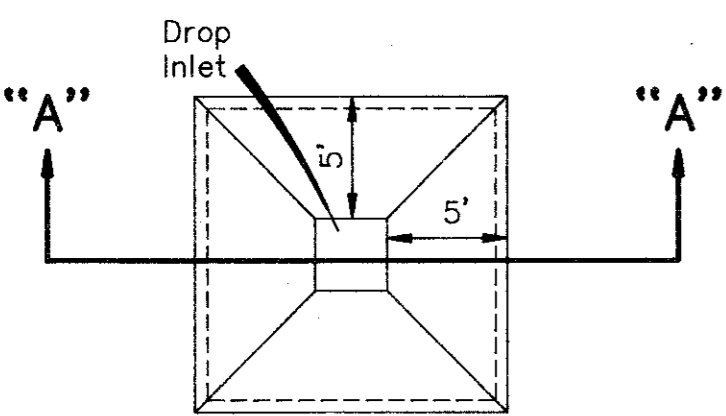
Crv. 1	Crv. 2	Crv. 3	Crv. 4
$\Delta = 40^{\circ}57'41''$	$\Delta = 14^{\circ}18'00''$	$\Delta = 89^{\circ}58'44''$	$\Delta = 38^{\circ}12'45''$
$R = 100.00'$	$R = 100.00'$	$R = 70.00'$	$R = 70.00'$
$T = 37.35'$	$T = 12.54'$	$T = 69.97'$	$T = 24.25'$
$L = 71.49'$	$L = 24.96'$	$L = 109.93'$	$L = 46.69'$



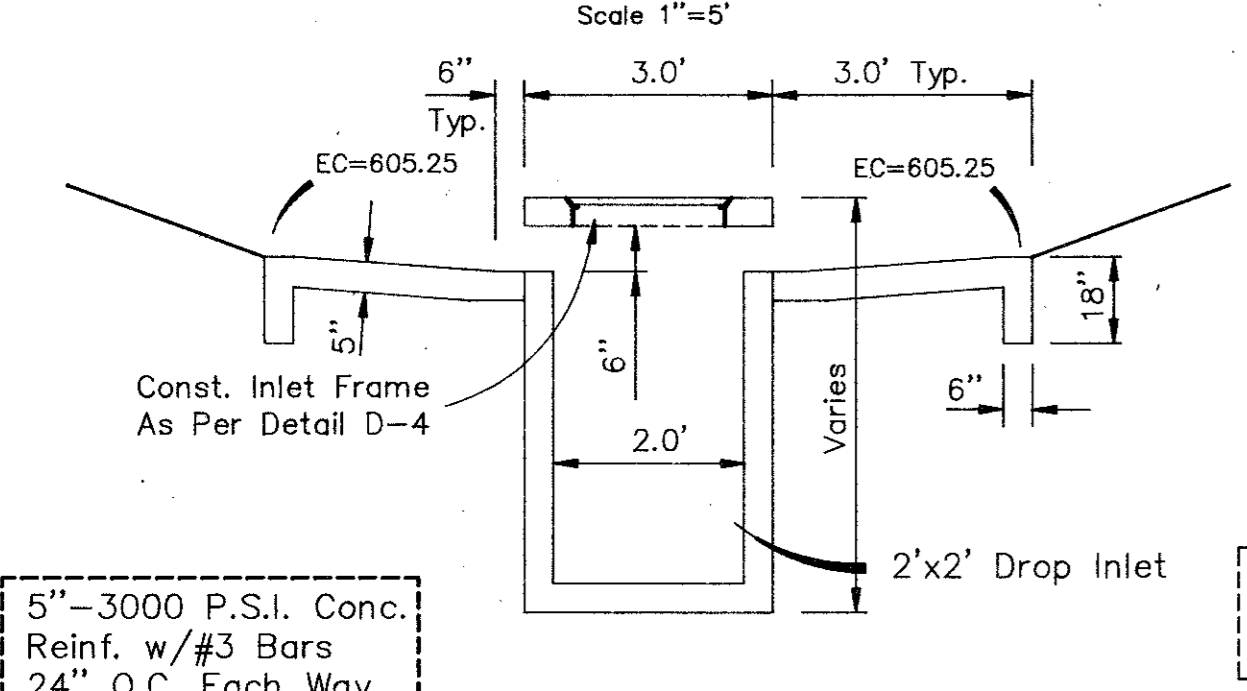
**CAUTION !!!
EXISTING UTILITIES**

EXISTING UTILITIES AND UNDERGROUND FACILITIES INDICATED ON THESE PLANS HAVE BEEN LOCATED FROM REFERENCE INFORMATION. IT SHALL BE THE RESPONSIBILITY OF THE CONTRACTOR TO VERIFY BOTH HORIZONTALLY AND VERTICALLY THE LOCATION OF ALL EXISTING UTILITIES AND UNDERGROUND FACILITIES PRIOR TO CONSTRUCTION. TO TAKE NECESSARY PRECAUTIONS IN ORDER TO PROTECT ALL FACILITIES ENCOUNTERED. THE CONTRACTOR SHALL PRESERVE AND PROTECT ALL EXISTING UTILITIES FROM DAMAGE DURING CONSTRUCTION.

WE ARE AWARE OF THESE FACILITIES LOCATED IN THE PROXIMITY TO THIS PROJECT.
TU ELECTRIC COMPANY 323-8928
LONE STAR GAS COMPANY 487-3885
SOUTHWESTERN BELL TELEPHONE 484-4095
STORERR CABLE 840-2388

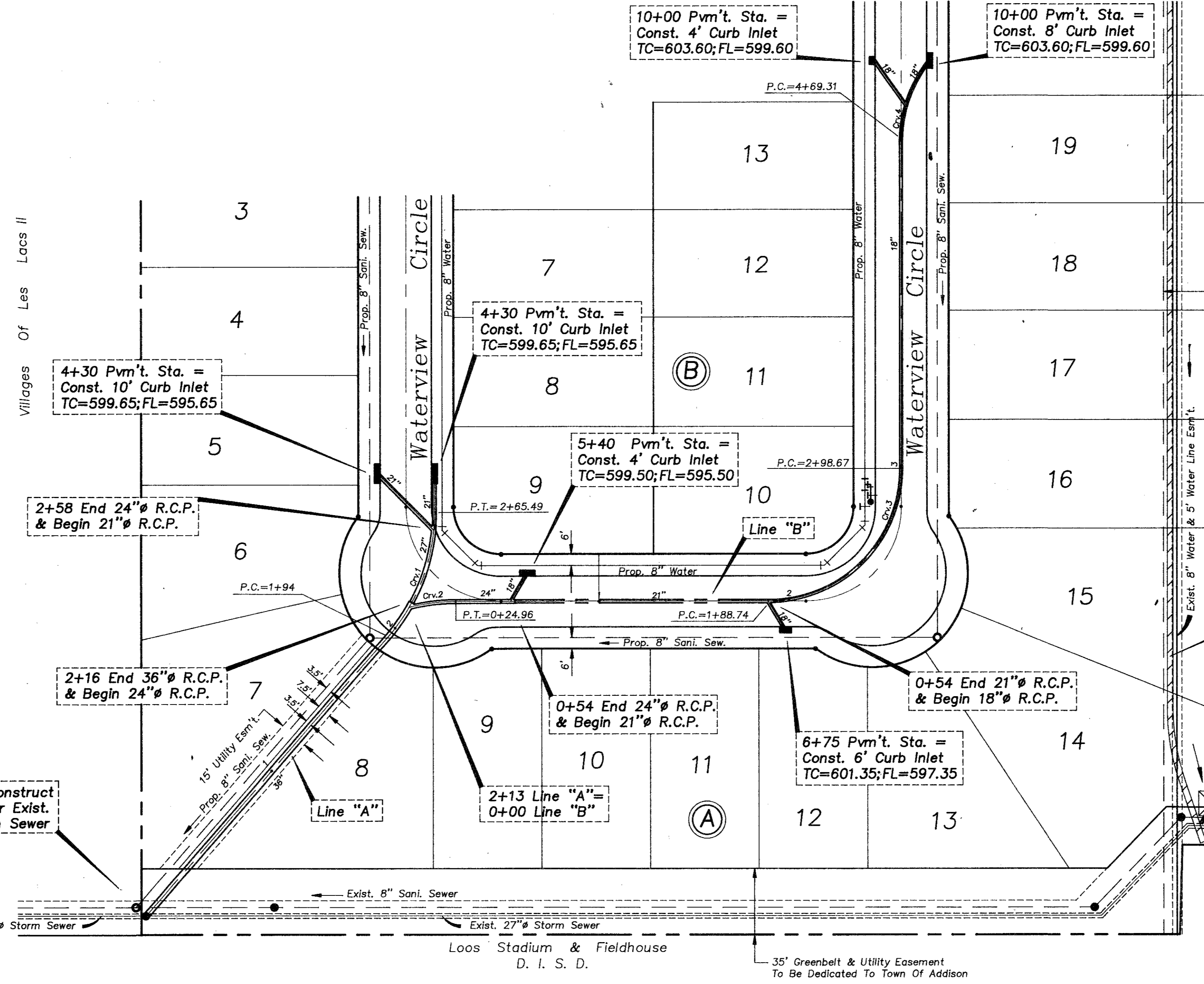


PLAN VIEW
Scale 1"=5'



SECTION "A-A"
No Scale

CONCRETE APRON DETAIL

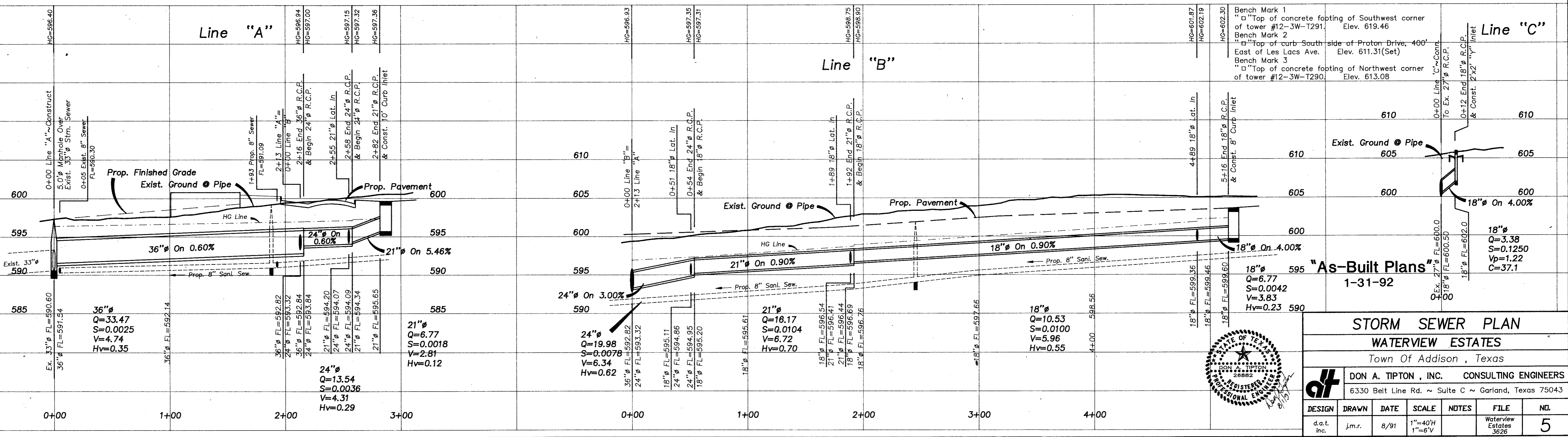


Construct Berm To Allow Drainage To Flow Into Proposed Drop Inlet See Sheet 2 For Detail

Construct 2'x 2' Drop Inlet With Concrete Apron~See Detail "A" Top=606.0; Lip=605.0; FL=602.0

Note:
Storm Sewer System Designed To Carry "Q100" Runoff - All "Q" Shown On The Plans Equals "Q100" Runoffs.

0+00 Line "C"~Connect to Existing 27" R.C.P. Storm Sewer Pipe



STORM SEWER PLAN						
WATERVIEW ESTATES						
Town Of Addison, Texas						
DESIGN		DRAWN		DATE	SCALE	NOTES
DON A. TIPTON, INC.		j.m.r.		8/91	1"=40'H 1"=6'V	Waterview Estates 3626
CONSULTING ENGINEERS		6330 Belt Line Rd. ~ Suite C ~ Garland, Texas 75043		FILE	NO.	
					5	