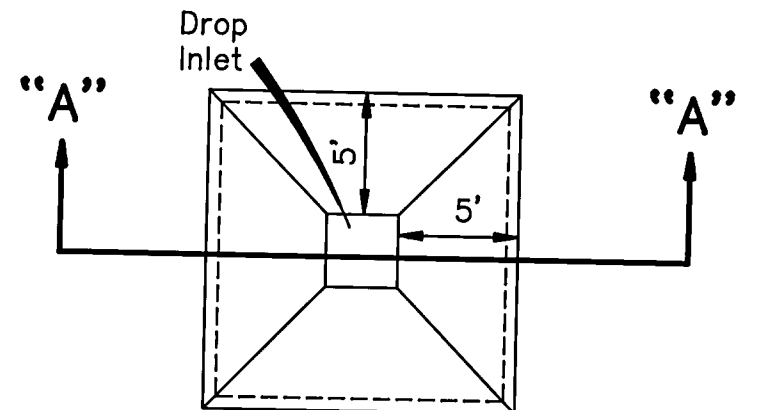
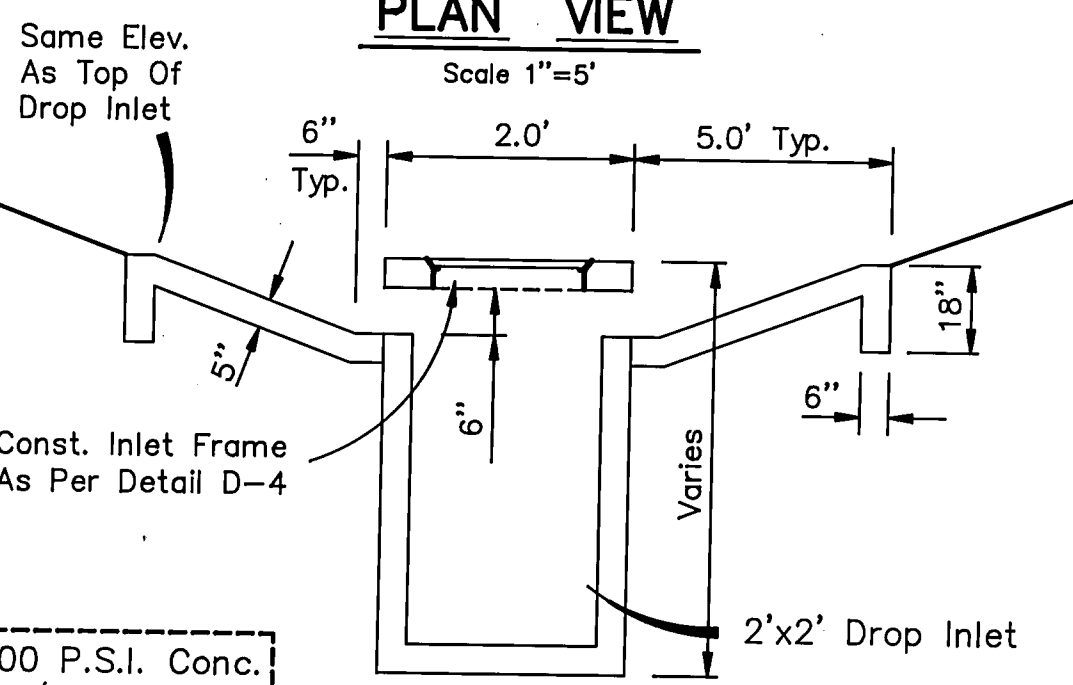


**Storm Sewer Curve Data**

Crv. 1 Δ = 40°57'41" R = 100.00' T = 37.35' L = 71.49'	Crv. 2 Δ = 14°18'00" R = 100.00' T = 12.54' L = 24.96'	Crv. 3 Δ = 89°58'44" R = 70.00' T = 69.97' L = 109.93'	Crv. 4 Δ = 38°12'45" R = 70.00' T = 24.25' L = 46.69'
--	--	--	---

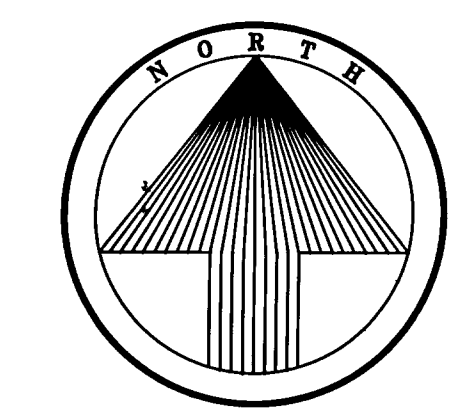


**PLAN VIEW**  
Scale 1"=5'



**SECTION "A-A"**  
No Scale

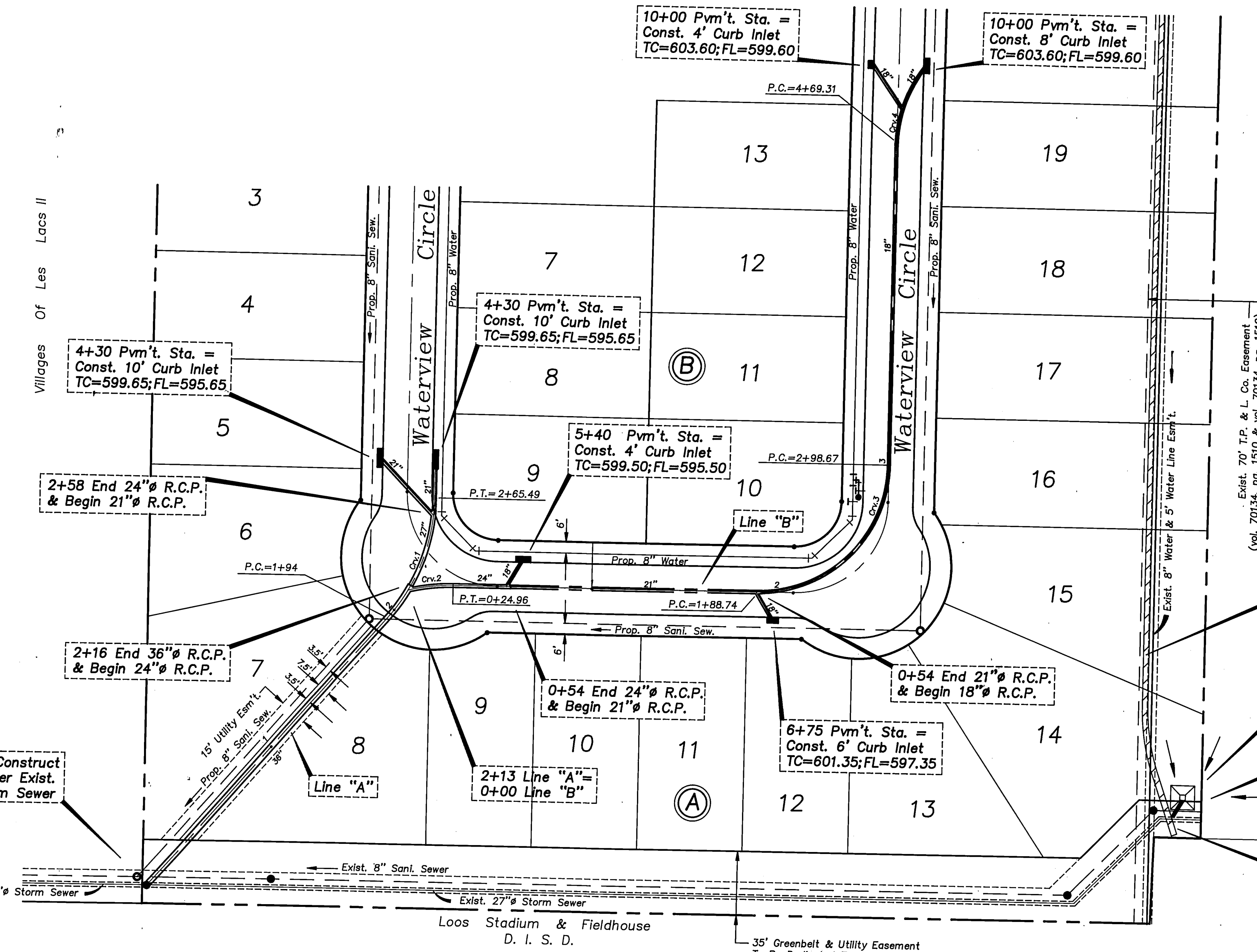
**CONCRETE APRON DETAIL**



**CAUTION !!!  
EXISTING UTILITIES**

EXISTING UTILITIES AND UNDERGROUND FACILITIES INDICATED ON THESE PLANS HAVE BEEN LOCATED FROM REFERENCE INFORMATION. IT SHALL BE THE RESPONSIBILITY OF THE CONTRACTOR TO VERIFY BOTH HORIZONTALLY AND VERTICALLY THE LOCATION OF ALL EXISTING UTILITIES AND UNDERGROUND FACILITIES PRIOR TO CONSTRUCTION. TO TAKE NECESSARY PRECAUTIONS IN ORDER TO PROTECT ALL FACILITIES ENCOUNTERED. THE CONTRACTOR SHALL PRESERVE AND PROTECT ALL EXISTING UTILITIES FROM DAMAGE DURING CONSTRUCTION.

WE ARE AWARE OF THESE FACILITIES LOCATED IN THE PROXIMITY TO THIS PROJECT.  
TU ELECTRIC COMPANY 323-8928  
LONE STAR GAS COMPANY 487-3885  
SOUTHWESTERN BELL TELEPHONE 464-4095  
STORERR CABLE 840-2388



Construct Berm To Allow Drainage To Flow Into Proposed Drop Inlet See Sheet 2 For Detail

Construct 2'x 2' Drop Inlet With Concrete Apron~See Detail "A" Top=606.0; Lip=605.0; FL=602.0

0+00 Line "C"~Connect to Existing 27" R.C.P. Storm Sewer Pipe

**Note:**  
Storm Sewer System Designed To Carry "Q100" Runoff - All "Q" Shown On The Plans Equals "Q100" Runoffs.

Station	Line "A"	Line "B"	Line "C"
0+00	36" On 0.60%	24" On 3.00%	18" On 4.00%
1+00	24" On 0.60%	21" On 0.90%	18" On 4.00%
2+00	21" On 5.46%	18" On 0.90%	18" On 4.00%
3+00	21" On 5.46%	18" On 0.90%	18" On 4.00%
4+00	21" On 5.46%	18" On 0.90%	18" On 4.00%

**STORM SEWER PLAN**  
**WATERVIEW ESTATES**  
Town Of Addison, Texas

**DON A. TIPTON, INC. CONSULTING ENGINEERS**  
6330 Belt Line Rd. ~ Suite C ~ Garland, Texas 75043

DESIGN	DRAWN	DATE	SCALE	NOTES	FILE	NO.
d.a.t.	j.m.r.	8/91	1"=40'H 1"=6'V	Waterview Estates 3626		5