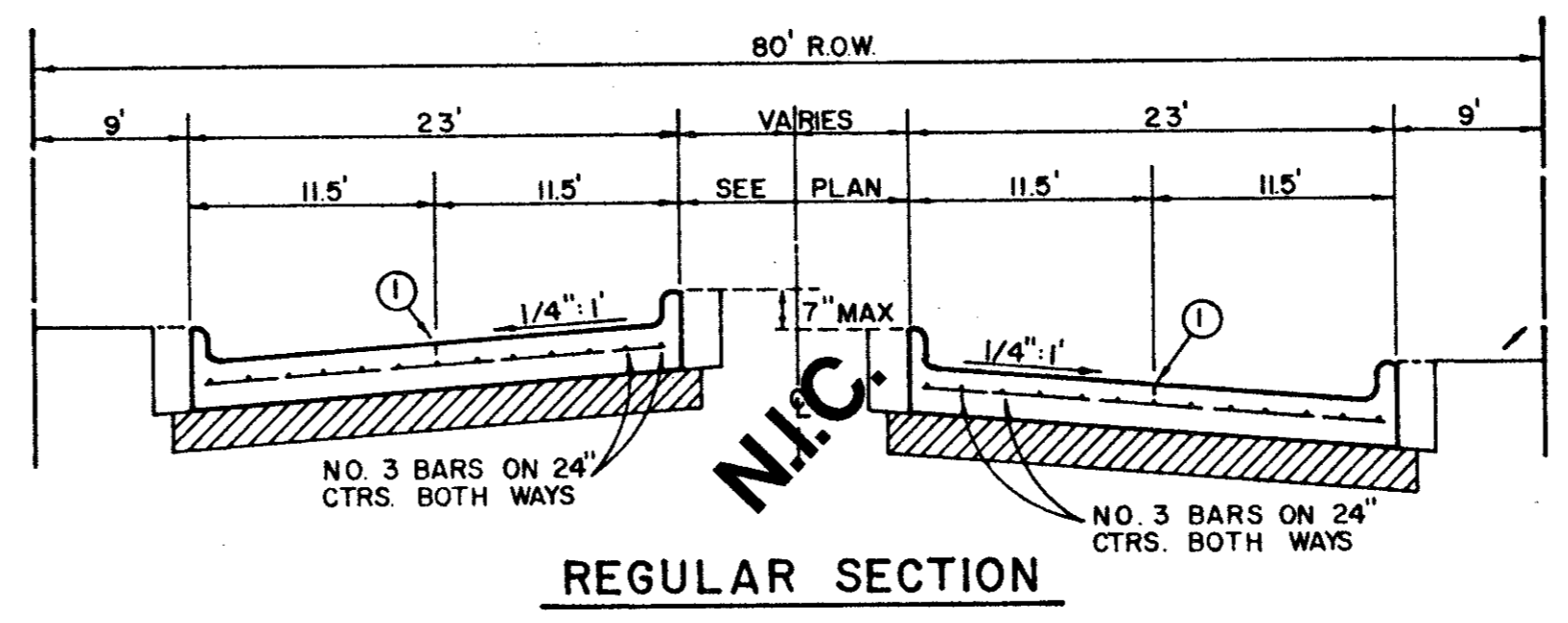
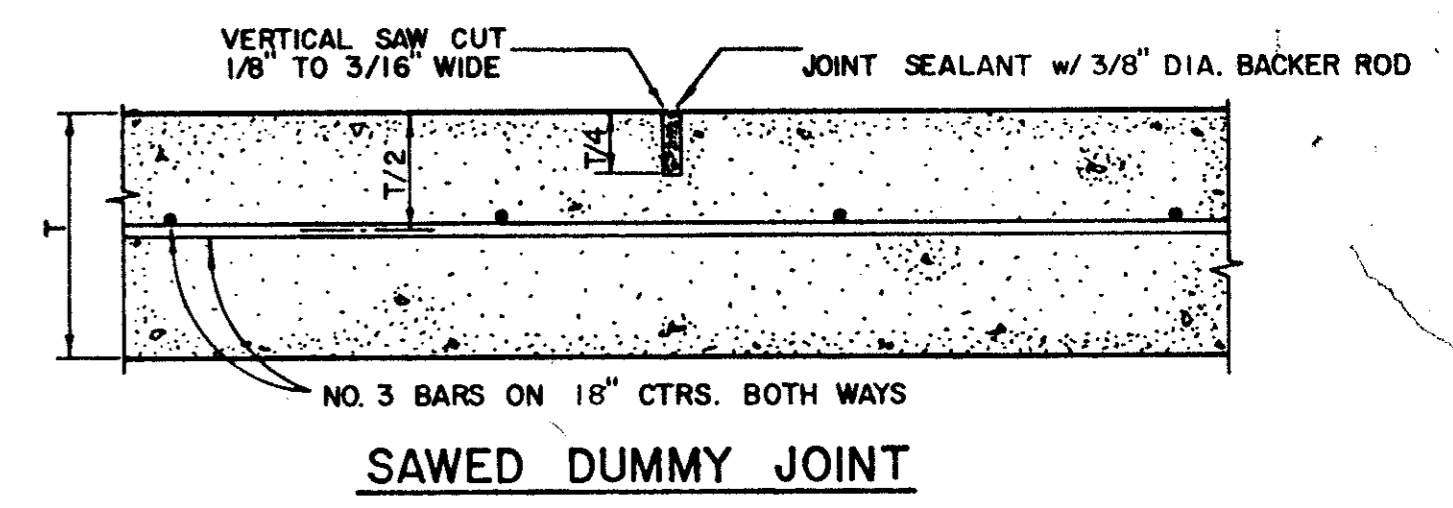


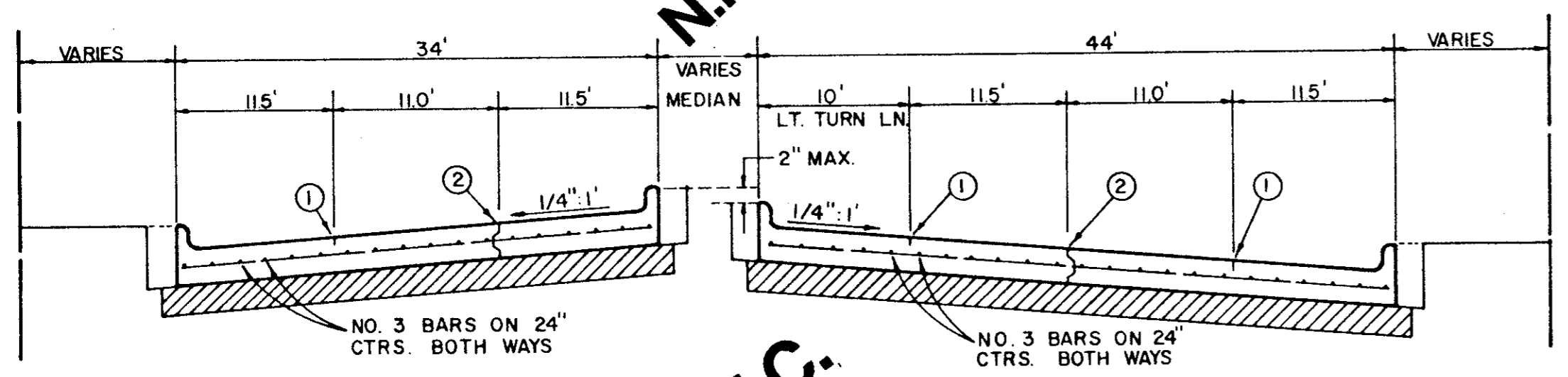
REGULAR SECTION



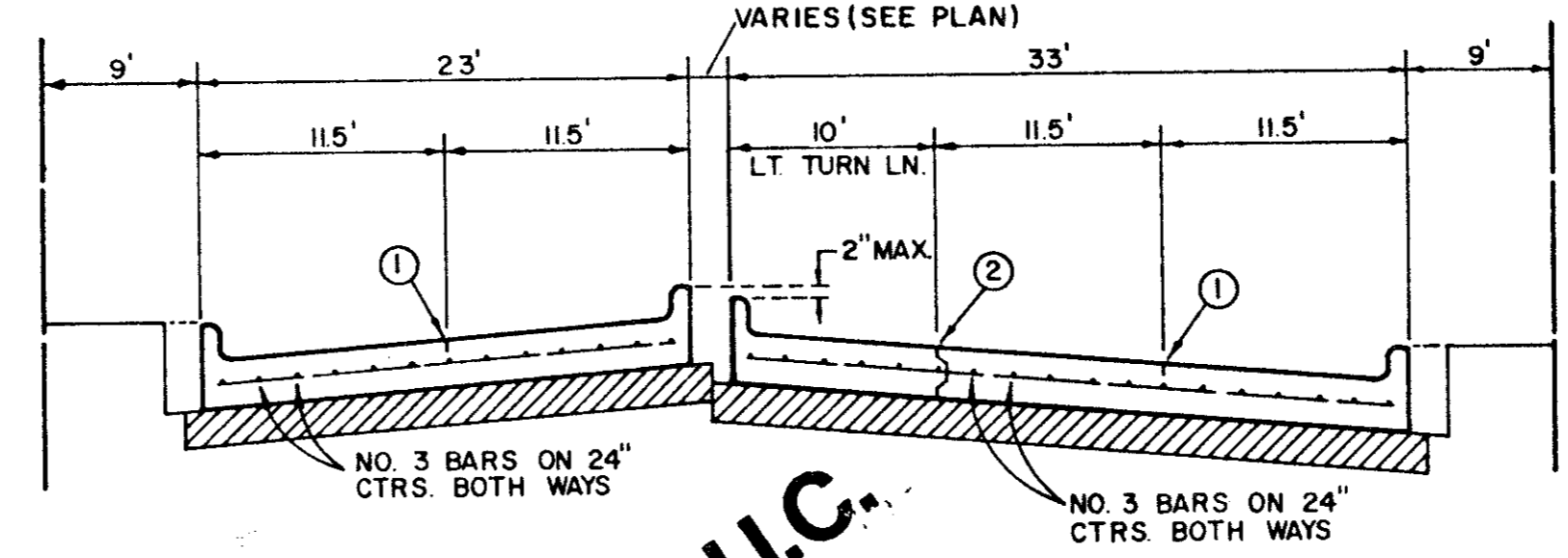
REGULAR SECTION



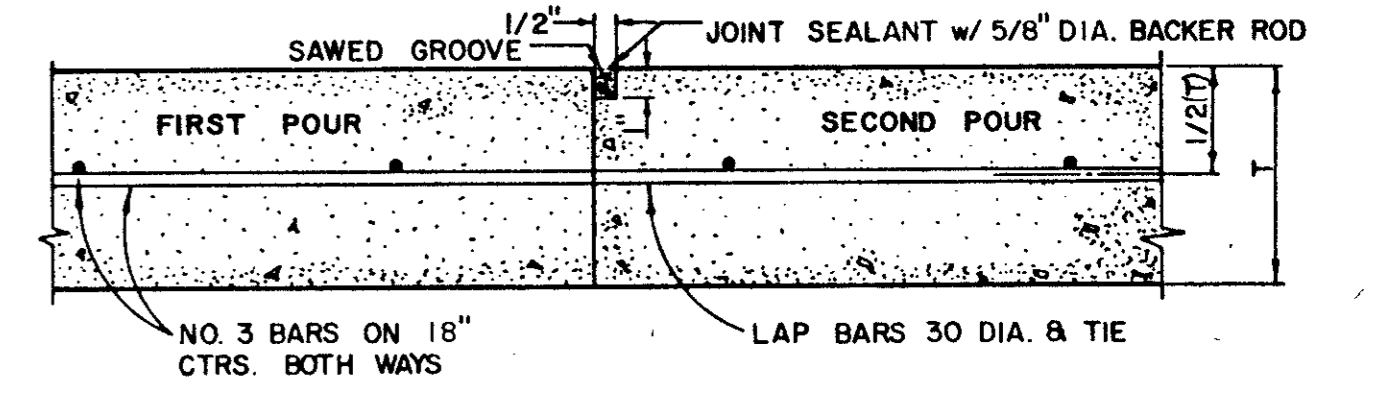
SAWED DUMMY JOINT



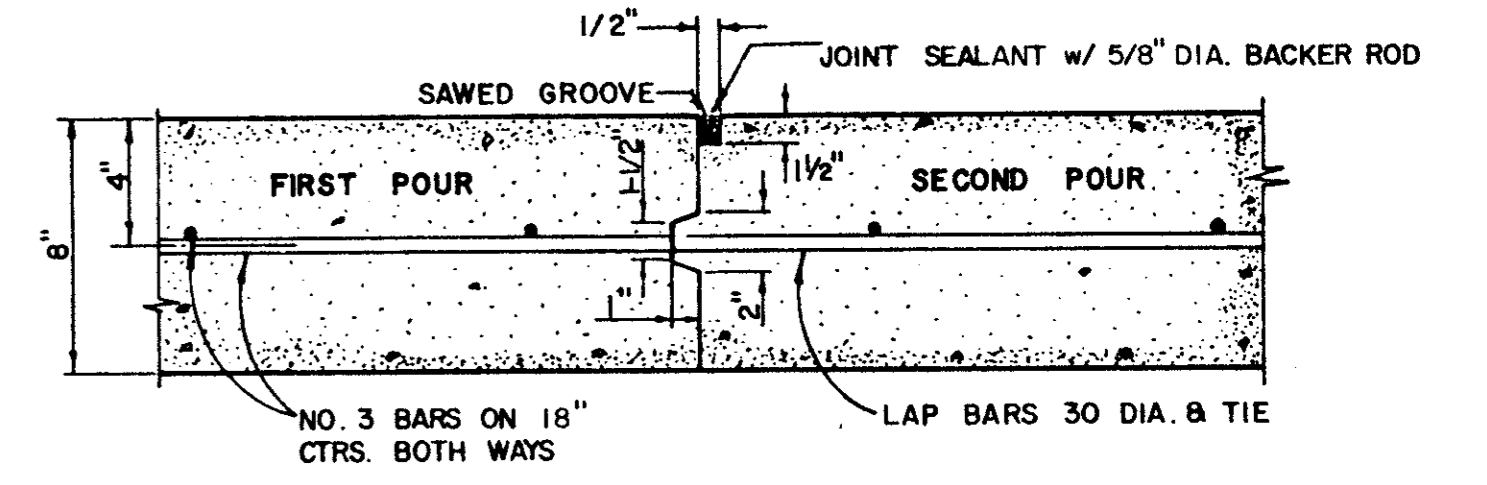
LEFT TURN SECTION



LEFT TURN SECTION



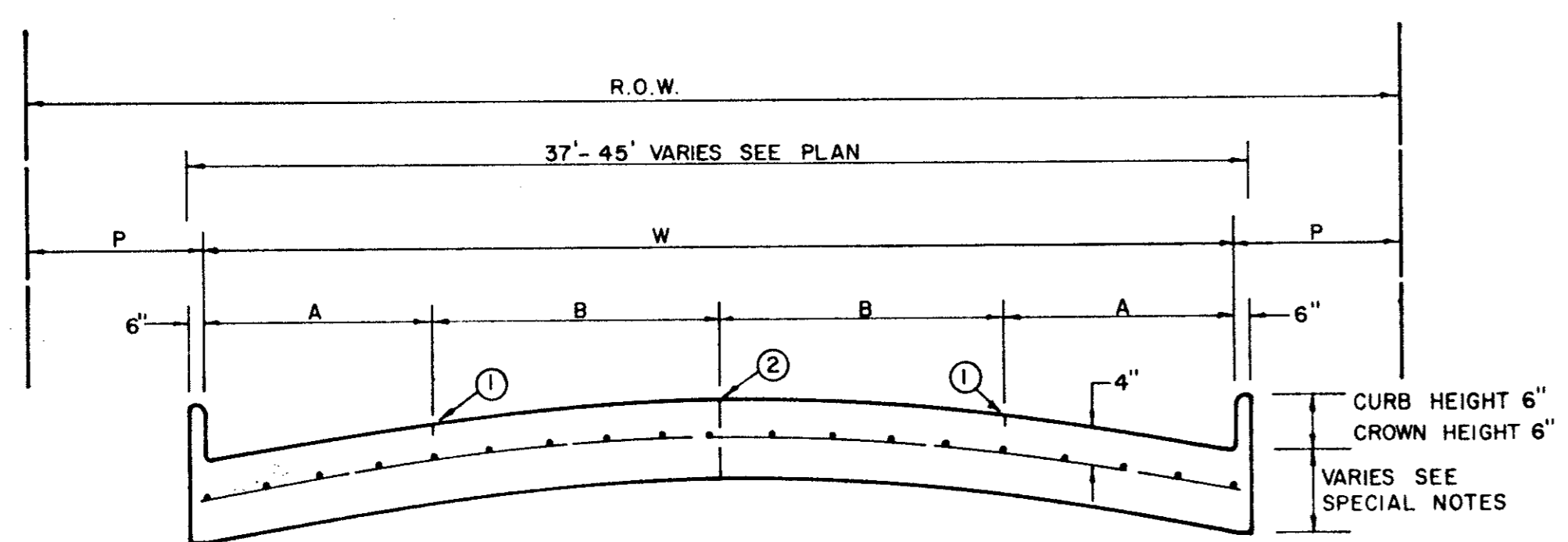
CONSTRUCTION JOINT FOR 6 INCH PAVEMENT



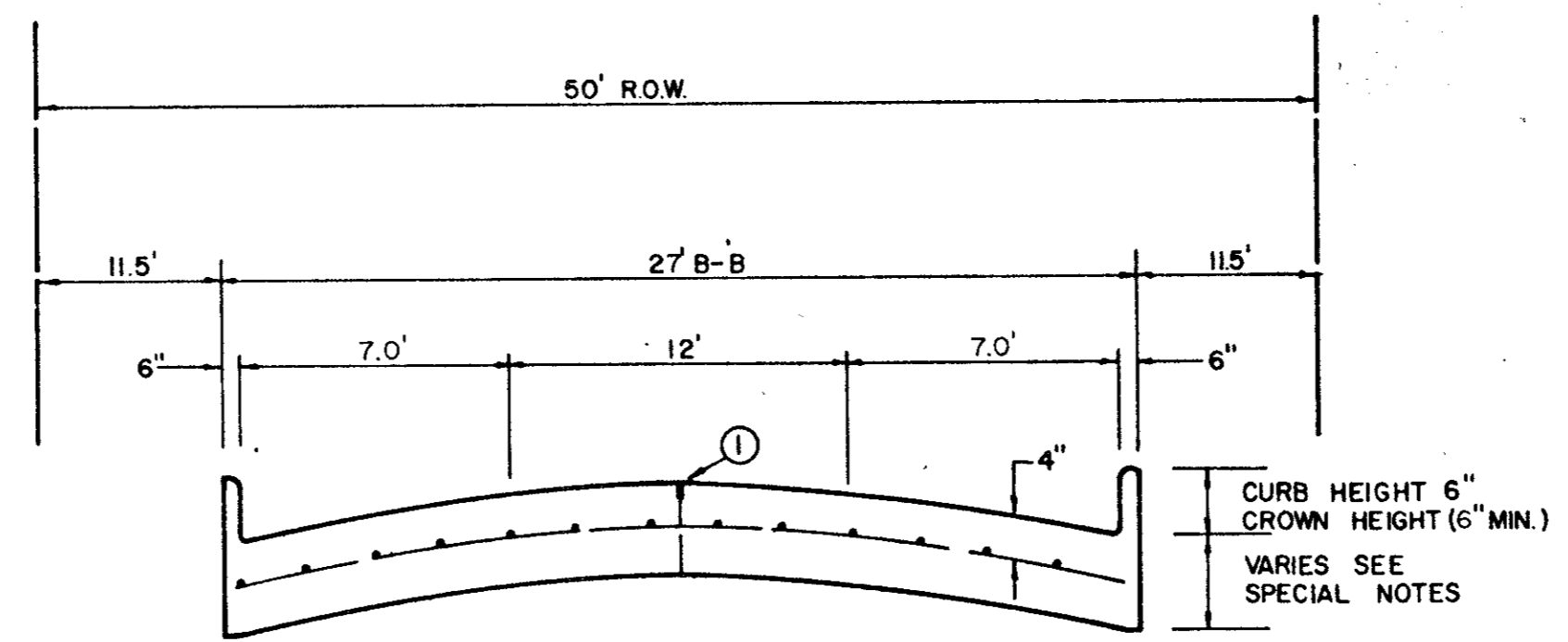
CONSTRUCTION JOINT FOR 8 INCH PAVEMENT

MAJOR ARTERIAL

MINOR ARTERIAL



FOUR MOVING LANES OR TWO MOVING LANES/TWO PARKING LANES



ONE MOVING LANE / TWO PARKING LANES

STREET TYPE	STREET WIDTH (W)	A	B	ROW WIDTH	P
COLLECTOR	36'	8'	10'	60'	11.5'
COLLECTOR	40'	8' OR 10'	10' OR 12'	60'	9.5'
COLLECTOR	44'	11'	11'	65'	10.0'

* FULL WIDTH PAVEMENT OF 36' WIDTH STREETS IS ALLOWED WHERE APPROVED BY THE ENGINEER.

LOCAL STREET

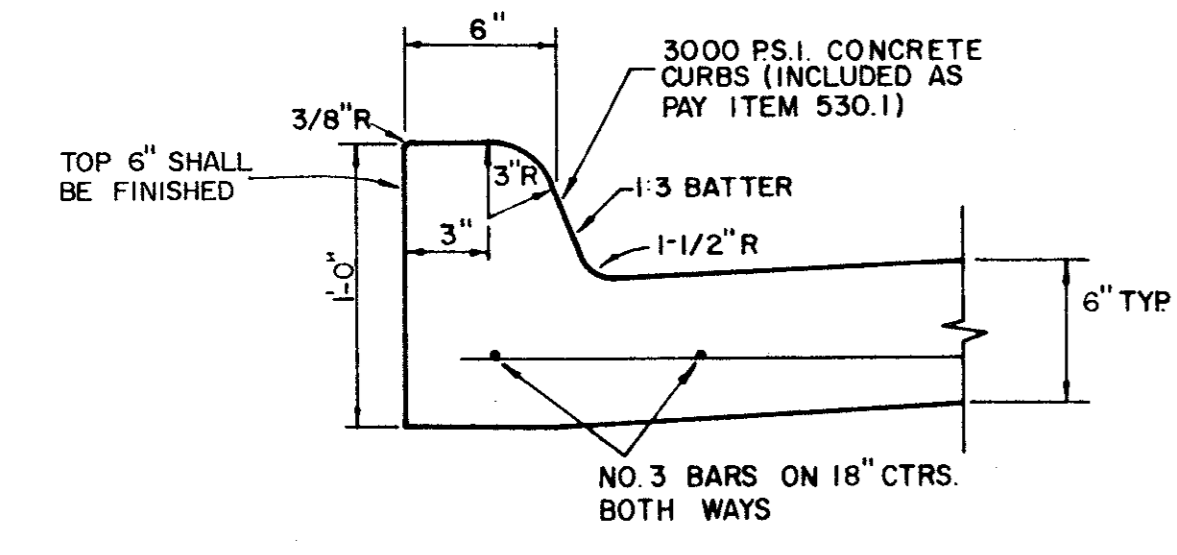
GENERAL NOTES

- A. GENERAL PAVEMENT THICKNESS FOR STREETS SHALL BE AS SPECIFIED BELOW IN SPECIAL NOTES.
- B. STANDARD SPECIFICATIONS REINFORCED CONCRETE PAVEMENTS
 - 1. ALL CURBS SHALL BE PLACED INTEGRAL WITH PAVEMENT
 - 2. CURBS SHALL MEET THE SAME COMPRESSIVE STRENGTH AS SPECIFIED FOR THE CONCRETE PAVEMENT.
 - 3. DETAIL AND ARRANGEMENT OF JOINTS, ALL TYPES, SHALL BE AS SHOWN ON THE STANDARD CONSTRUCTION DETAILS, OR AS APPROVED BY ENGINEER.
 - 4. BAR LAPS SHALL BE 30 DIAMETERS.
- C. BAR CHAIRS OR AN APPROVED SUPPORTING DEVICE SHALL BE FURNISHED.

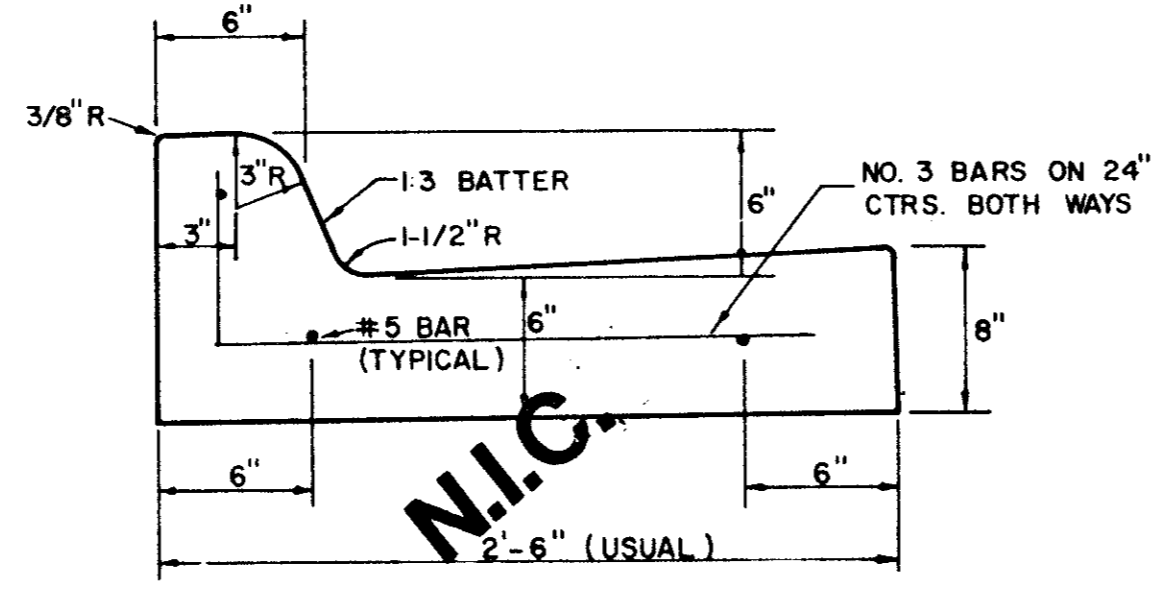
COLLECTOR STREET

REINFORCED CONCRETE PAVEMENT

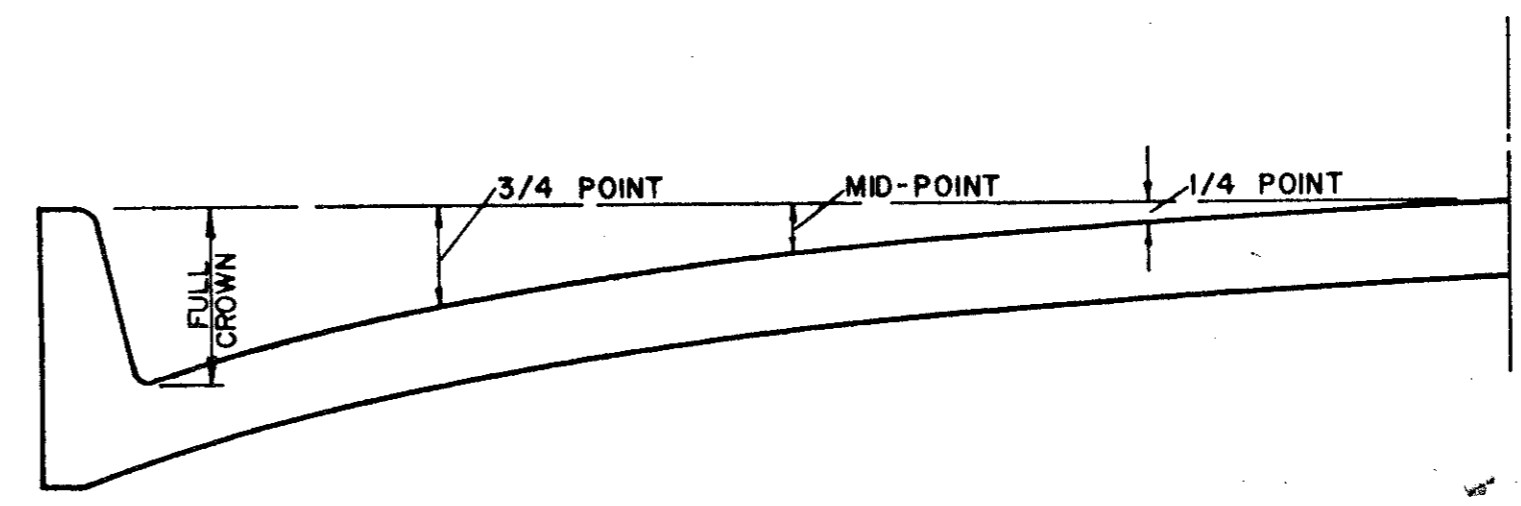
ALL REINFORCING BARS SHALL BE NO. 3 TRANSVERSE BARS TO BE SPACED ON 1'-6" CENTERS; LONGITUDINAL BARS TO BE SPACED ON 1'-6" EXCEPT WHERE NOTED.
 UNDIVIDED STREETS-PROVIDE 4" DBL.-REF YELLOW & BUTTON P-117-Y PATTERNS TO BE ESTABLISHED BY ENGINEER. SEE DETAIL SHEET
 ① SAWED LONGITUDINAL DUMMY JOINT
 ② CONSTRUCTION JOINT (FULL WIDTH PAVT IS ALLOWED WHERE APPROVED BY ENGINEER.
 ③ FINISH SHALL BE TRANSVERSE WITH TRAFFIC LANES AND SHALL BE STEEL TINED BROOM FINISH.



STANDARD CURB

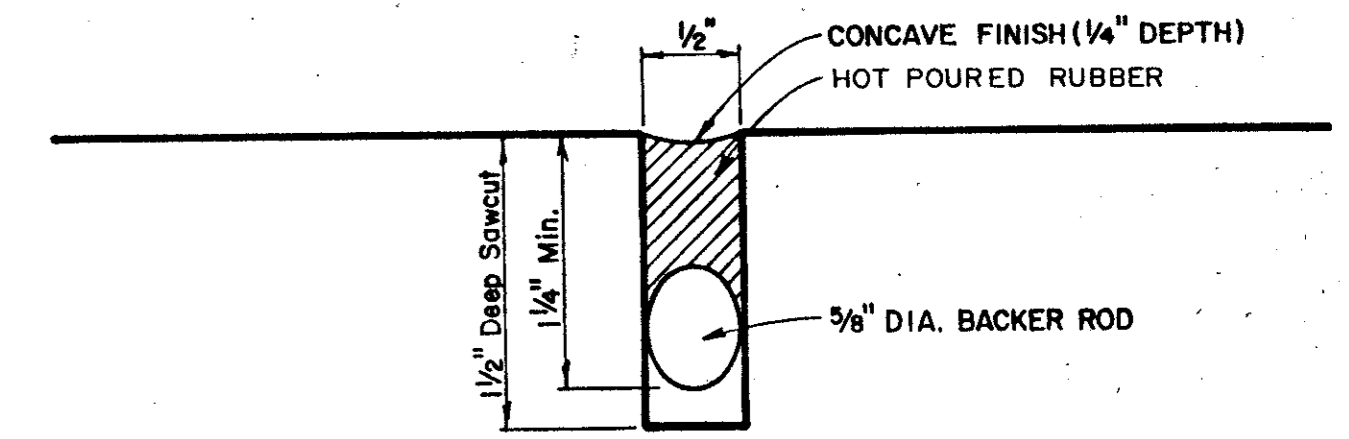


SEPARATE CURB AND GUTTER

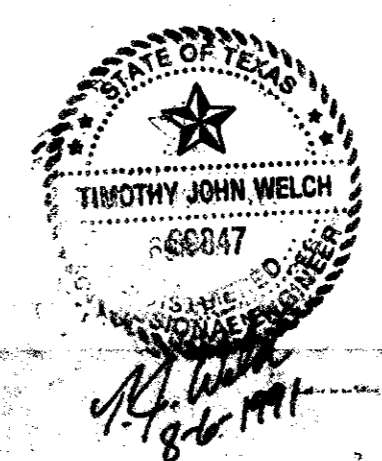


ROADWAY WIDTH (W)	TOTAL CROWN HEIGHT	3/4 POINT	MID-POINT	1/4 POINT
26'	6"	3 - 3/8"	1 - 1/2"	3/8"
36'	6"	3 - 3/8"	1 - 1/2"	3/8"
44'	6"	3 - 3/8"	1 - 1/2"	3/8"
48'	6"	3 - 3/8"	1 - 1/2"	3/8"

TABLE OF CROWN HEIGHTS AND ORDINATES FOR VARIOUS PARABOLIC SECTIONS



TYPICAL JOINT DETAIL AS BUILT



TOWN OF ADDISON, TEXAS
 DEPARTMENT OF ENGINEERING

STANDARD CONSTRUCTION DETAILS PAVING

STREET CROWNS & JOINTS

Designed - _____ Drawn - _____ Date - AUGUST, 1991 Job No. - 90025-3
 Approved - _____ Checked - _____ Scale - _____ Sheet D-1 Of _____