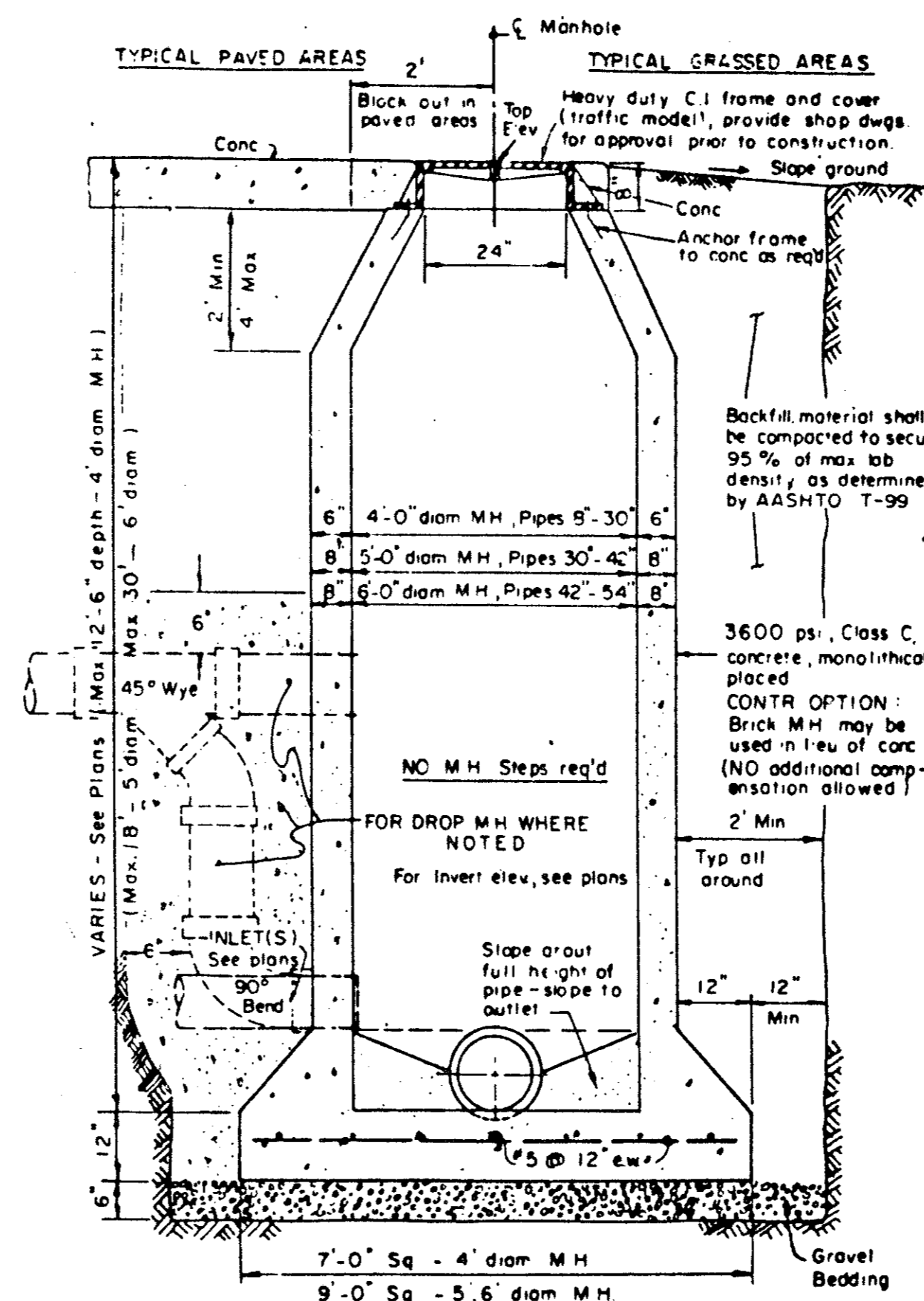
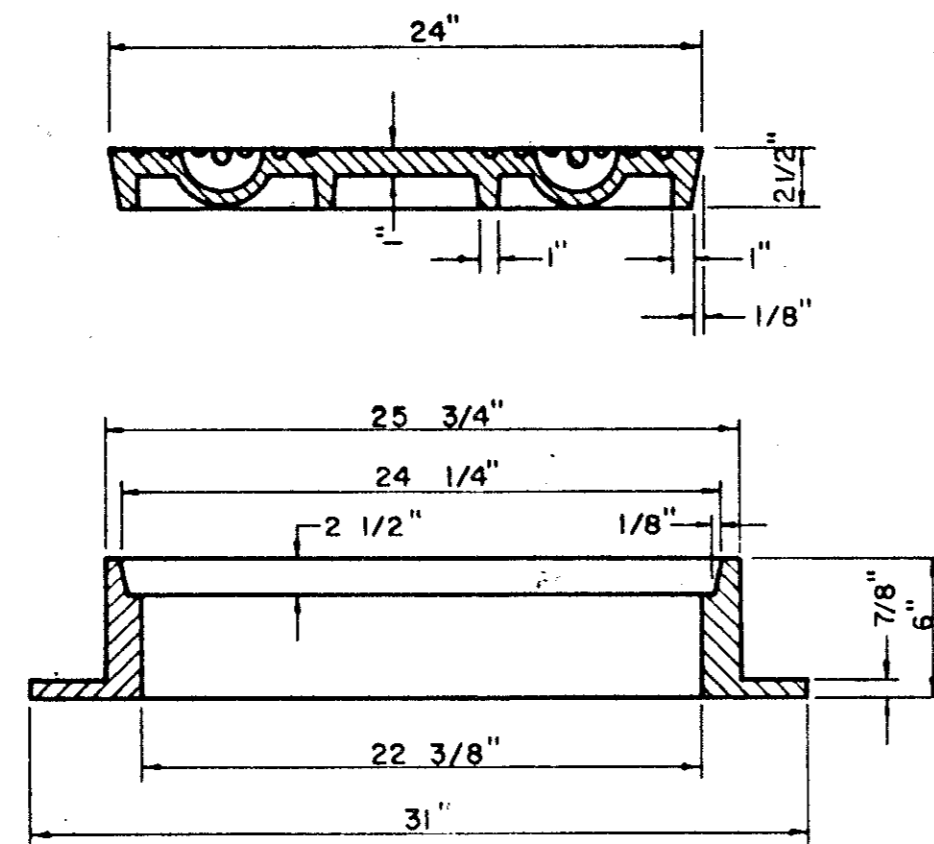


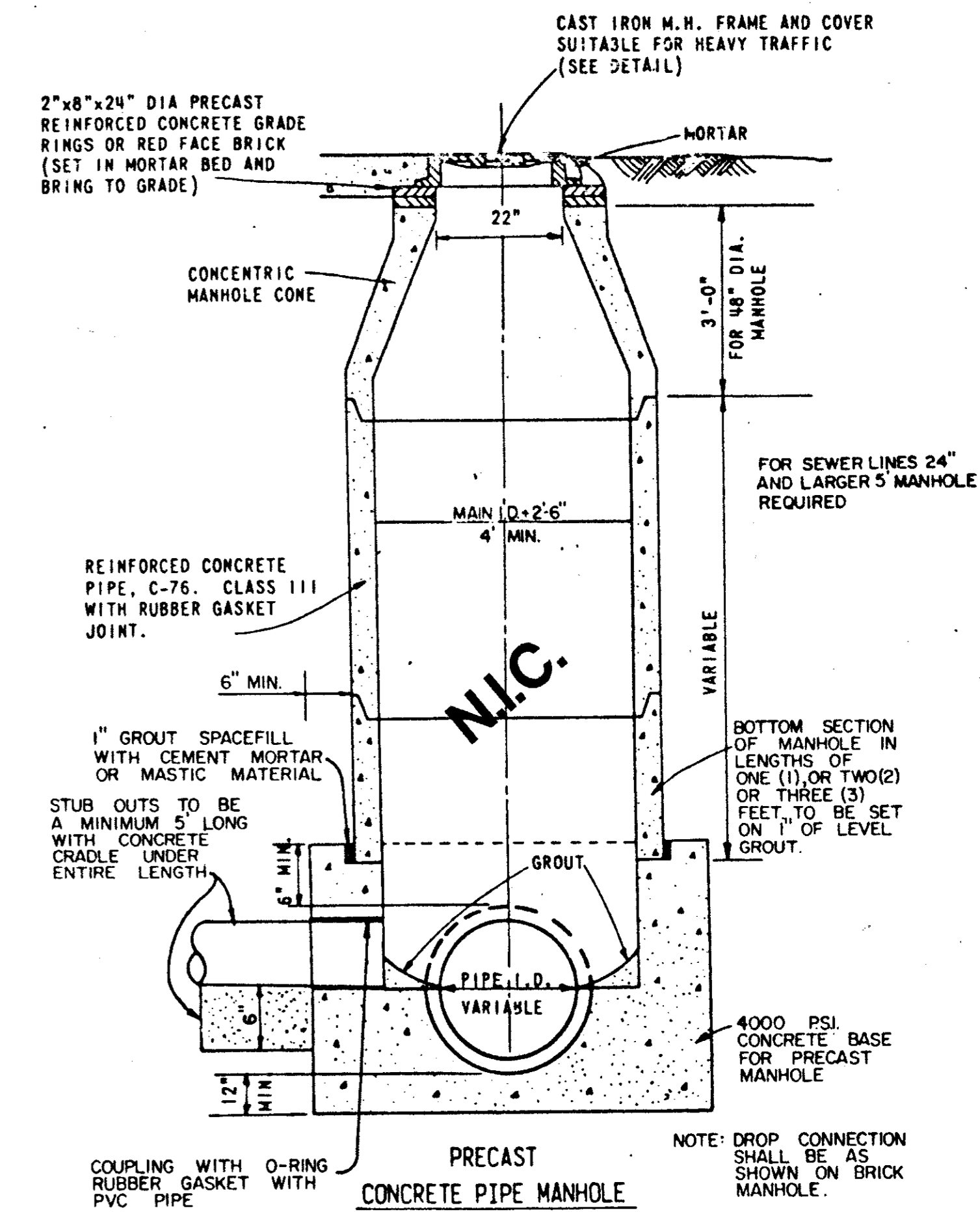
APPROX.
WEIGHT
RING AND COVER
385 LBS.

CAST IRON GRATE AND FRAME DETAIL

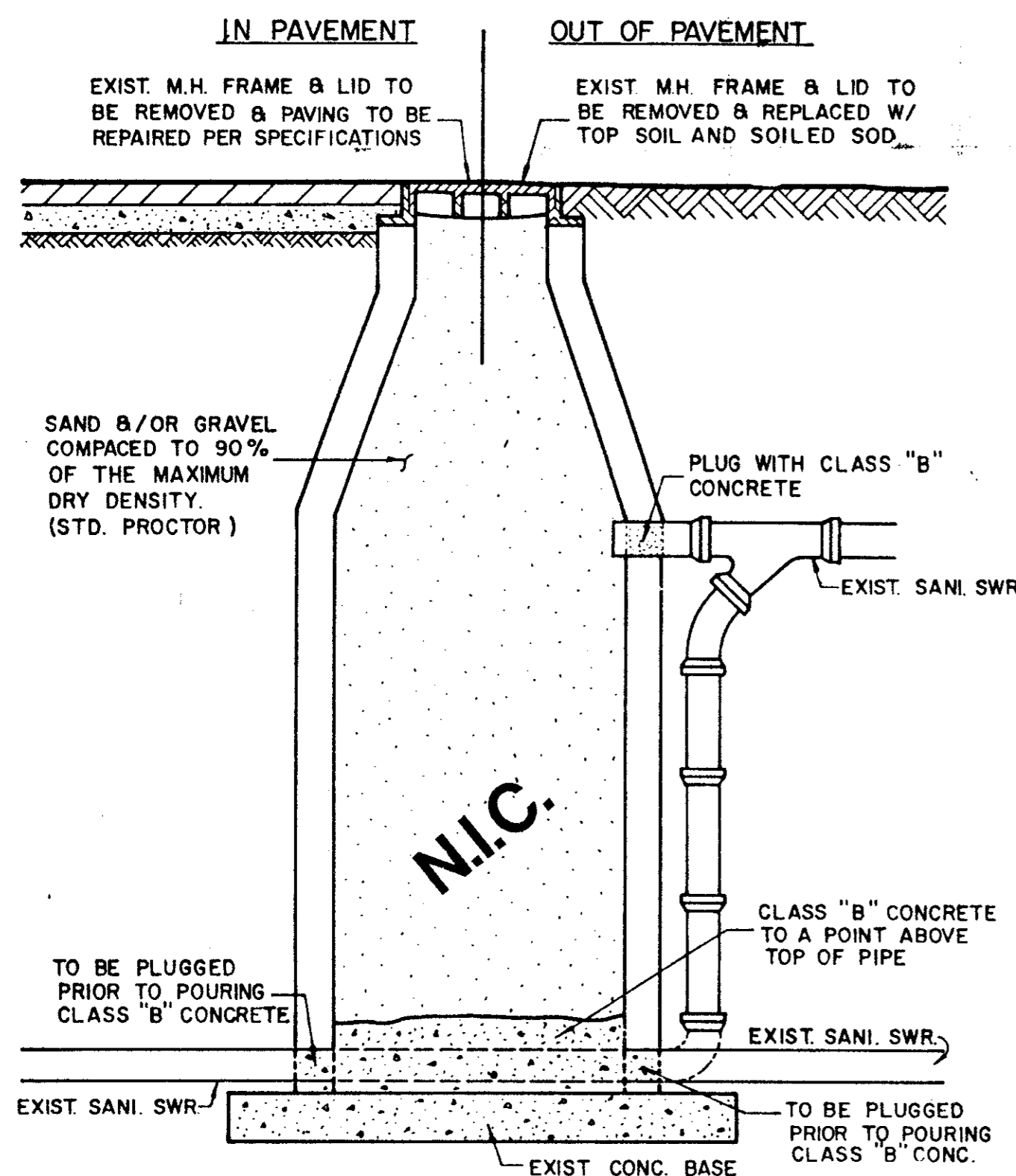


CAST IN PLACE MANHOLE

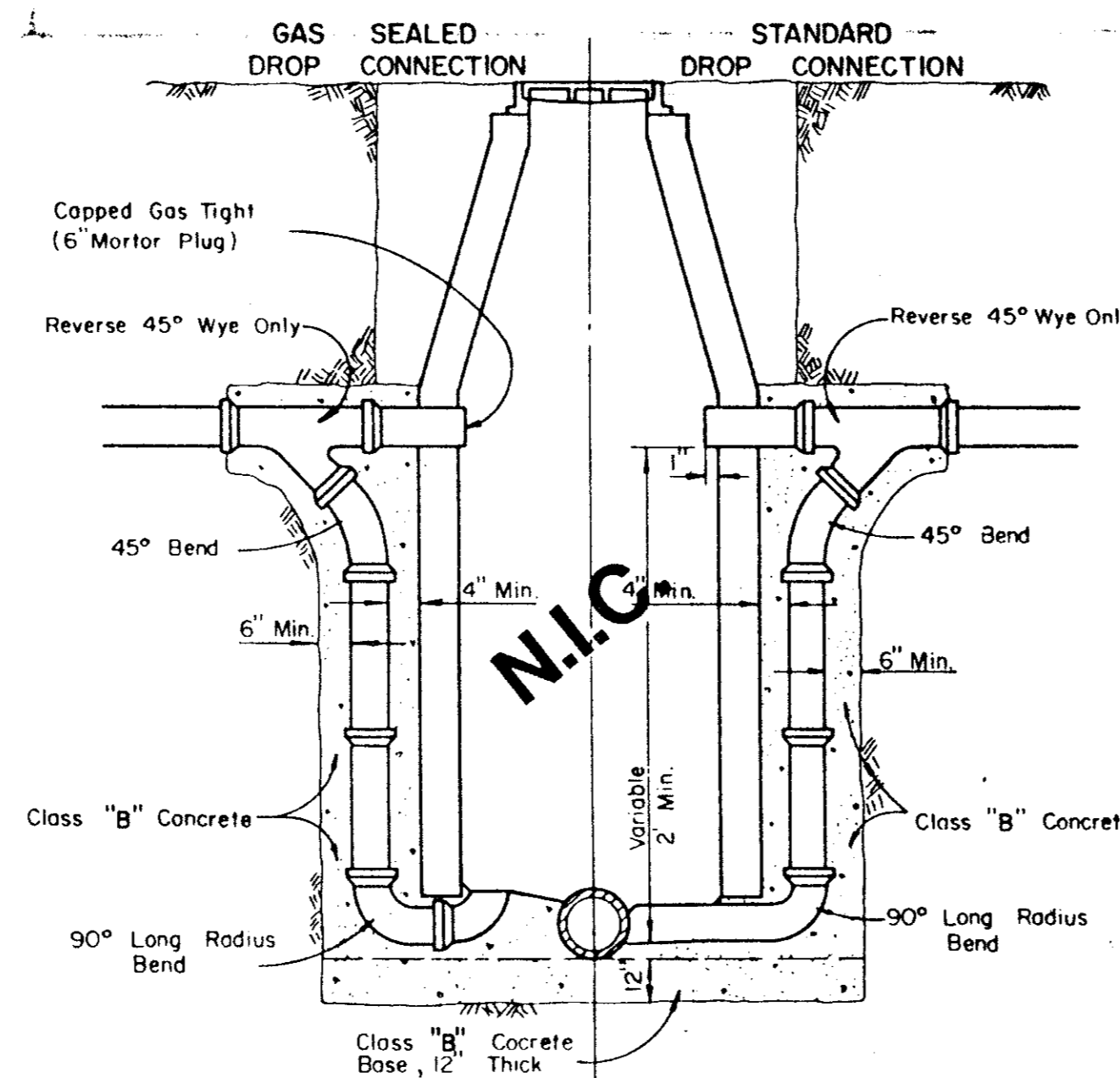
WHERE DROP M.H. IS REQUIRED, USE INSIDE DROP CONNECTION AS PER TOWN OF ADDISON STANDARDS.



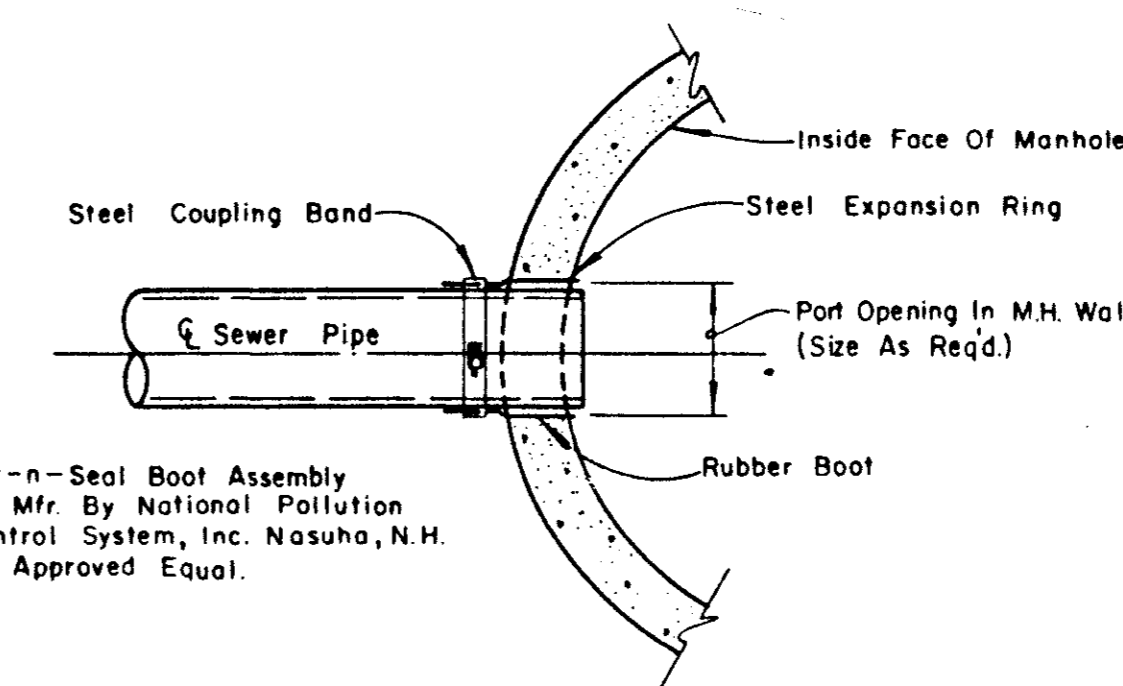
PRECAST MANHOLE



ABANDONMENT OF EXISTING MANHOLE
IN AND OUT OF PAVEMENT

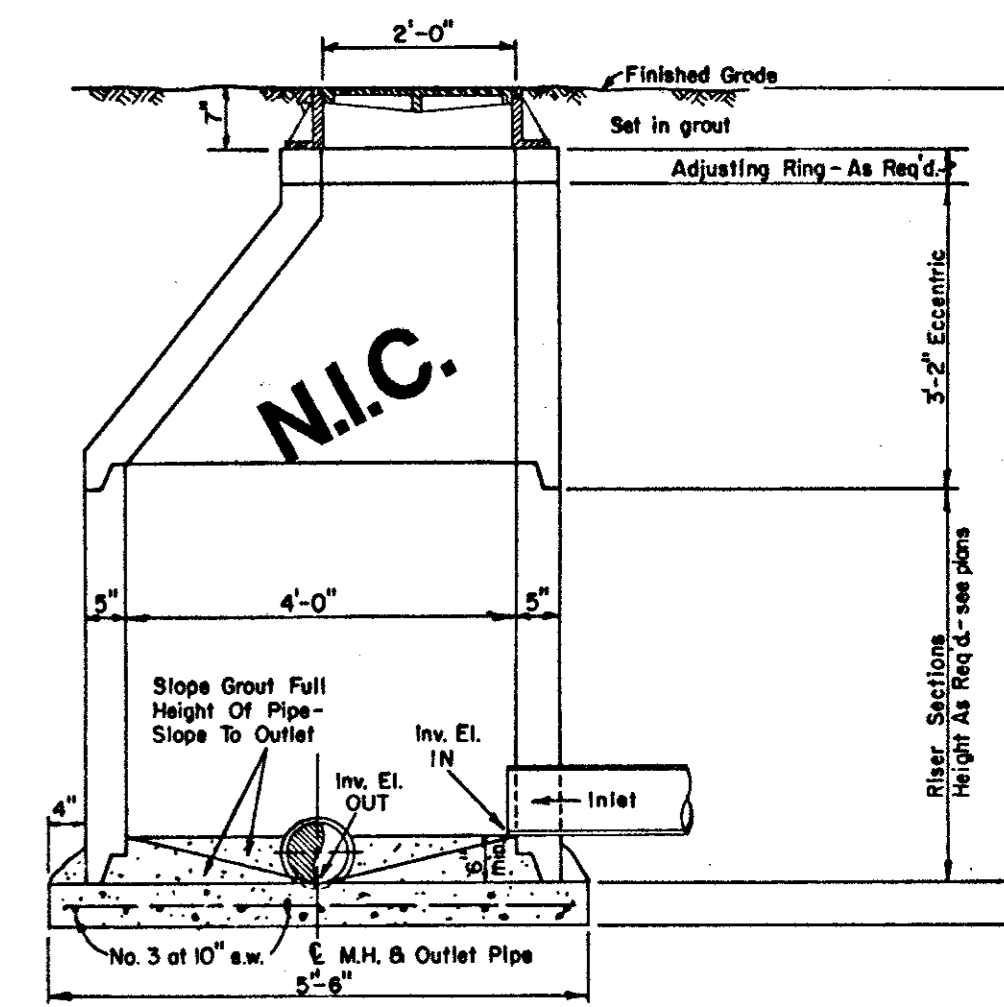


DROP CONNECTIONS FOR
SANITARY SEWER MANHOLES



TYPICAL SEWER
CONNECTION AT MANHOLE

CLASS B Conc. - 2000psi at 28 days (Compressive)



ECCENTRIC MANHOLE DETAIL

NOTE:
Contractor To Install Kor-n-Seal Boot Assembly Per Mfr. Recommendations In A Neat And Workman-Like Manner.

AS BUILT

TOWN OF ADDISON, TEXAS
DEPARTMENT OF ENGINEERING
**STANDARD CONSTRUCTION DETAILS
SANITARY SEWER**
MANHOLES AND CONNECTIONS

Designed - _____ Date - JULY, 1991
Approved - _____ Checked - _____ Scale - _____
Job No. - 90025-3
Sheet D-6 of _____

