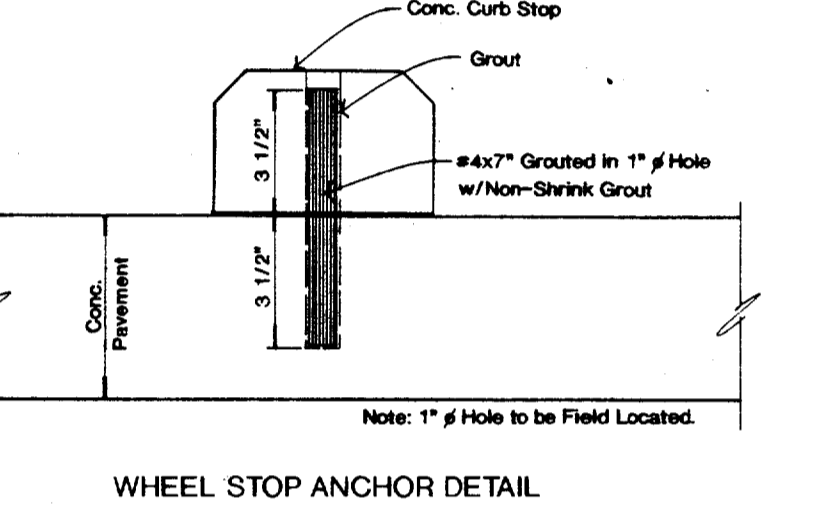
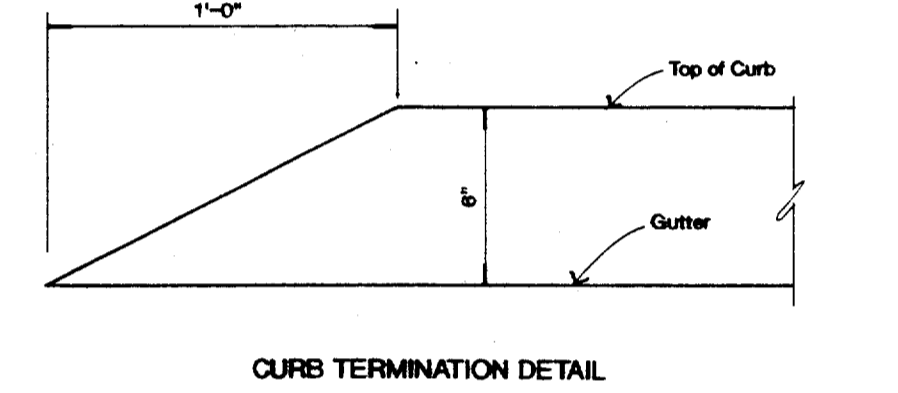
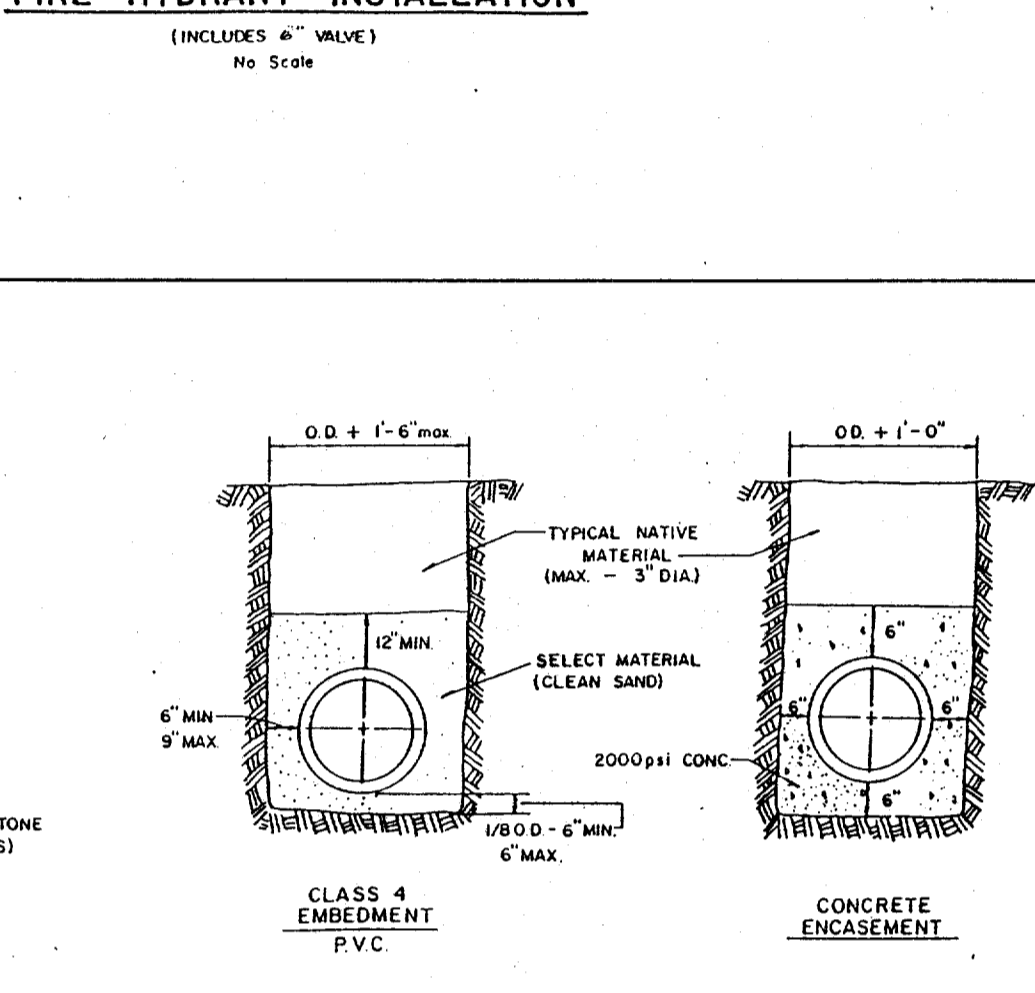
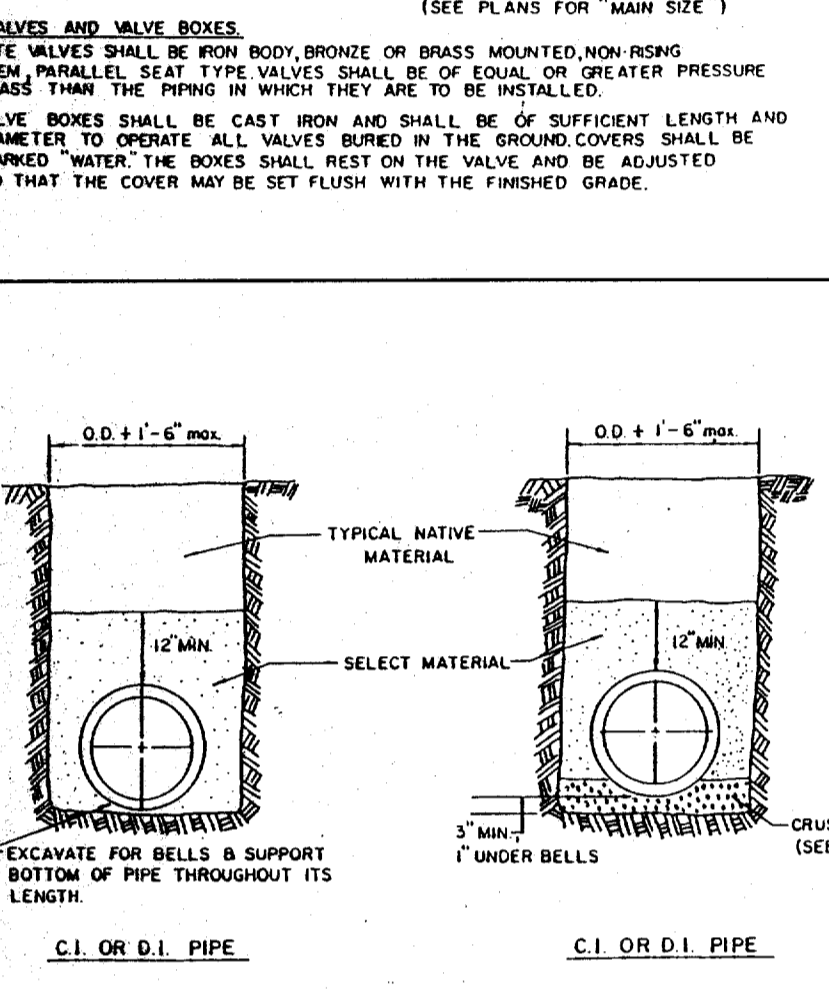
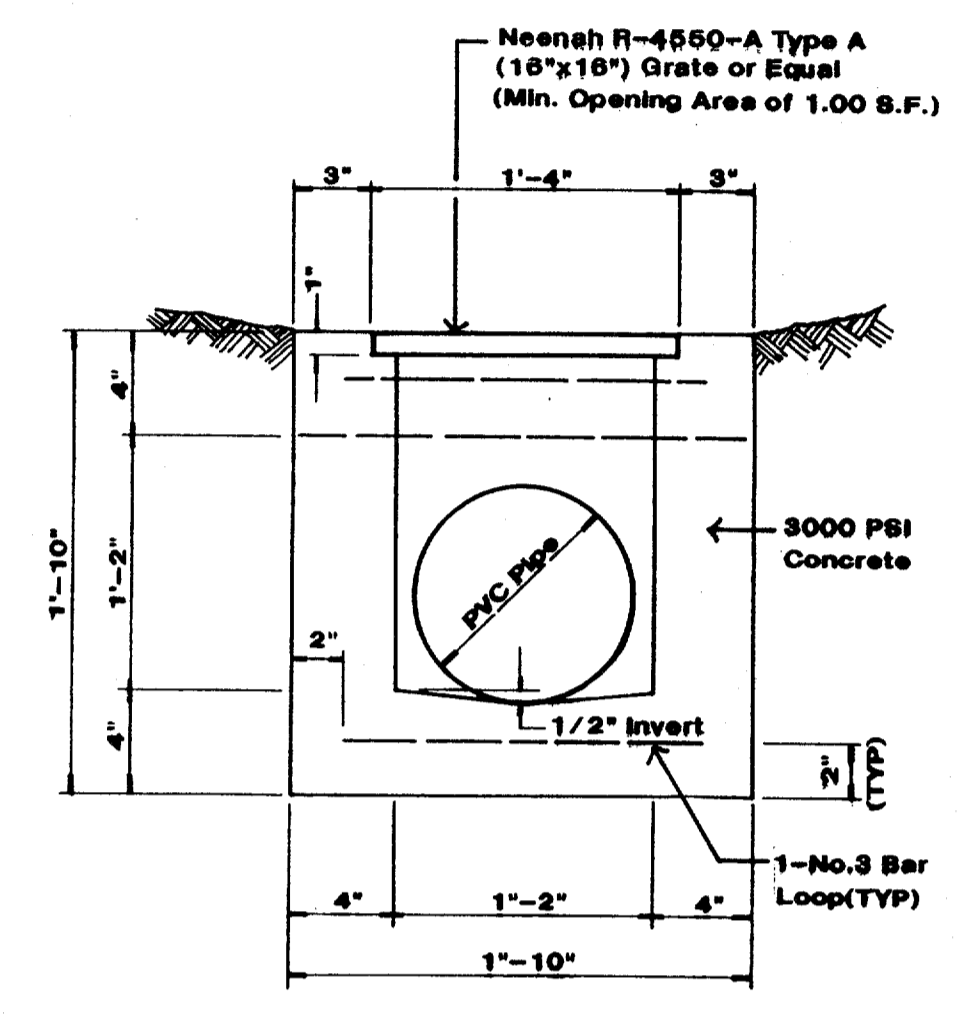
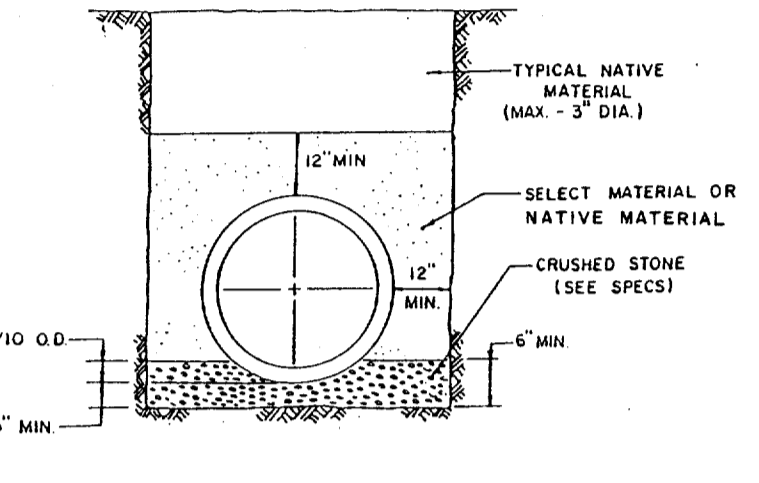
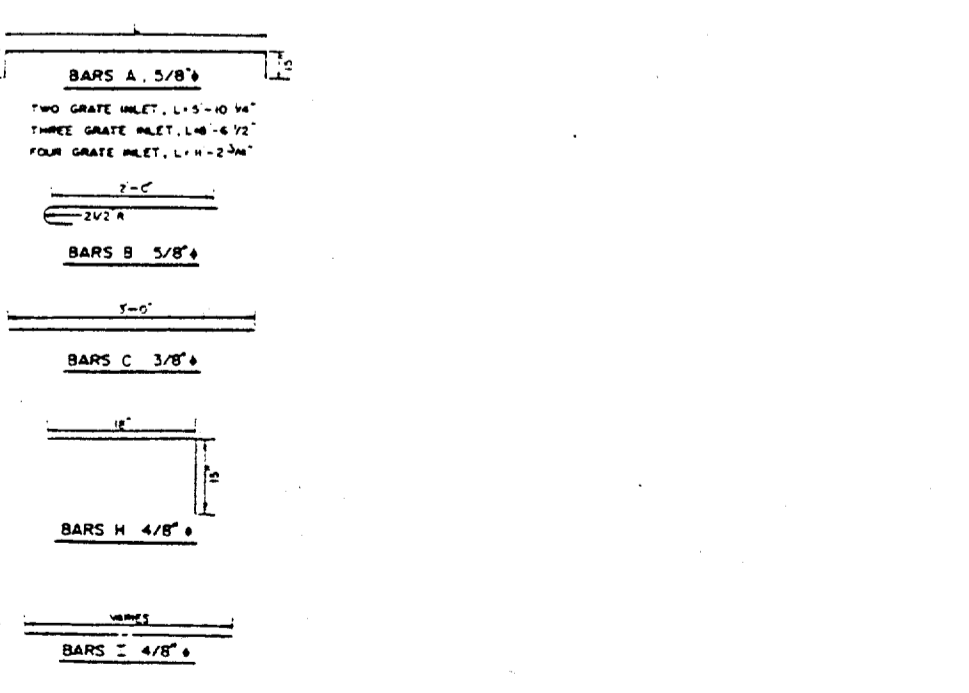
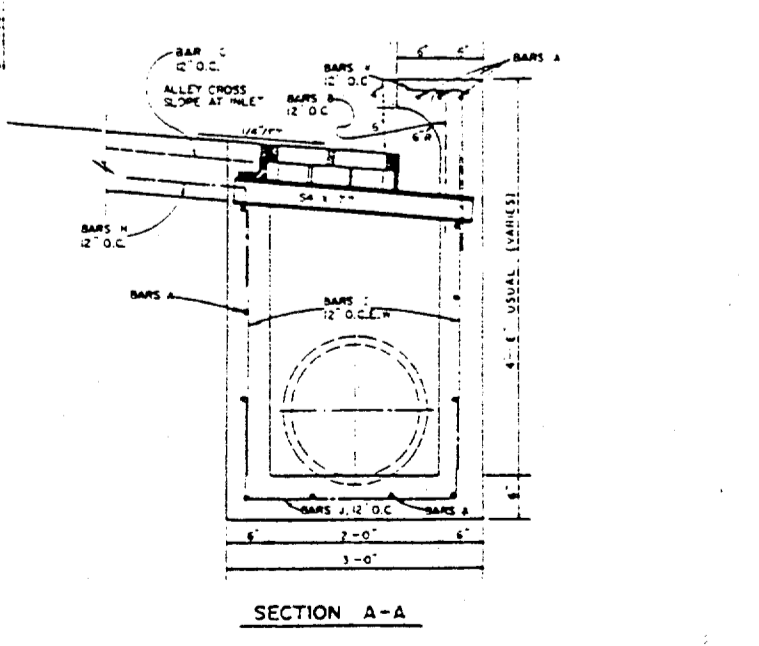
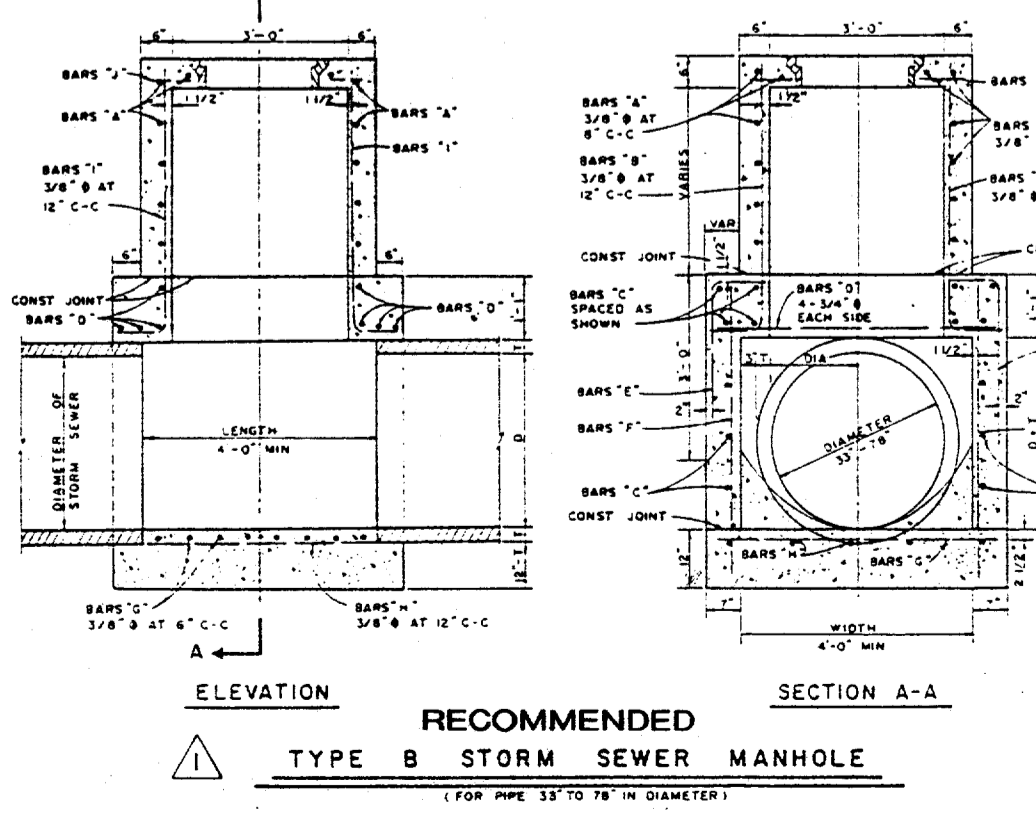
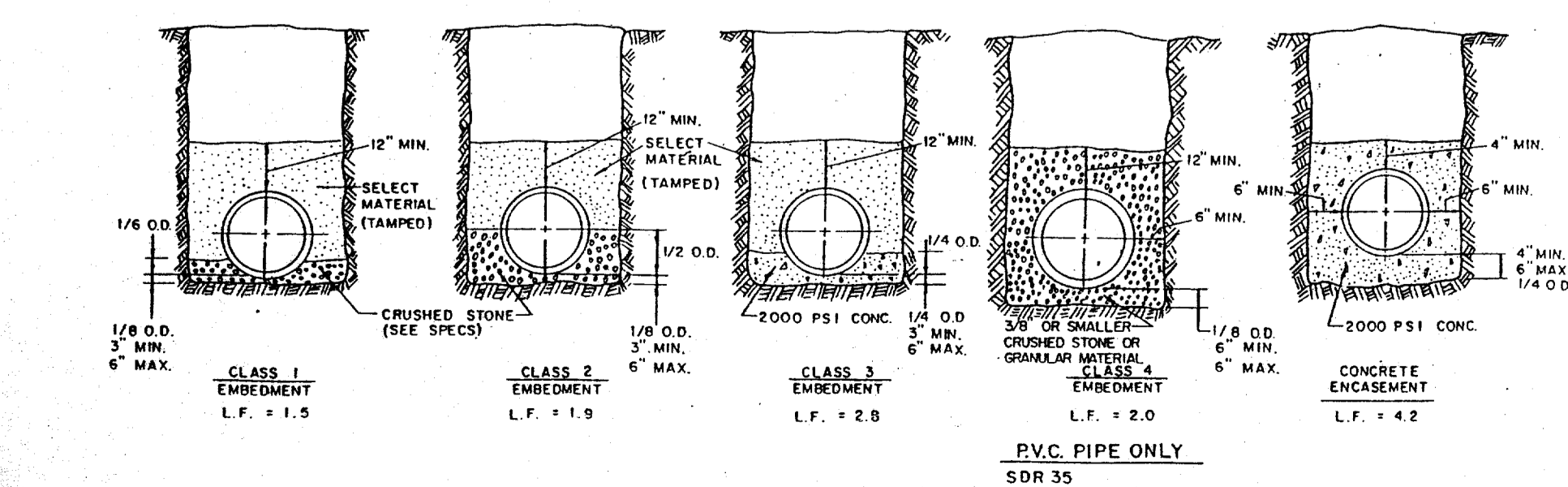
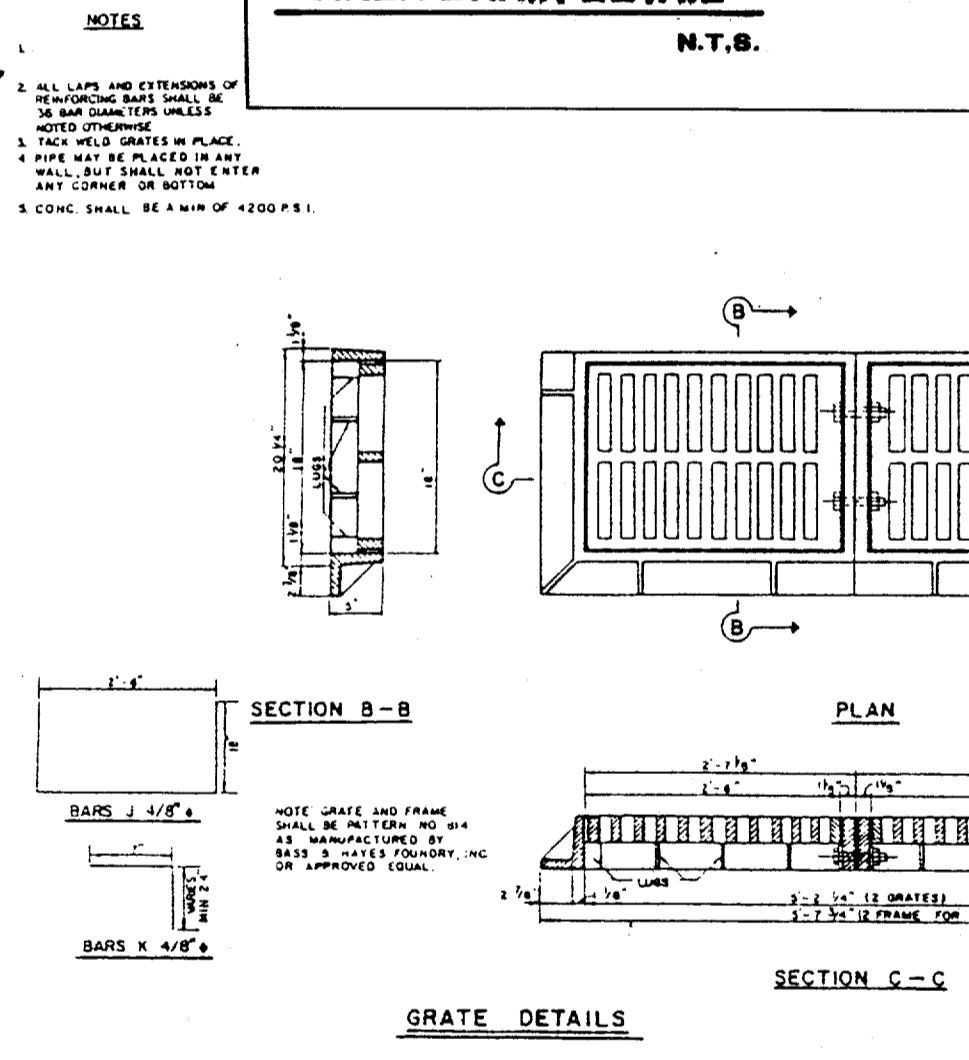
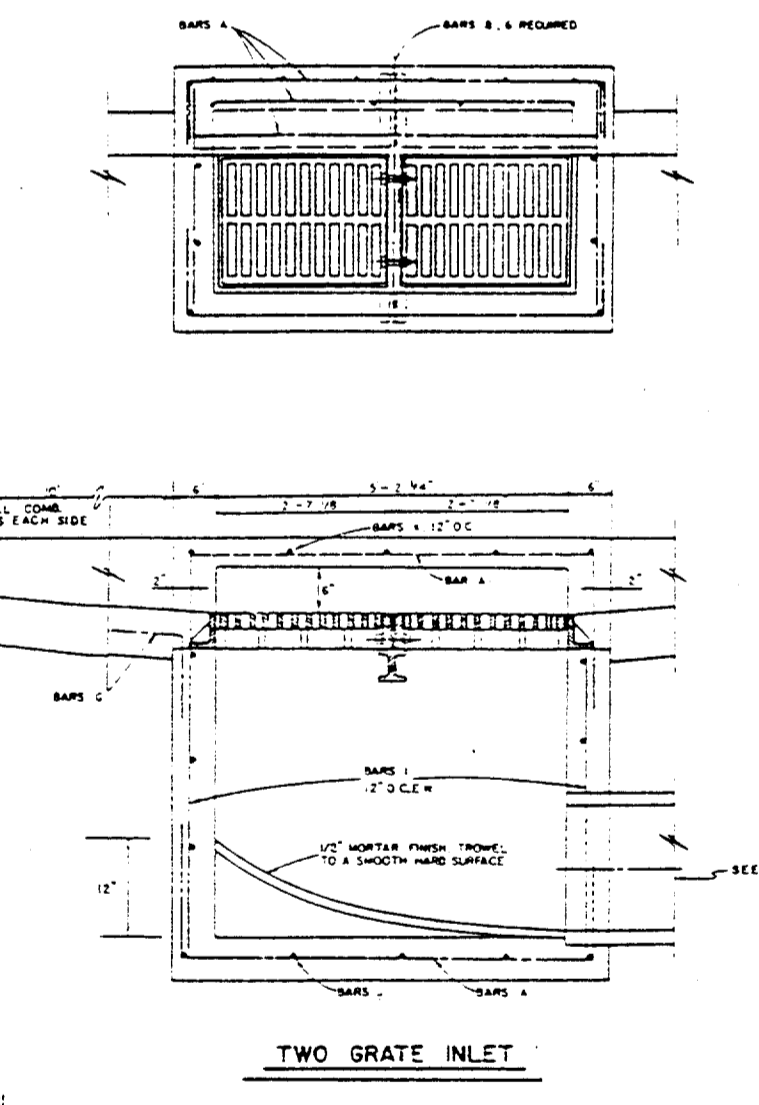
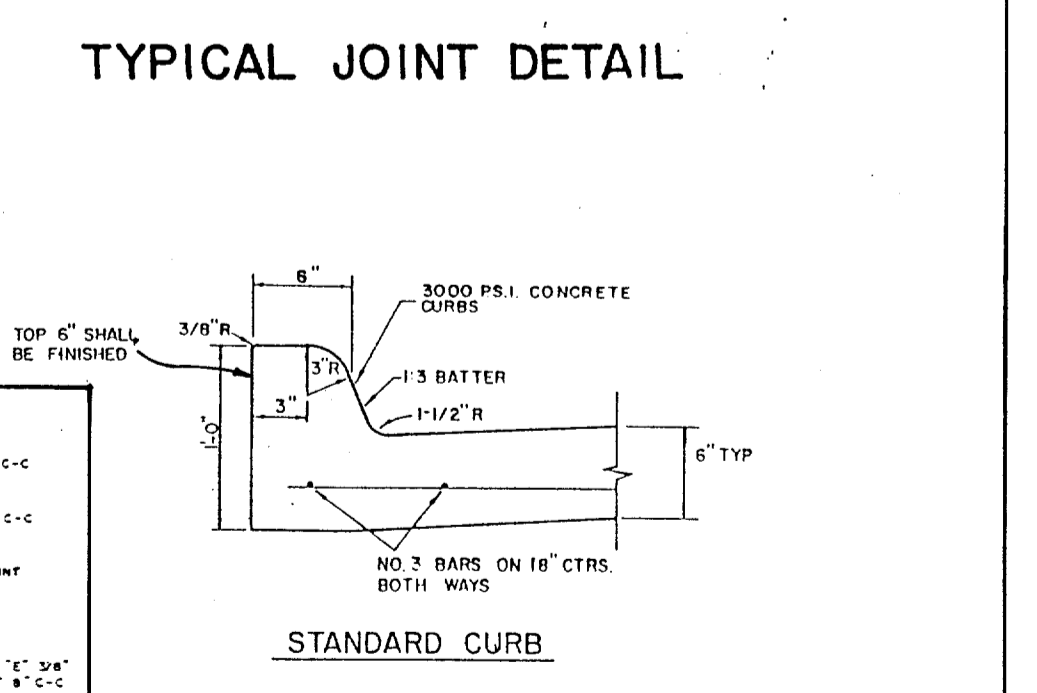
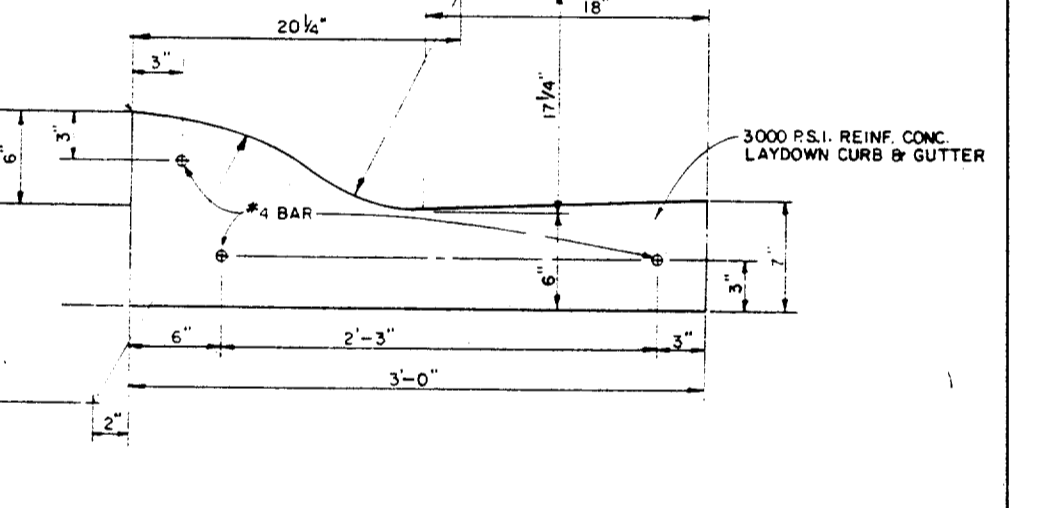
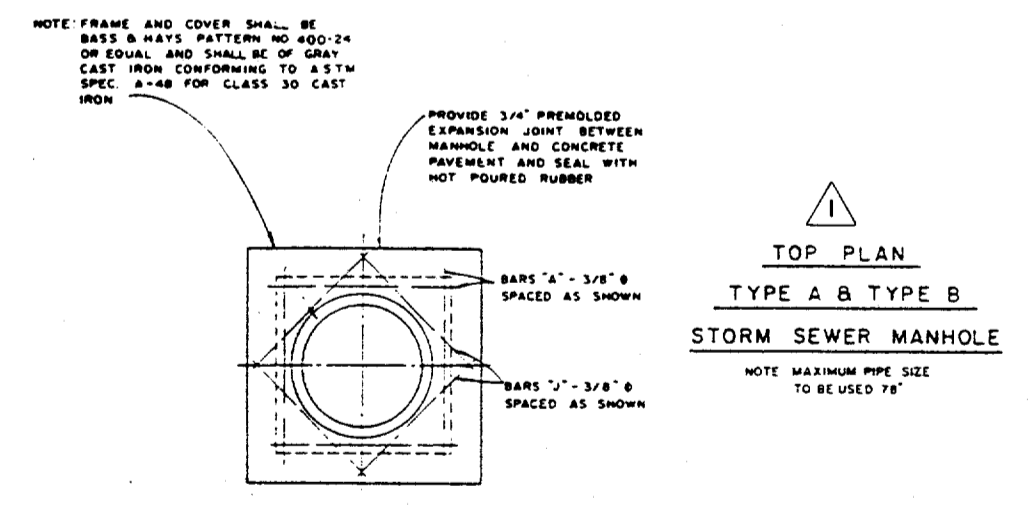
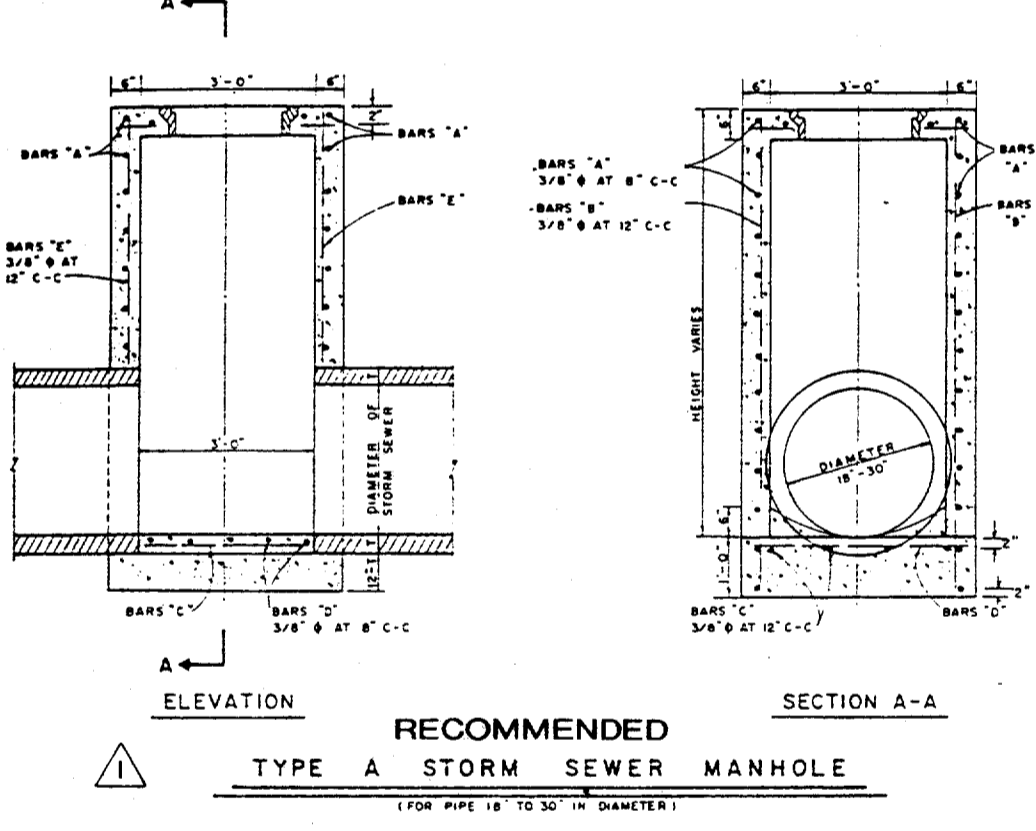
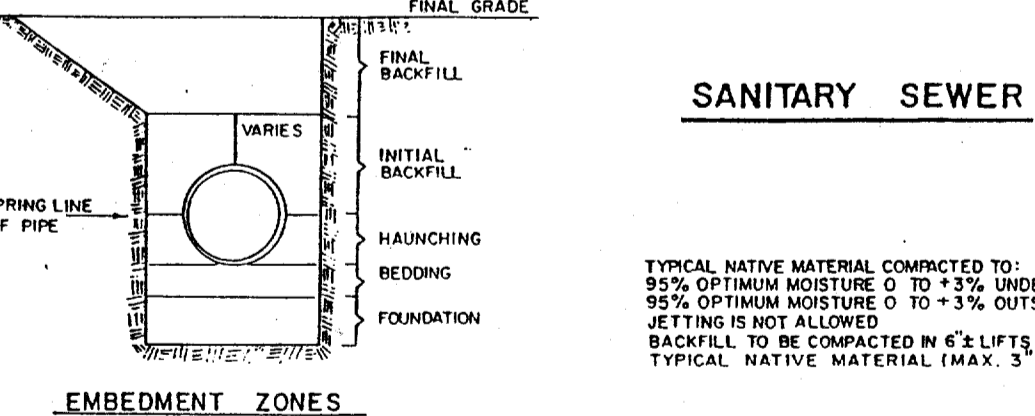
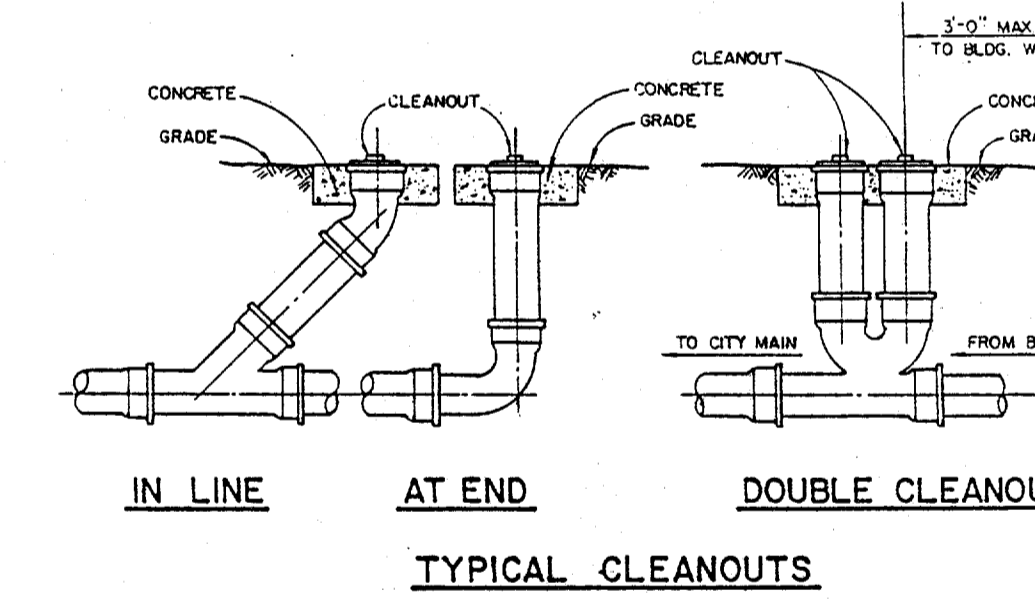
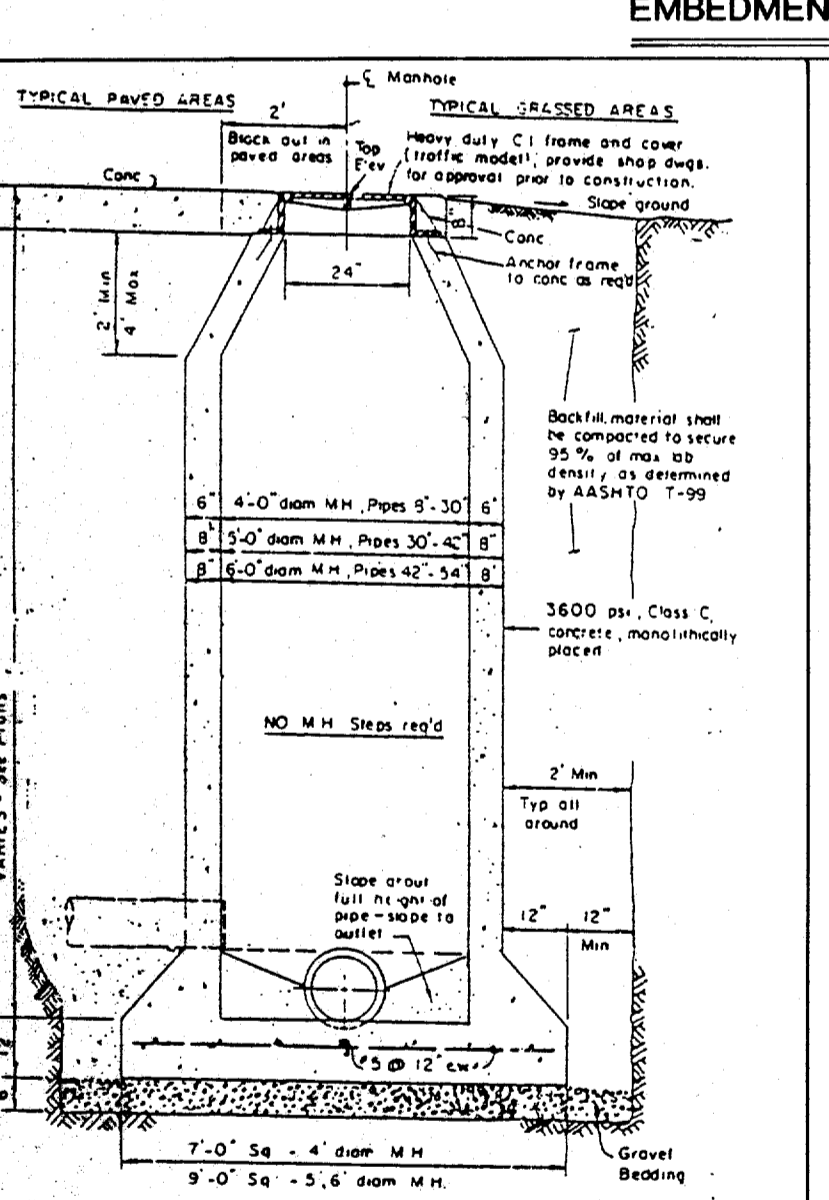


NOTE:
 1. GATE VALVES SHALL BE IN ACCORDANCE WITH AWWA STANDARD C-509-80 OR LATEST THEREOF. ALL VALVES SHALL BE "MULLER" OR APPROVED EQUAL.
 2. A PERMANENTLY ATTACHED VALVE EXTENSION STEM SHALL BE REQUIRED FOR ANY VALVE THATS OPERATING NUT IS LOCATED IN EXCESS OF 4 FEET BELOW THE TOP OF VALVE BOX. THIS EXTENSION SHALL BE OF SUFFICIENT LENGTH TO INSURE THAT ITS TOP IS WITHIN 4\"/>



EMBEDMENT DETAIL FOR RCP STORM SEWER
 (FOR PVC STORM SEWER, USE CLASS 4 EMBEDMENT)

AREA DRAIN DETAIL
 N.T.S.



DATE	DESCRIPTION	REF. NO.
2/01/95	ADDED RECOMMENDED STORM SEWER MANHOLES	
12/28/94	CITY SUBMITTAL	
	REVISIONS & ISSUE DATES	

MISCELLANEOUS DETAILS

THE DOMINION

TOWN OF ADDISON DALLAS COUNTY, TEXAS

CAMDEN PROPERTY TRUST 3200 SOUTHWEST FREEWAY 1500 PHOENIX TOWER HOUSTON, TEXAS 77027	Sheet No. C18 of 18 Project No. 01-1751-03	HUITT ~ ZOLLARS 3131 MCKINNEY AVENUE STE. 600 DALLAS, TEXAS 214-871-3311 DALLAS/FORT WORTH/PHOENIX/HOUSTON
---	---	---