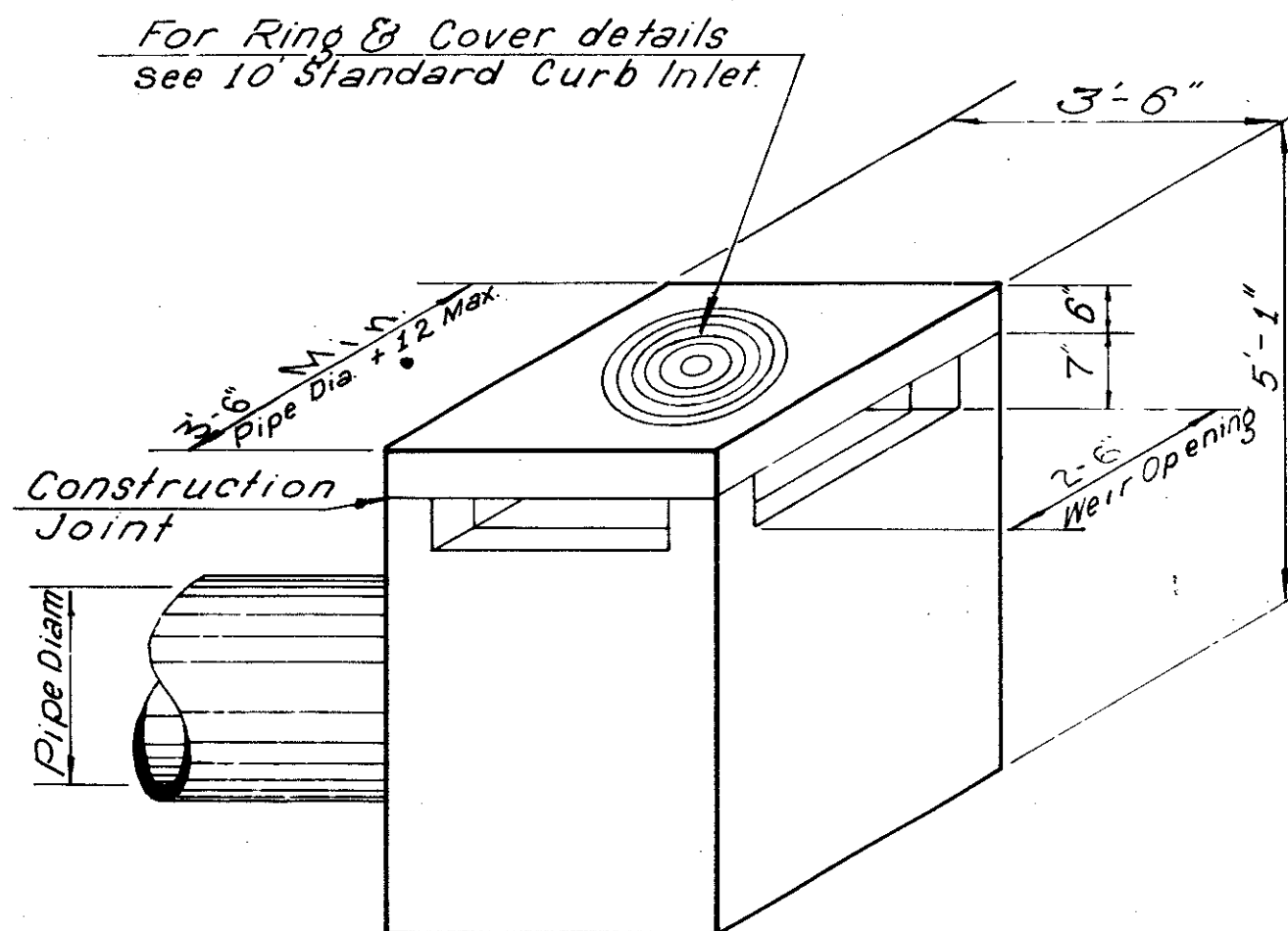
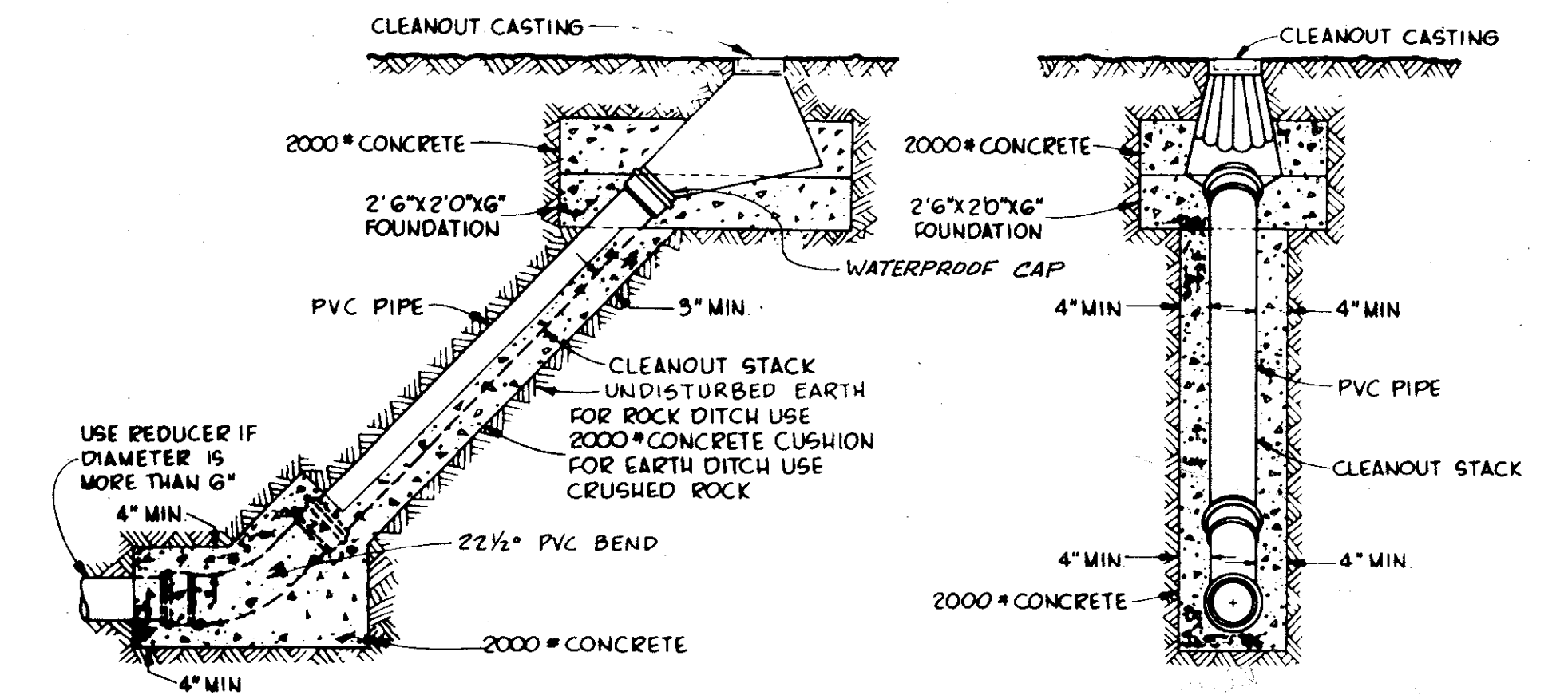
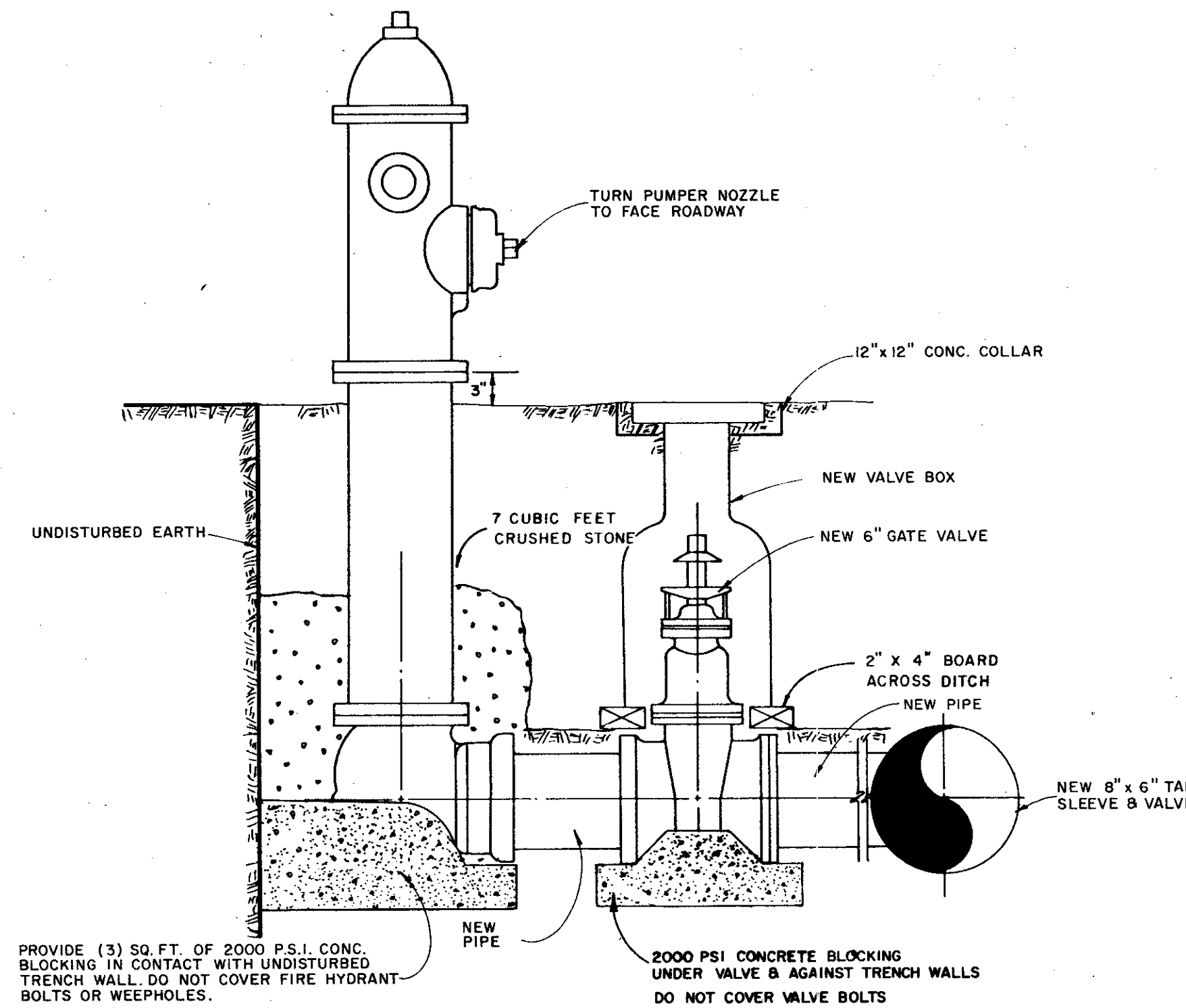


STANDARD CLEANOUT DETAIL USING PVC PIPE

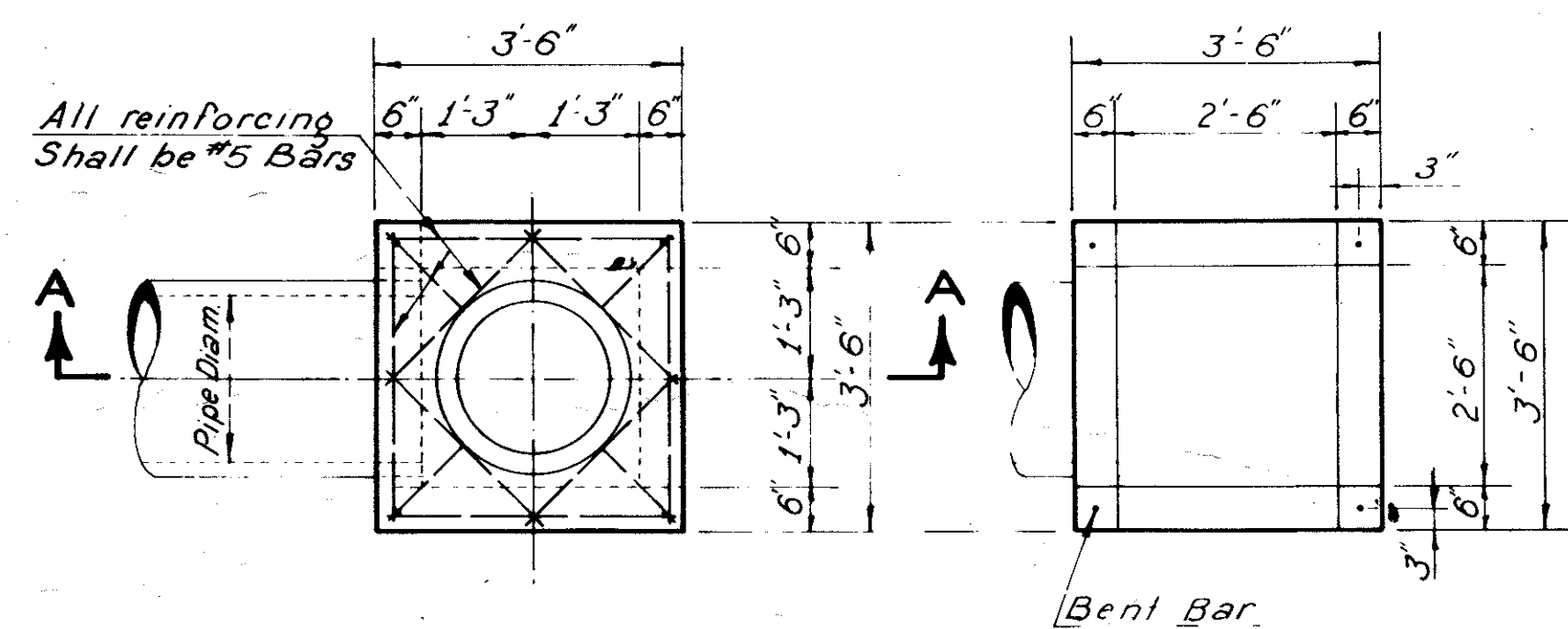


NOTE:
Type "X" Inlet - Weir opening are required on four sides
Type "Y" Inlet - Weir opening are required on two opposite sides

ISOMETRIC DETAIL

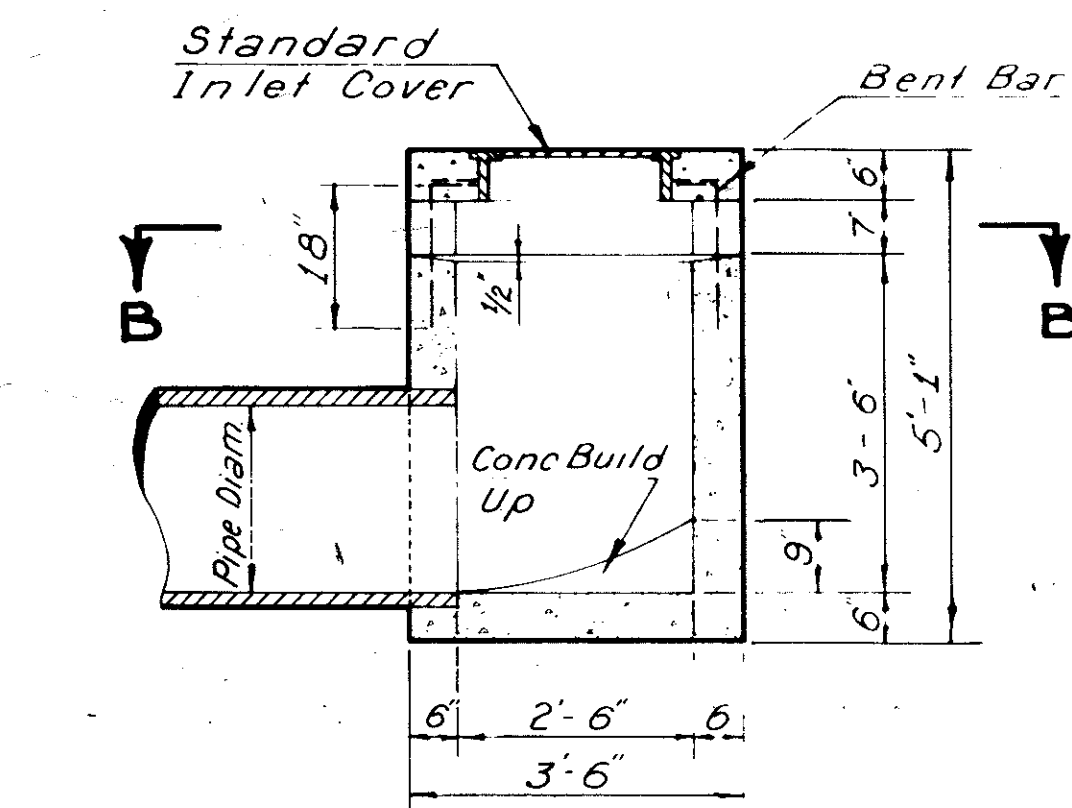


FIRE HYDRANT DETAIL



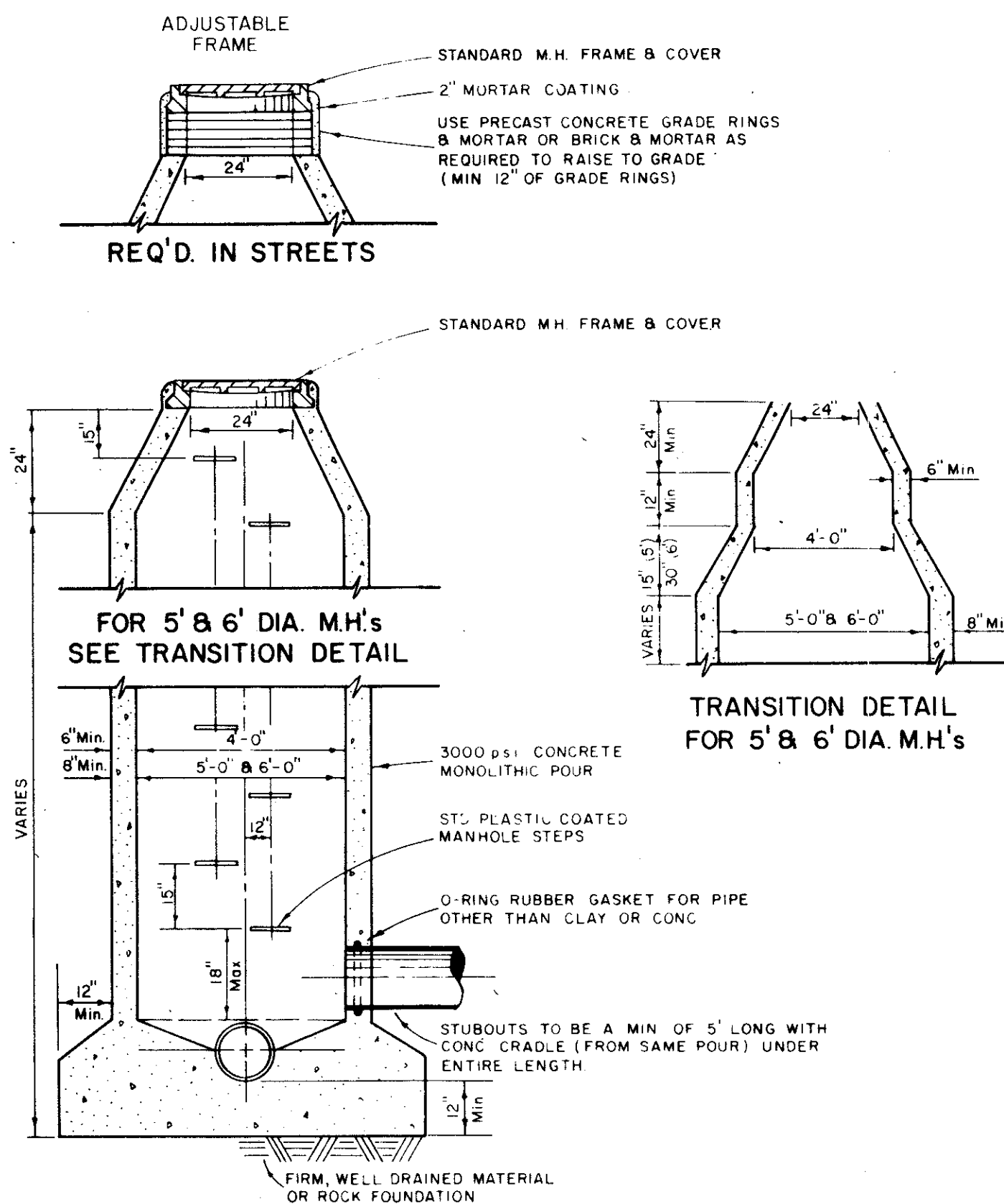
PLAN

SECTION B-B

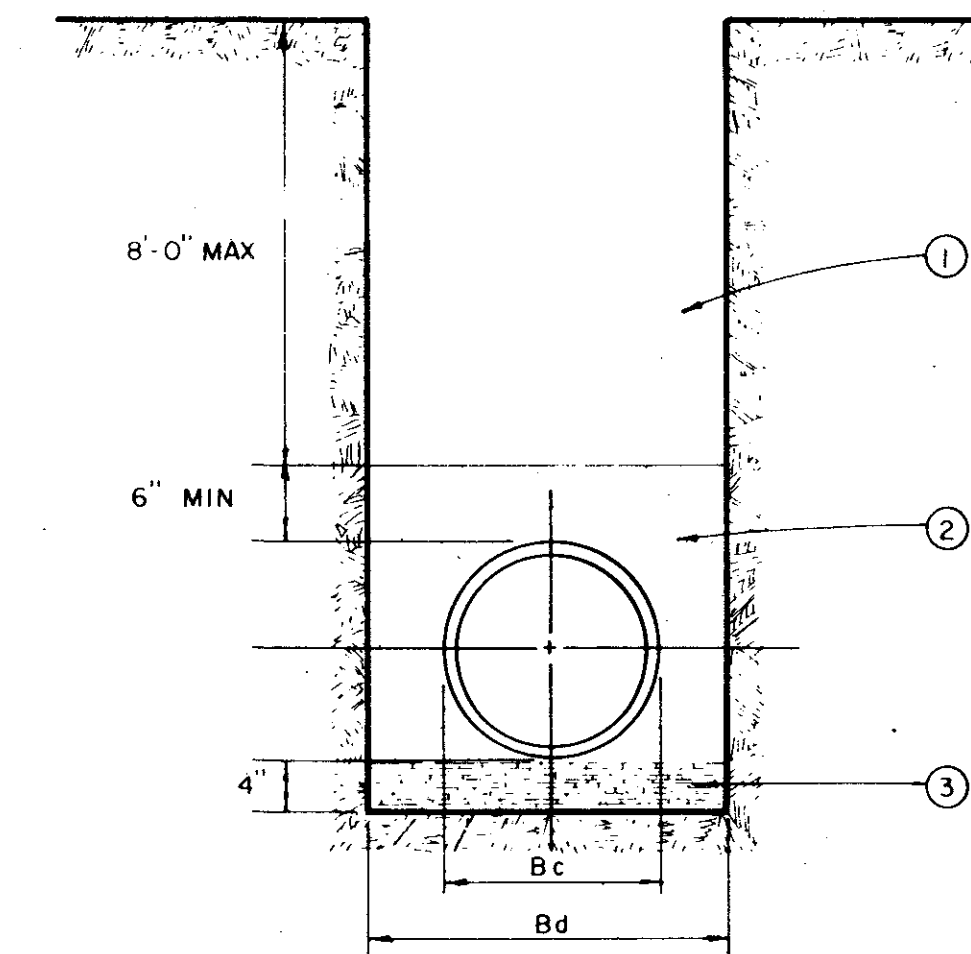


SECTION A-A

STANDARD TYPE "X" & "Y" INLETS
SCALE: 1/2" = 1'-0"



STANDARD CAST-IN-PLACE MANHOLE



CLASS D-1 EMBEDMENT

Bedding Angle = 30°
Load Factor = 1.3
E' = 200
NOT A SEPARATE PAY ITEM

EMBEDMENT MATERIALS

- MATERIAL EXCAVATED FROM TRENCH - MAX. SIZE OF ROCKS, CLODS LUMPS, ETC. LIMITED TO 6" IN GREATEST DIMENSION. COMPACT BY WATER JETTING.
- GRANULAR MATERIAL (FREEFLOW SAND) - SEE SPECIFICATION SECTION 02221. MATERIAL TO BE FREE OF ROCKS, CLODS, LUMPS AND ORGANIC MATERIAL. CAREFULLY SPADE MATERIAL IN PLACE AND COMPACT BY JETTING WITH WATER.
- GRANULAR MATERIAL (FREEFLOW SAND) - SEE SPECIFICATION SECTION 02221. MATERIAL TO BE FREE OF ROCKS, CLODS, LUMPS AND ORGANIC MATERIAL. GRADE TO UNIFORMLY SUPPORT BARREL OF PIPE. EXCAVATE DEPRESSION FOR EACH BELL. LIGHTLY TAMP TO CONSOLIDATE MATERIAL.
- CRUSHED STONE - STANDARD GRADATION, SEE SPECIFICATION SECTION 02221.
- IN ROCK TRENCHES THE MINIMUM UNDERCUT WILL BE 6" EXCEPT WHERE CONCRETE IS TO BE USED.

UTILITY DETAILS	
INLET DETAIL	
NORTH 40 - PHASE II	
ADDISON MUNICIPAL AIRPORT	
Riewe & Wischmeyer, Inc.	DESIGNED T.K.
CONSULTING ENGINEERS	DRAWN R.W.C.
DALLAS, TEXAS	DATE SEPT. 1982
JOB NO. 81-3600	SCALE NO SCALE
	SHEET NO. 8 OF 8

