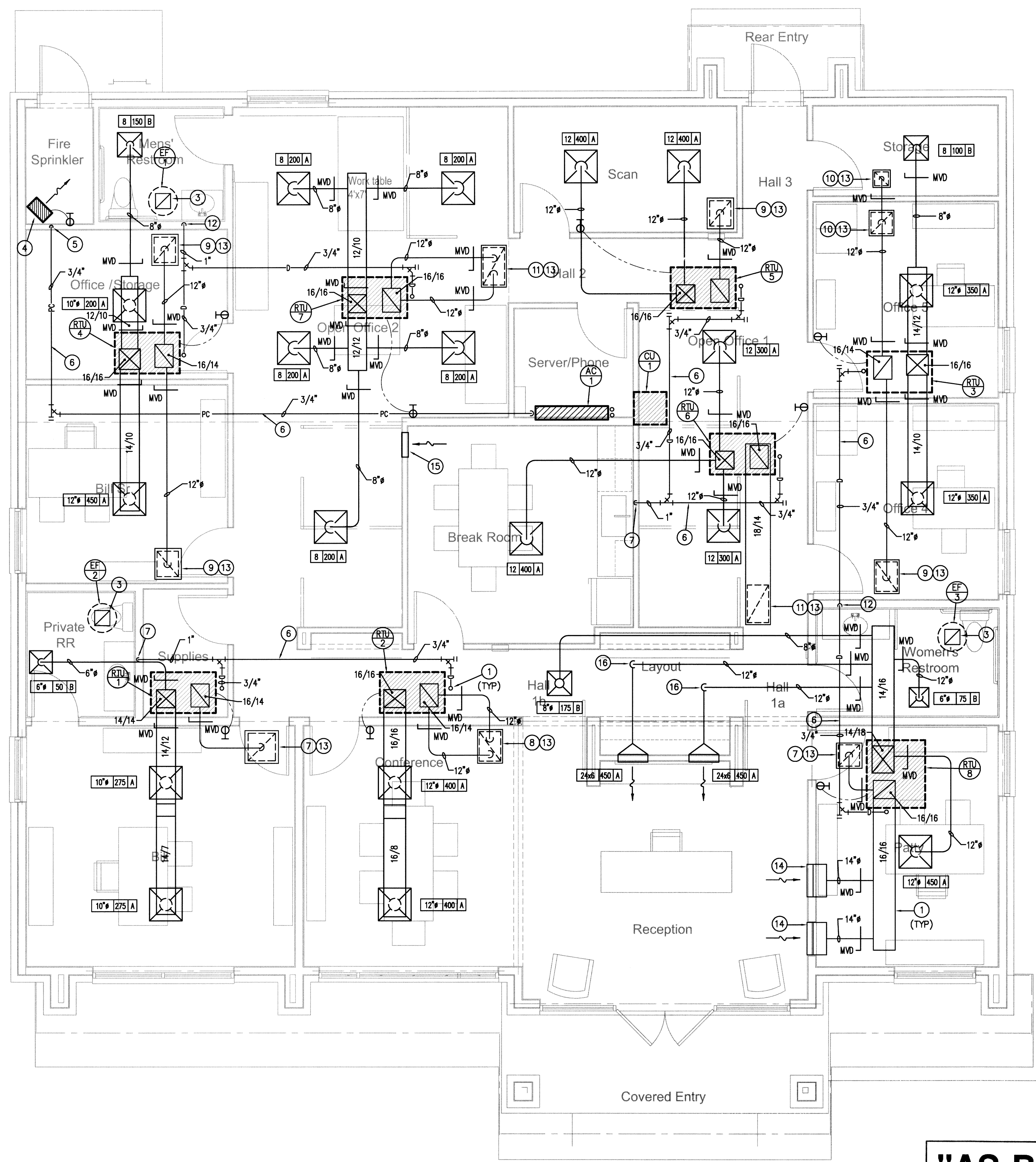


This document is released for the purpose of final review under the authority of G. W. Ridgway, P.E. 25928. It is not to be used for bidding, permit or construction purposes.  
 Date: July 9, 2013

- ### HVAC NOTES BY SYMBOL "O":
- 1 LINE ALL ROUND, RECTANGULAR AND SQUARE, SUPPLY AND RETURN AIR DUCTWORK AND PLENUM WITH 1" THICK DUCT LINER (TYPICAL).
  - 2 CONDENSATE PIPE FROM ROOF - SEE DETAIL 4/M304 (TYPICAL).
  - 3 8"x8" EXHAUST DUCT UP TO FAN ON ROOF. TRANSITION TO FAN BASE.
  - 4 ELECTRIC UNIT HEATER. WALL BRACKET MOUNTED CHROMALOX MODEL MUH, 5KW, 208V/3Ø.
  - 5 CONDENSATE PIPE DOWN TIGHT TO WALL AND OPEN SITE OVER FLOOR SINK. SECURE TO WALL.
  - 6 ROUTE CONDENSATE DRAIN PIPES AS HIGH AS POSSIBLE THRU AND BETWEEN JOIST (TYPICAL).
  - 7 18"x18" DUCT RETURN AIR GRILLE (TYPE 'C').
  - 8 24"x18" DUCT RETURN AIR GRILLE (TYPE 'C').
  - 9 18"x12" DUCT RETURN AIR GRILLE (TYPE 'C').
  - 10 12"x12" DUCT RETURN AIR GRILLE (TYPE 'C').
  - 11 30"x16" DUCT RETURN AIR GRILLE (TYPE 'C').
  - 12 CONDENSATE DRAIN PIPE DOWN IN WALL AND CONNECT TO LAVATORY/SINK TRAP ADAPTER FITTING.
  - 13 SET RETURN AIR GRILLE FLUSH WITH BOTTOM OF JOIST.
  - 14 24"x12" WALL RETURN AIR GRILLE (TYPE 'E').
  - 15 18"x18" WALL TRANSFER GRILLE (TYPE 'E').
  - 16 DROP DOWN TO BELOW JOIST.
  - 17 ENCLOSE SUPPLY AND RETURN AIR DUCT WITH TWO LAYERS OF 5/8" SHEET ROCK. LINE ENCLOSURE WITH 2" THICK DUCT LINER. SEAL SHEET ROCK TO ROOF DECK (TYPICAL FOR ALL UNITS).

- ### MECHANICAL GENERAL NOTES
1. COORDINATE WITH THE WORK OF OTHER SECTIONS, EQUIPMENT FURNISHED BY OTHERS, REQUIREMENTS OF THE OWNER AND WITH THE CONSTRAINTS OF THE EXISTING CONDITIONS OF THE PROJECT SITE. PROVIDE DUCT RISES AND DROPS AS REQUIRED FOR FIELD INSTALLATION AND TRADE COORDINATION. NOTIFY ARCHITECT OF ANY DISCREPANCIES BEFORE STARTING WORK.
  2. DRAWINGS FOR HVAC WORK ARE DIAGRAMMATIC, SHOWING THE GENERAL LOCATION, TYPE, LAYOUT AND EQUIPMENT REQUIRED. THE DRAWINGS SHALL NOT BE SCALED FOR EXACT MEASUREMENT. REFER TO ARCHITECTURAL DRAWINGS FOR DIMENSIONS. REFER TO MANUFACTURER'S STANDARD INSTALLATION REQUIREMENTS FOR EQUIPMENT CONNECTIONS AND INSTALLATION REQUIREMENTS. PROVIDE DUCTWORK, CONNECTIONS, ACCESSORIES, OFFSETS AND MATERIALS NECESSARY FOR A COMPLETE SYSTEM. SUBMIT SHOP DRAWINGS PER THE SPECIFICATIONS.
  3. ALL WORK SHALL COMPLY WITH STATE AND LOCAL CODE REQUIREMENTS AS APPROVED AND AMENDED BY THE GOVERNING CITY, INCLUDING APPLICABLE SECTIONS OF NFPA, OSHA OR ANY INTERIM AMENDMENTS AT THE TIME OF THE PROPOSAL. PURCHASE ALL PERMITS ASSOCIATED WITH THE WORK. OBTAIN ALL INSPECTIONS REQUIRED BY CODE.
  4. REFER TO THE SPECIFICATIONS FOR ADDITIONAL REQUIREMENTS NOT SHOWN ON THE DRAWINGS.
  5. PROVIDE OFFSETS AND TRANSITIONS AS REQUIRED. COORDINATE WITH OTHER TRADES AND STRUCTURAL.
  6. ALL DUCT SIZES SHOWN ARE CLEAR AIR STREAM DIMENSIONS. ADJUST SIZES TO ACCOMMODATE INSULATION.
  7. PROVIDE A FLEXIBLE CONNECTION AT THE INTAKE AND DISCHARGE OF ALL MOTOR DRIVEN EQUIPMENT.
  8. REFER TO AND COORDINATE WITH STRUCTURAL FOR EXACT ROOF AND FLOOR PENETRATIONS.
  9. CEILING DIFFUSER SUPPLY DUCT SIZE SHALL BE SAME SIZE AS NECK SIZE SHOWN.
  10. LABEL ALL AIR VOLUME DAMPERS ON OUTSIDE OF DUCT INSULATION.
  11. ALL SIZES SHOWN ON PLANS ARE IN INCHES, UNLESS OTHERWISE NOTED.
  12. [10] 250 [A] INDICATES DIFFUSER NECK SIZE, CFM AND TYPE.
  13. PROVIDE MANUAL VOLUME DAMPER (TYPICAL) AT ALL SUPPLY, OUTSIDE AIR, RETURNS AND EXHAUST BRANCH DUCTS.
  14. ALL THERMOSTATS TO HAVE LOCKING METAL COVERS.
  15. ALL UNITS TO MEET OR EXCEED MINIMUM EER RATINGS OF THE LATEST STATE COMMERCIAL ENERGY CODE.



**"AS-BUILT"**

North  
 1 Floor Plan - HVAC  
 Scale: 1/4" = 1'-0"

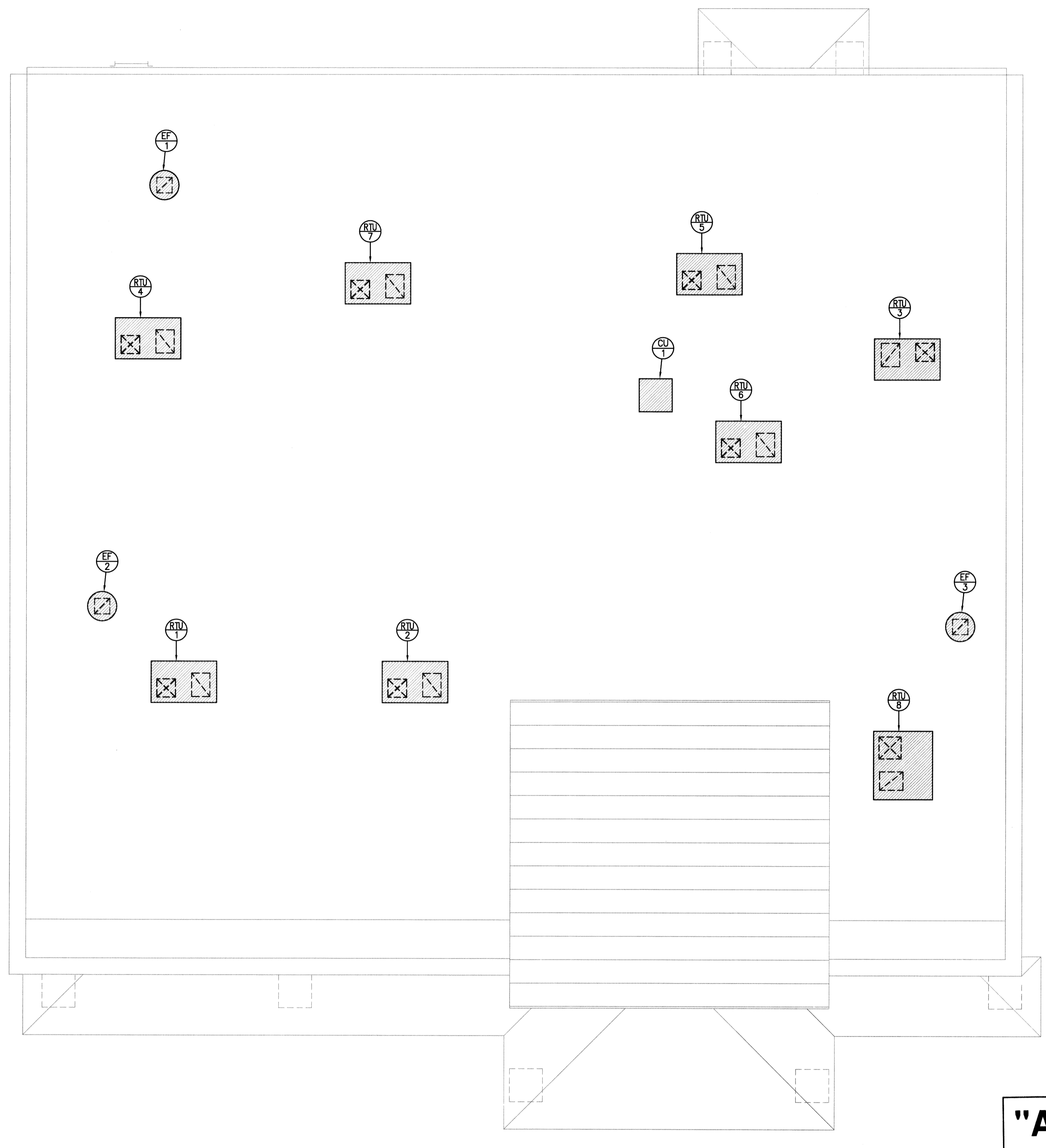
11520 N. Central Exp.  
 Suite 112  
 Dallas, Texas 75243  
 Phone: (214) 382-5300  
 Fax: (214) 382-5303  
 Web: gvbarchitects.com  
 Email: guy@gvbarchitects.com

Office Building  
 Dallas Aerial Survey  
 4397 Westgrove Drive Addison, Texas 75001  
 Website: www.dasmaps.com

This document is released for the purpose of final review under the authority of G. W. Ridgway, P.E. 25928. It is not to be used for bidding, permit or construction purposes.  
 Date: July 9, 2013

11520 N. Central Expy  
 Suite 112  
 Dallas, Texas 75243  
 Phone: (214) 382-5300  
 Fax: (214) 382-5303  
 Web: gvbarchitects.com  
 Email: guy@gvbarchitects.com

- HVAC NOTES BY SYMBOL "O":**
- ① LINE ALL ROUND, RECTANGULAR AND SQUARE, SUPPLY AND RETURN AIR DUCTWORK AND PLENUM WITH 1" THICK DUCT LINER (TYPICAL).
  - ② CONDENSATE PIPE FROM ROOF - SEE DETAIL 4/M304 (TYPICAL).
  - ③ 8"x8" EXHAUST DUCT UP TO FAN ON ROOF. TRANSITION TO FAN BASE.
  - ④ ELECTRIC UNIT HEATER. WALL BRACKET MOUNTED CHROMALOX MODEL MUH, 5KW, 208V/3Ø.
  - ⑤ CONDENSATE PIPE DOWN TIGHT TO WALL AND OPEN SITE OVER FLOOR SINK. SECURE TO WALL.
  - ⑥ ROUTE CONDENSATE DRAIN PIPES AS HIGH AS POSSIBLE THRU AND BETWEEN JOIST (TYPICAL).
  - ⑦ 18"x18" DUCT RETURN AIR GRILLE (TYPE 'C').
  - ⑧ 24"x18" DUCT RETURN AIR GRILLE (TYPE 'C').
  - ⑨ 18"x12" DUCT RETURN AIR GRILLE (TYPE 'C').
  - ⑩ 12"x12" DUCT RETURN AIR GRILLE (TYPE 'C').
  - ⑪ 30"x16" DUCT RETURN AIR GRILLE (TYPE 'C').
  - ⑫ CONDENSATE DRAIN PIPE DOWN IN WALL AND CONNECT TO LAVATORY/SINK TRAP ADAPTER FITTING.
  - ⑬ SET RETURN AIR GRILLE FLUSH WITH BOTTOM OF JOIST.
  - ⑭ 24"x12" WALL RETURN AIR GRILLE (TYPE 'E').
  - ⑮ 18"x18" WALL TRANSFER GRILLE (TYPE 'E').
  - ⑯ DROP DOWN TO BELOW JOIST.
  - ⑰ ENCLOSE SUPPLY AND RETURN AIR DUCT WITH TWO LAYERS OF 5/8" SHEET ROCK. LINE ENCLOSURE WITH 2" THICK DCUT LINER. SEAL SHEET ROCK TO ROOF DECK (TYPICAL FOR ALL UNITS).



**"AS-BUILT"**



1 Roof Plan - HVAC  
 Scale: 1/4" = 1'-0"

Office Building  
 Dallas Aerial Survey  
 4397 Westgrove Drive Addison, Texas 75001  
 Website: www.gasmaps.com

Sheet No.  
**M1.2**  
 Of Sheets

This document is released for the purpose of final review under the authority of G. W. Ridgway, P.E. 25928. It is not to be used for bidding, permit or construction purposes.  
 Date: July 9, 2013

11520 N. Central Exp.  
 Suite 112  
 Dallas, Texas 75243  
 Phone: (214) 382-5300  
 Fax: (214) 382-5303  
 Web: gvbarchitects.com  
 Email: guy@gvbarchitects.com

PACKAGE ROOFTOP UNIT SCHEDULE						
	DESIGNATION	RTU-1 THRU RTU-5	RTU-6 AND RTU-7	RTU-8		
COOLING COIL	CFM (EACH)	800	1000	1600		
	MAX. O.A. (EACH)	①	①	100		
	MIN. O.A. (EACH)	①	①	100		
	TOTAL HEAT (BTU)	21,000	26,000	39,600		
	SENSIBLE HEAT (BTU)	15,900	20,600	31,600		
	ENT. AIR - DB/WB °F.	80/67	80/67	80/67		
	AMBIENT TEMP. °F.	105	105	105		
	WEIGHT OF UNIT (LBS)	600	600	800		
	CARRIER MODEL NUMBER	48ESA24040	48ESA30040	48ESA48060		
	HEATING	HEATING INPUT (BTUH)	40,000	40,000	60,000	
HEATING OUTPUT (BTUH)		32,000	32,000	48,000		
FUEL		NAT. GAS	NAT. GAS	NAT. GAS		
FAN MOTOR	EXT. S.P.	0.40	0.40	0.60		
	HORSEPOWER	1/2	1/2	1.0		
	RPM	1750	1750	1750		
	VOLT/PHASE	240/1	240/1	240/1		
	MCA	21.3	15.8	25.9		
MIN. SEER MINIMUM	13.0	13.0	13.0			
FILTERS	THICKNESS	2"	2"	2"		
	TYPE	T/A	T/A	T/A		
	MAX. FACE VEL. FT/MIN	500	500	500		

① RTU-1 = 75 CFM RTU-3 = 60 CFM RTU-5 = 50 CFM RTU-7 = 200 CFM  
 RTU-2 = 120 CFM RTU-4 = 60 CFM RTU-6 = 200 CFM

**GENERAL NOTES:**

- ALL UNITS TO BE FURNISHED WITH FACTORY INSTALLED UNIT MOUNTED NON-FUSED DISCONNECT SWITCH - ACCESSIBLE OUTSIDE UNIT.
- ALL UNITS TO BE FURNISHED WITH FACTORY INSTALLED CONVENIENCE OUTLET. UNIT SHALL INCLUDE 15A. GFI RECEPTACLE, FACTORY INSTALLED TRANSFORMER AND SHALL BE ACCESSIBLE OUTSIDE UNIT.
- ALL UNITS TO MEET OR EXCEED MINIMUM EER RATINGS OF THE LATEST STATE COMMERCIAL ENERGY CODE.
- ALL UNITS TO BE ASHRAE 90.1 COMPLIANT.
- ALL UNIT TO BE FURNISHED WITH 410A. REFRIGERANT.
- ALL UNITS TO HAVE HAIL GUARDS.
- ALL UNITS TO HAVE LOW AMBIENT CONTROLS.
- ALL UNITS TO HAVE PROGRAMMABLE THERMOSTATS.

DUCTLESS SPLIT SYSTEM A.C. UNIT SCHEDULE		
	DESIGNATION	AC-1
INDOOR UNIT	MANUFACTURER/MODEL	CARRIER 40QNQ024-3
	SERVE	SERVER/PHONE ROOM
	SEER	13.0
	TYPE	WALL MOUNTED UNIT
	AIRFLOW/CFM	525
	BTUH COOLING	22,800
	BTUH HEATING	22,000
	MIN. AMPACITY, AMPS	0.48
	VOLT/PHASE	208/1
	WEIGHT, LBS.	31
NOTES:	1	
DESIGNATION	CU-1	
OUTDOOR UNIT	MANUFACTURER/MODEL	CARRIER 38QRF024-3
	BTUH HEATING	22,000
	MIN. AMPACITY, AMPS	16.8
	MAX. FUSE SIZE, AMPS	25.0
	VOLT/PHASE	240/1
	WEIGHT, LBS.	176
NOTES:	2&3	

**GENERAL NOTES:**

- PROVIDE WALL MOUNTED THERMOSTAT.
- REFRIGERANT PIPING PER MANUFACTURERS RECOMMENDATIONS.
- PROVIDE LOW AMBIENT CONTROL PACKAGE TO OPERATE DOWN TO 20°F AMBIENT.

FAN SCHEDULE													
DESIG.	SERVICE	LOCATION	CFM (EACH)	S.P. IN W.G.	TIP SPEED (FPM)	DRIVE	MOTOR DATA				TYPE	DISCH.	REMARKS
							H.P.	RPM	VOLT/Ø	STARTER			
EF-1, EF-2 & EF-3	TOILET EXHAUST	ROOF	150	1/4	3000	DIRECT	1/10	1550	120/1	-	CENTRI	DOWN	① ② ③

① ROOF CENTRIFUGAL WITH B.D. DAMPER, D.C. SWITCH AND BIRDSCREEN.  
 ② PREFABRICATED FACTORY ROOF CURB, FOR SLOPING ROOF.  
 ③ SOLID STATE SPEED CONTROLLER.

BUILDING AIR BALANCE SCHEDULE		
IDENT. TYPE	OUTSIDE AIR (CFM)	EXHAUST AIR (CFM)
ROOFTOP A.C. UNITS	875	-
BUILDING EXHAUST	-	450

MECHANICAL SYMBOLS LEGEND	
ALL SYMBOLS NOT NECESSARILY USED	
SYMBOL	DESCRIPTION
----	COLD WATER
----	DOMESTIC HOT WATER
----	DOMESTIC HOT WATER RETURN
W	DOMESTIC WATER OUTSIDE
D	CONDENSATE DRAIN
G	NATURAL GAS
----	WASTE
----	VENT
F	FIRE SPRINKLER PIPE
⊗	GATE VALVE
⊕	CHECK VALVE
⊖	BALANCE COCK
⊘	STRAINER
⊙	UNION
⊚	SENSOR/THERMOSTAT
⊛	THERMOMETER
⊜	GAUGE COCK
⊝	HOSE BIBB
⊞	WALL HYDRANT
⊟	BOX HYDRANT
⊠	MOTORIZED DAMPER
⊡	FLEXIBLE DUCTWORK
EDH	ELECTRIC DUCT HEATER
MVD	MANUAL VOLUME DAMPER
FD	FLOOR DRAIN
HD	HUB DRAIN
VTR	VENT THRU ROOF
WCO	WALL CLEAN OUT
FCO	FLOOR CLEAN OUT
GCO	GRADE CLEAN OUT
PC	PUMPED CONDENSATE

GRILLES, REGISTERS, AND DIFFUSERS									
DESIG.	DESCRIPTION	TYPE	MATERIAL	FINISH	N.C.	OPPOSED BLADE DAMPER	EQUALIZING GRID	MFG./MODEL	REMARKS:
'A'	SUPPLY DIFFUSER	DUCT MOUNT	STEEL	WHITE	30	NO	NO	TITUS/TMS	24x24 LOUVER FACE
'B'	SUPPLY DIFFUSER	DUCT MOUNT	STEEL	WHITE	30	NO	NO	TITUS/TMS	12x12 LOUVER FACE
'C'	RETURN GRILLE	DUCT MOUNT	ALUMINUM	WHITE	30	NO	NO	TITUS/50FL	1/2"x1/2"x1" EGGRATE
'D'	EXHAUST GRILLE	DUCT MOUNT	ALUMINUM	WHITE	30	YES	NO	TITUS/3FL	30 DEGREE DEFLECTION
'E'	WALL RETURN GRILLE	SURFACE MOUNT	ALUMINUM	WHITE	30	NO	NO	TITUS/4FL	45 DEGREE DEFLECTION

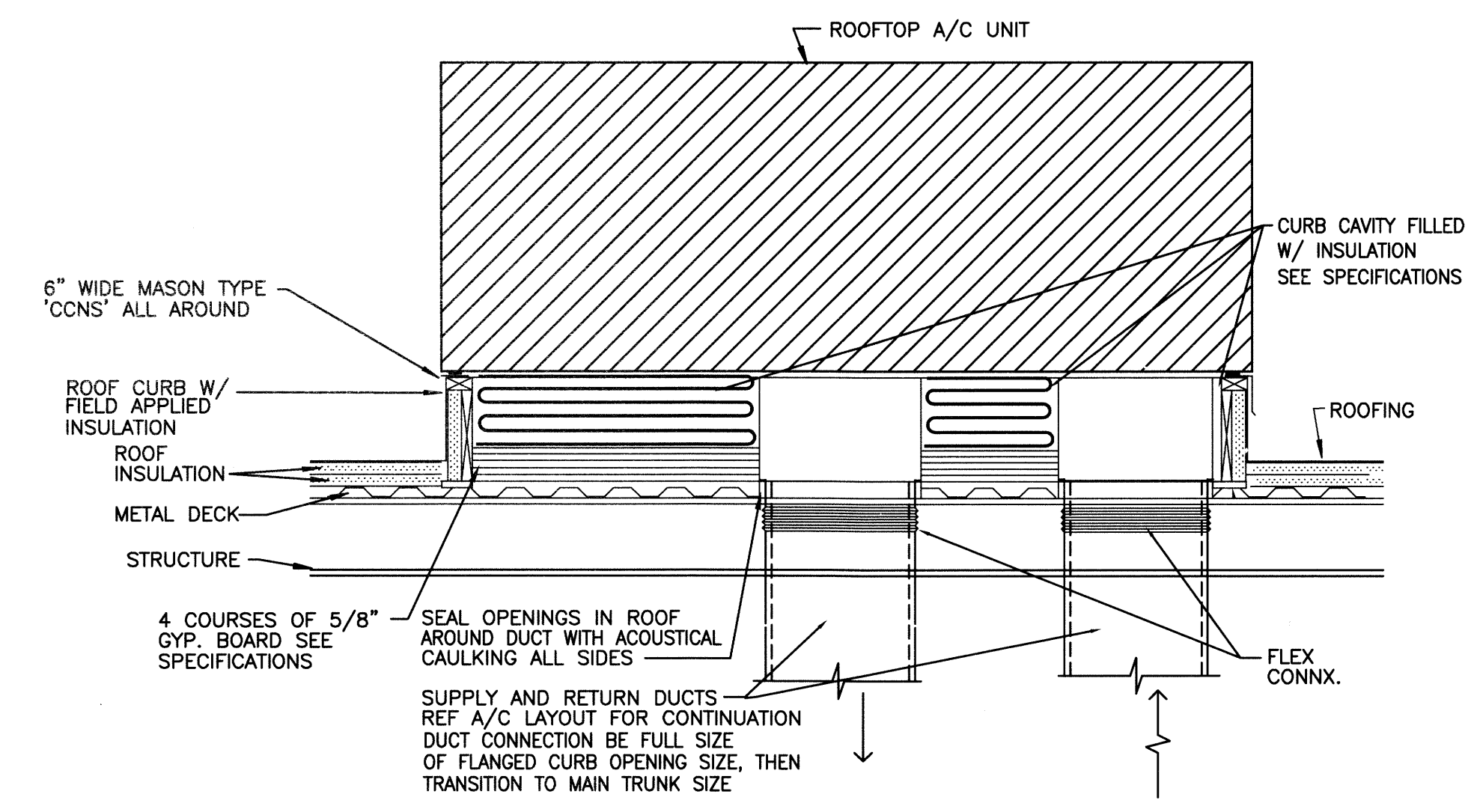
1. INSULATE BACK OF ALL CEILING MOUNTED DIFFUSERS.  
 2. SEE PLAN FOR NECK SIZE AND CFM.  
 3. SEE PLAN FOR DUCT CONNECTION SIZE.  
 4. GRILLES AND DIFFUSERS AS MANUFACTURED BY PRICE AND KRUEGER ARE ACCEPTABLE.  
 5. ALL DIFFUSERS ARE 4-WAY THROW UNLESS OTHERWISE NOTED.

**"AS-BUILT"**

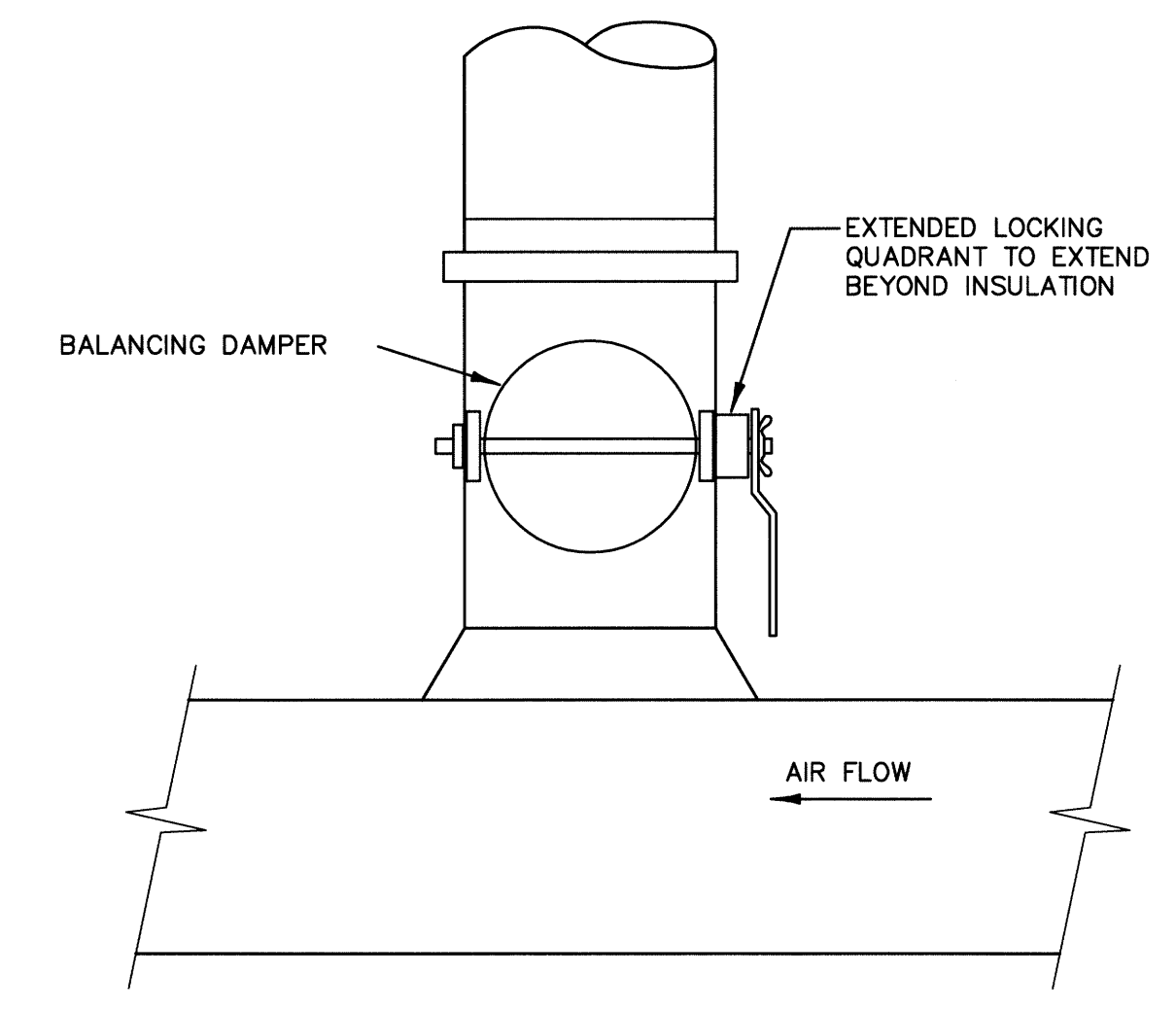
Office Building  
 Dallas Aerial Survey  
 4397 Westgrove Drive Addison, Texas 75001  
 Website: www.dasmaps.com

This document is released for the purpose of final review under the authority of G. W. Ridgway, P.E. 25928. It is not to be used for bidding, permit or construction purposes.  
 Date: July 9, 2013

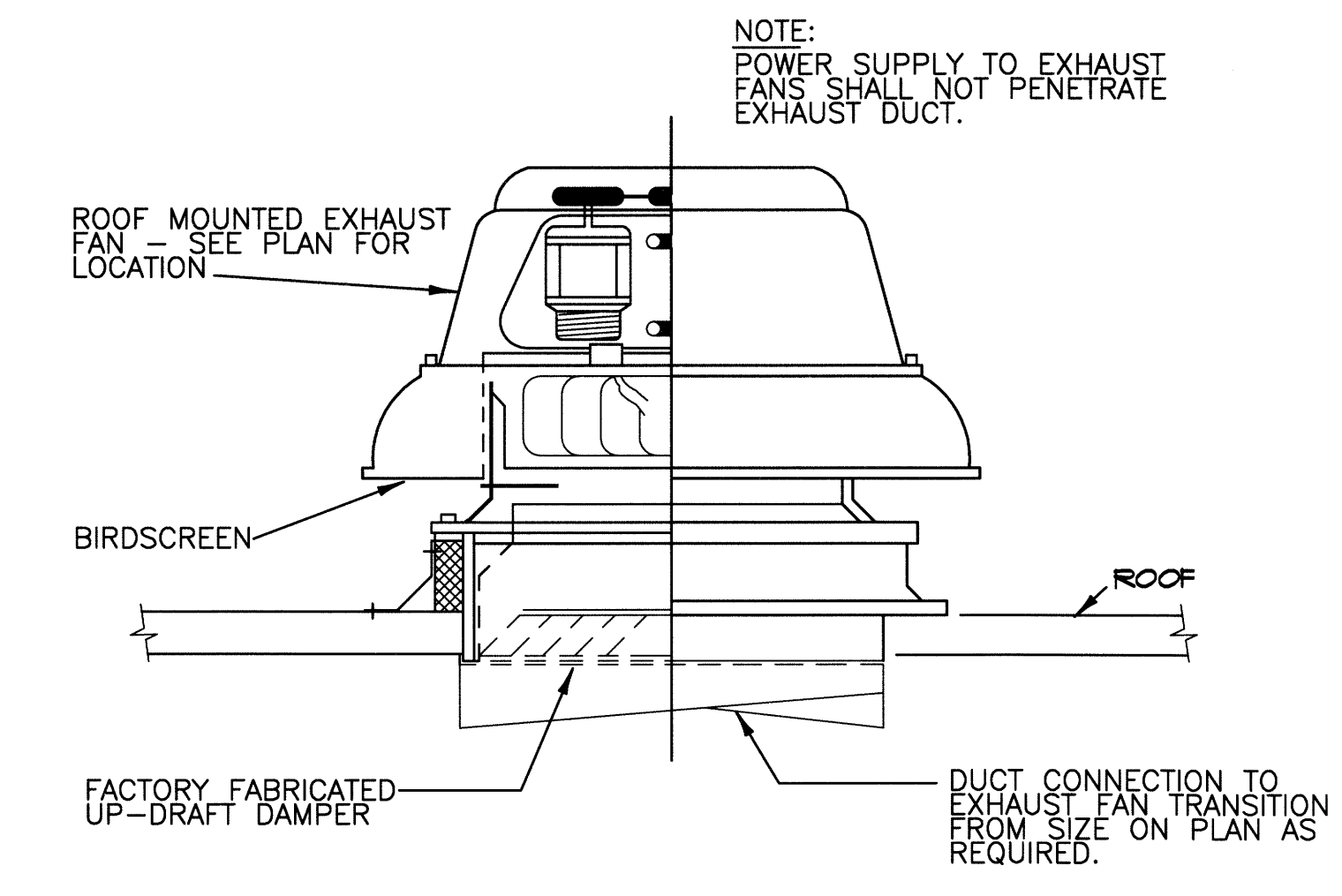
11520 N. Central Exp.  
 Suite 112  
 Dallas, Texas 75243  
 Phone: (214) 382-5300  
 Fax: (214) 382-5303  
 Web: gvbarchitects.com  
 Email: guy@gvbarchitects.com



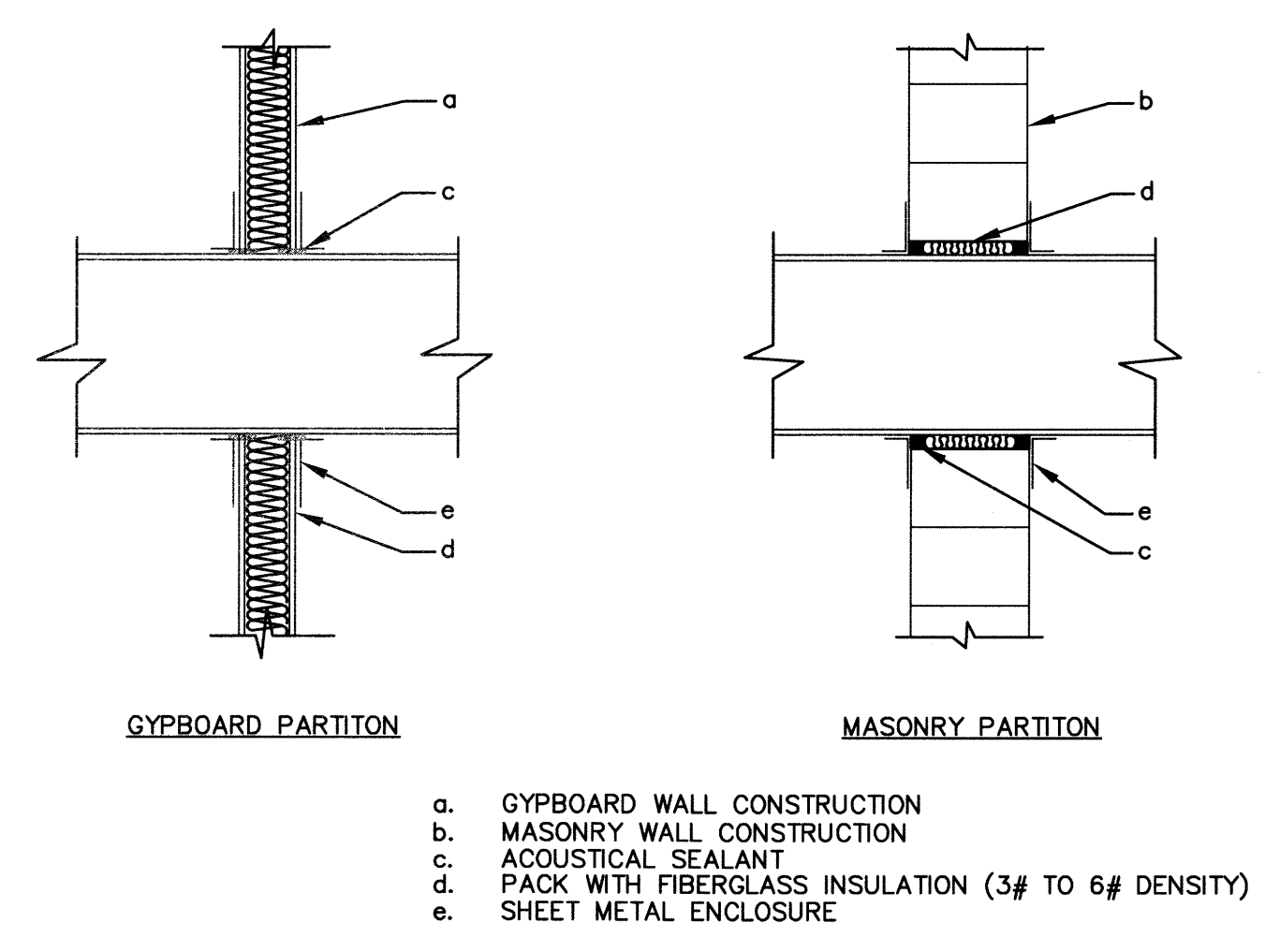
**1 Rooftop A.C. Unit Mounting Detail**  
 Not to Scale



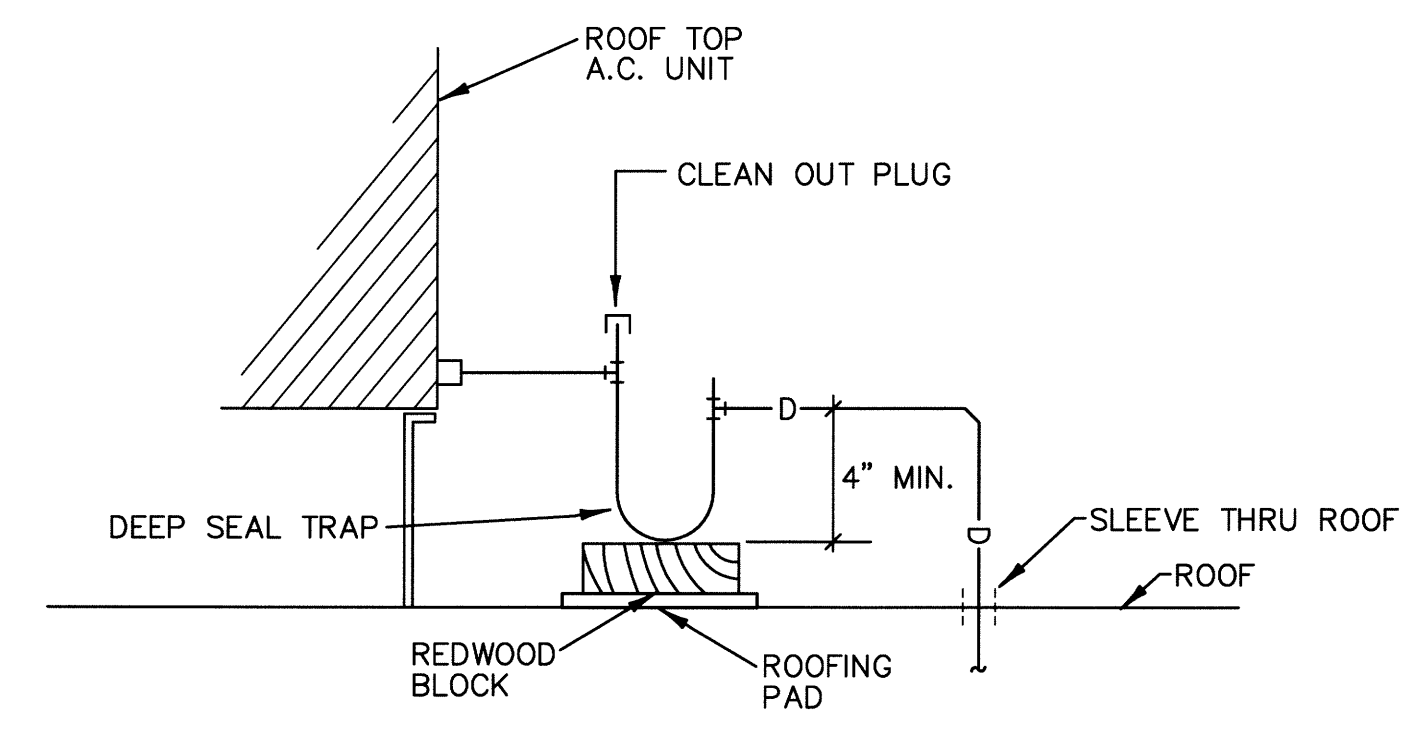
**2 Conical Spin In Fitting Detail**  
 Not to Scale



**3 Roof Mounted Exhaust Fan Detail**  
 Not to Scale



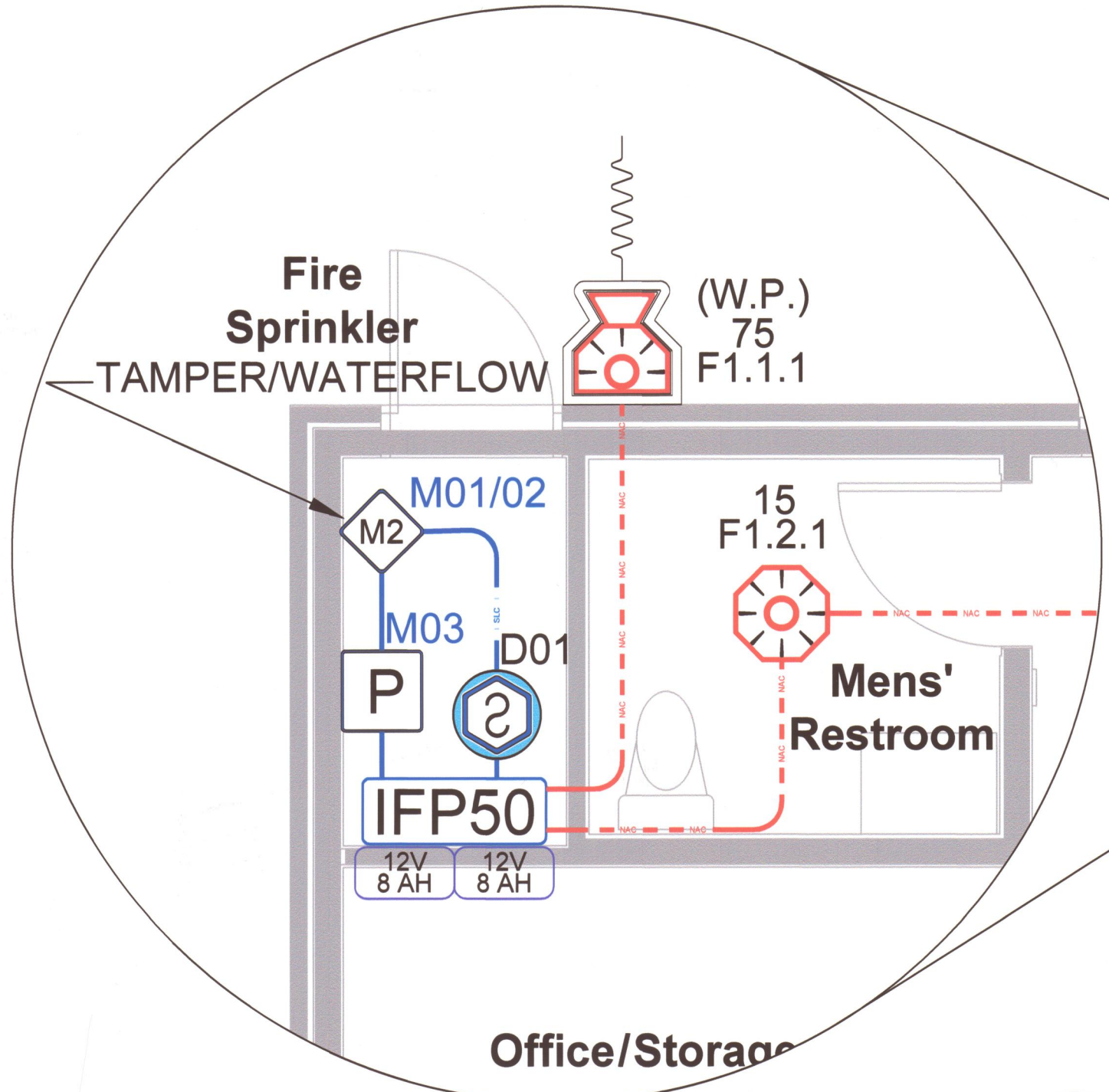
**4 Typical Wall Duct Penetration Detail**  
 Not to Scale



**5 Rooftop A.C. Unit Condensate Drain Detail**  
 Not to Scale

**"AS-BUILT"**

Office Building  
 Dallas Aerial Survey  
 4397 Westgrove Drive Addison, Texas 75001  
 Website: www.dasmaps.com



**RISER ROOM - FIRE ALARM DEVICE PLAN**  
SCALE - 3/8" = 1'-0"

DISPLAY CONDITION IS STATUS OF PANEL ON ECP  
ACTIVATE ALARM SIGNAL AT FIRE ALARM CONTROL PANEL  
ACTIVATE ALARM SIGNAL AT FIRE ALARM CONTROL PANEL  
ACTIVATE SUPERVISORY AND STROBES  
ACTIVATE SUPERVISORY SIGNAL AT FIRE ALARM CONTROL PANEL  
DISPLAY TROUBLE SIGNAL AT FIRE ALARM CONTROL PANEL  
REPORT APPROPRIATE SIGNAL TO CENTRAL STATION  
SILENCE PANEL AND BUILDING TO CLEAR STATION  
CONTROL PANEL RETURNED TO NORMAL

SEQUENCE OF EVENTS	
FIRE ALARM PANEL (ALARM) FUNCTIONS	
AREA SMOKE DETECTOR	●
MANUAL PULL STATION	●
WET SYSTEM WATERFLOW	●
FIRE ALARM PANEL SUPERVISORY FUNCTIONS	
SPRINKLER TAMPER SWITCH	●
FIRE ALARM PANEL TROUBLE FUNCTIONS	
LOSS OF AC POWER	●
DEVICE TROUBLE	●
LOW BATTERY	●
OPEN CIRCUIT	●
GROUND FAULT	●
FIRE ALARM PANEL FUNCTIONS	
ACTIVATION OF SYSTEM SILENCE	●
RESTORATION OF SYSTEM TO NORMAL	●

- GENERAL NOTES:**
- A SMOKE DETECTOR SHALL BE PROVIDED ABOVE ALL FIRE ALARM UNITS.
  - BUILDING IS CLASS 'B' OCCUPANCY WITH LESS THAN 30 OCCUPANTS.
  - BUILDING IS FULLY SPRINKLERED.
  - CEILING MOUNT DEVICES SHALL BE INSTALLED AT 10'-0" AFTER FINISH FLOOR.
  - WHERE (3) OR MORE STROBES ARE VISIBLE THEY WILL BE SYNCHRONIZED.
  - ALL CABLING SHALL HAVE INDEPENDENT SUPPORTS.
  - FIRE ALARM SHALL BE AUDIBLE THROUGHOUT WITH VISUAL NOTIFICATION PROVIDED IN PUBLIC & COMMON AREAS, AS REQUIRED BY THE CITY OF ADDISON.
  - DESIGN, INSTALLATION AND INSPECTION TO BE IN ACCORDANCE WITH IFC 2009, AS AMENDED AND ADOPTED BY THE CITY OF ADDISON.

QTY	SYMBOL	DESCRIPTION	PART-NUMBER	MANUFACTURER
1	IFP50	FIRE ALARM CONTROL PANEL	IFP-50	SILENT KNIGHT
2	BATT	BATTERY - 12VOLT 8AMP		
3	PC2W	CEILING MOUNT HORN STROBE STD. CANDELA	PC2W	SYSTEM SENSOR
6	SCW	CEILING MOUNT STROBE STD. CANDELA	SCW	SYSTEM SENSOR
1	P2RK	WALL MOUNT WEATHERPROOF HORN STROBE STD. CANDELA	P2RK	SYSTEM SENSOR
1	IDP-PHOTO	SMOKE DETECTOR - PHOTO	IDP-PHOTO	SILENT KNIGHT
1	IDP-PULL	PULL STATION	IDP-PULL	SILENT KNIGHT
1	IDP-MONITOR-2	MONITOR MODULE (DUAL)	IDP-MONITOR-2	SILENT KNIGHT
1	B210LP	DETECTOR BASE	B210LP	SILENT KNIGHT
N/A	---	E.O.L. RESISTOR		
14	TOTAL			

NAC TAG LEGEND:  
15 - CANDELA #  
xxx.x  
L - DEVICE #  
C - CIRCUIT #  
P - PANEL/MODULE #

REVISIONS			
REV.	DISCRPTION	DATE	BY

ALL WIRING ABOVE CEILING SHALL BE PROPERLY SECURED AND ALL DEVICES PROPERLY SUPPORTED. ABANDONED OR UNUSED WIRING SHALL BE REMOVED IN ACCORDANCE WITH NFPA 70.

FINAL APPROVAL IS SUBJECT TO SATISFACTORY COMPLETION OF AN ACCEPTANCE TEST WITNESSED BY THE ADDISON FIRE DEPARTMENT

CALL 972-450-7220 AT LEAST THREE DAYS IN ADVANCE TO SCHEDULE TEST

*Addison!*

**FIRE DEPARTMENT**

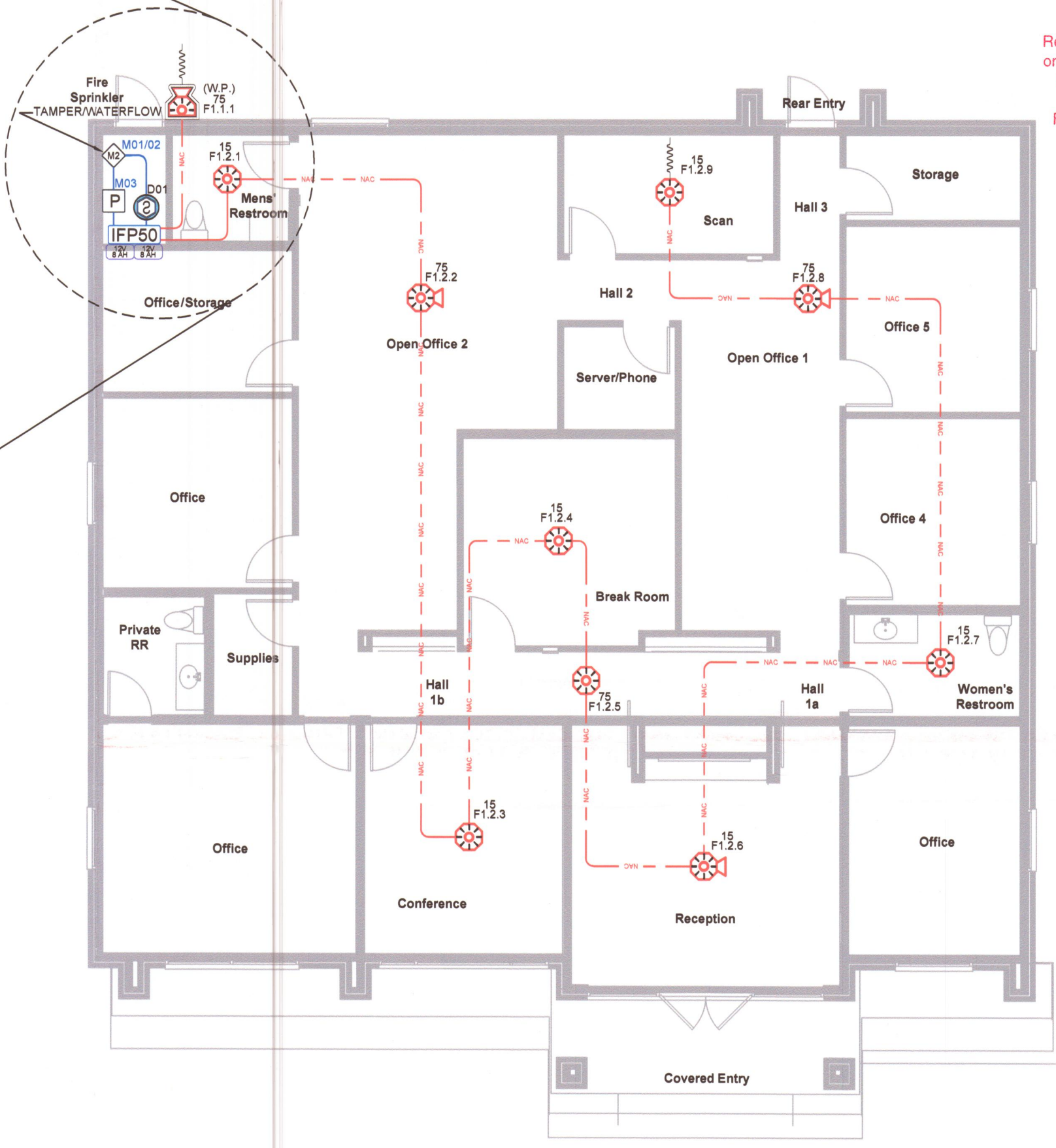
Reviewed on: 9-21-15

Reviewer: [Signature]

Review is limited to the content of these plans. Errors or omissions shall not be construed as permission to allow any condition to exist in violation of City Ordinance.

Final approval is subject to completion of inspections and/or tests as required by the Fire Department.

972.450.7201



**OVERALL BLDG - FIRE ALARM DEVICE PLAN**  
SCALE - 1/8" = 1'-0"

**CIRCUIT WIRING LEGEND**

— SLC — SLC — SLC (SIGNALING LINE CIRCUIT) WIRE #16/2 AWG - FPLR POWER LIMITED CLASS 'A'

--- NAC --- NAC --- NAC (NOTIFICATION ANNUNCIATION CIRCUIT) WIRE #14/2 AWG - FPLR POWER LIMITED CLASS 'B' STYLE 'Y'

FOR SUBMITTAL  RECORD DRAWINGS

I HAVE REVIEWED THESE PLANS AND CERTIFY THAT THEY COMPLY WITH THE APPLICABLE CODES AND STANDARDS; OR

CERTIFY THEY WERE COPIED FROM SEALED ENGINEERING PLANS AND ANY VIOLATIONS OF THE APPLICABLE CODES OR STANDARDS ARE SPECIFICALLY NOTED ON THE PLANS.

FIRE SAFETY SOLUTIONS, INC  
3320 TOWERWOOD DRIVE  
FARMERS BRANCH, TEXAS 75234  
214-217-3774 ACR-2430

[Signature] APS-1798125  
MARTIN ANTONIO CAUDILLO - LICENSE #  
APS PRINTED NAME - DATE

**FIRE SAFETY SOLUTIONS, INC**

ACR #: 2430  
3320 TOWERWOOD DR.  
FARMERS BRANCH, TEXAS 75234  
METRO: 214-217-3774 FAX: 214-217-3775

PROJECT INFORMATION		DATE:
<b>DALLAS AERIAL SURVEY SPRINKLER MONITORING SYSTEM</b>		8/31/2015
4397 WESTGROVE DRIVE ADDISON, TEXAS 75001		JOB NO.:
CODES AND STANDARDS NEC: 2010 NFPA: 2010 IBC: 2012 IFC: 2012 IMC: 2012		PERMIT NO.:
DESIGNER: R.R.		SHEET: 1 OF 1