

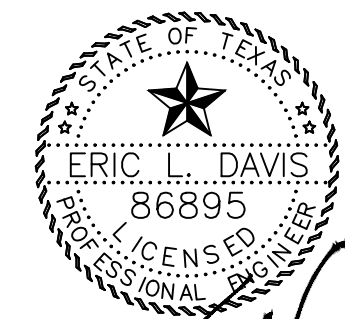
ERIC L. DAVIS ENGINEERING, INC.
 120 East Main Street
 Forney, Texas 75126
 972/564-0592 Fax 972/564-6523
 E-Mail erlcdavis@eldengineering.com

DETAILS
 CATCH BASIN
BENTLEY CUSTOM HOMES

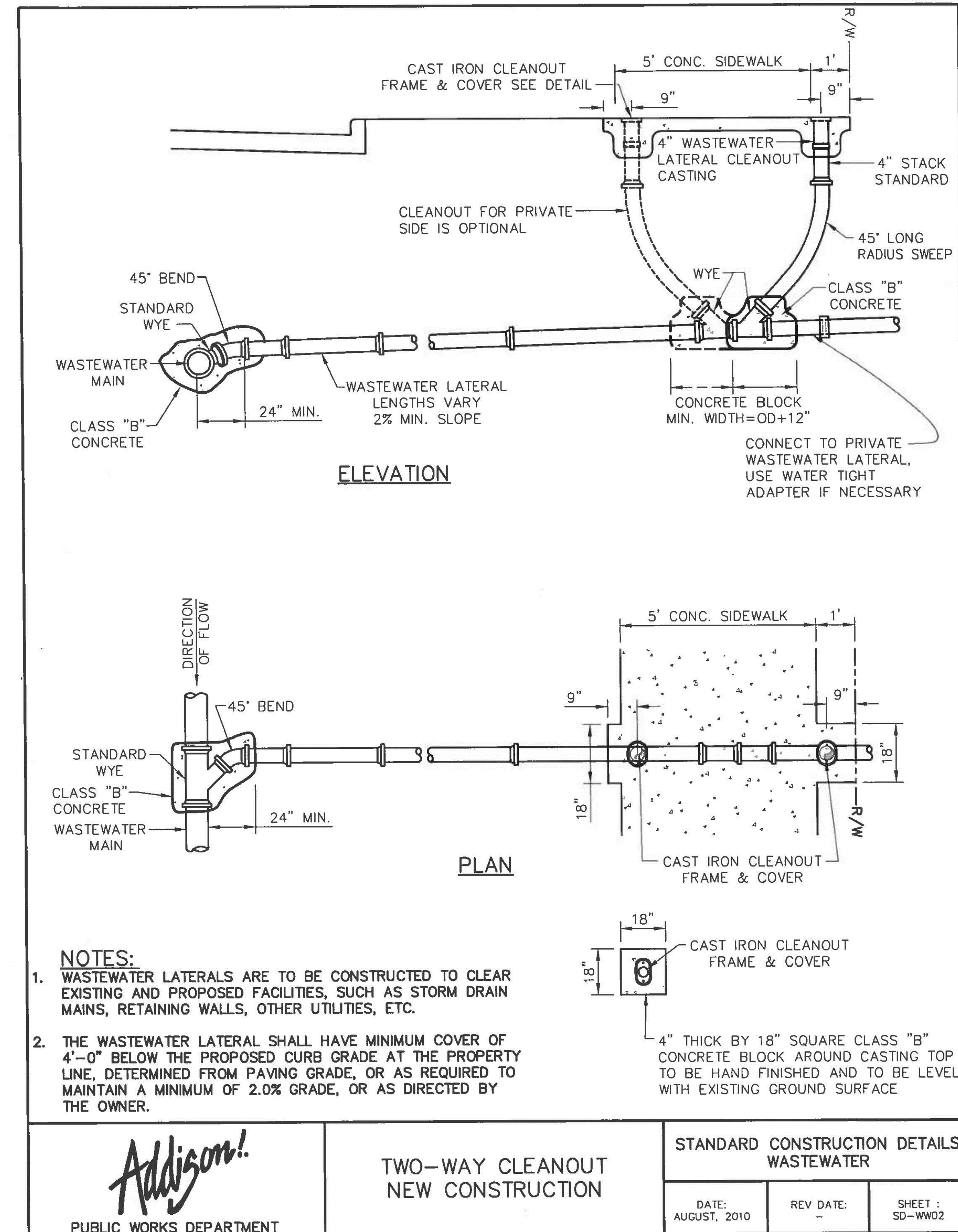
PLANNING: GRADING
 ELD JOB NO.:
 DRAWN BY: BW
 FIRM REGISTRATION #: 3987
 CITY: ADDISON, TEXAS

SCALE: N.T.S.

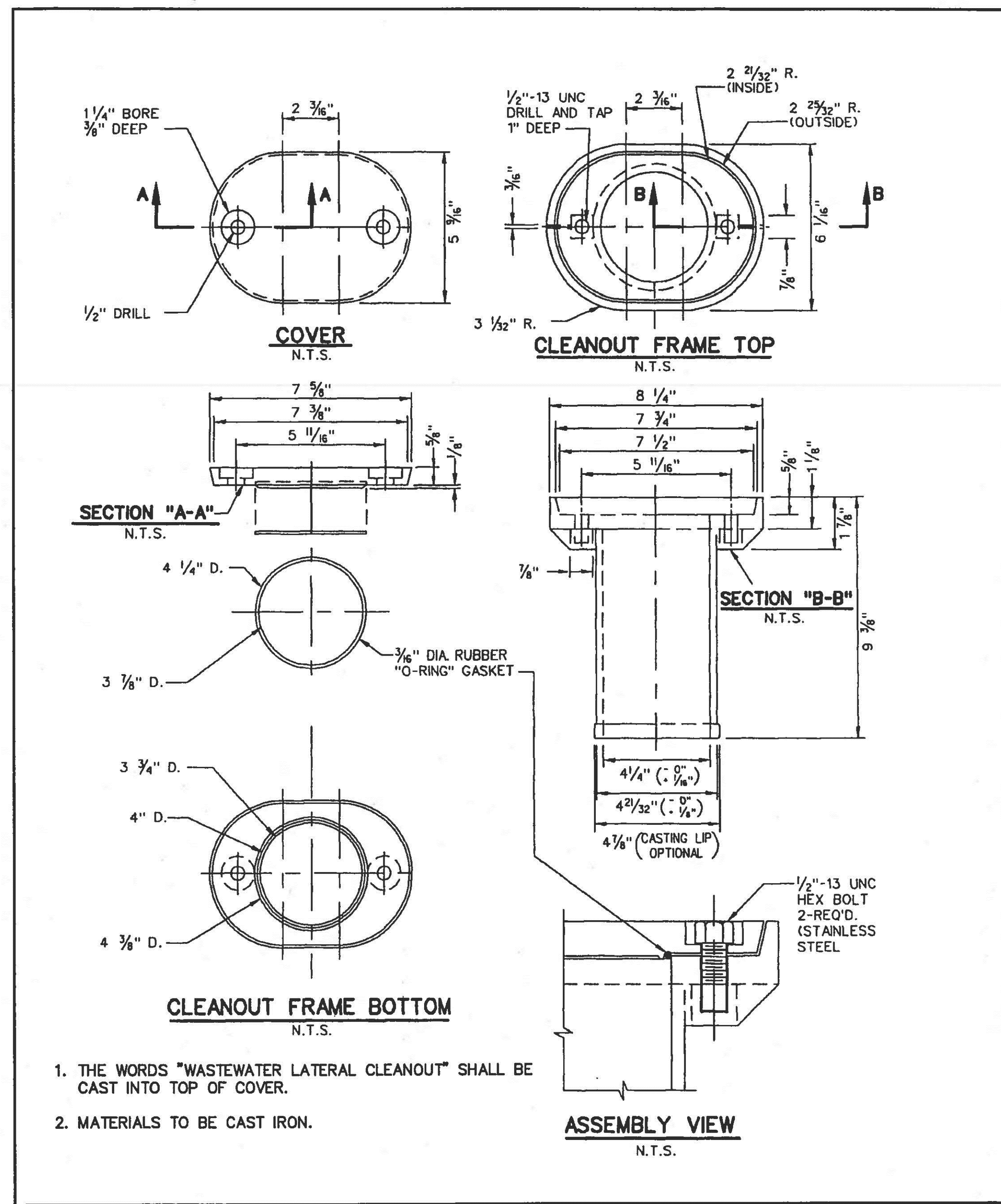
SHEET 007



02/09/2016



PUBLIC WORKS DEPARTMENT	TWO-WAY CLEANOUT NEW CONSTRUCTION		STANDARD CONSTRUCTION DETAILS WASTEWATER		
	DATE: AUGUST, 2010	REV DATE: -	SHEET: SD-WW02		



PUBLIC WORKS DEPARTMENT	CAST IRON CLEANOUT FRAME & COVER		STANDARD CONSTRUCTION DETAILS WASTEWATER		
	DATE: AUGUST, 2010	REV DATE: -	SHEET: SD-WW03		