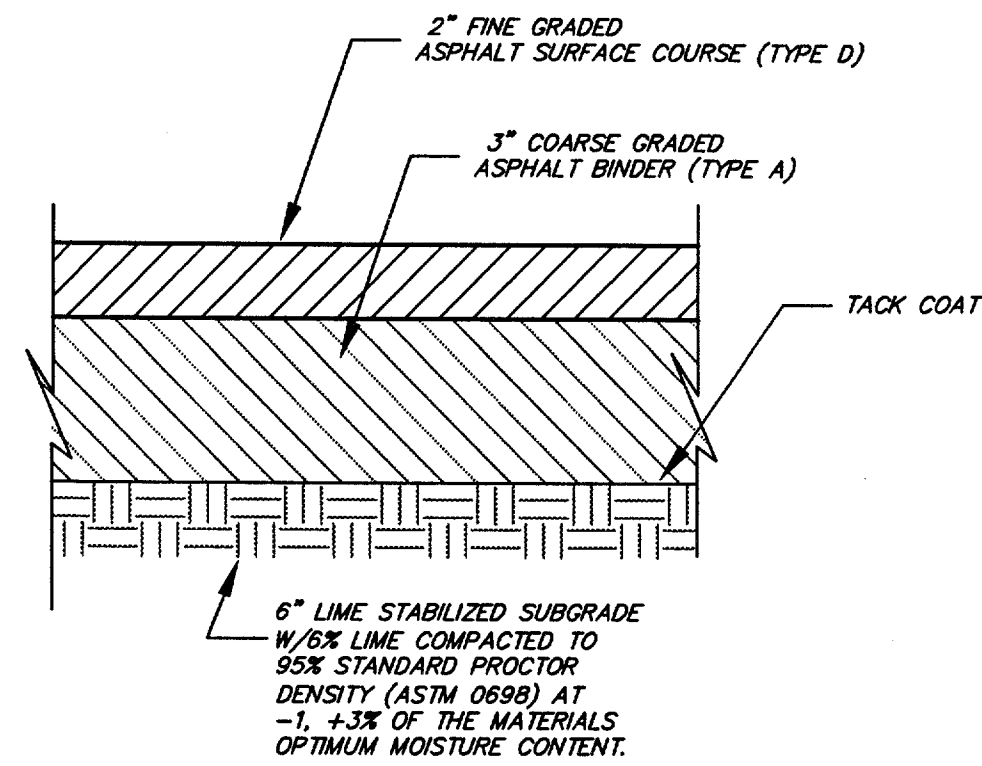
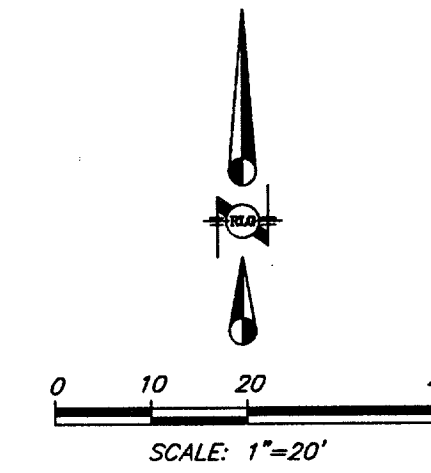


SEPARATE CURB & 12" GUTTER
NTS

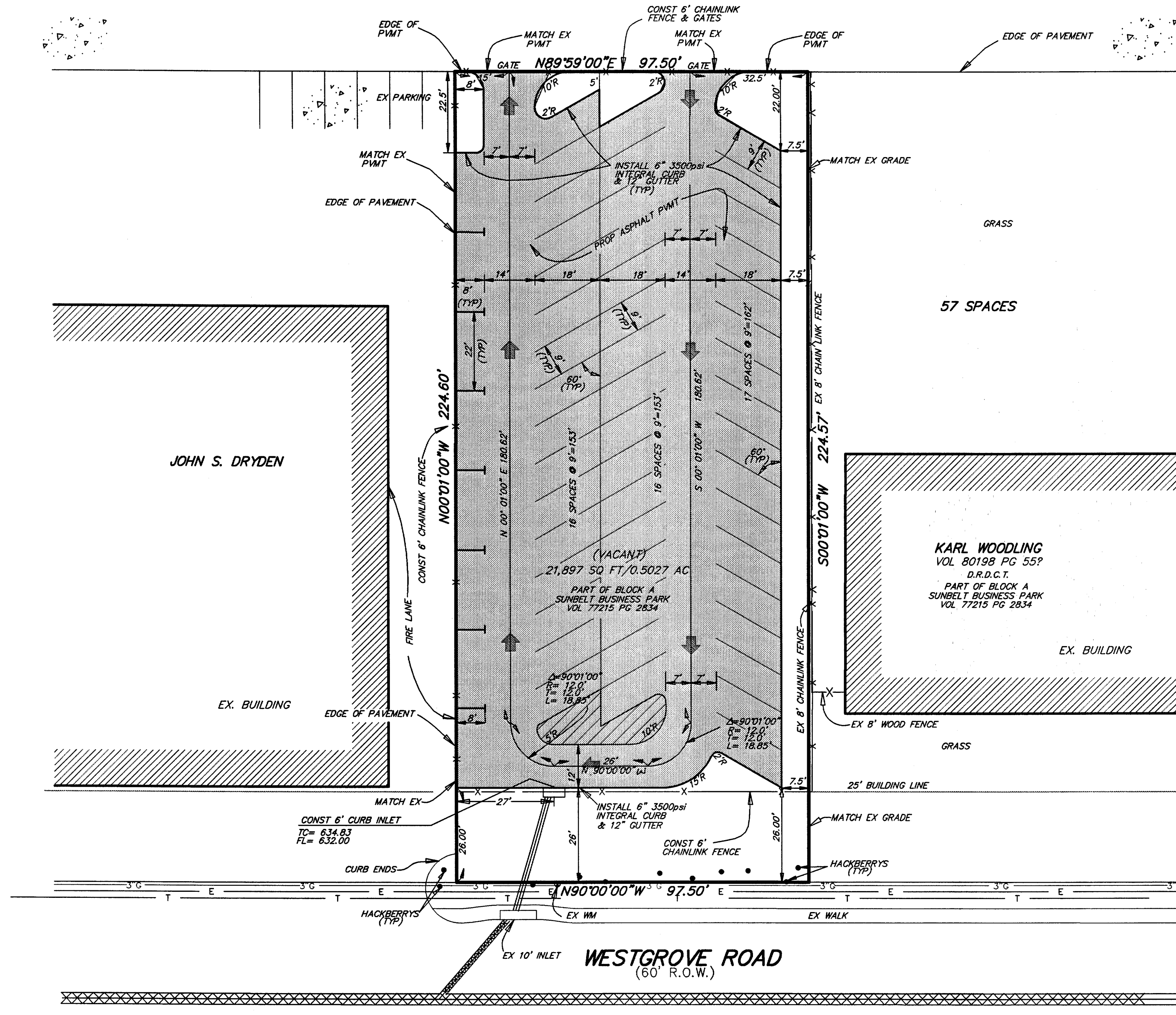


TYPICAL ASPHALT PAVING SECTION
NTS



PAVING GENERAL NOTES

1. All materials and workmanship shall conform to the Town of Addison standards and specification, and to the Standard Specifications for Public Works Construction for North Central Texas, latest edition and the Town of Addison addendum thereto.
2. The paving contractor shall be responsible for the adjustment of water and sanitary sewer appurtenances in accordance with the standard details and specifications of the Town of Addison.
3. Asphalt shall meet the requirements of Texas Highway Department standard specifications. The contractor may use a mix design currently being used on Town of Addison or Texas Highway Department projects.
4. All dimensions are to face of curb unless otherwise noted.
5. All concrete shall have a min. compressive strength of 3500psi at 28 days.
6. Contractor shall obtain and pay for all permits required.
7. Contractor shall dispose of surplus dirt, debris, etc., legally offsite. All work areas shall be cleaned up at the completion of the work.
8. Contractor shall provide all safety devices for the protection of the public.
9. All parking stalls to be marked by a 4" wide painted white stripe as indicated on the drawings.
10. Concrete pavement and structures shall be backfilled as soon as possible after forms are removed.



LEGEND

- 6" SEPARATE CURB & 12" GUTTER
- 6" ASPHALT PAVEMENT

BENCHMARKS:

- 1.) SQUARE CUT ON INLET IN NORTHEAST CORNER @ SUNBELT DRIVE AND WESTGROVE RD.
ELEV = 628.54
- 2.) SQUARE CUT IN BASE OF STREET LIGHT IN CENTER LINE OF EXCEL PKWY, WEST OF ADDISON RD.
ELEV = 644.41



SHEET NO.

2
7

PAVING & DIMENSIONAL CONTROL PLAN

4397 WESTGROVE RD
JOHN S. DRYDEN COMPANY
TOWN OF ADDISON, TEXAS

RAYMOND L. GOODSON JR., INC. CONSULTING ENGINEERS

DESIGN	DRAWN	DATE	SCALE	NOTES	FILE	NO.
RLG	RLG	10-23-00	1"=20'	0406PAV	00	406