

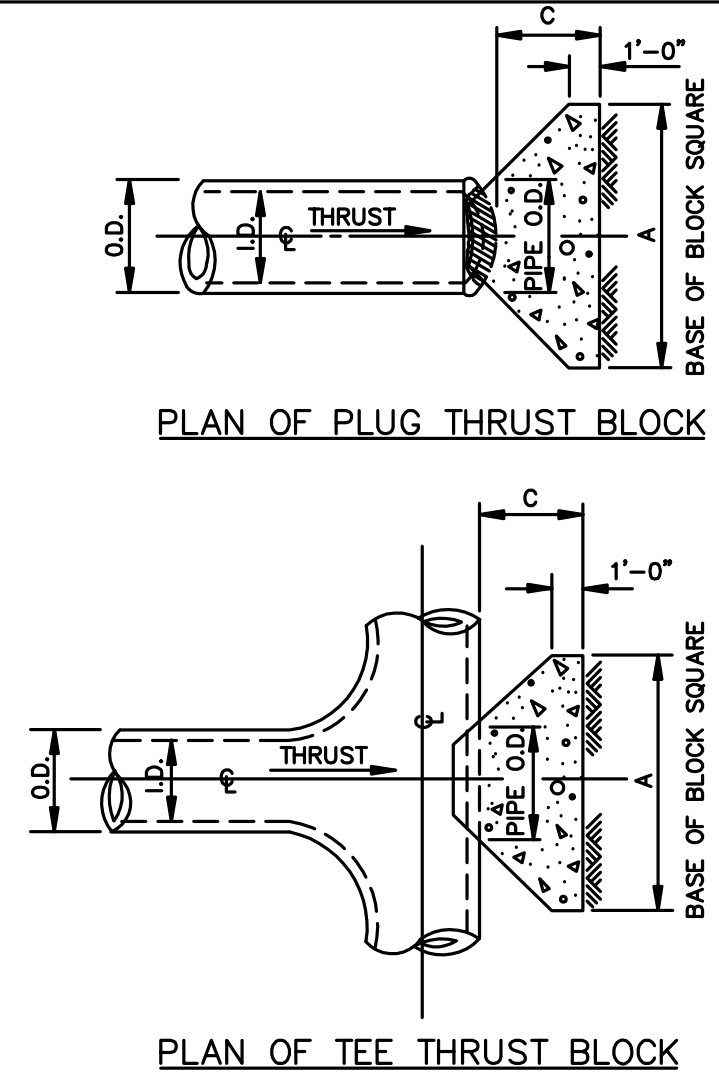
Type "K" Copper Service Pipe.	Double Strap Bronze Service Saddle with C.C. Threads	Galvanized Meter Box With Iron Ring & Cover
Min. Dia.	Covers & Rigs	Min. Ht. Min. Can Weight Min. Total Weight
2 Inch	2 Inch	28 Inches 20 1/2 Inches 18 Inches 20 lbs. 127 lbs.

Addison! PUBLIC WORKS DEPARTMENT

2" BLOW OFF WITH METER BOX

STANDARD CONSTRUCTION DETAILS WATER

DATE: AUGUST, 2010 REV DATE: SHEET: SD-W15



I.D. (IN.)	THRUST (TONS)	C (FT.)	EARTH		ROCK	
			A (FT.)	VOL. (C.Y.)	A (FT.)	VOL. (C.Y.)
4,6,8	5.1	1.5	2.5	0.3	2.0	0.2
10,12	11.3	1.5	3.5	0.6	2.5	0.3
16,18	25.5	2.0	5.5	1.6	4.0	0.9
20	31.5	2.0	6.0	1.9	4.0	0.9
24	45.2	2.5	7.0	3.1	5.0	1.7
30	53.0	3.0	7.5	4.1	5.5	2.4
36	76.3	4.0	9.0	7.3	6.5	4.2
42	104.0	4.5	10.5	11.0	7.5	6.2
48	136.0	5.0	12.0	15.6	8.5	8.7

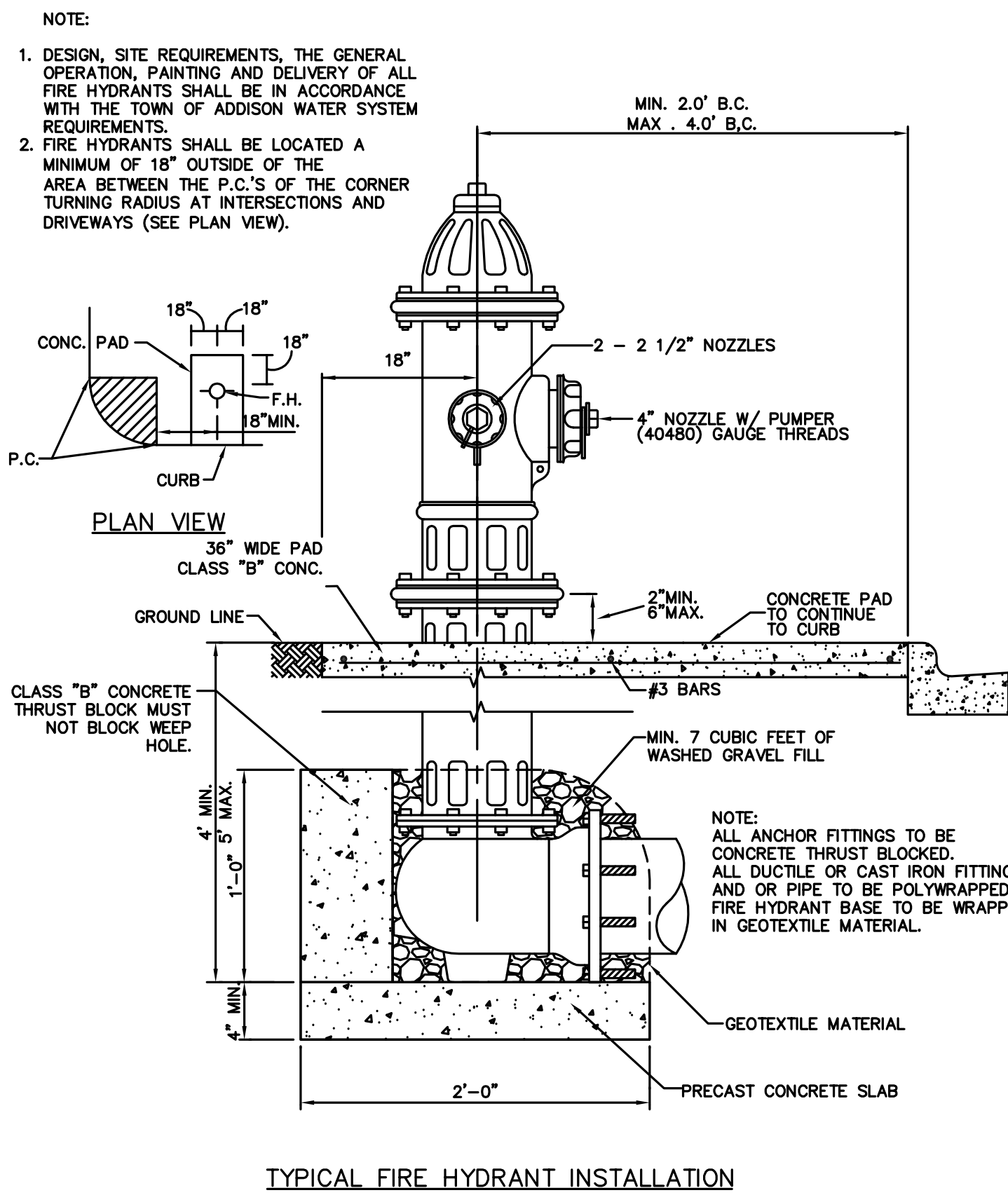
TABLES OF DIMENSIONS AND QUANTITIES

Addison! PUBLIC WORKS DEPARTMENT

HORIZONTAL THRUST BLOCK AT TEES & PLUGS

STANDARD CONSTRUCTION DETAILS WATER

DATE: AUGUST, 2010 REV DATE: SHEET: SD-W17

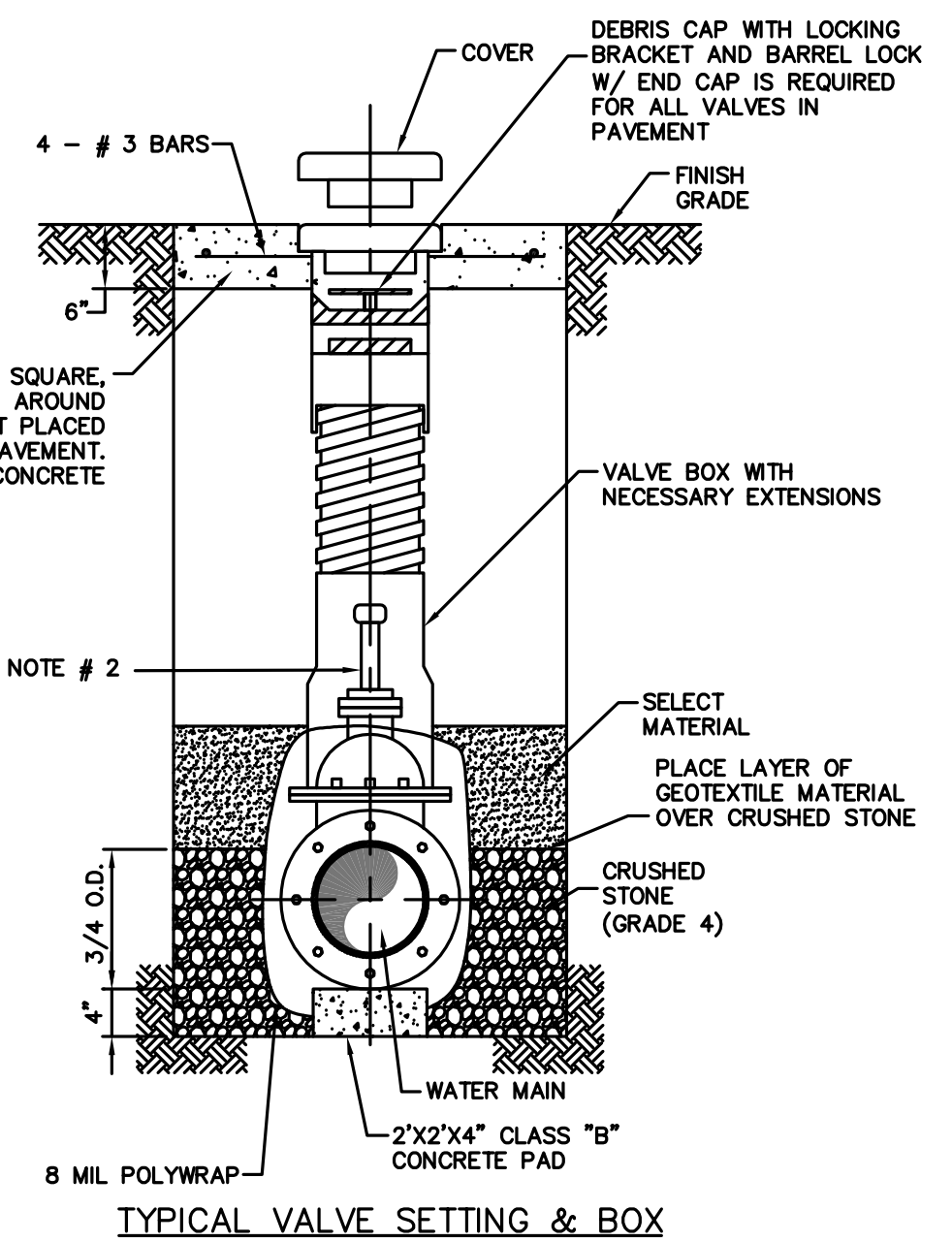


Addison! PUBLIC WORKS DEPARTMENT

TYPICAL FIRE HYDRANT INSTALLATION

STANDARD CONSTRUCTION DETAILS WATER

DATE: AUGUST, 2010 REV DATE: SHEET: SD-W16



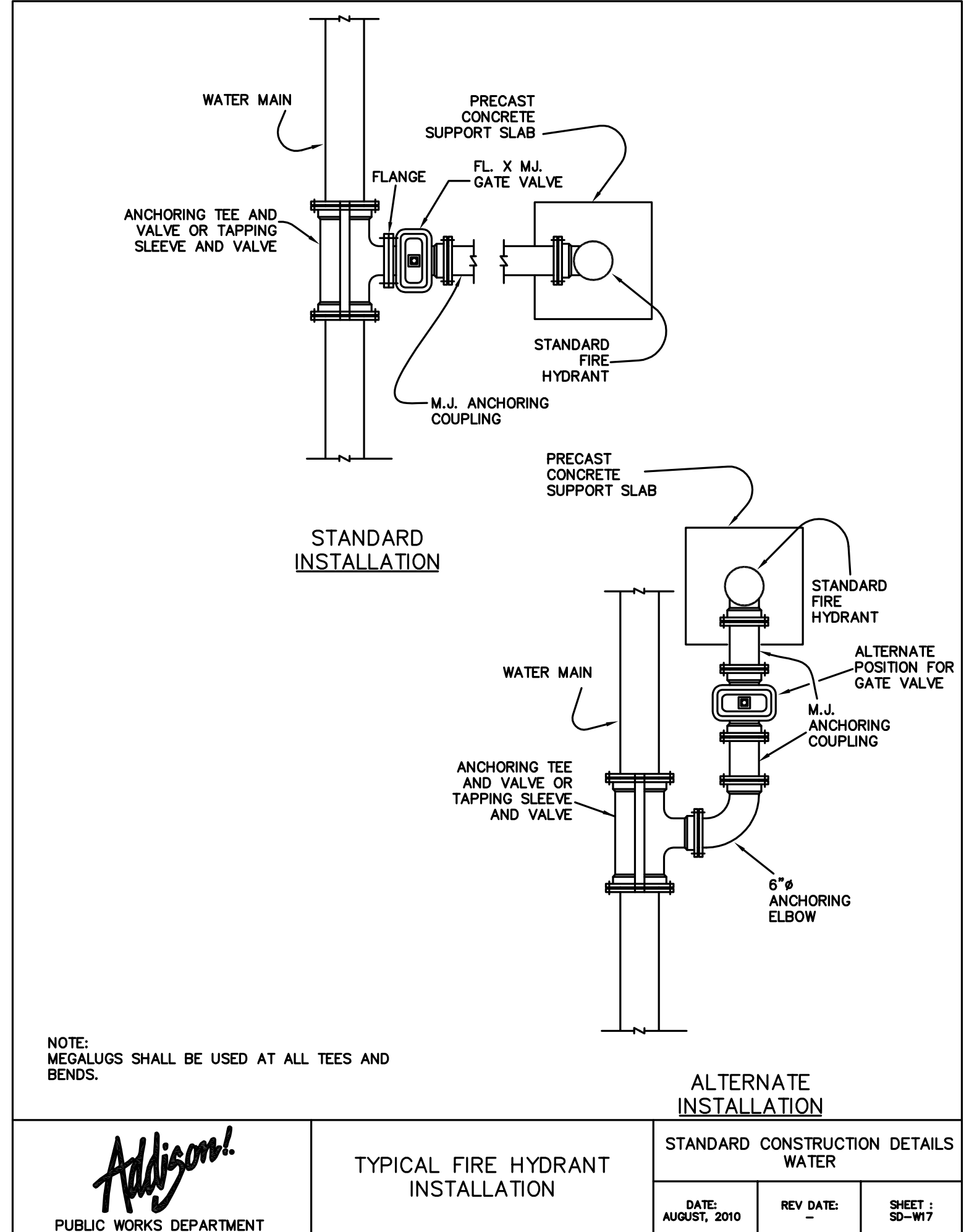
- NOTE:
- 4"-12" R.S. GATE VALVES SHALL BE IN ACCORDANCE WITH TOWN OF ADDISON WATER SYSTEM REQUIREMENTS.
 - A PERMANENTLY ATTACHED VALVE EXTENSION STEM SHALL BE REQUIRED FOR ANY VALVE WHERE THE OPERATING NUT IS LOCATED IN EXCESS OF 5 FEET BELOW THE TOP OF VALVE BOX. THIS EXTENSION SHALL BE OF SUFFICIENT LENGTH TO INSURE THAT ITS TOP IS WITHIN 5 FEET OF VALVE BOX LID.
 - BLUE "V" (3") CUT INTO FACE OF NEAREST CURB AND POINTING TOWARD THE VALVE.
 - ALL IRON MATERIALS SHALL BE DOMESTIC. (MADE IN USA)
 - CRUSHED STONE SHALL BE 3/4" PASSING #4 SIEVE.

Addison! PUBLIC WORKS DEPARTMENT

VALVE SETTING BOX

STANDARD CONSTRUCTION DETAILS WATER

DATE: AUGUST, 2010 REV DATE: SHEET: SD-W09



Addison! PUBLIC WORKS DEPARTMENT

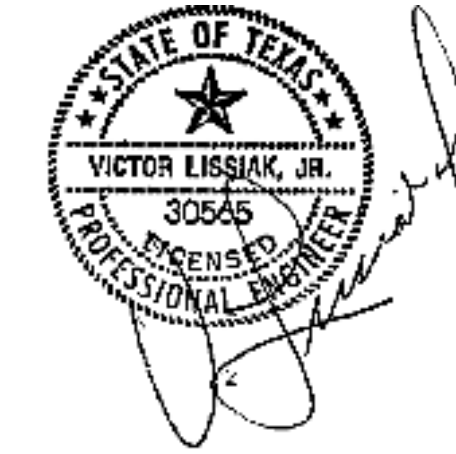
TYPICAL FIRE HYDRANT INSTALLATION

STANDARD CONSTRUCTION DETAILS WATER

DATE: AUGUST, 2010 REV DATE: SHEET: SD-W17

AS-BUILT
10/25/2018

THE SEAL APPEARING ON THIS DOCUMENT WAS AUTHORIZED BY VICTOR LISSIAK, JR., P.E. 30565 ON 10/25/2018



STANDARD DETAILS

MEHRDAD HANGAR

ADDISON AIRPORT

LEASEHOLD ESTATES TRACT II
1458 ACRES GROUND LEASE #080A-29 ALP#U23
4700 WESTGROVE DRIVE
ADDISON, TEXAS

VIEWTECH INC. TEXAS FIRM REGISTRATION NO. F2658
4205 BELTWAY DR. ADDISON, TX. 75001 (972) 661-8187 FAX (972) 661-8172

DESIGN	DRAWN	DATE	SCALE	JOB #	SHEET
AW	AW	10/24/16		2015-224	C12