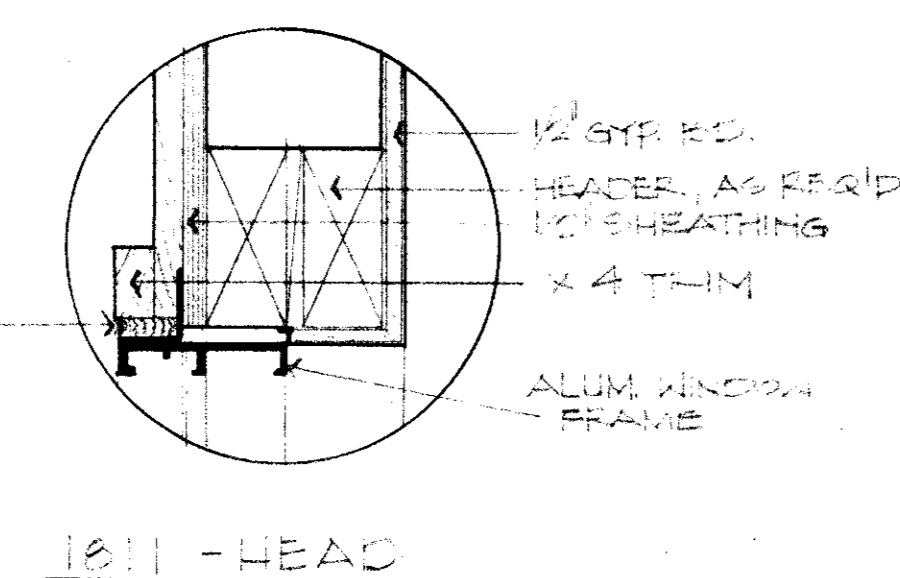
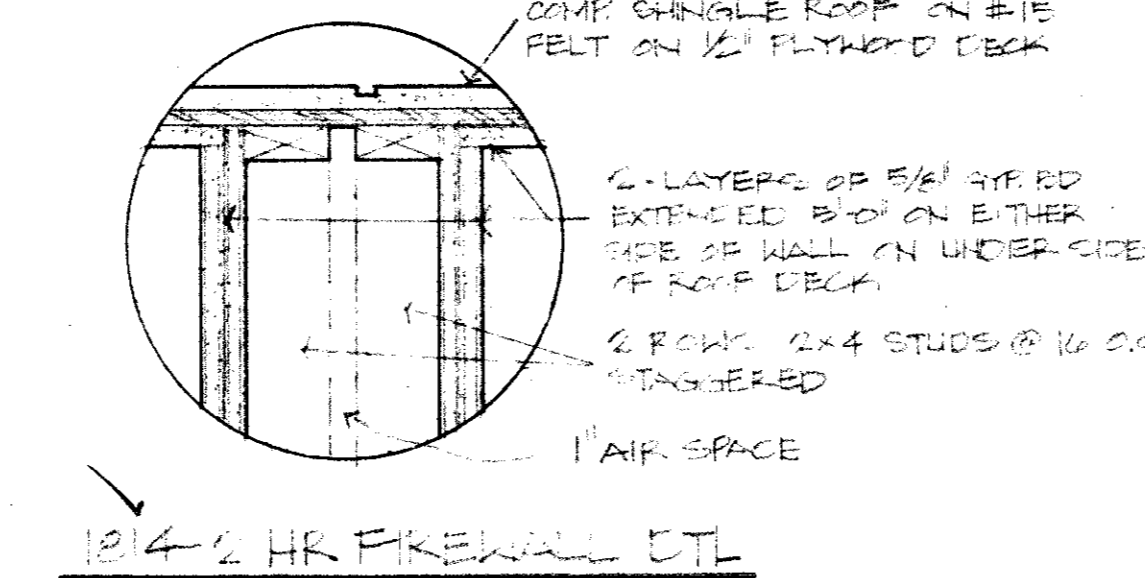


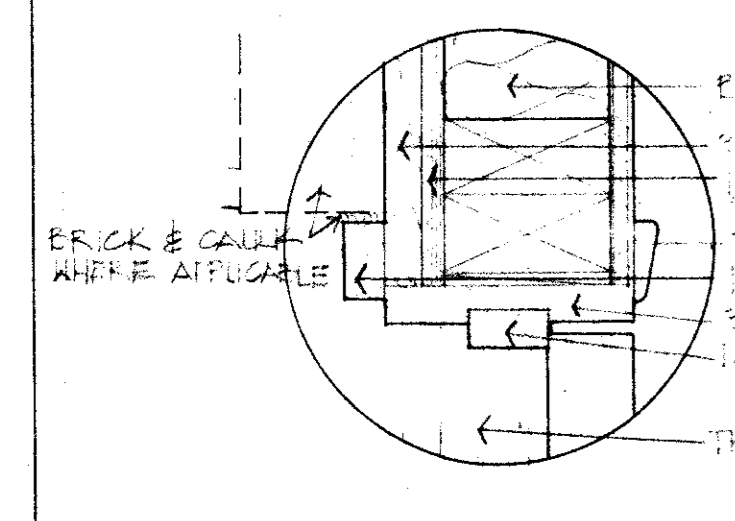
1807 - HEAC



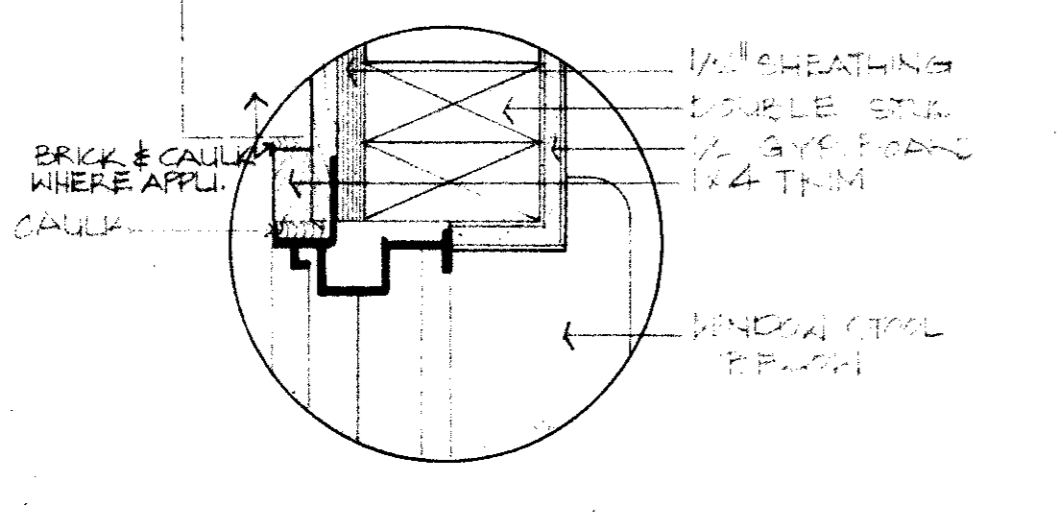
1811 - HEAC



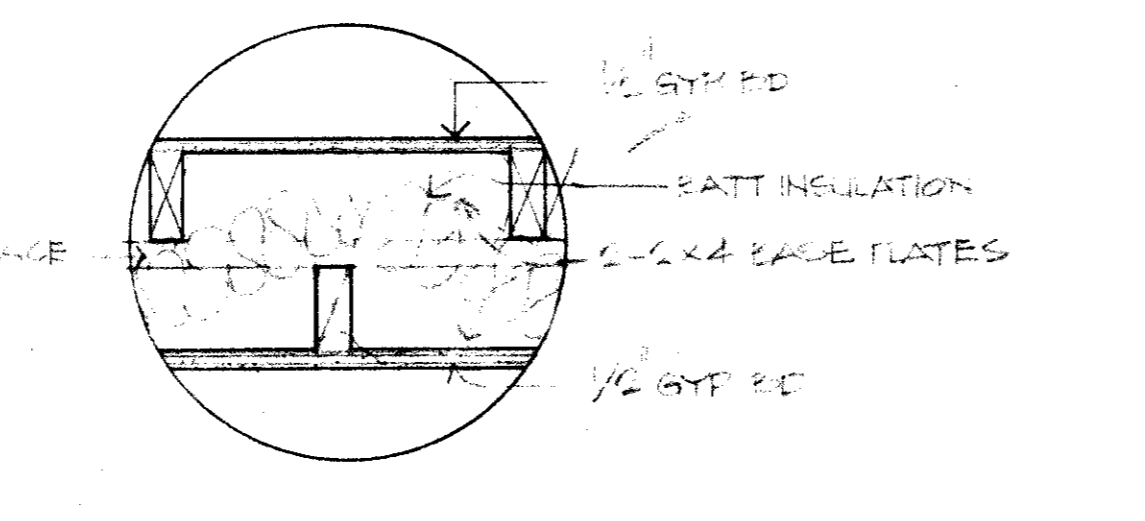
1814 - HR FIRE-RATED DTL



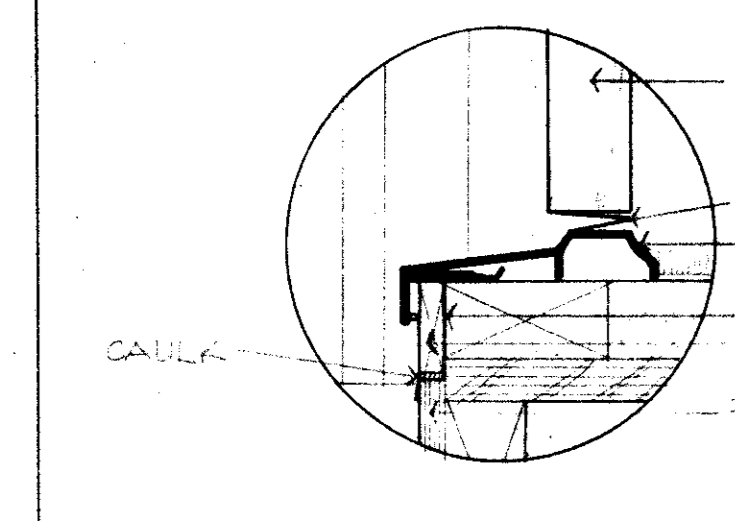
1807 - JAMB



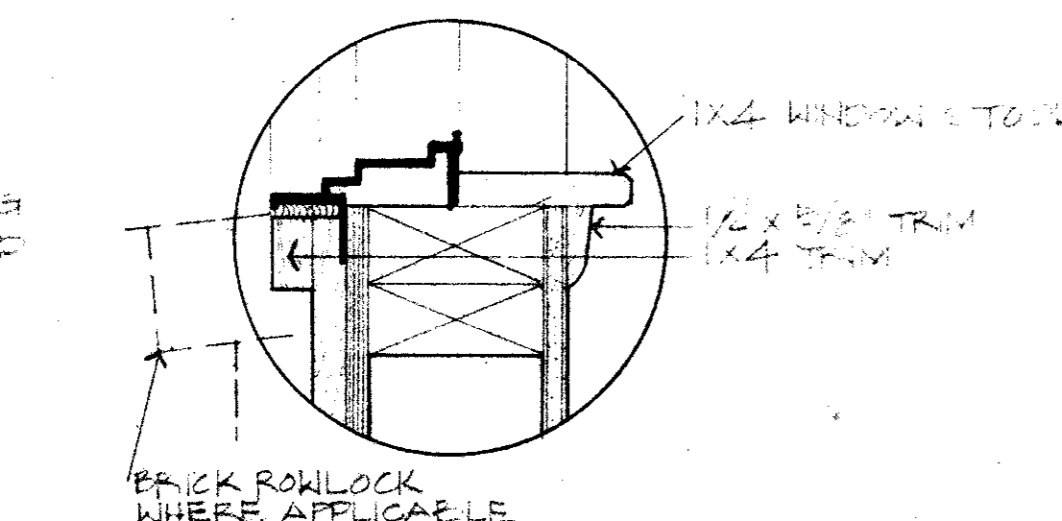
1810 - JAMB



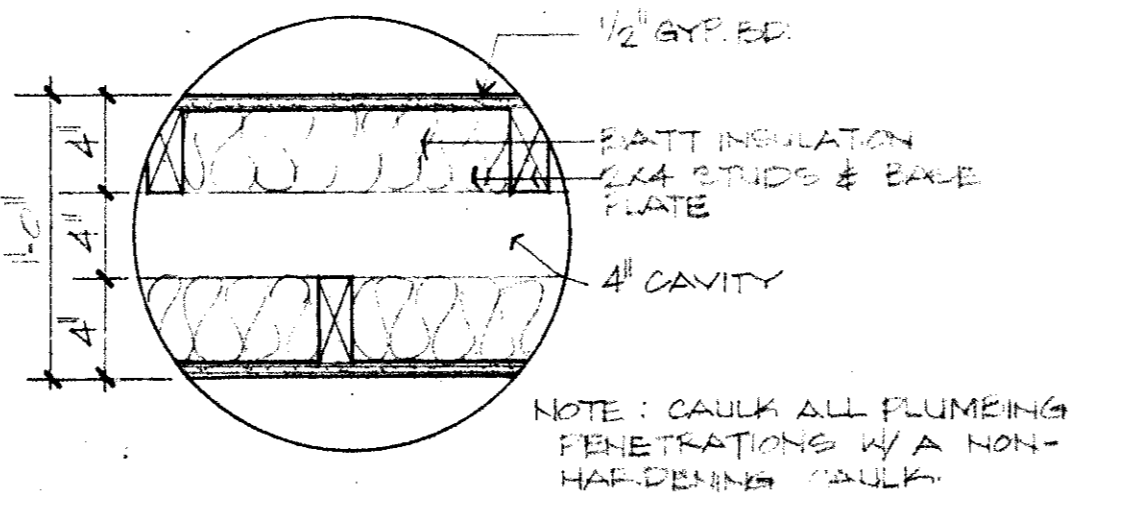
1813 - TYP PARTY WALL



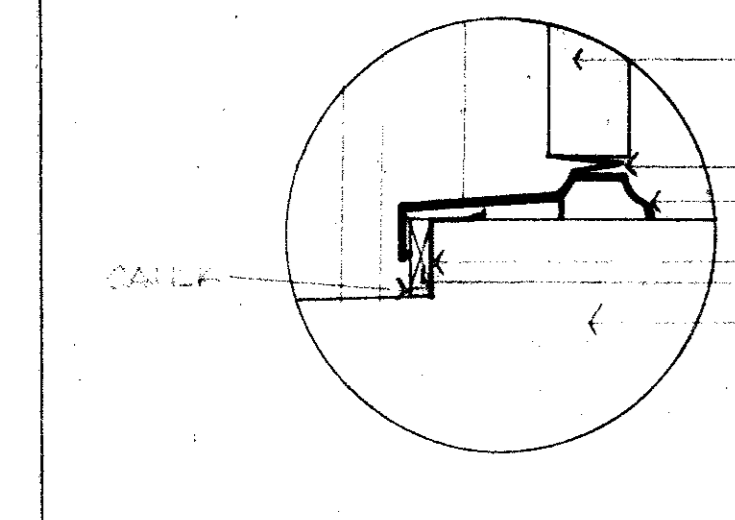
1802 - SILL (UPPER FLOOR)



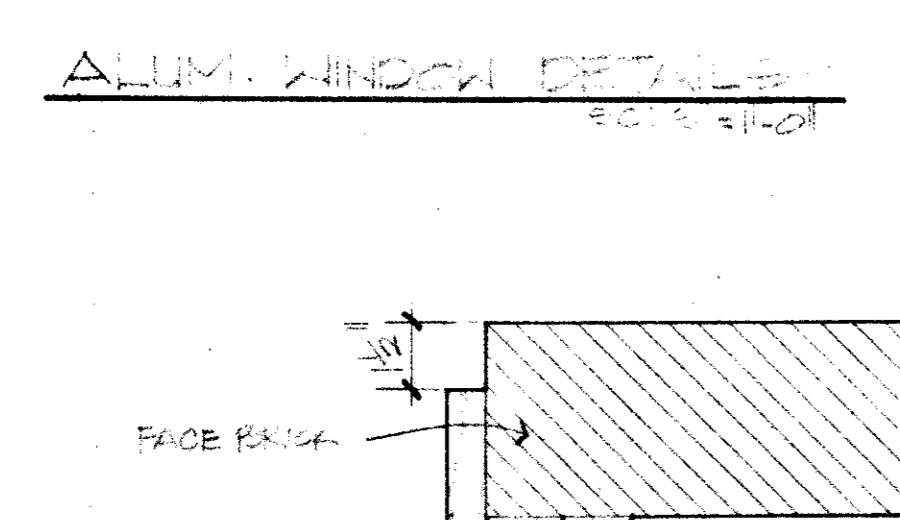
1809 - SILL



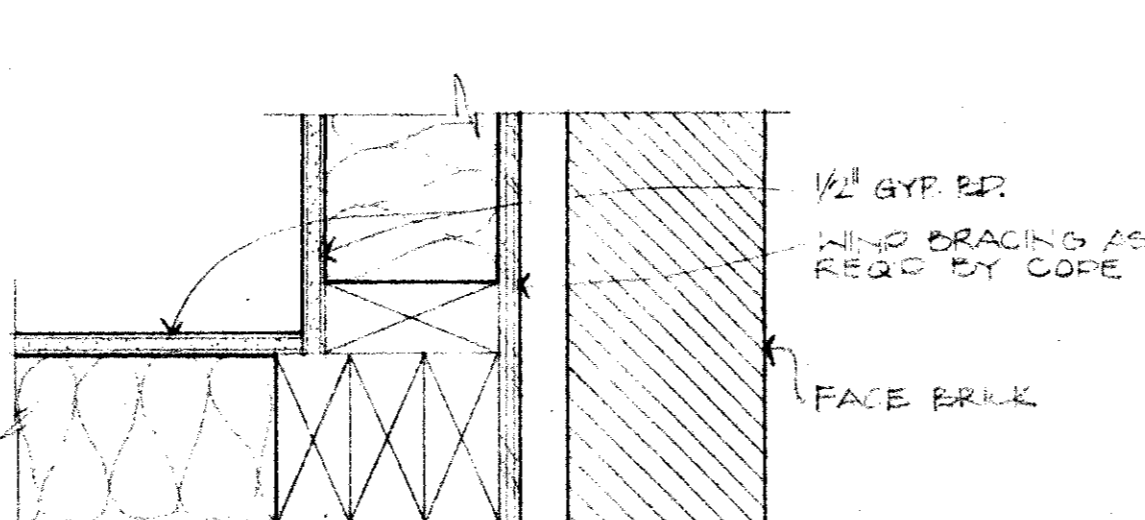
1812 - TYP PLUMBING WL



1805 - SILL (LOWER FLOOR)



ALUM. WINDOW DETAILS

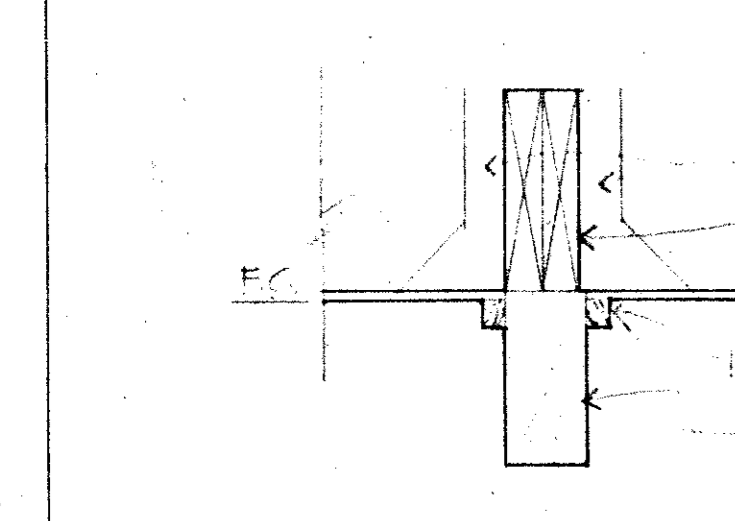


1812 - TYP PLUMBING WL

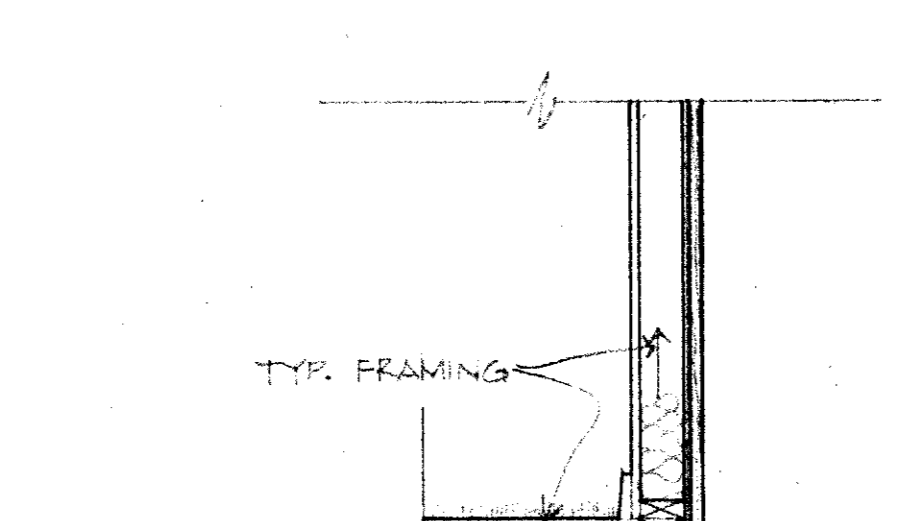
EXTENSION DETALS

ALUM. WINDOW DETAILS

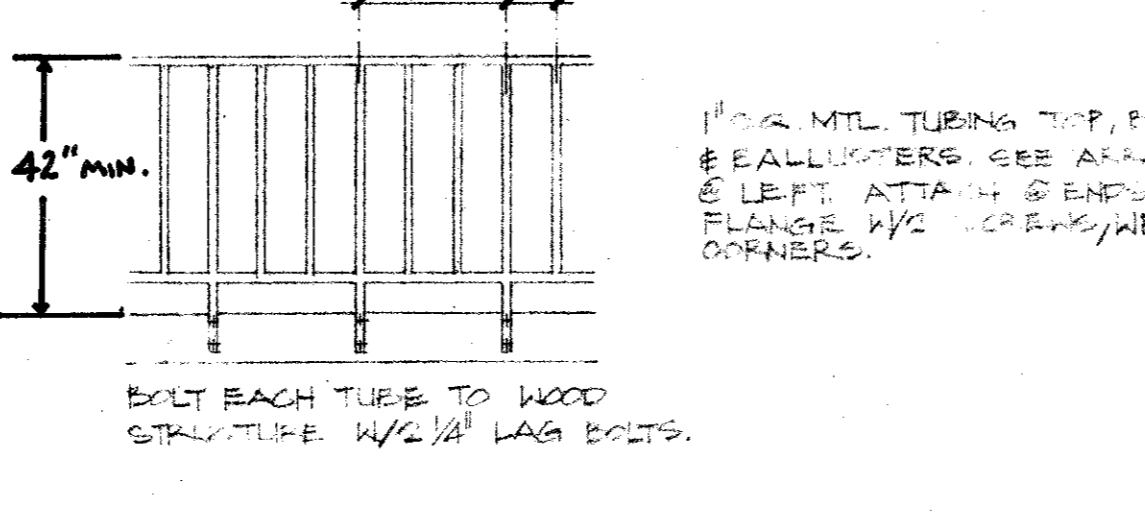
1812 - TYP PLUMBING WL



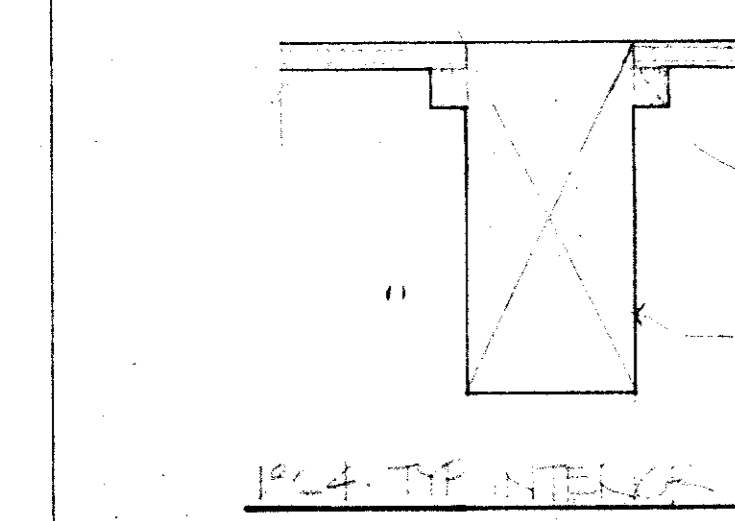
1823 - FM DETAIL @ 2\"/>



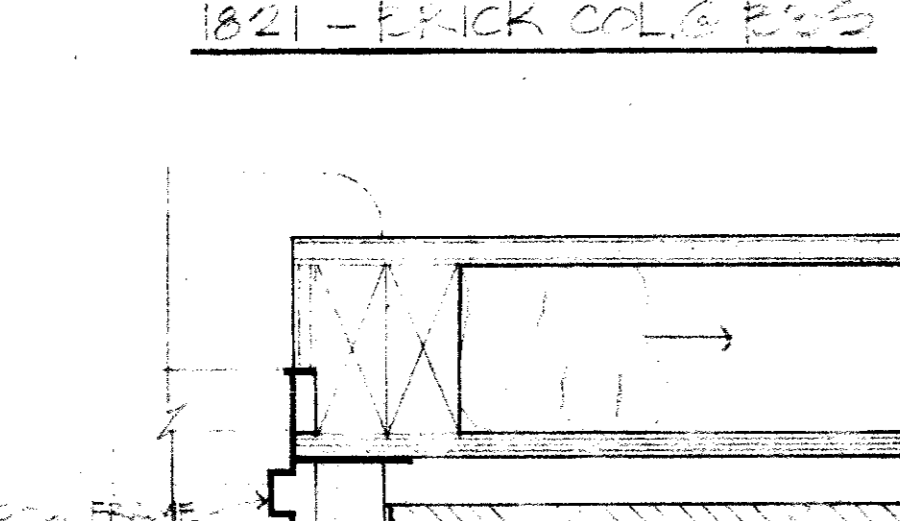
1820 - STAIR WINGWALL DTL



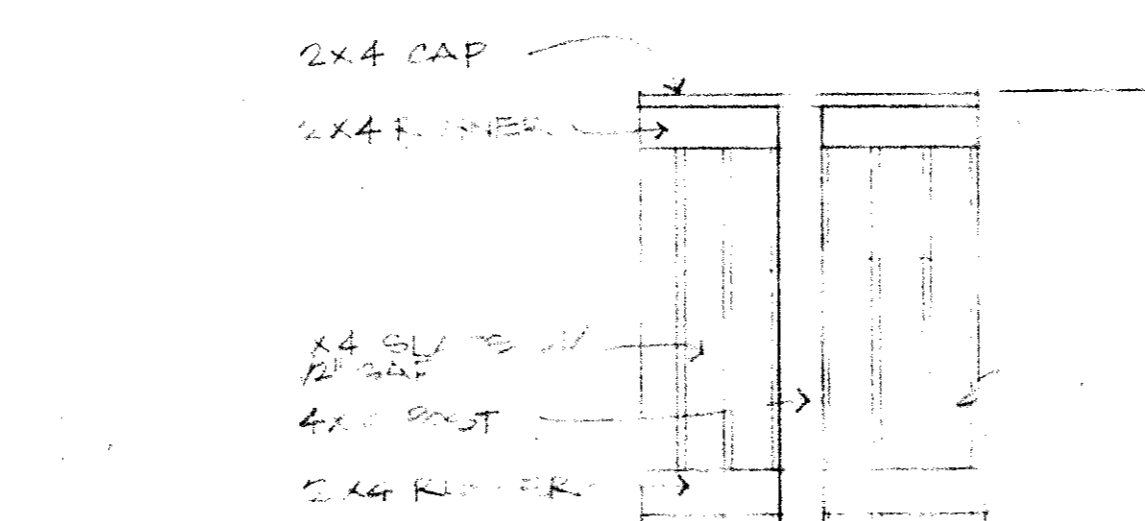
1819 - TYP CORNER DTL



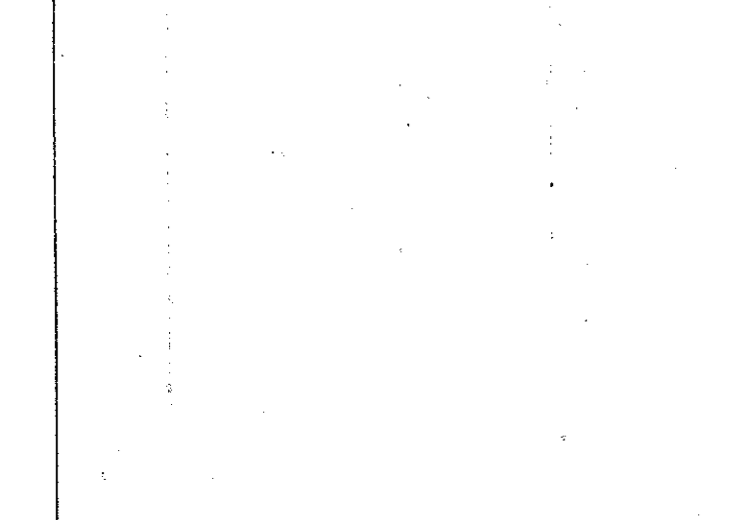
1824 - TYP INTERIOR FM TREATMENT



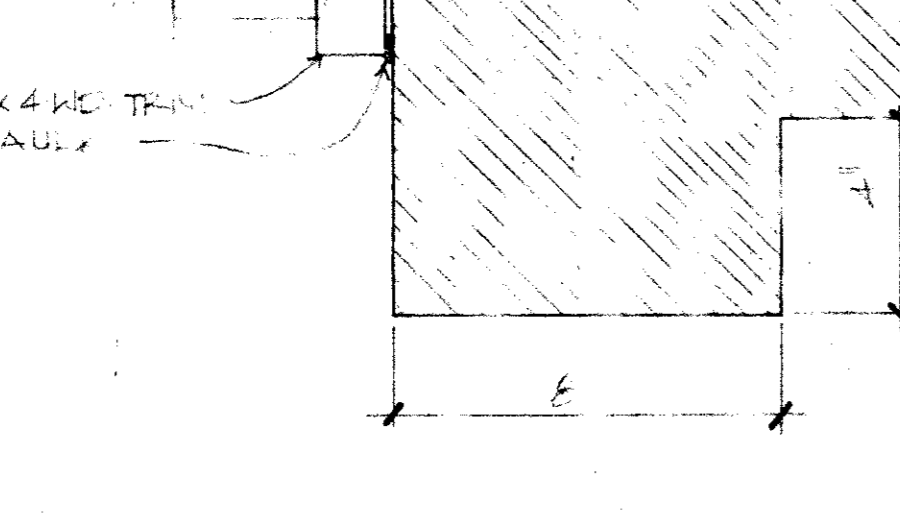
1821 - BRICK COLG BRG



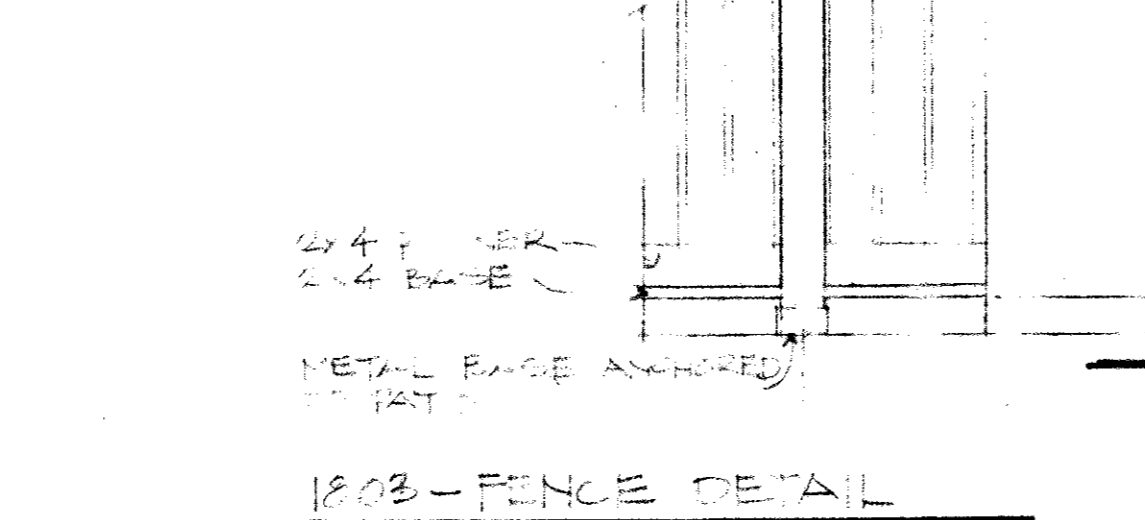
1804 - METAL RAIL



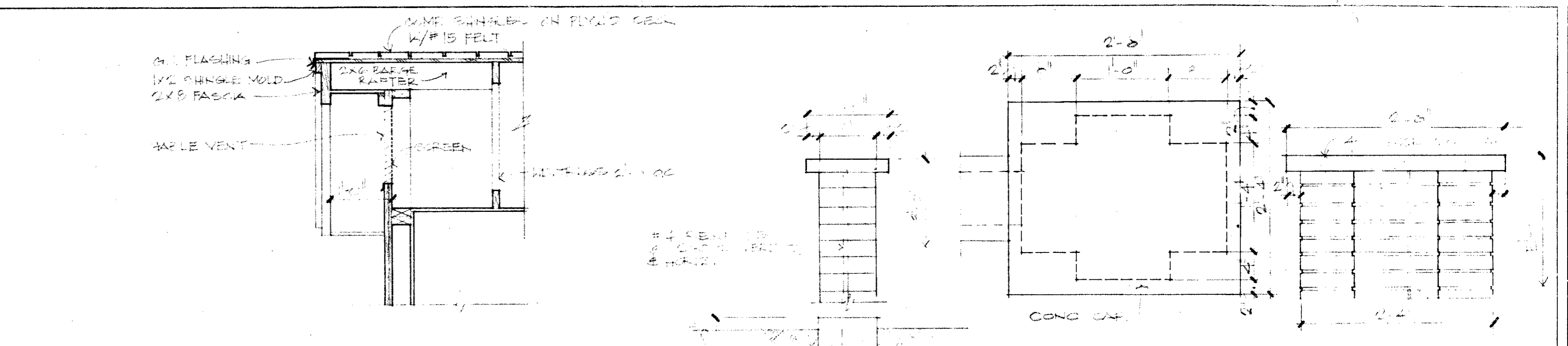
1822 - TYP BRICK LUG DTL



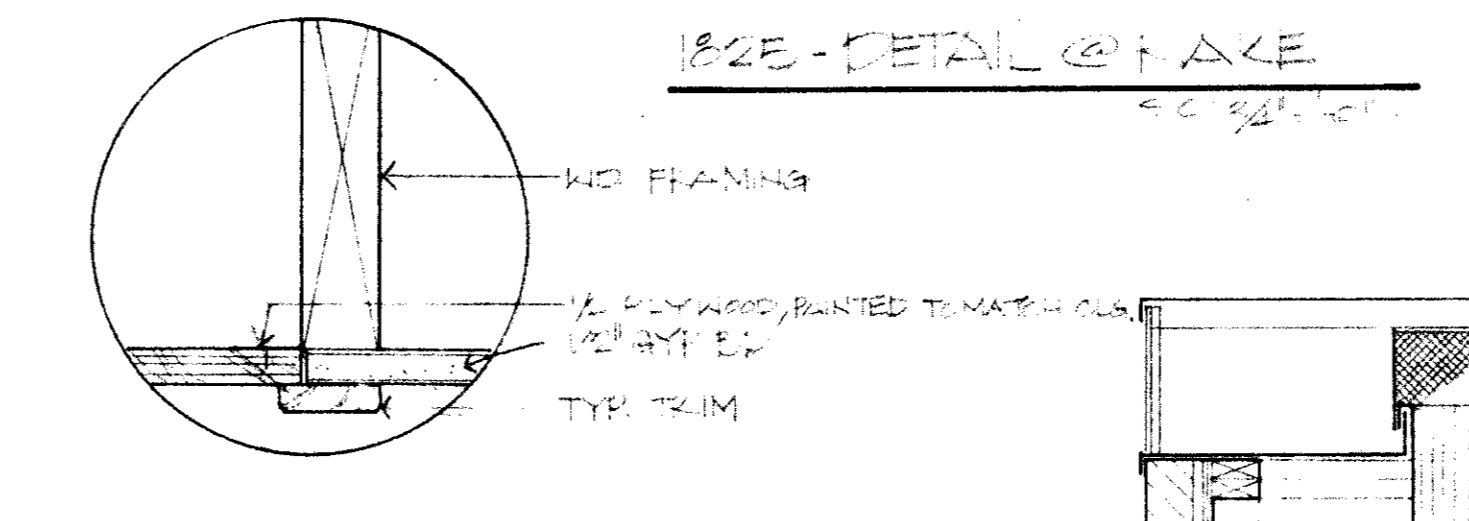
1822 - TYP BRICK LUG DTL



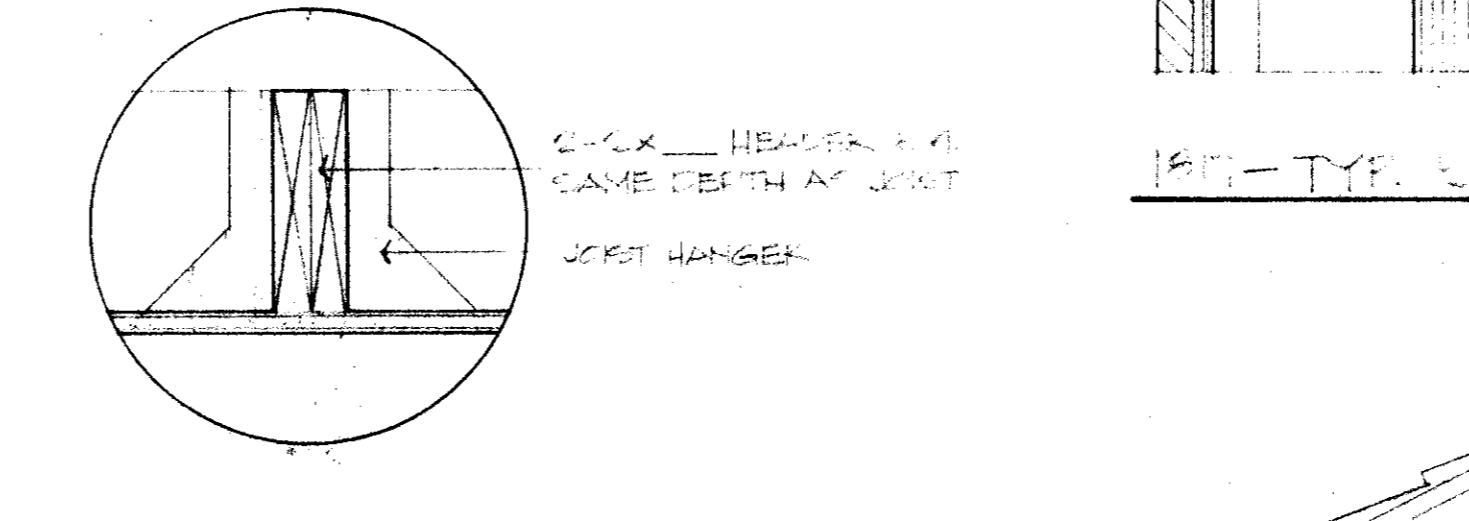
1808 - FENCE DETAIL



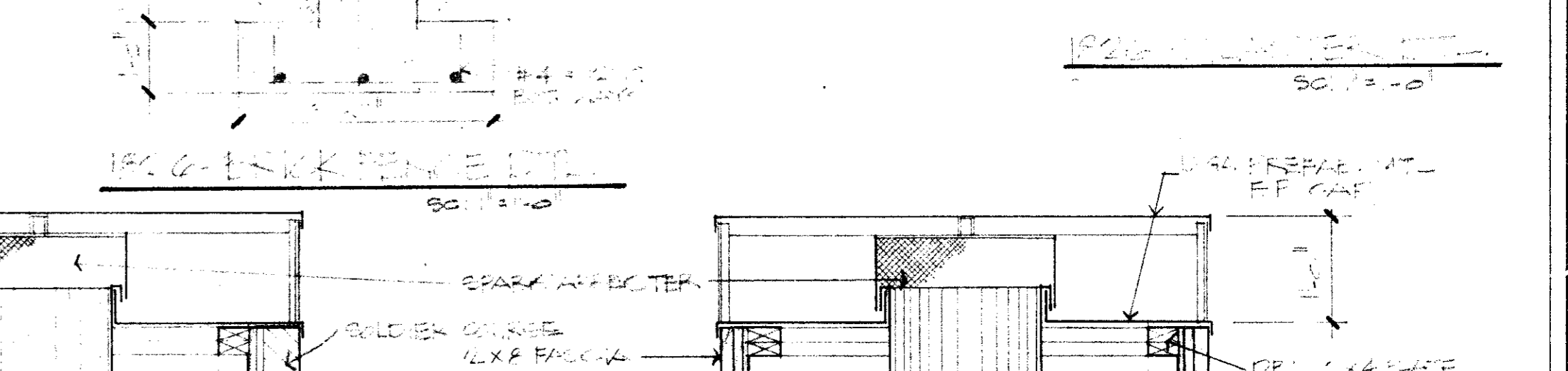
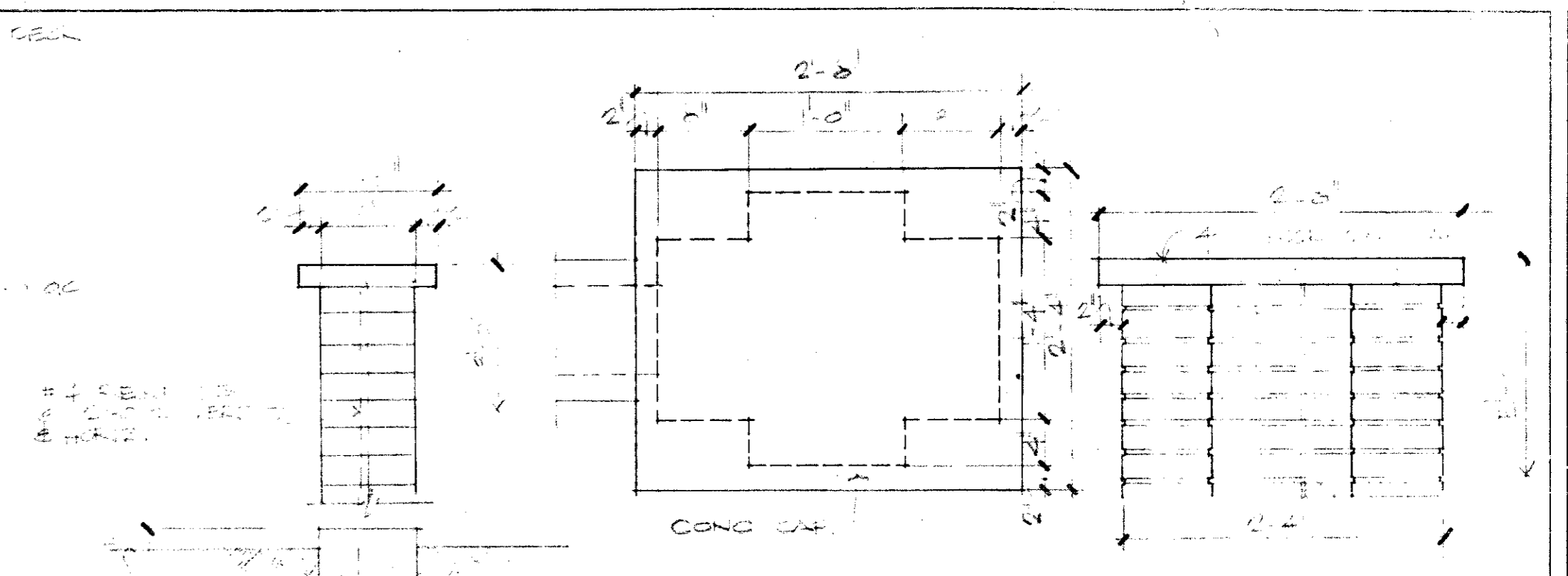
1825 - DETAIL @ 1\"/>



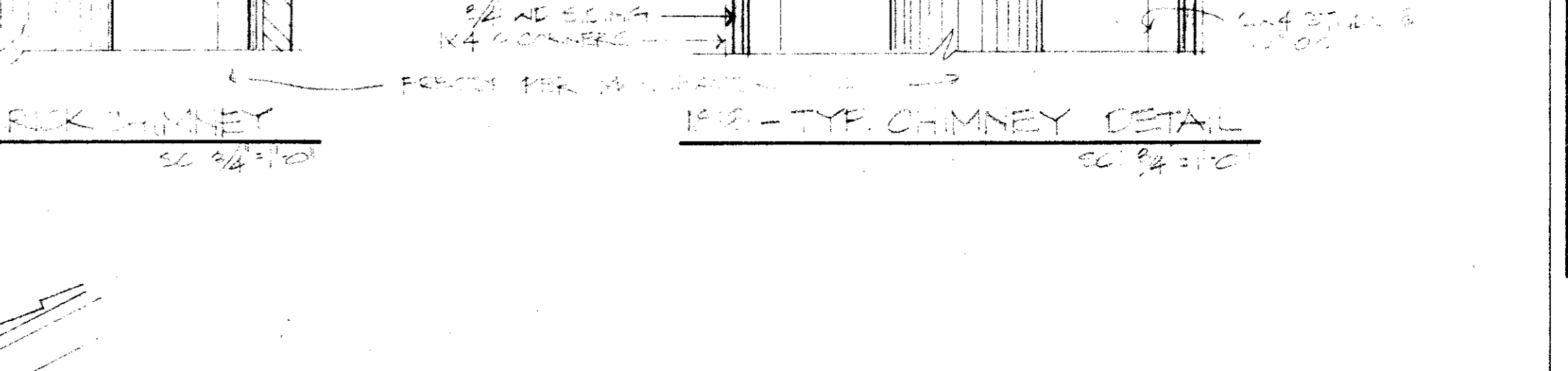
1810 - ATTIC ACCESS PANEL



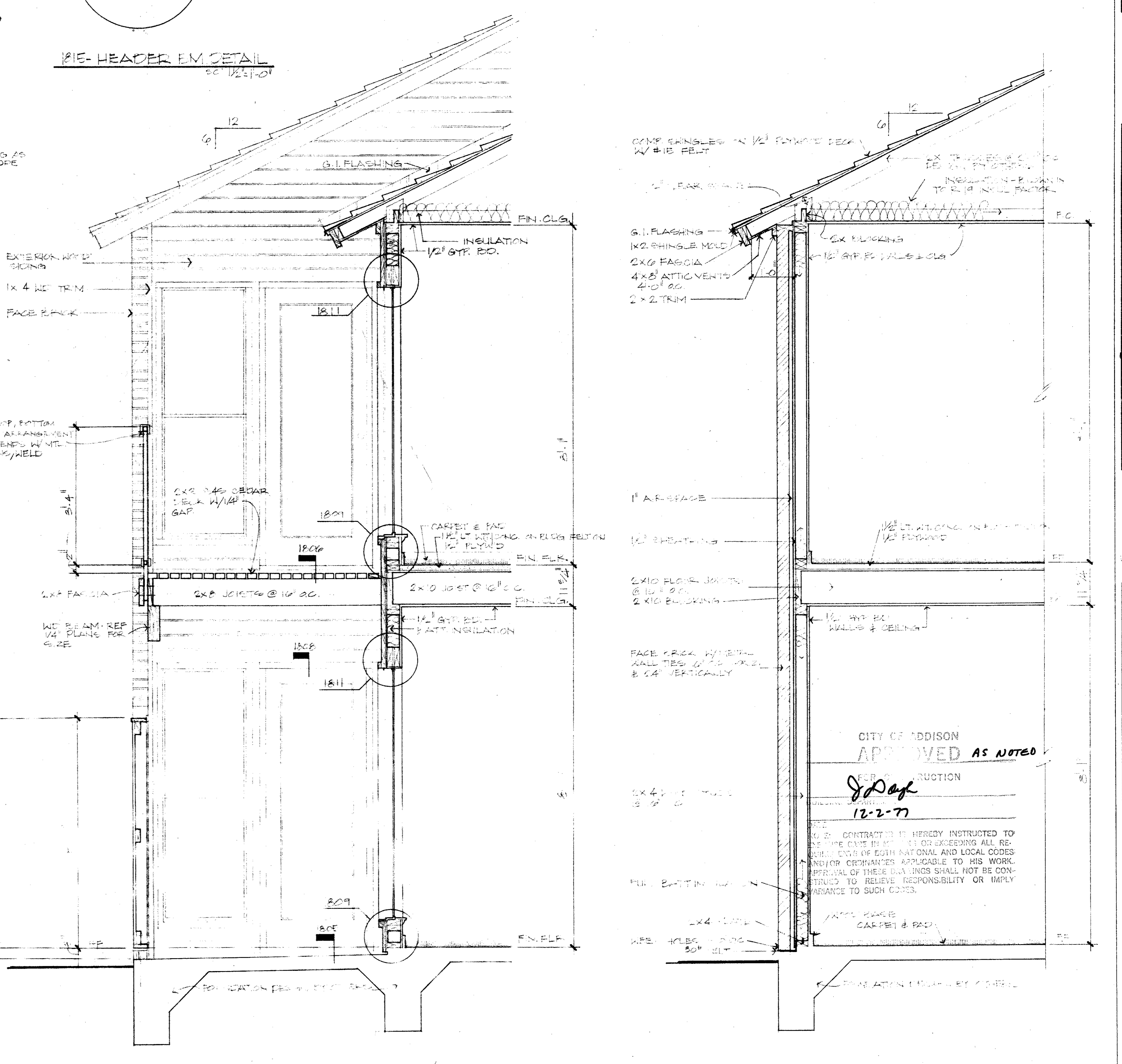
1815 - HEADER FM DETAIL



1825 - DETAIL @ 1\"/>



1825 - DETAIL @ 1\"/>



1802 - TYPICAL SECTION G BALCONY/FATIO

1802 - TYPICAL WALL SECTION

CITY OF ADDISON
 APPROVED As NOTED
 FOR CONSTRUCTION
 J. J. J. 12-2-77
 CONTRACTOR IS HEREBY INSTRUCTED TO
 BE THE CASE IN ALL CASES EXCEEDING ALL RE-
 QUIREMENTS OF BOTH NATIONAL AND LOCAL CODES
 AND/OR ORDINANCES APPLICABLE TO HIS WORK.
 APPROVAL OF THESE DRAWINGS SHALL NOT BE CON-
 SIDERED TO RELIEVE RESPONSIBILITY OR IMPLY
 WAIVER TO SUCH CODES.

TYPICAL WALL SECTIONS
 DOOR & WINDOW DETAILS
 MISCELLANEOUS DETAILS
 RENT THREE BRICK APARTMENTS
 A 240 UNIT COMPLEX
 ADDISON
 PULSON INVESTMENTS INC. CHINA DEVELOPER
 RAWLS & WELTY
 ARCHITECTS & ENGINEERS
 4825 TOLSON DRIVE, SUITE 225
 DALLAS, TEXAS 75244
 CITY OF ADDISON
 APPROVED As NOTED
 FOR CONSTRUCTION
 J. J. J. 12-2-77
 CONTRACTOR IS HEREBY INSTRUCTED TO
 BE THE CASE IN ALL CASES EXCEEDING ALL RE-
 QUIREMENTS OF BOTH NATIONAL AND LOCAL CODES
 AND/OR ORDINANCES APPLICABLE TO HIS WORK.
 APPROVAL OF THESE DRAWINGS SHALL NOT BE CON-
 SIDERED TO RELIEVE RESPONSIBILITY OR IMPLY
 WAIVER TO SUCH CODES.
 DR BY: J. J. J.
 CHK BY: J. J. J.
 REVISIONS:
 1. 12-2-77
 JOB NO. 12007
 DATE: 11-1-77
 SHEET NO.
 18
 OF 24 SHEETS