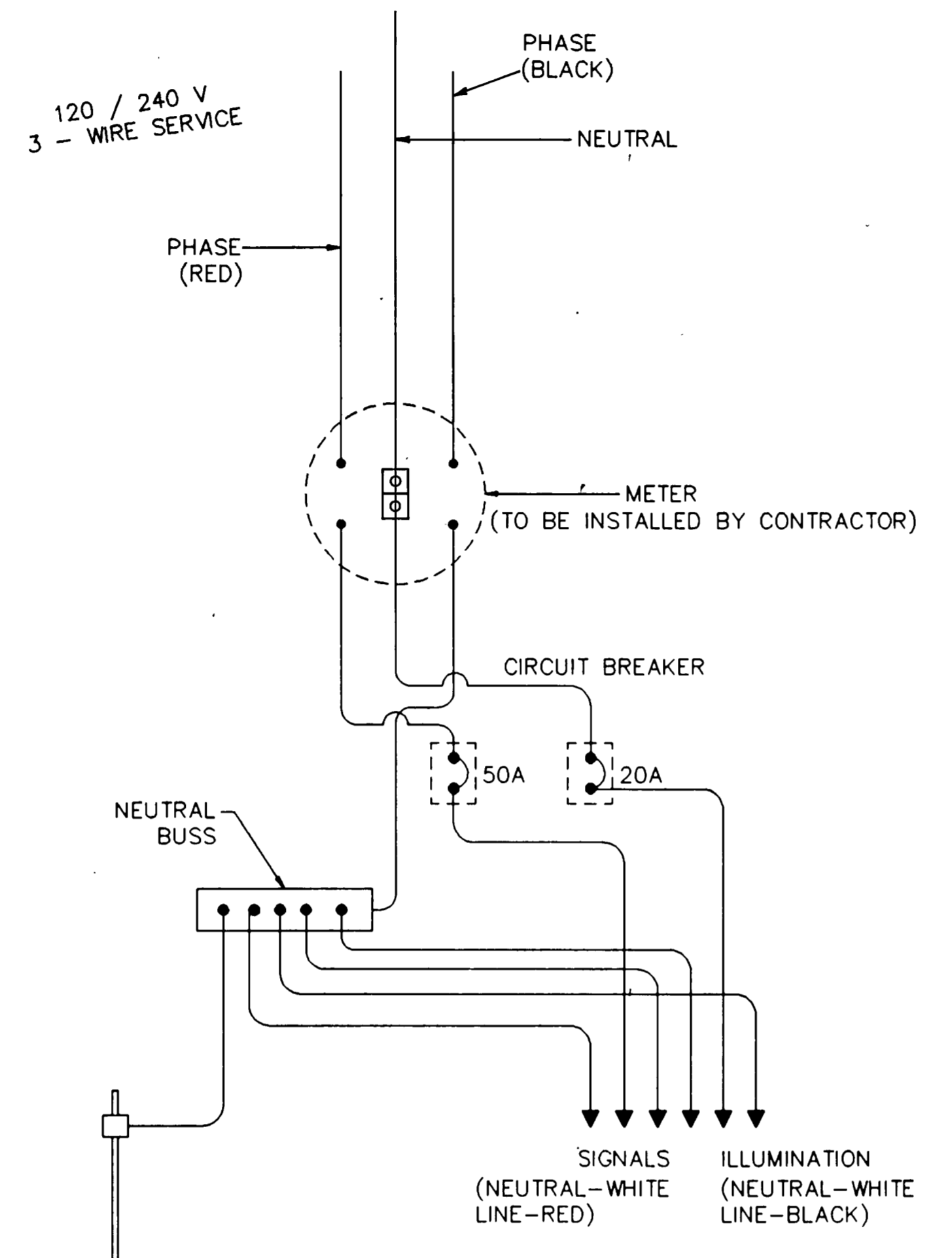
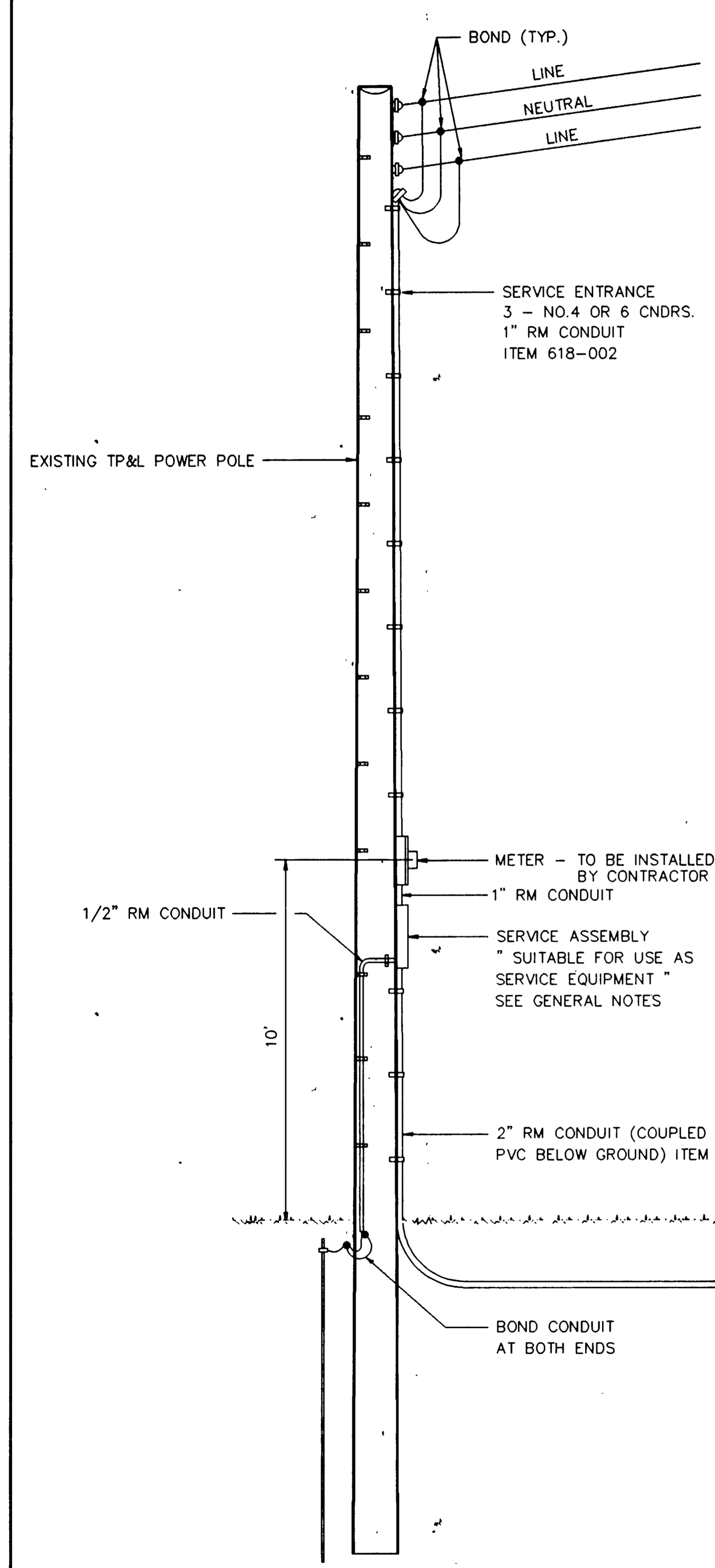


App.	
Revisions	
No.	Date

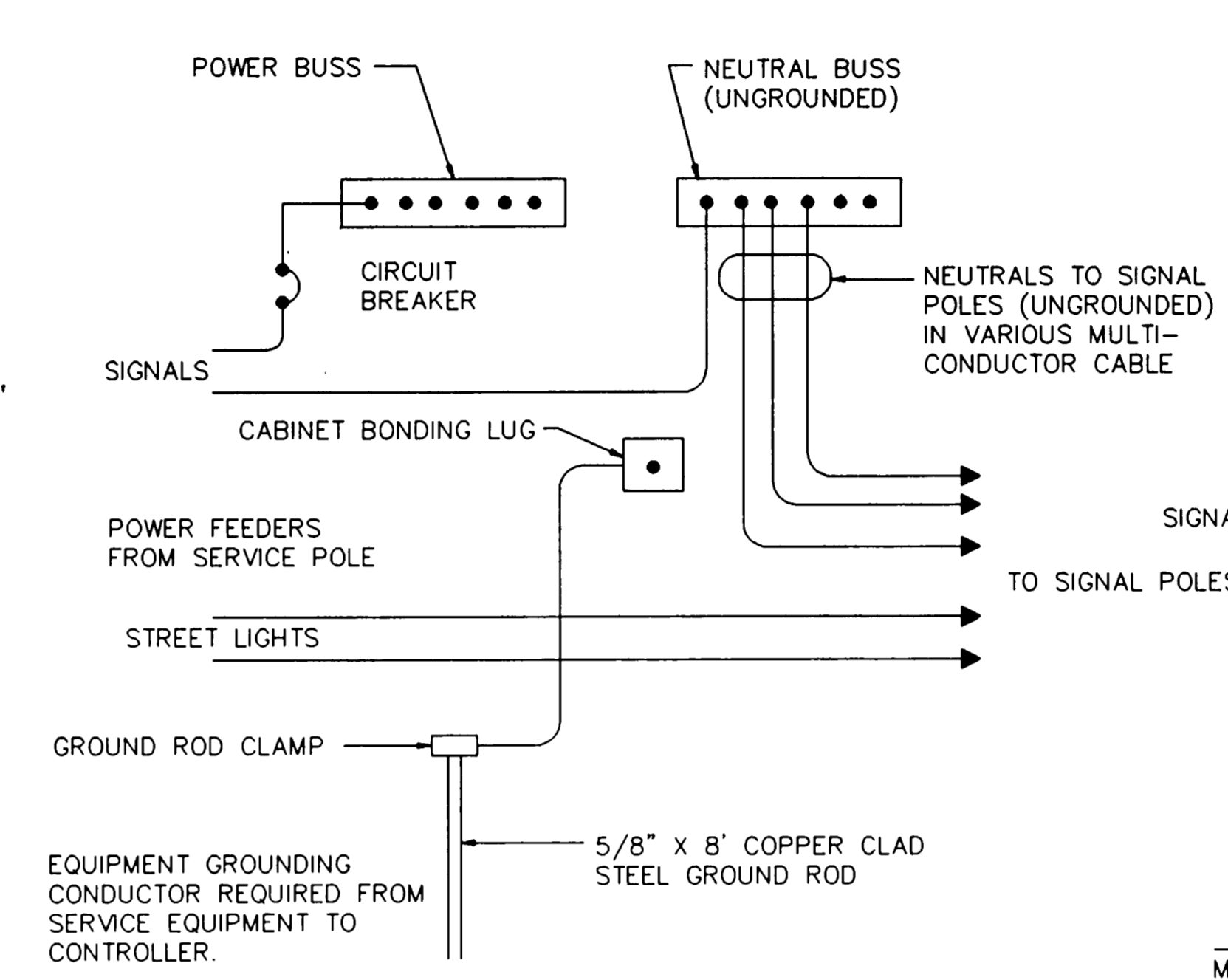


SERVICE POLE AND GROUNDING DETAILS
 Barton-Aschman Associates, Inc.

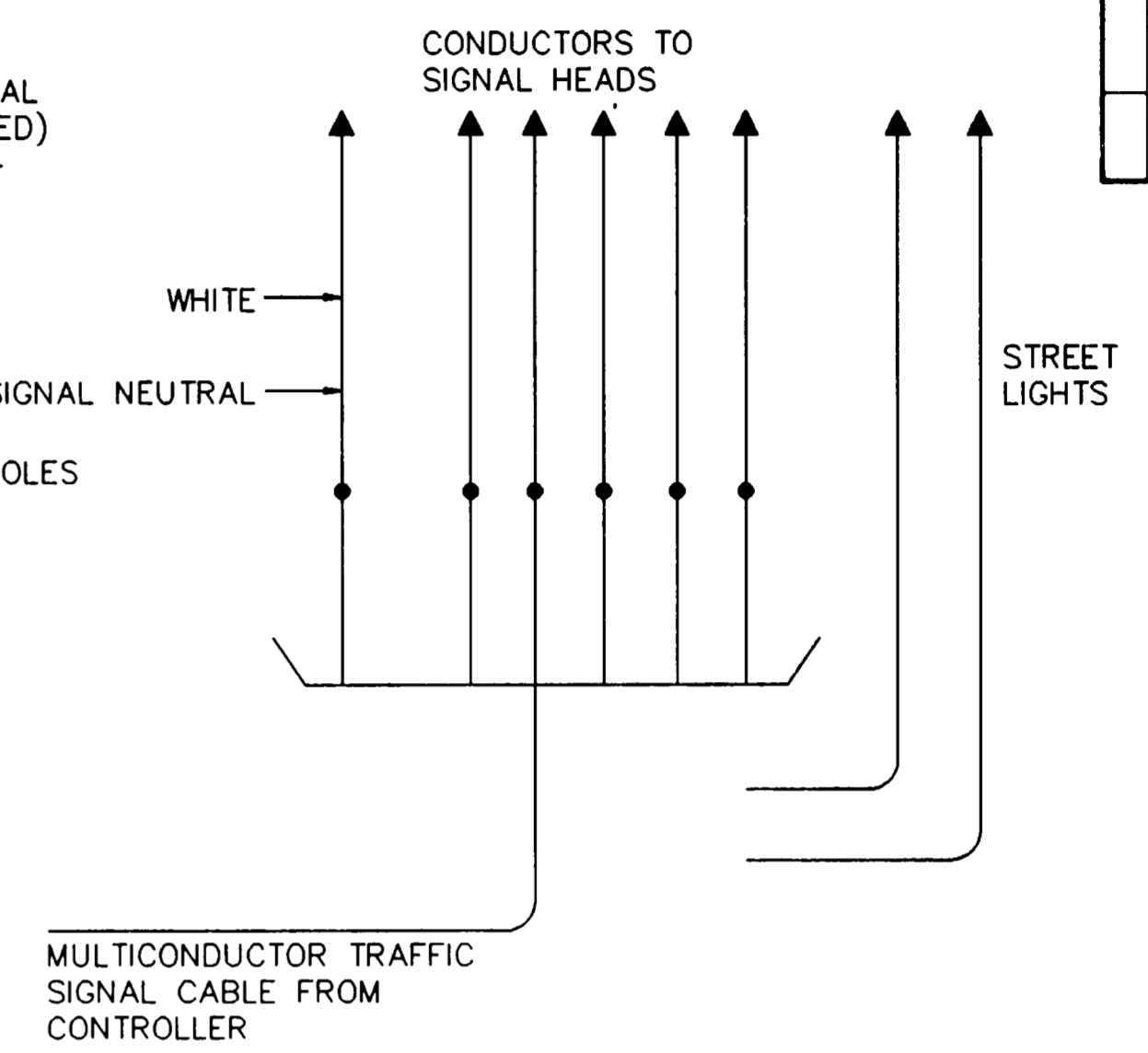
Scale: 1/2"	Date: 11/29/94
Designed by:	
Drawn by:	
Checked by: BKS	
Approved by: BKS	
Project No. 663787-01000	



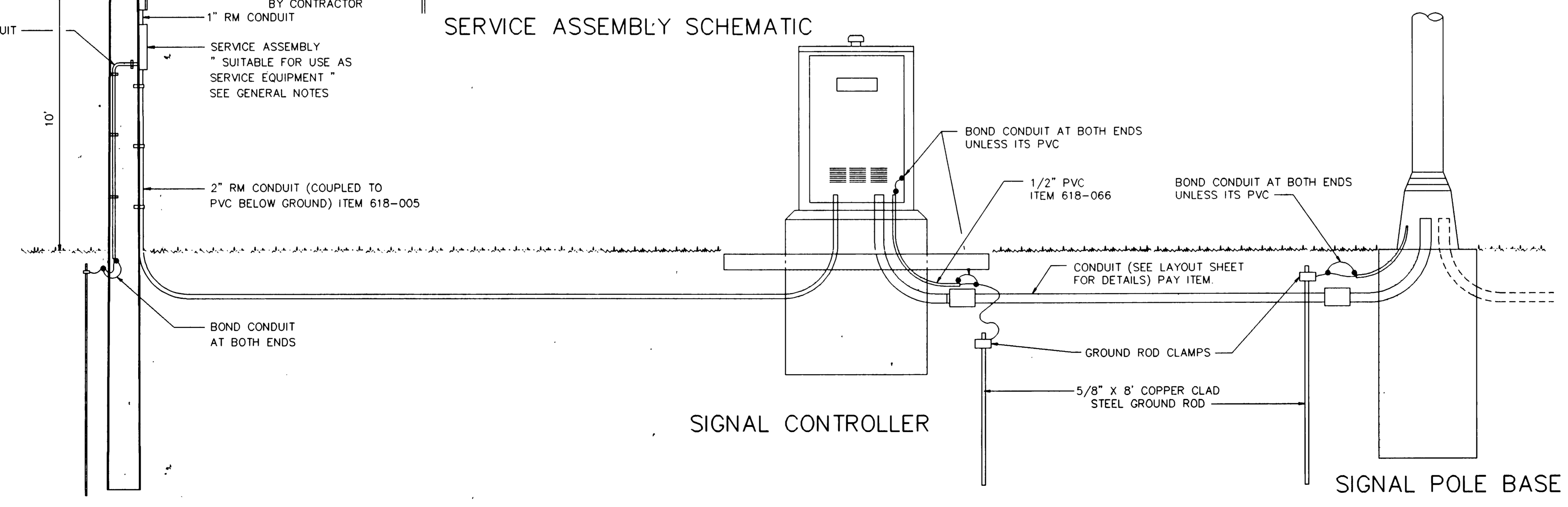
SERVICE ASSEMBLY SCHEMATIC



CONNECTIONS AT SIGNAL CONTROLLERS



CONNECTIONS AT POLE BASE



SIGNAL CONTROLLER

SIGNAL POLE BASE