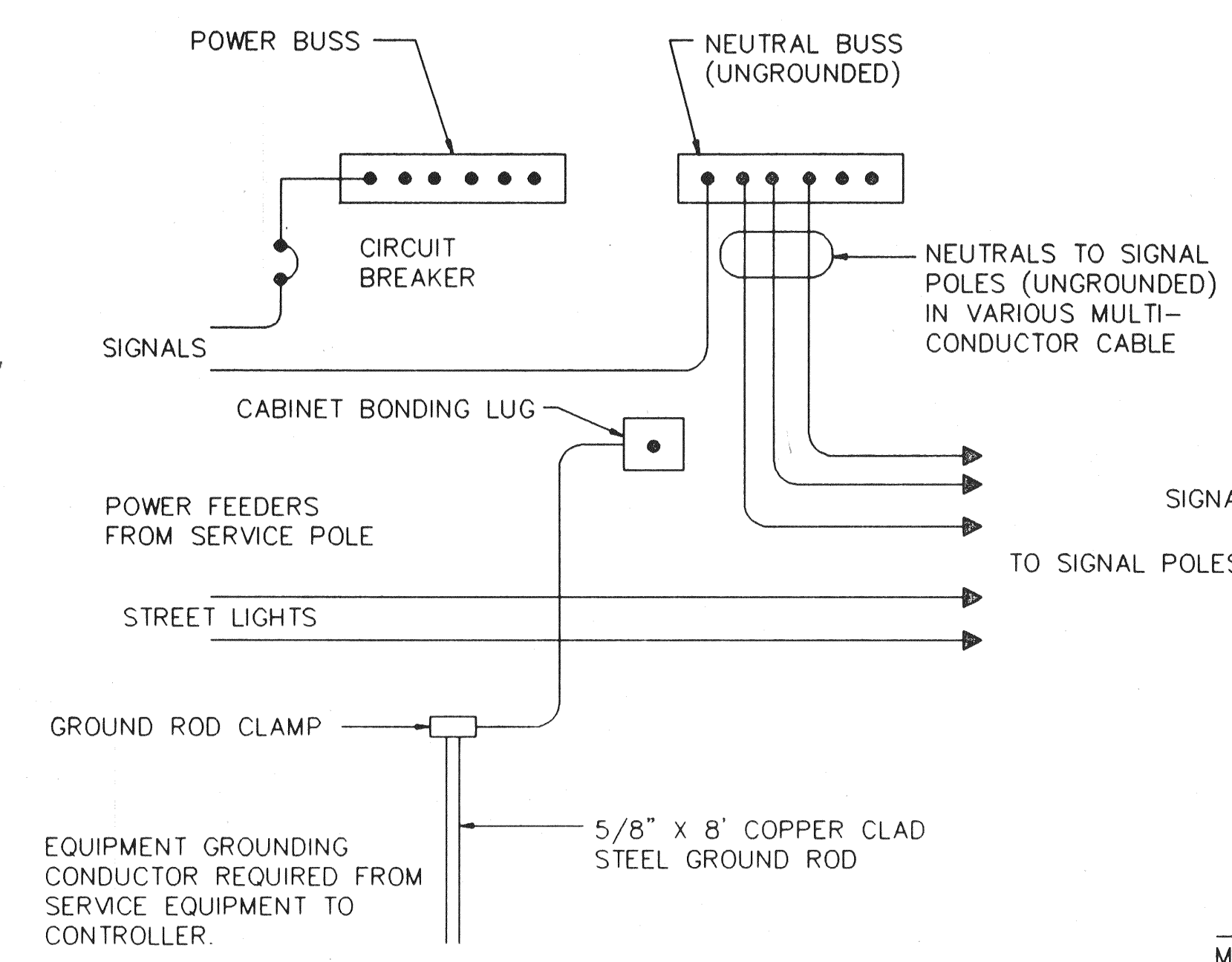
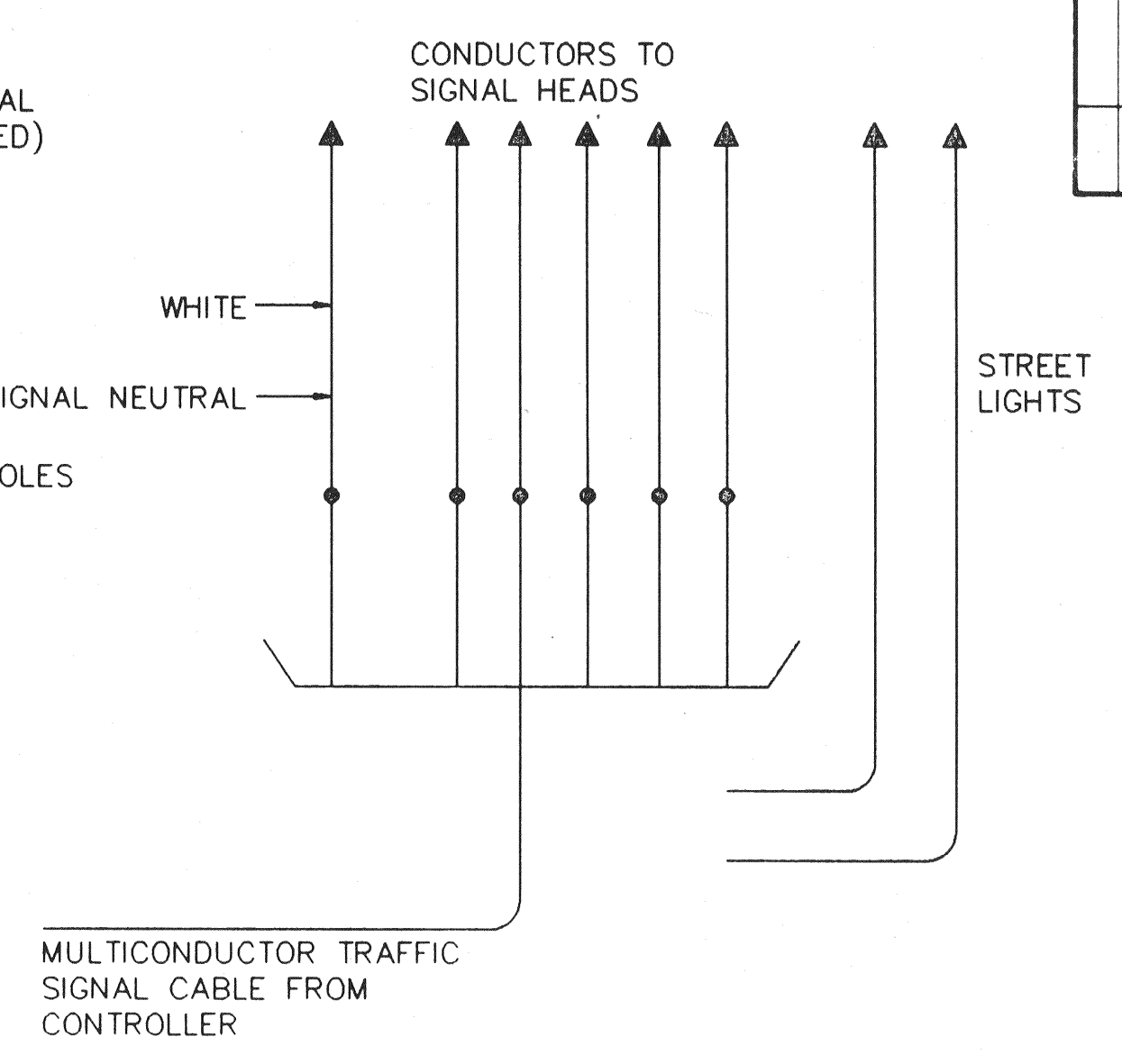


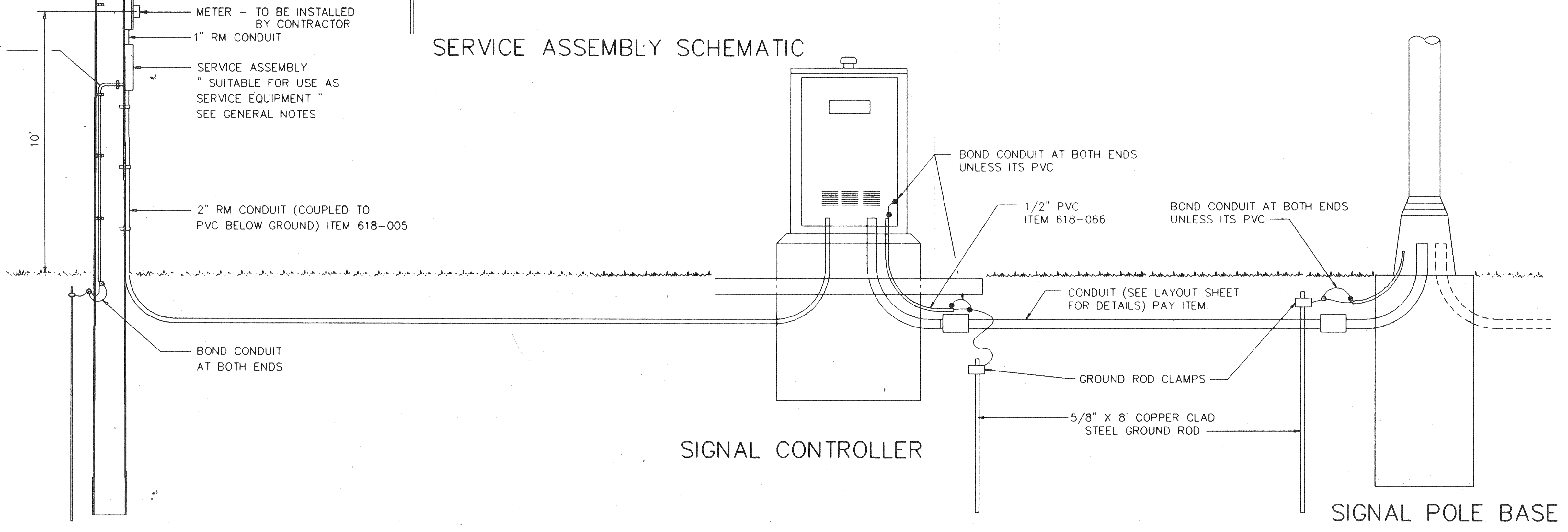
SERVICE ASSEMBLY SCHEMATIC



CONNECTIONS AT SIGNAL CONTROLLERS



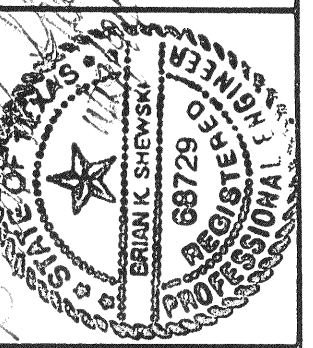
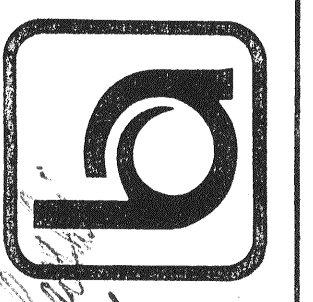
CONNECTIONS AT POLE BASE



SIGNAL CONTROLLER

SIGNAL POLE BASE

No.	Date	Revisions	App.



SERVICE POLE AND GROUNDING DETAILS

Barton-Aschman Associates, Inc.

Scale: H=	Date: 11/29/94
Designed by:	
Drawn by:	
Checked by: BKS	
Approved by: BKS	
Project No. 663787-01000	