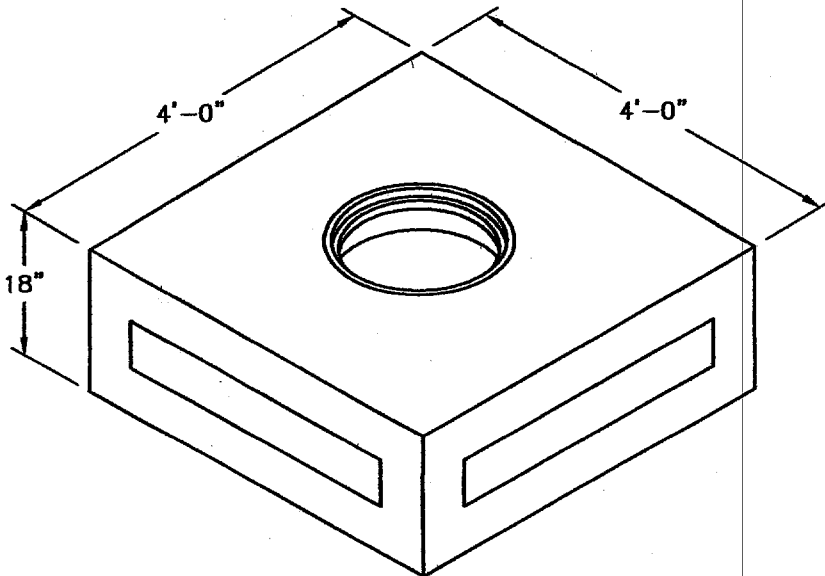


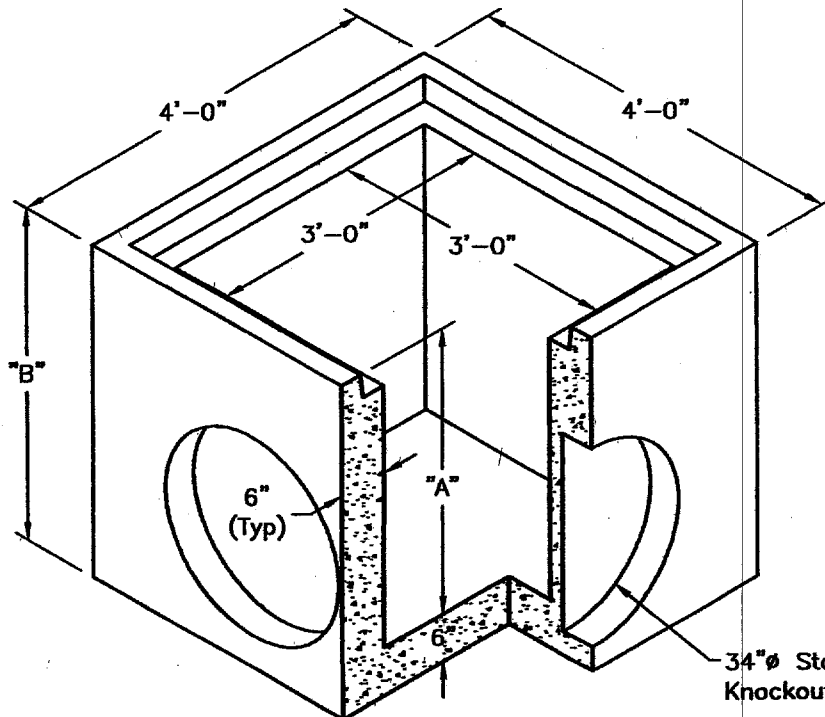
19"Ø C.I. Cover

Weight - 55 Lbs.
Item# - 7102500



"Y" Top w/ Frame

Weight - 1725 Lbs.
Item# - 1207260



Bottom

Weight - See Table
Item# - See Table

SCALE: NONE



JB-330-Y

**3'-0" x 3'-0" I.D.
"Y" Inlet**

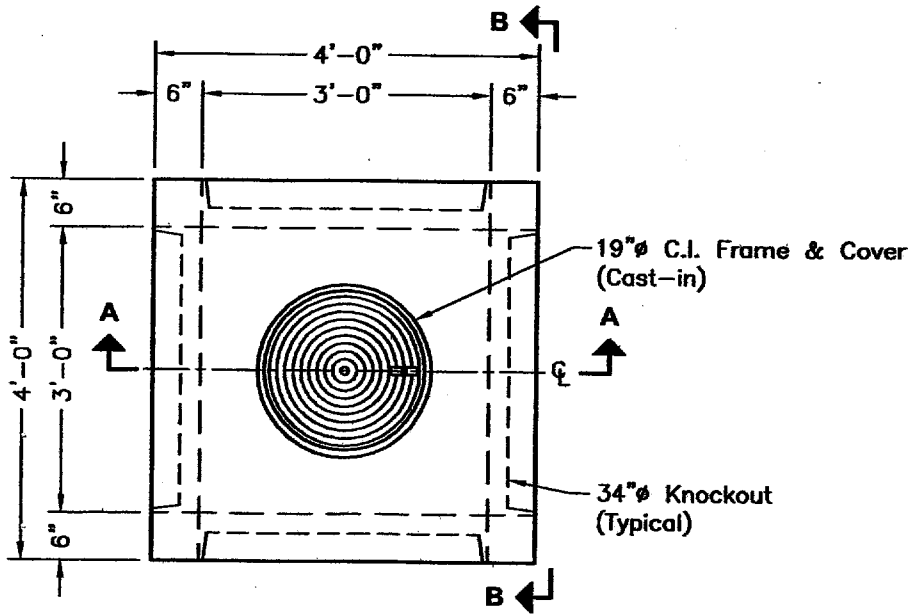
FILE NAME: 260DJJB-330-Y_F.dwg

ISSUE DATE: January, 2003

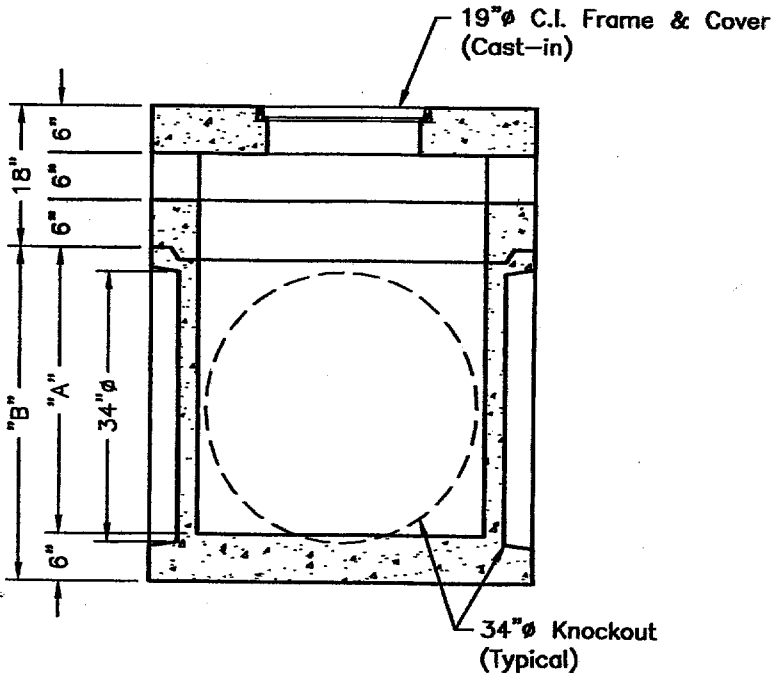
www.oldcastleprecast.com

1100 Heritage Parkway, Mansfield, Texas 76063
Phone: 817.453.1054 Fax: 817.453.4007

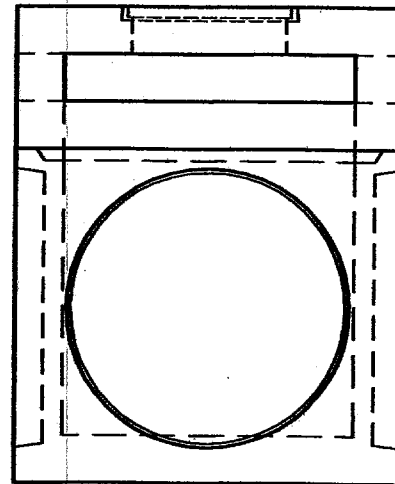
Copyright © 2002 Oldcastle Precast, Inc.



PLAN VIEW



SECTION A-A



ELEVATION B-B

SPECIFICATIONS:

1. Concrete: Has a Design Strength of 5,000 psi at 28 Days.
2. Steel Reinforcement: ASTM A-615, Grade 60 or ASTM A-497 Welded Wire Fabric.
3. Loading: Designed for H2O Loading.
4. C.I. Castings: ASTMA-48, Class 30/35.

GENERAL NOTES:

1. Different Height of Bodies are Available by Request.
2. Other Frame and Covers Also Available.

Bottom Section			
A	B	Weight	Item #
12"	18"	2250 Lbs.	1203520
24"	30"	3300 Lbs.	1203660
30"	36"	3825 Lbs.	1203740
36"	42"	4350 Lbs.	1203780
42"	48"	4875 Lbs.	1203880
48"	54"	5400 Lbs.	1203960
60"	66"	6450 Lbs.	1204060

SCALE: 1/2"=1'-0"



1100 Heritage Parkway, Mansfield, Texas 76063
Phone: 817.453.1054 Fax: 817.453.4007

JB-330-Y

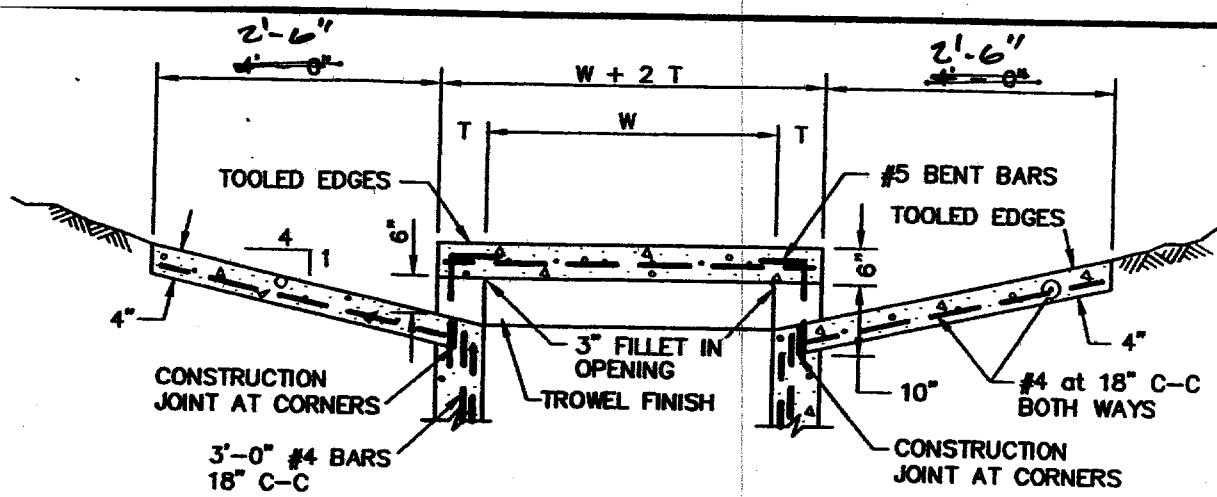
FILE NAME: 260DJJB-330-Y_B.dwg

ISSUE DATE: January, 2003

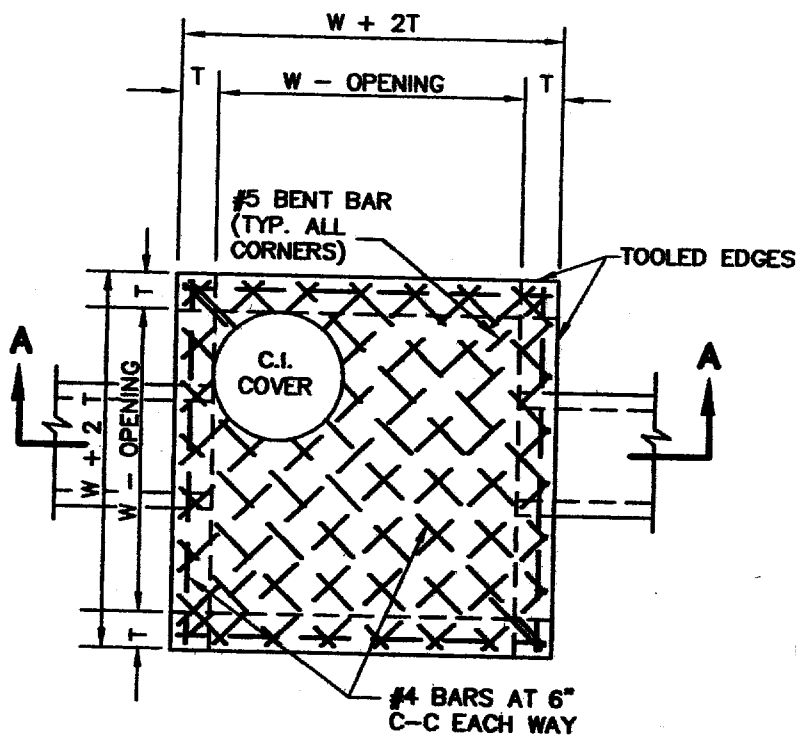
www.oldcastleprecast.com

**3'-0" x 3'-0" I.D.
"Y" Inlet**

Copyright © 2002 Oldcastle Precast, Inc.



SECTION "A-A"
N.T.S.



PLAN OF TOP SLAB
N.T.S.

INLET SIZE	T	W
2' SQUARE	7"	2'-0"
4' SQUARE	7"	4'-0"
5' SQUARE	8"	5'-0"
6' SQUARE	9"	6'-0"

NOTES:

1. MATERIAL AND WORKMANSHIP SHALL CONFORM WITH THE REQUIREMENTS OF NCTCOG STANDARD SPECIFICATIONS FOR STANDARD CONCRETE MANHOLES. MINIMUM CLASS "A" CONCRETE.
2. LAYERS OF REINFORCING STEEL NEAREST THE INTERIOR AND EXTERIOR SURFACES SHALL HAVE A COVER OF 2" TO THE CENTER OF BARS, UNLESS OTHERWISE NOTED.
3. FOR DETAILS OF REINFORCING OF LOWER PORTIONS OF INLET SEE APPROPRIATE SQUARE MANHOLE DETAILS.
4. DEPTH OF DROP INLET FROM FINISHED GRADE TO FLOW LINE OF INLET IS VARIABLE. APPROXIMATE DEPTH WILL BE SHOWN ON PLANS AT LOCATION OF INLET.
5. ALL STANDARD DROP INLETS SHALL HAVE ONE OPENING ON EACH SIDE UNLESS OTHERWISE SHOWN ON PLANS.
6. DECK MAY BE REINFORCED SAME AS 4' SQUARE MANHOLE.

DROP INLET

2'. 4'. 5' OR 6' SQUARE

North Central Texas Council of Governments



STANDARD SPECIFICATION REFERENCE

DATE _____ STANDARD DRAWING NO. _____