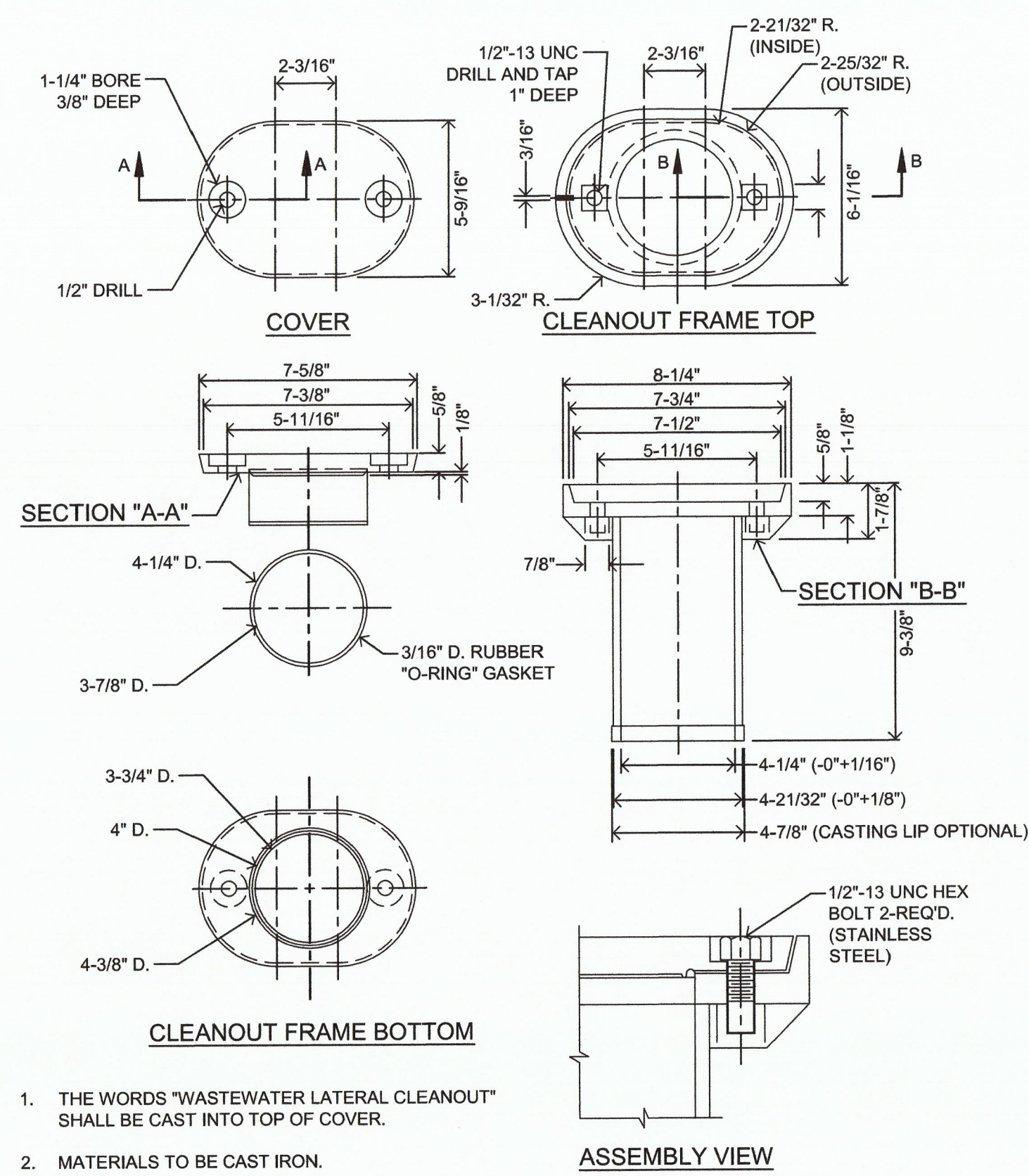


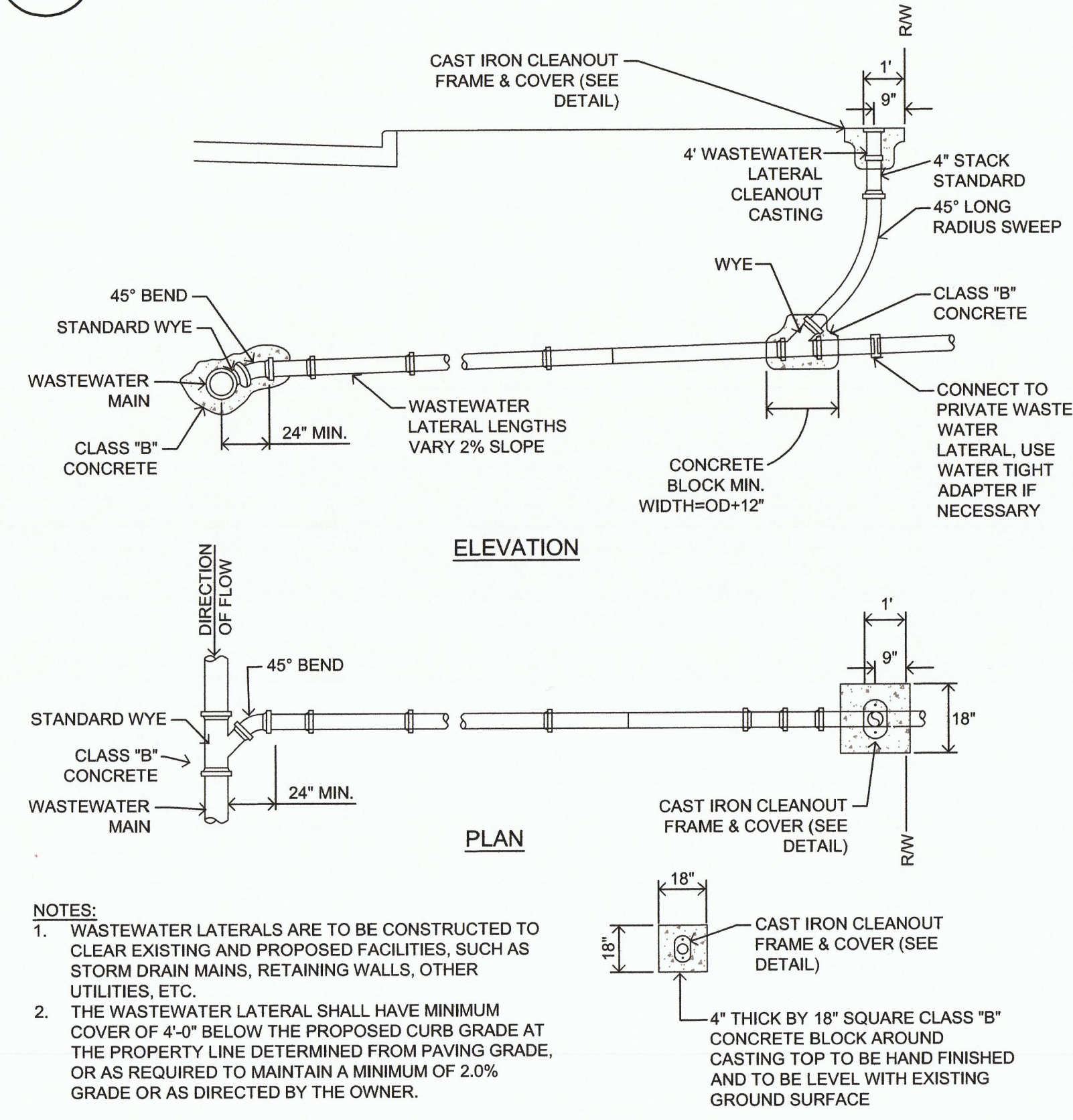
4
2
0
1
G
H
T
G
H
R
I
P
Y
R
C
O
P
Y
R
I
G
H
T
S
R
E
S
E
R
V
E
D
I
N
A
D
D
I
T
I
O
N
A
L
S
Y
S
T
E
M
S
I
N
C
O
R
P
O
R
A
T
E
D
I
N
T
E
X
A
S
I
N
A
P
R
I
L
2
0
1
4



1. THE WORDS "WASTEWATER LATERAL CLEANOUT" SHALL BE CAST INTO TOP OF COVER.
2. MATERIALS TO BE CAST IRON.

PER CITY OF ADDISON
DETAIL SD-WW03

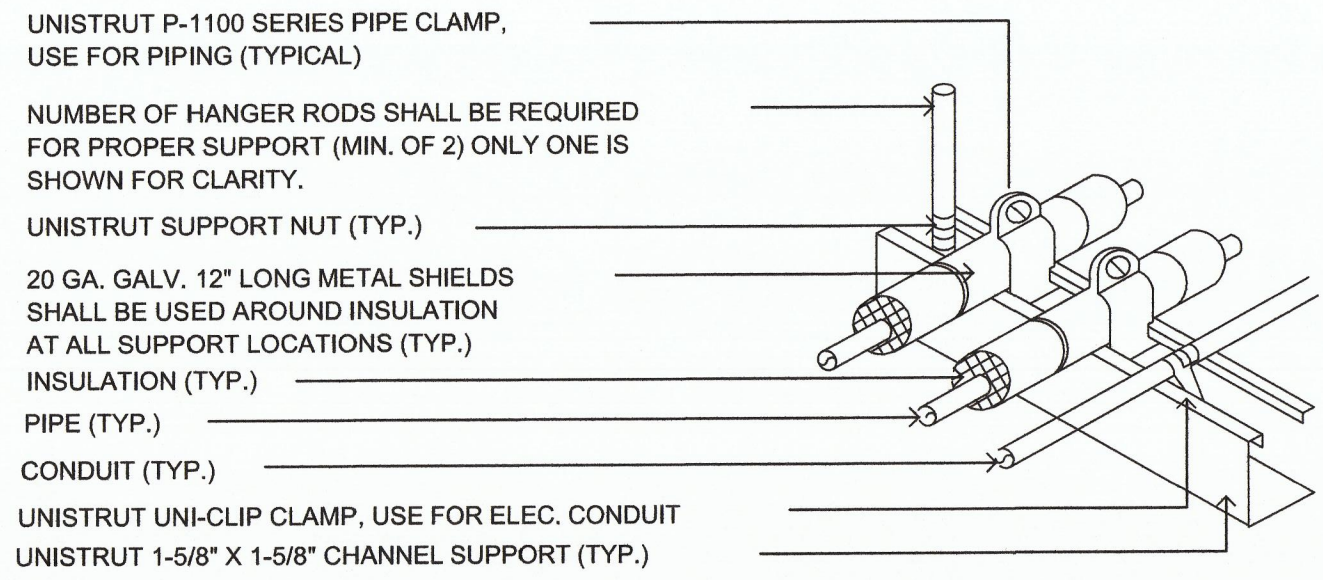
06 CAST IRON CLEANOUT FRAME AND COVER
NOT TO SCALE



1. WASTEWATER LATERALS ARE TO BE CONSTRUCTED TO CLEAR EXISTING AND PROPOSED FACILITIES, SUCH AS STORM DRAIN MAINS, RETAINING WALLS, OTHER UTILITIES, ETC.
2. THE WASTEWATER LATERAL SHALL HAVE MINIMUM COVER OF 4'-0\"/>

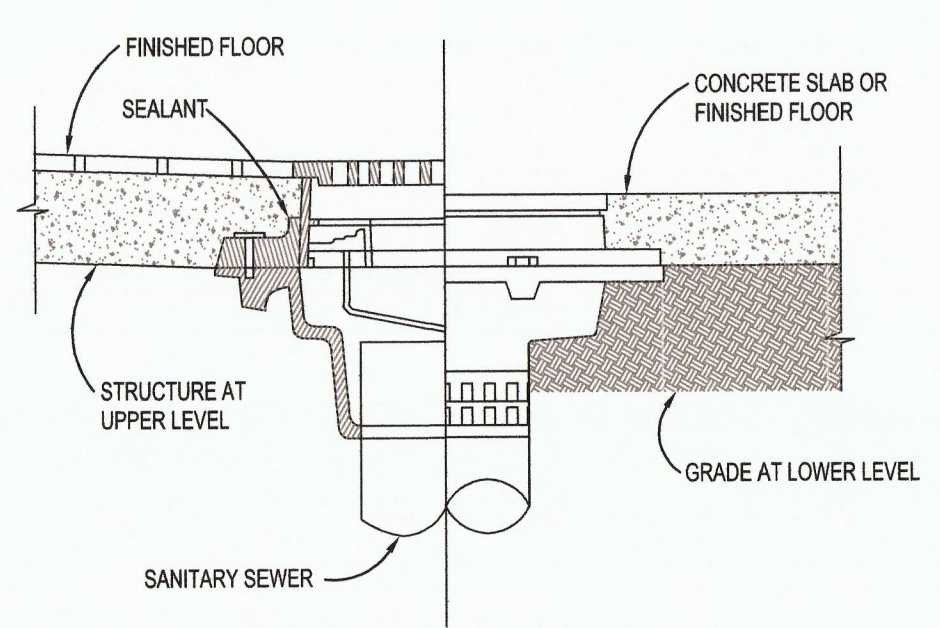
PER CITY OF ADDISON
DETAIL SD-WW02

05 GRADE CLEANOUT DETAIL
NOT TO SCALE

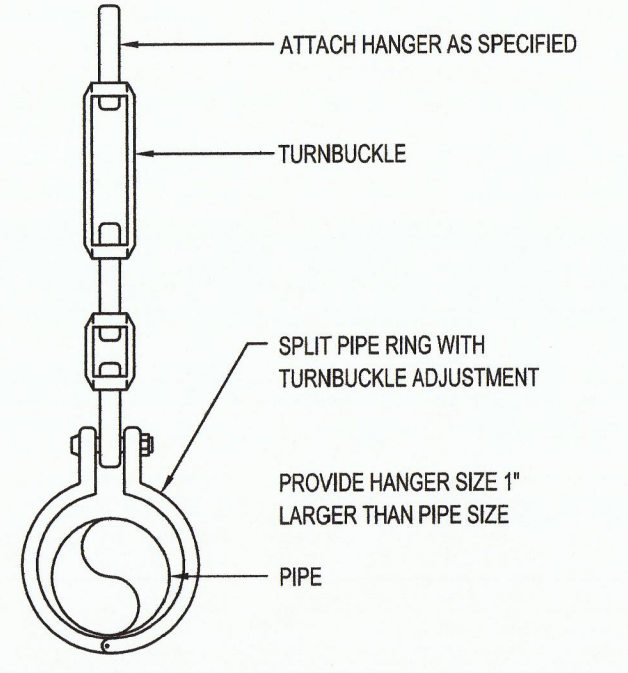


- NOTES:**
1. ALL PIPE CONDUIT, ETC. OF ALL TRADES SHALL BE COMBINED ON SAME SUPPORT CHANNEL WHERE PRACTICAL.
 2. SUPPORT CHANNEL LENGTH SHALL NOT BE DETERMINED UNTIL ALL PIPING, CONDUIT, ETC. TO BE SUPPORTED IS COORDINATED.
 3. SUPPORT CHANNEL SPACING SHALL BE NO MORE THAN 10'-0\"/>

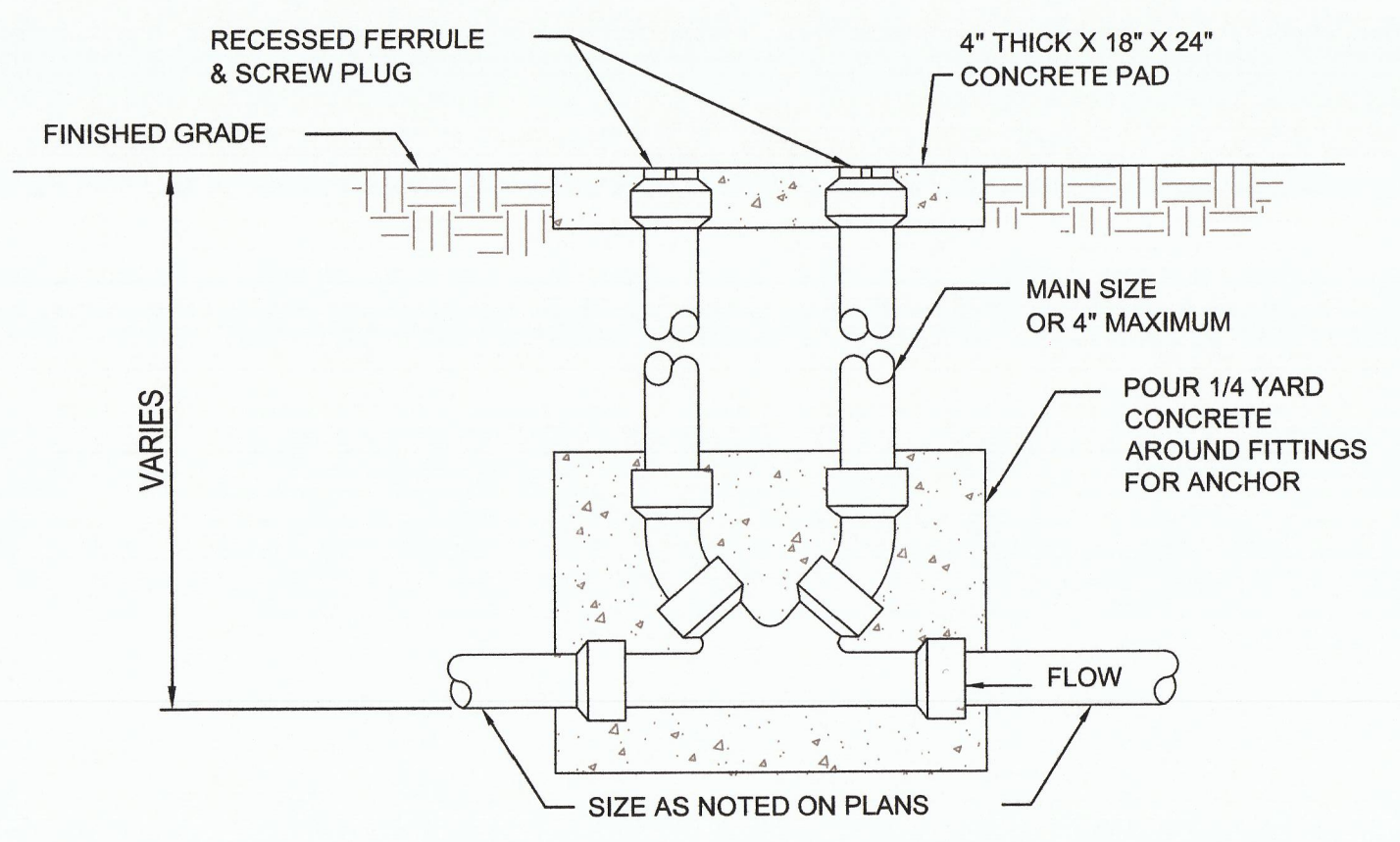
04 PIPING SUPPORT ABOVE CEILING DETAIL
NOT TO SCALE



03 FLOOR DRAIN DETAIL
NOT TO SCALE



02 PIPE HANGER DETAIL
NOT TO SCALE



01 TWO WAY GRADE CLEANOUT DETAIL
NOT TO SCALE

PLUMBING SYMBOLS

	SANITARY SEWER
	COLD WATER
	HOT WATER
	VENT
	GAS PIPING
	GAS PIPING SLEEVED AND VENTED (ALL INTERIOR GAS PIPING)
	FLOOR DRAIN
	FLOOR DRAIN W/ SEDIMENT BUCKET
	BALL VALVE
	WALL CLEAN OUT
	CLEAN OUT
	GRADE CLEAN OUT
	DOUBLE GRADE CLEAN OUT
	ROOF HYDRANT
	VENT THRU ROOF
	ICE MAKER VALVE BOX

PLUMBING GENERAL NOTES

1. FINAL SELECTION OF ALL PLUMBING FIXTURES SHALL BE COORDINATED THROUGH THE ARCHITECT FOR ACCEPTABLE SELECTIONS.
2. ALL PIPE LOCATED ABOVE CEILING IN RETURN AIR PLENUM SHALL BE MADE OF COPPER OR NON COMBUSTIBLE MATERIALS.
3. PLUMBING CONTRACTOR SHALL REFER TO ARCHITECTURAL PLANS FOR EXACT LOCATION OF ALL HANDICAP PLUMBING FIXTURES BEFORE INSTALLATION OF ANY PIPING.
4. PLUMBING CONTRACTOR SHALL COORDINATE EXACT CONNECTION POINTS OF SANITARY AND WATER SERVICES TO EACH BUILDING WITH CIVIL PLANS BEFORE ANY INSTALLATION.
5. PLUMBING CONTRACTOR SHALL COORDINATE LOCATION AND SIZE OF ALL ACCESS DOORS WITH ARCHITECT.
6. INSTALL ALL COLD AND HOT WATER PIPING WITH 1\"/>

PLUMBING FIXTURE CONNECTION SCHEDULE

DESCRIPTION	HOT/TEMP. WATER	COLD WATER	TRAP	WASTE	VENT
WATER CLOSET	-	1	-	4	2
LAVATORY	1/2	1/2	1-1/4	2	1-1/2
SINK	1/2	1/2	1-1/2	2	1-1/2
MOP SINK	1/2	1/2	2	2	2
WATER HEATER, GAS.	3/4	3/4	-	-	-
SHOWER	3/4	3/4	2	2	1-1/2
FLOOR DRAIN	-	-	3	3	1-1/2
HOSE BIB	-	3/4	-	-	-

* REFER TO SPECIFICATIONS FOR FIXTURE TYPE AND CONFIGURATION.
 * REFER TO PLUMBING PLANS AND RISERS FOR ADDITIONAL LINE SIZES.
 * REFER TO ARCHITECTS DRAWINGS FOR ALL FIXTURE MOUNTING HEIGHTS.



ARCHITECT
5G Studio Collaborative, LLC.
800 Jackson St., Suite 500
Dallas, TX 75202
Contact: Paul Merrill
p: 214.670.0050 f: 214.670.0052

STRUCTURAL ENGINEER
Datum Engineers, Inc.
6516 Forest Park Road
Dallas, TX 75235
Contact: Ann-Marie Doughty McSweeney
p: 214.385.0174

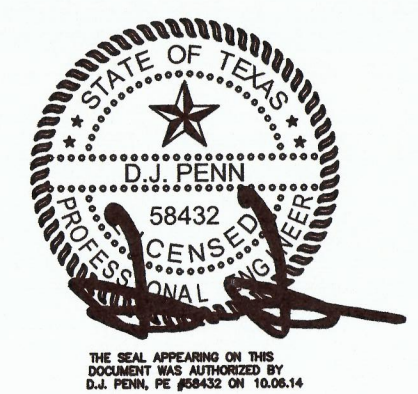
MEP ENGINEER
IEG, LTD
635 Westport Parkway, Suite 300
Grapeland, TX 76051-6747
Contact: Robert Frick
p: 817.410.2858 x 213

LANDSCAPE ARCHITECT
David Hocker Design Group
918 Dragon Street
Dallas Texas 75207
Contact: David Hocker
p: 214.546.7477

All responsibility for the adequacy of these plans remains with the Engineer who prepared them. In approving these plans, the Town of Addison makes no representation of adequacy of the work of the Design Engineer.

APPROVED FOR CONSTRUCTION
Town of Addison
Infrastructure Operations and Services Department
APPROVED BY:
DATE: 11/14/14
* 16601 Westgrove Dr. Addison, TX 75001 (972)450-2871

Rev	DATE	ISSUE TITLE
10	08/14	REVIEW COMMENTS
11	09/14	PERMIT COMMENTS/ISSUE FOR CONS.
12	12/14	PERMIT SET



PRIVATE RESIDENCE
14631 WINNWOOD
ADDISON, TX
PLUMBING DETAILS

P05.01