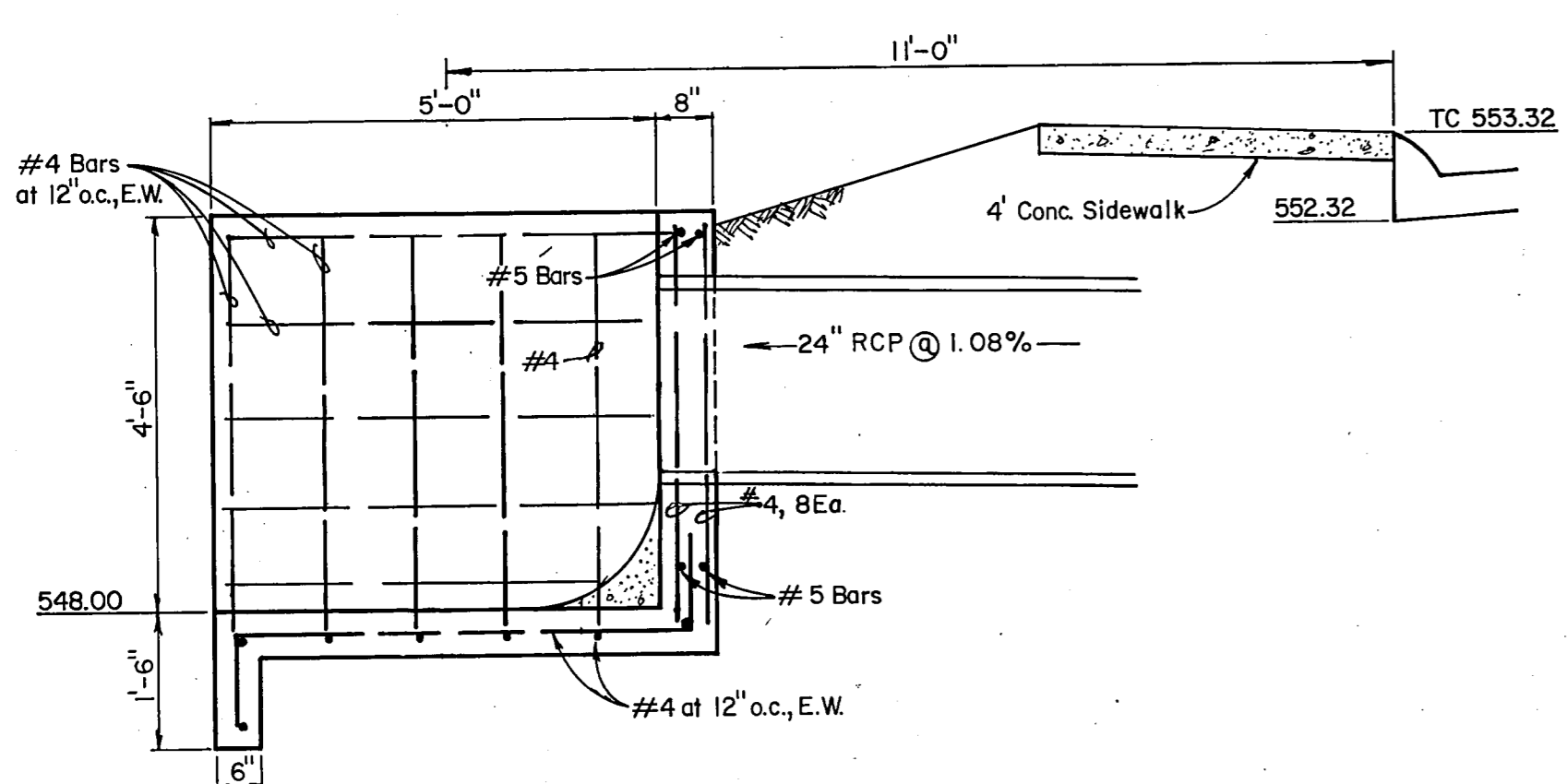


SECTION B-B

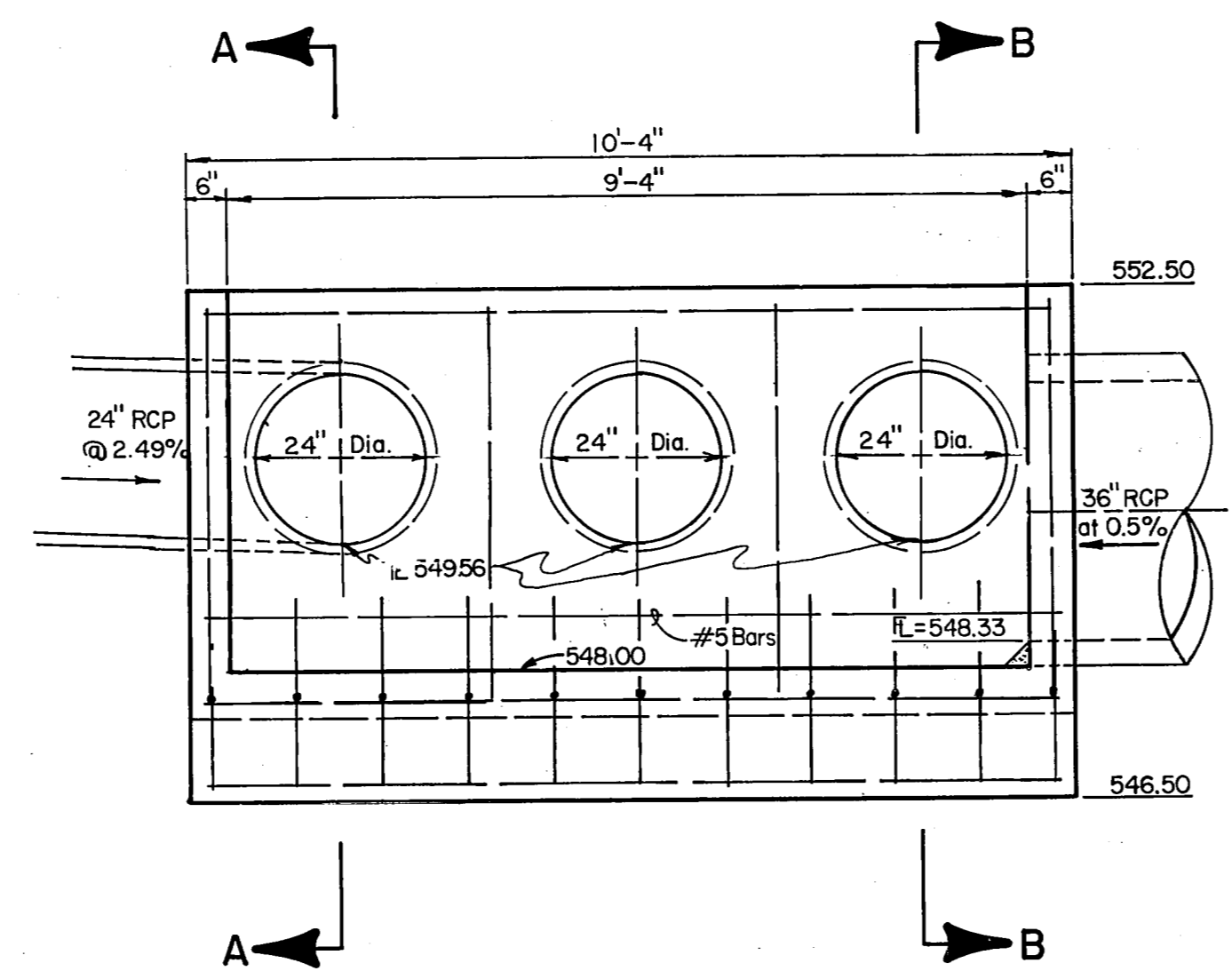
PLAN



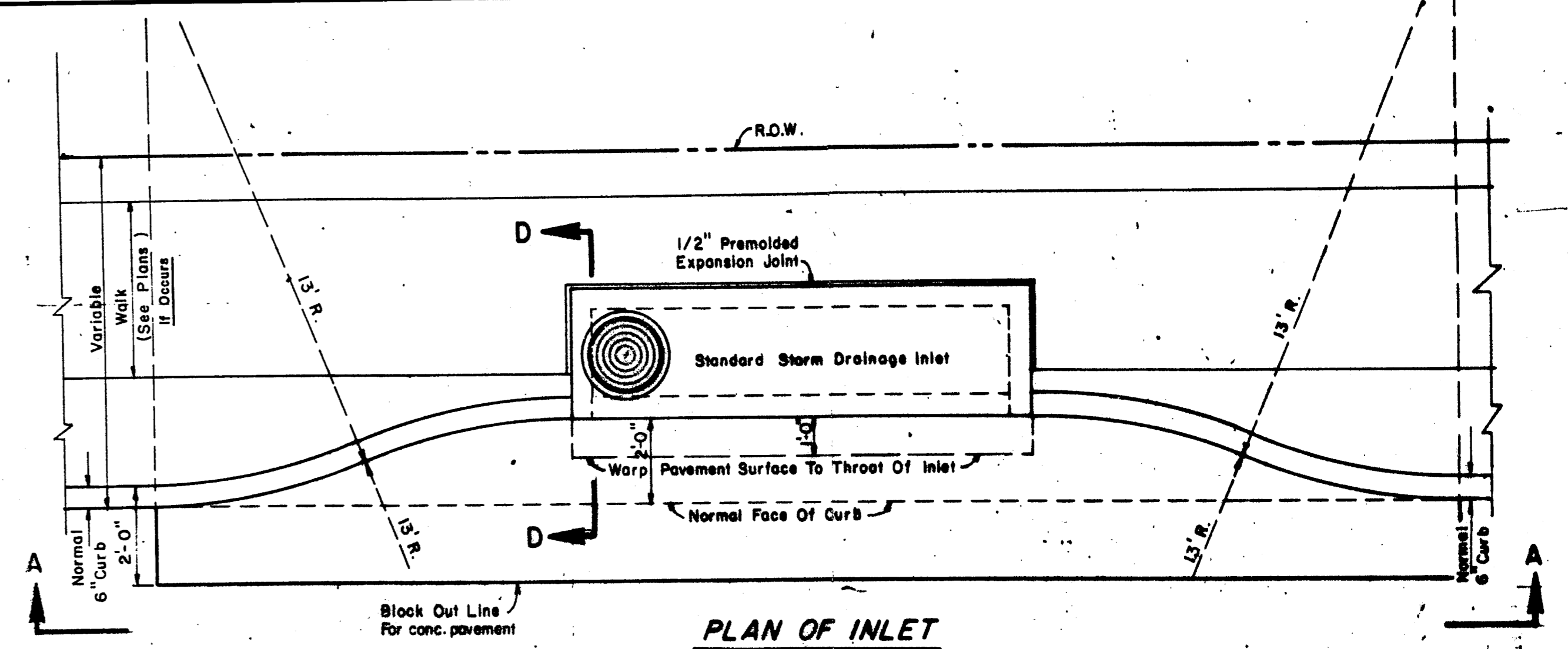
SECTION A-A

MODIFIED HEADWALL DETAIL

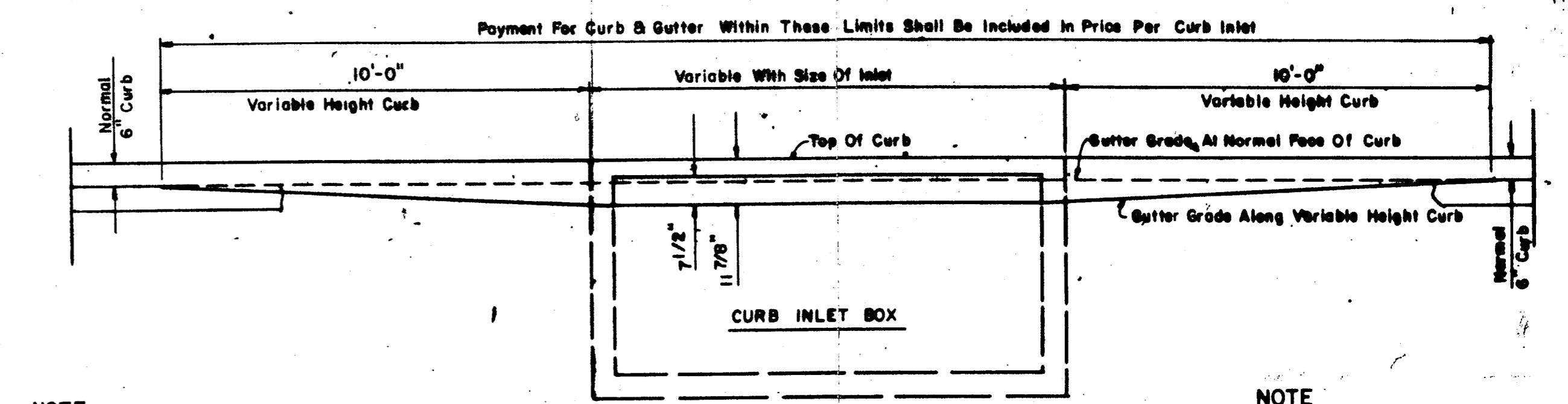
SCALE: 1/2" = 1'



ELEVATION



PLAN OF INLET

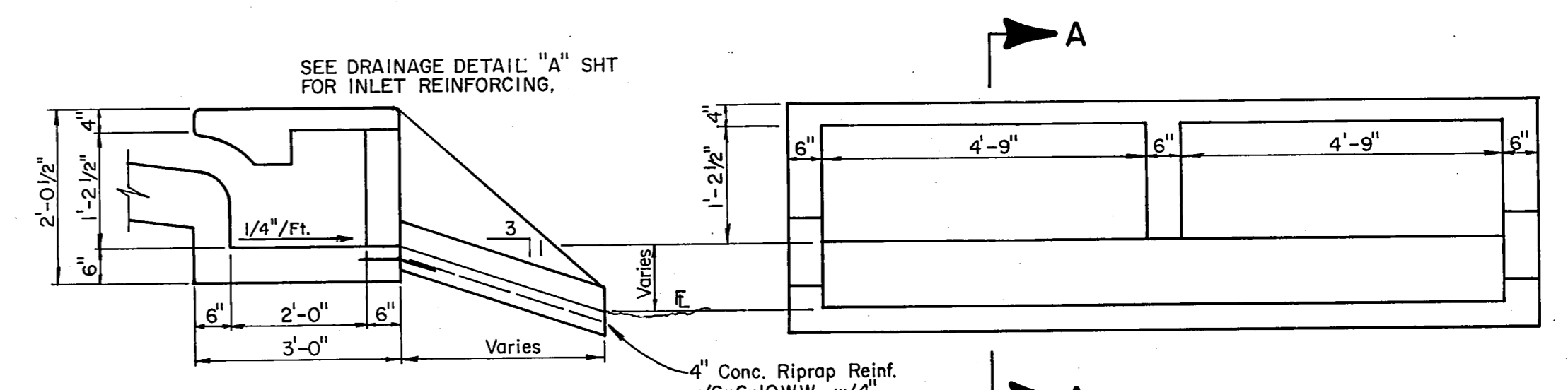


SECTION A-A

RECESSED CURB INLET

NOTE: SEE STD. CURB INLET, DRAINAGE DETAILS FOR SECTION D-D, AND REINFORCING. (ON DRAINAGE DETAIL "A" SHT.)

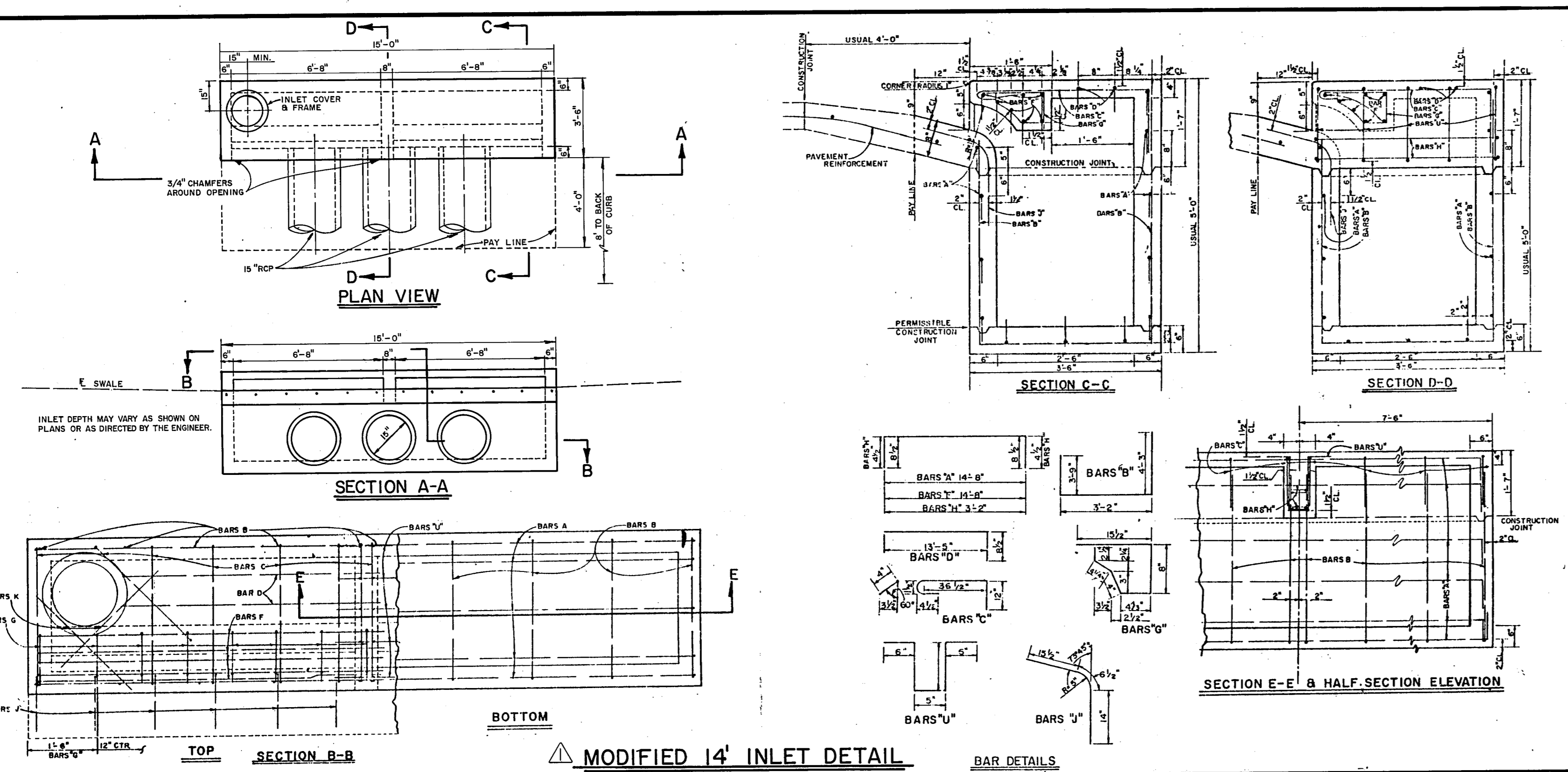
NOTE: Where inlets are indicated to be modified, refer to plan/profile sheets for elevations or different sizes. All other items shall remain as shown on this standard detail.



SECTION A-A

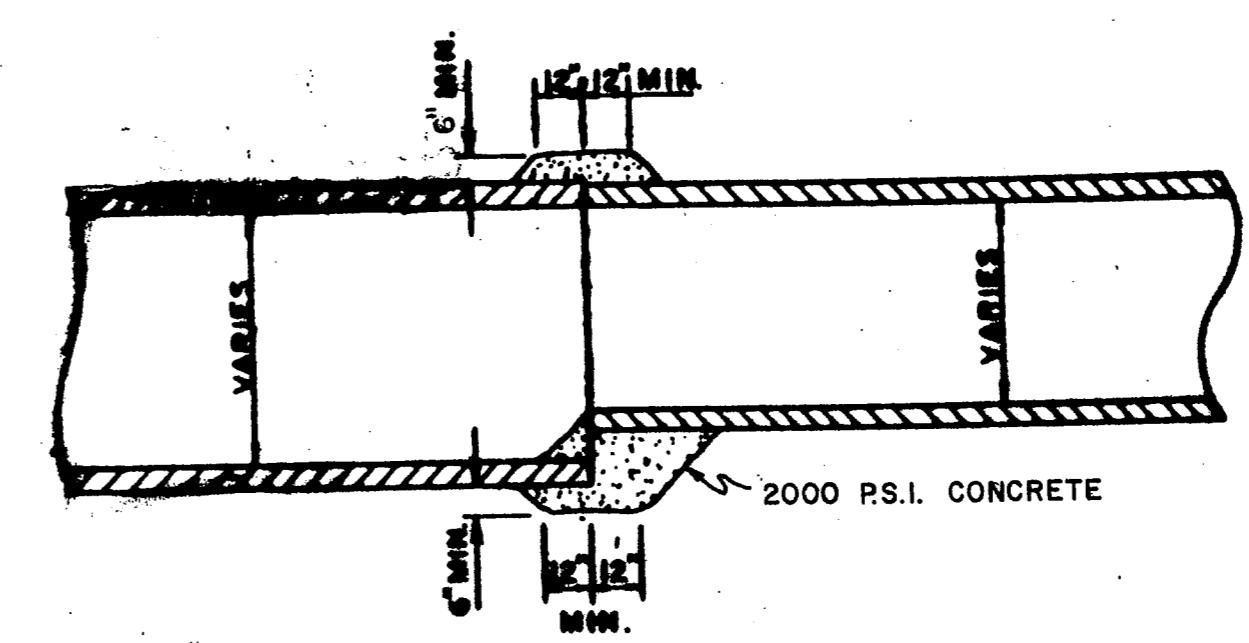
REAR ELEVATION

MODIFIED RECESSED INLET WITH FLUME



MODIFIED 14' INLET DETAIL

BAR DETAILS



DETAIL OF CONCRETE COLLAR FOR PIPE CONNECTIONS

RECORD DRAWING

Revised Modified Hdw. & 14' Mod. Inlet		RLO	3-31-86
No.	Revision	By	Date
TOWN OF ADDISON DALLAS COUNTY, TEXAS			
WINNWOOD/CELESTIAL RD. IMPROVEMENTS			
DRAINAGE DETAILS B			
GINN, INC. Consulting Engineers Dallas, Texas			
Designed - JCK/TEC	Drawn - TEC	Date - OCTOBER, 1985	Job No. - 265
Approved - HWS	Checked - JCK	Scale - NONE	Sheet 15 OF 29