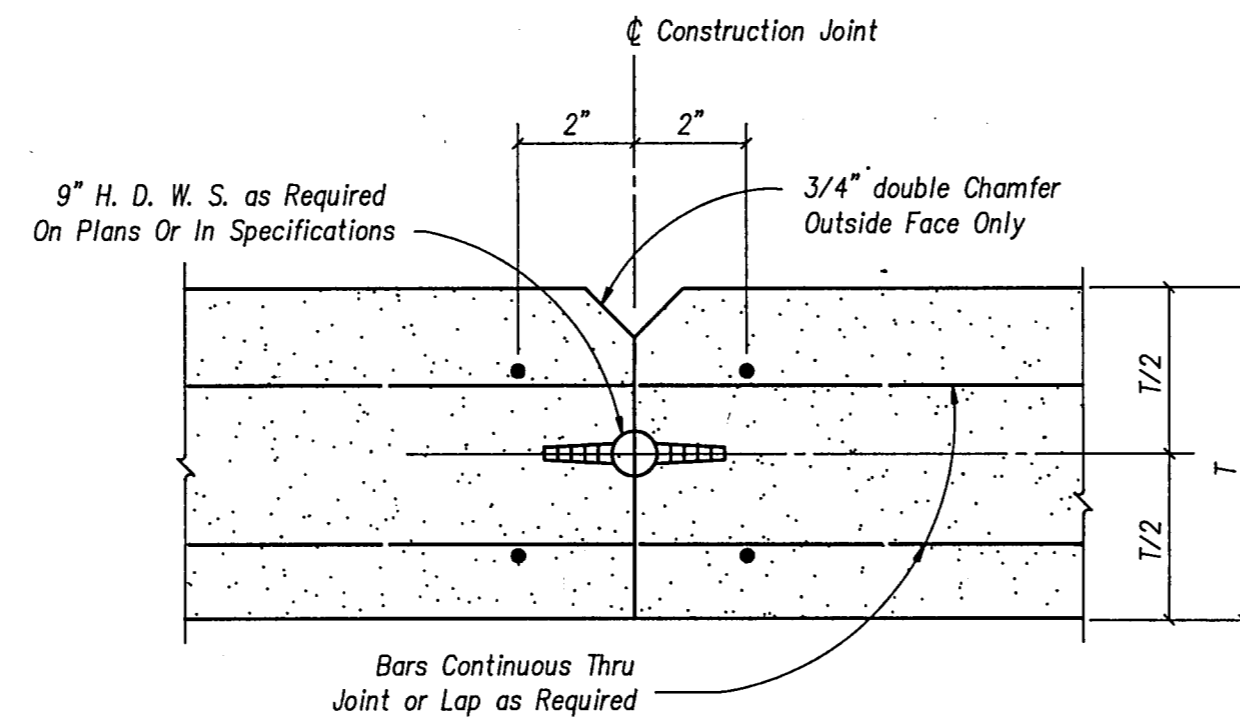


NOTE:
Provide Keyway in Construction
Joint as shown in Plan.

EXPANSION JOINT DETAIL

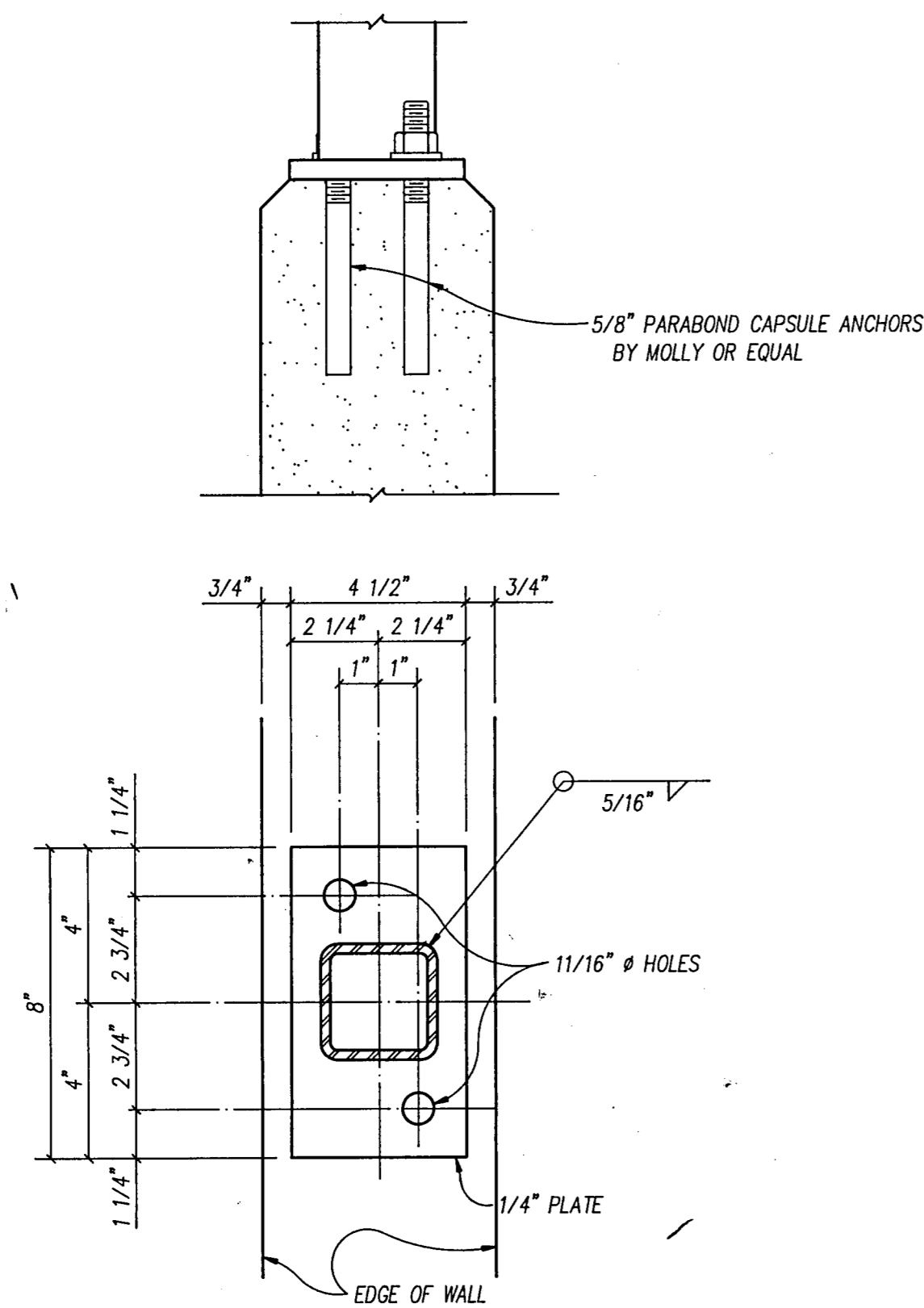
NOT TO SCALE



NOTE:
Provide Keyway in Construction
Joint as shown in Plan.

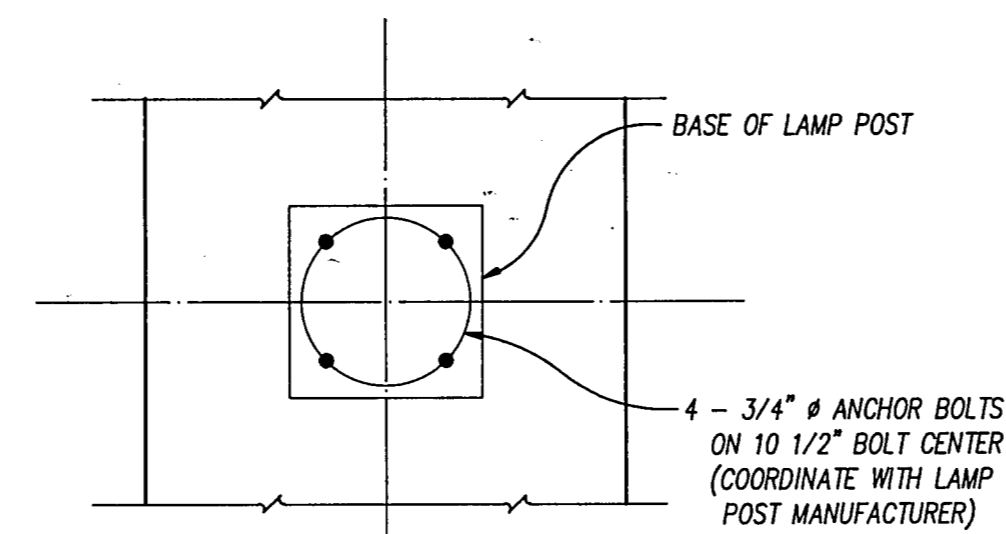
CONSTRUCTION JOINT DETAIL

NOT TO SCALE



RAIL POST BASE

SCALE: 3" = 1'-0"



LAMP POST BASE

SCALE: 1" = 1'-0"

RECORD DRAWING

S-3

No.	Revision	By	Date
TOWN OF ADDISON DALLAS COUNTY, TEXAS WINNWOOD CELESTIAL PHASE III			
WINNWOOD ROAD ENTRANCE SPILLWAY DETAILS			
GINN, INC. Consulting Engineers Dallas, Texas			
Designed - SCR	Drawn - SCR	Date - APRIL 25, 1988	Job No. - 328
Approved - HWG	Checked - RCH	Scale - AS SHOWN	Sheet 10 of 13

REEDCON, INC.
STRUCTURAL ENGINEERS

These plans and related specifications
were prepared for construction of this
specific project only. Reuse of these
documents is not permitted without
written authorization of Reedcon, Inc.

Stan led
APRIL 25 1988