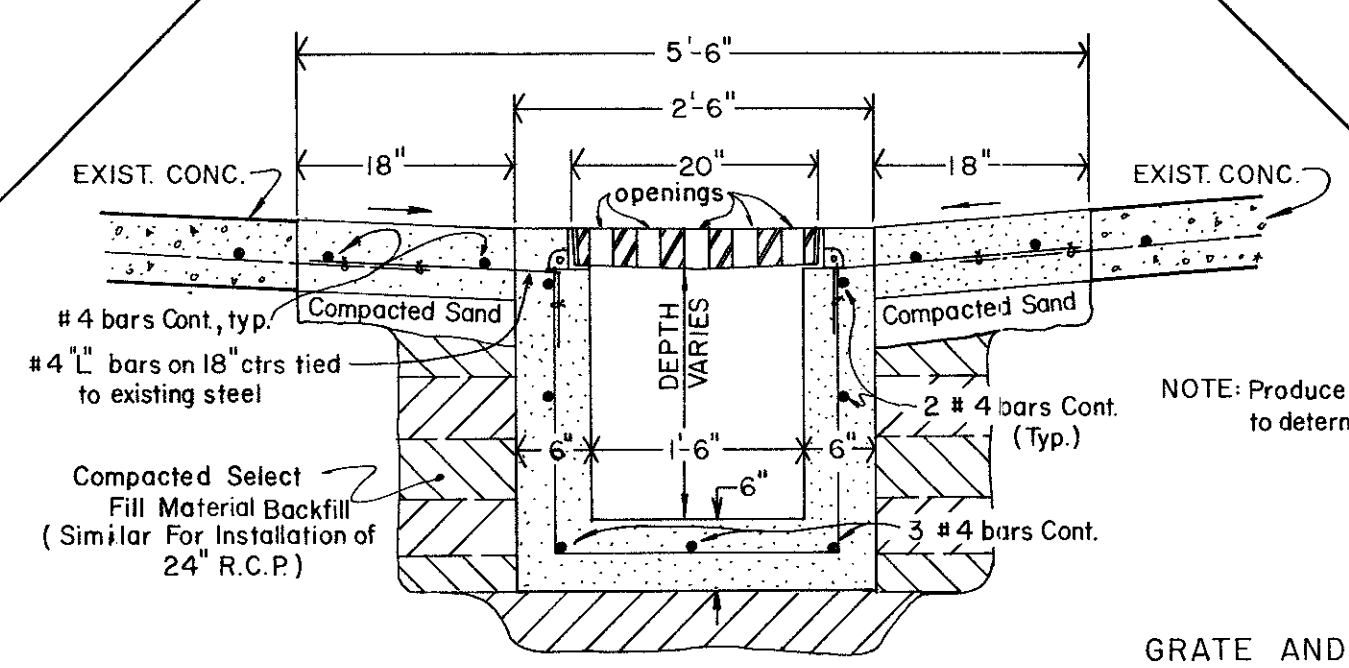
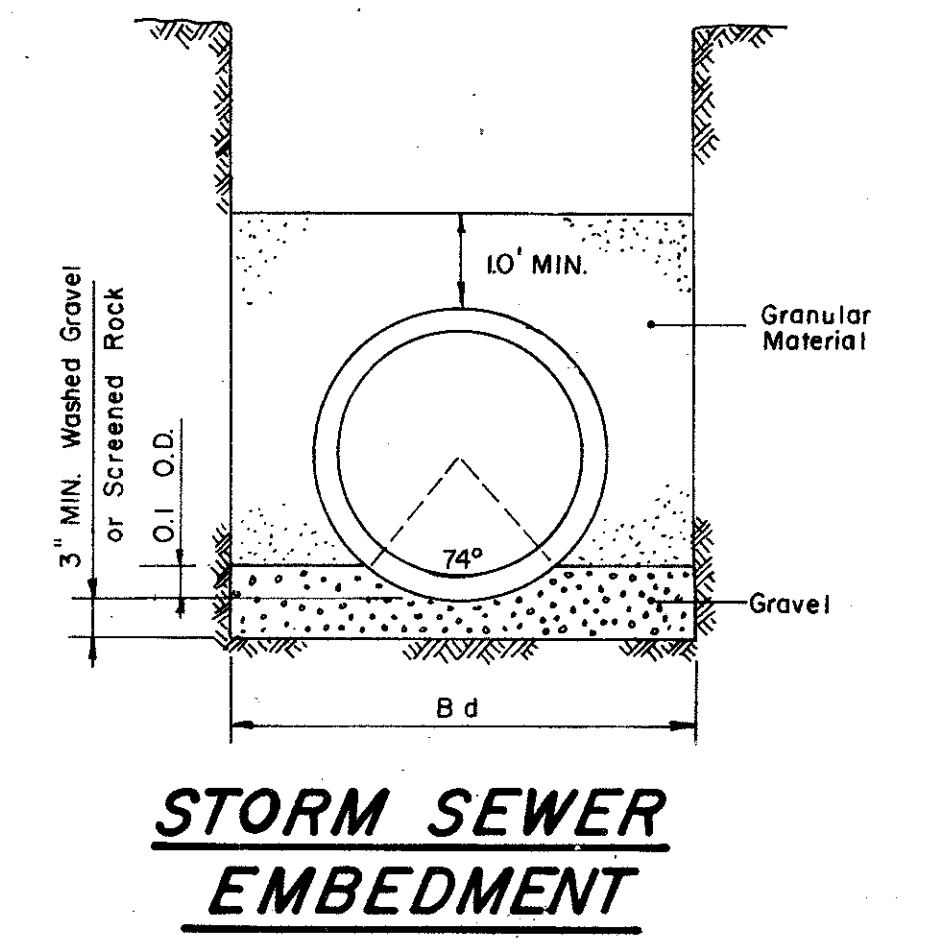
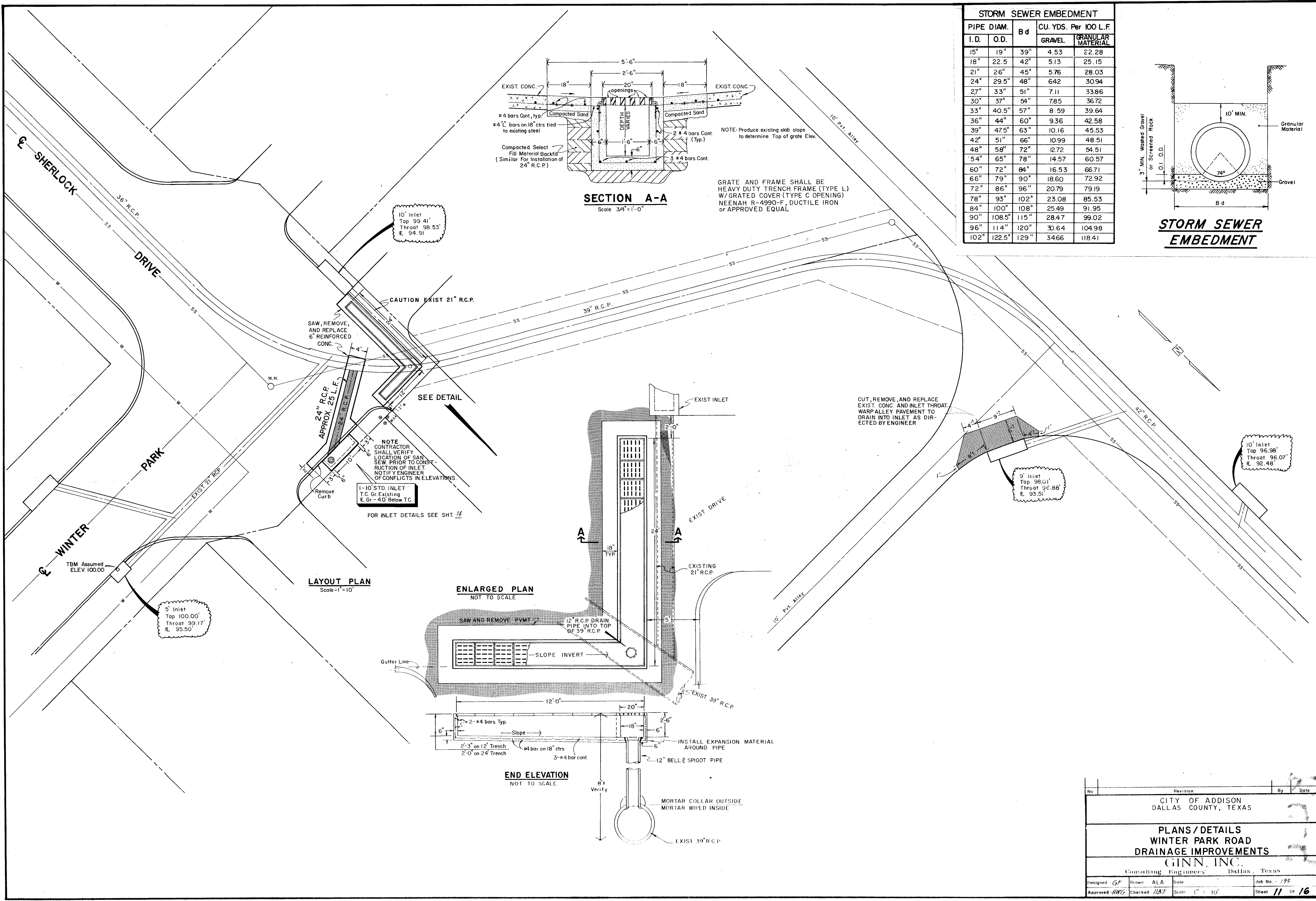


| STORM SEWER EMBEDMENT | | | | | |
|-----------------------|--------|-------|-------|-----------------------|-------------------|
| PIPE DIAM. | I. D. | O. D. | B d | CU. YDS. Per 100 L.F. | |
| | | | | GRAVEL | GRANULAR MATERIAL |
| 15" | 19" | 39" | 4.53 | 22.28 | |
| 18" | 22.5" | 42" | 5.13 | 25.15 | |
| 21" | 26" | 45" | 5.76 | 28.03 | |
| 24" | 29.5" | 48" | 6.42 | 30.94 | |
| 27" | 33" | 51" | 7.11 | 33.86 | |
| 30" | 37" | 54" | 7.85 | 36.72 | |
| 33" | 40.5" | 57" | 8.59 | 39.64 | |
| 36" | 44" | 60" | 9.36 | 42.58 | |
| 39" | 47.5" | 63" | 10.16 | 45.53 | |
| 42" | 51" | 66" | 10.99 | 48.51 | |
| 48" | 58" | 72" | 12.72 | 54.51 | |
| 54" | 65" | 78" | 14.57 | 60.57 | |
| 60" | 72" | 84" | 16.53 | 66.71 | |
| 66" | 79" | 90" | 18.60 | 72.92 | |
| 72" | 86" | 96" | 20.79 | 79.19 | |
| 78" | 93" | 102" | 23.08 | 85.53 | |
| 84" | 100" | 108" | 25.49 | 91.95 | |
| 90" | 108.5" | 115" | 28.47 | 99.02 | |
| 96" | 114" | 120" | 30.64 | 104.98 | |
| 102" | 122.5" | 129" | 34.66 | 118.41 | |

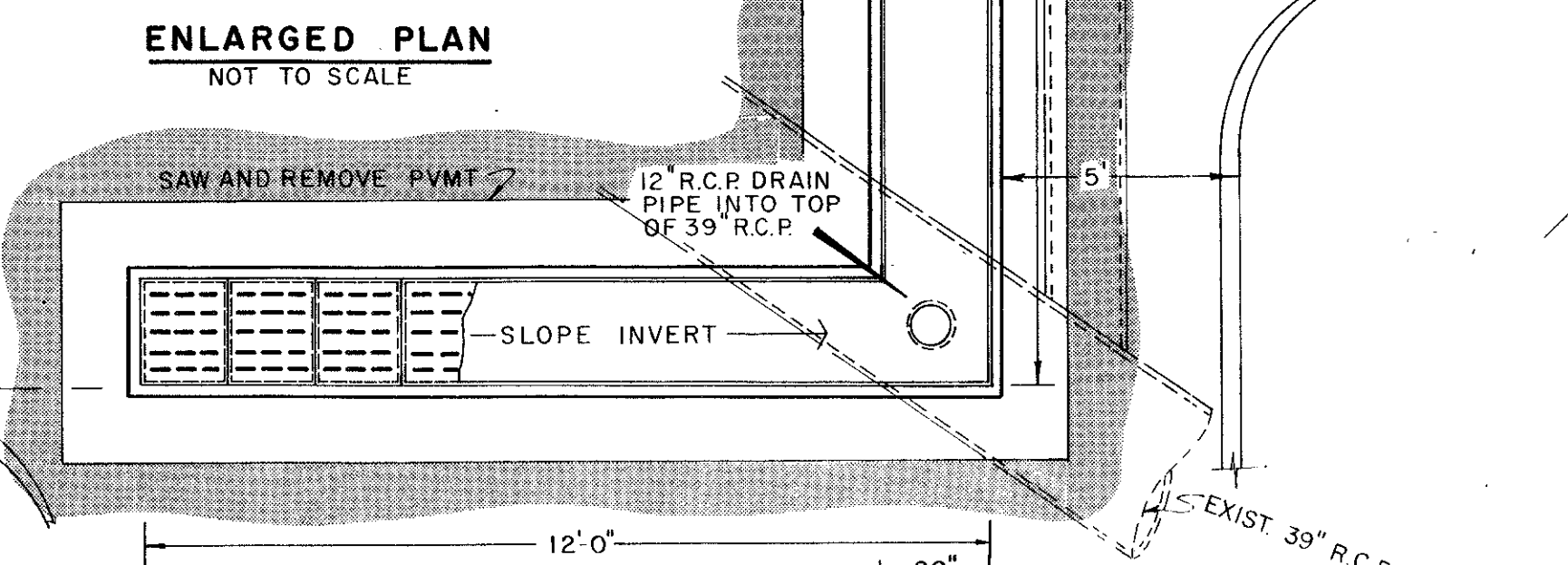


GRATE AND FRAME SHALL BE HEAVY DUTY TRENCH FRAME (TYPE L) W/ GRATED COVER (TYPE C OPENING) NEENAH R-4990-F, DUCTILE IRON OR APPROVED EQUAL

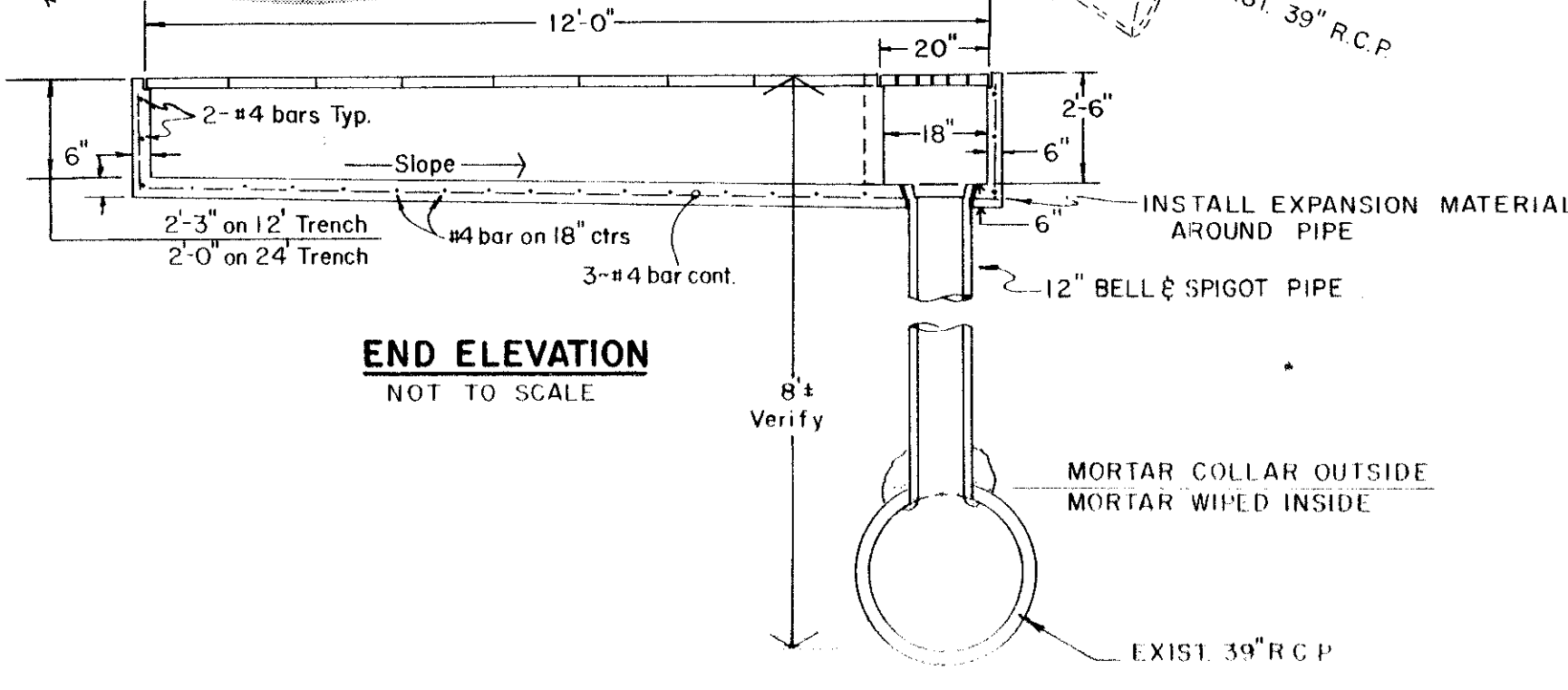
SECTION A-A
Scale 3/4" = 1'-0"



LAYOUT PLAN
Scale 1" = 10'



ENLARGED PLAN
NOT TO SCALE



END ELEVATION
NOT TO SCALE

| No. | Revision | By | Date |
|---|--------------------|----------------|----------------|
| CITY OF ADDISON DALLAS COUNTY, TEXAS | | | |
| PLANS/DETAILS WINTER PARK ROAD DRAINAGE IMPROVEMENTS | | | |
| GINN, INC. Consulting Engineers Dallas, Texas | | | |
| Designed <i>GF</i> | Drawn <i>ALA</i> | Date | Job No. - /95 |
| Approved <i>HWG</i> | Checked <i>HBJ</i> | Scale 1" = 10' | Sheet 11 of 16 |