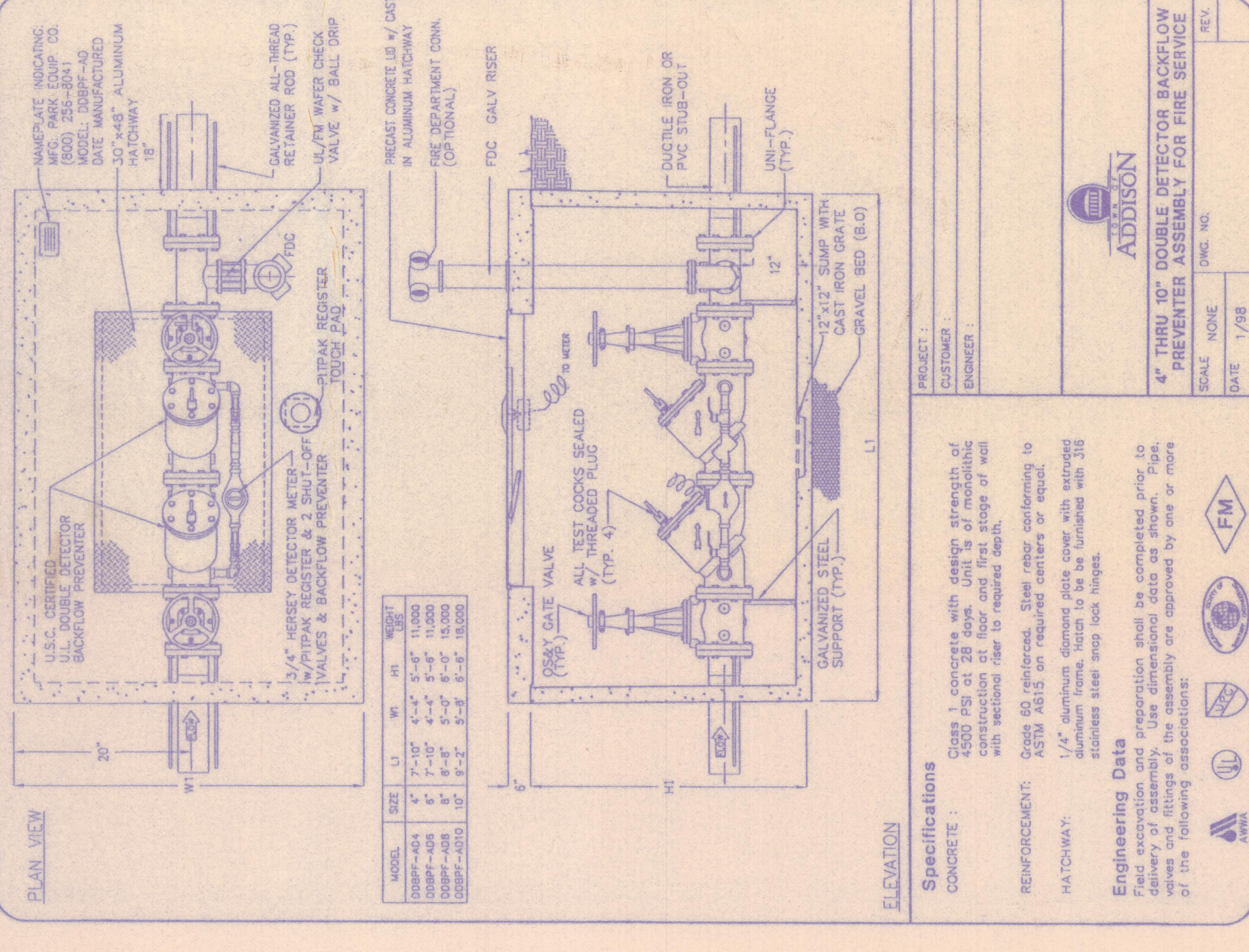


15505
Wright Bros.



ELEVATION

Specifications
 Cast 1 concrete with design strength of 4000 psi at 28 days. Unit is of reinforcing steel shall be in accordance with AISC and with section near to required depth.

REINFORCEMENT:
 2#4 @ 12" o.c. (typ. A)
 2#4 @ 12" o.c. (typ. B)
 1/4" diameter galvanized steel rods with standard aluminum zinc coating shall be furnished with 30 mil minimum zinc coating.

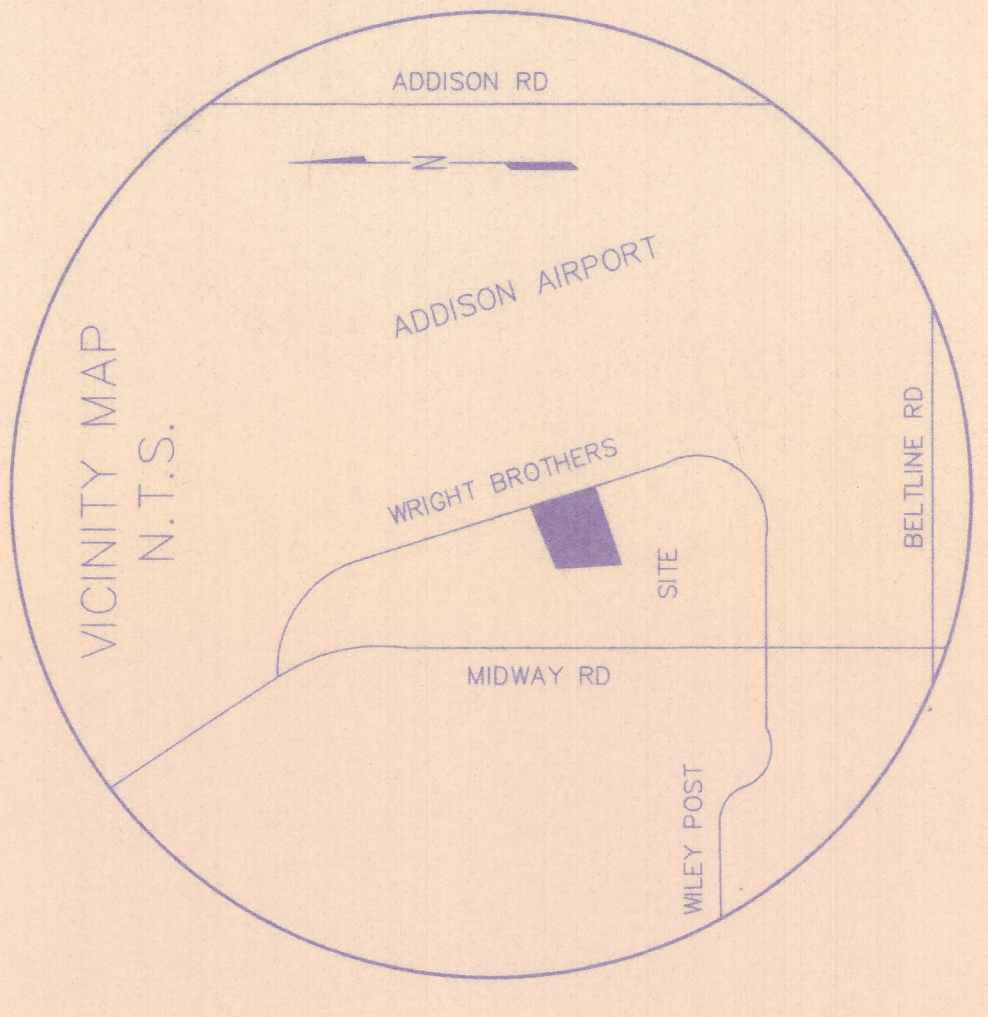
Engineering Data
 Field expansion and preparation shall be completed prior to backflow preventer installation. All fittings shall be in accordance with the manufacturer's instructions and shall be installed in accordance with the manufacturer's instructions.

PROJECT:
 CUSTOMER: [blank]
 ENGINEER: [blank]

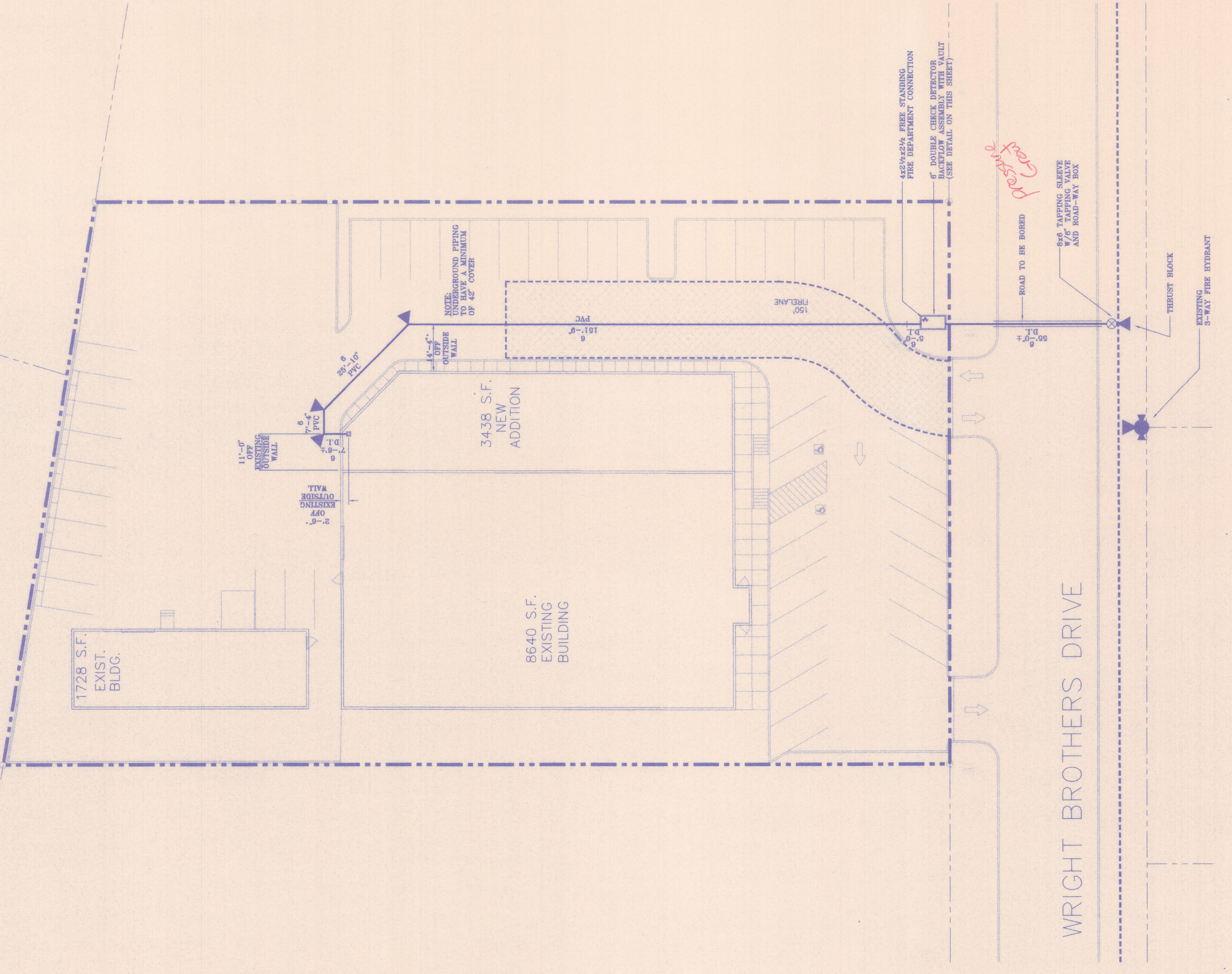
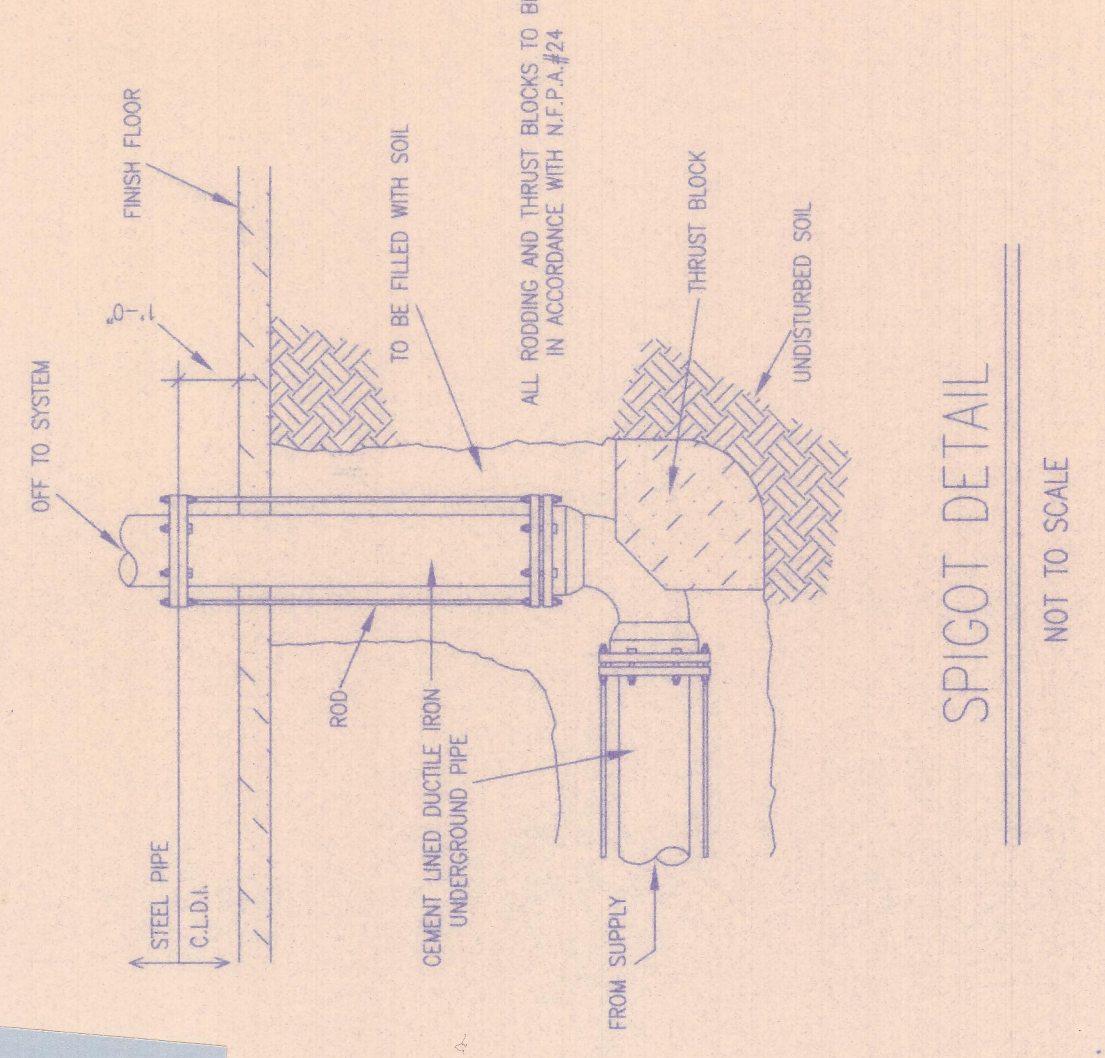
ADDISON

4" THRU 8" DOUBLE DETECTOR BACKFLOW PREVENTER ASSEMBLY FOR FIRE SERVICE

SCALE: NONE
 DATE: 7/88
 SHEET NO.: [blank]



214-G-16-0519
 Mile Double Star
 Express Int.
 Wright Bros
 8/19/99



SITE PLAN
 SCALE: 1" = 20'-0"

REDUCED PRESSURE VALVE

J.W. OPERATING COMPANY
 15505 WRIGHT BROTHERS
 ADDISON, TEXAS

GREEN FIRE SYSTEMS, INC.
 7807 BIVOL COURT, DALLAS, TEXAS 75247
 (214) 897-4401 FAX (214) 897-5404
 (817) 820-8963 FAX (817) 820-8969

OWNER OCCUPIED

DATE: JULY 30, 1999

SCALE: 1" = 20'-0"

SHEET NO.: 3163

OF: 1 OF 3

SYSTEM DESCRIPTION

WET PIPE SYSTEM
 DRY PIPE SYSTEM
 PRE-ACTION SYSTEM
 DELUGE SYSTEM
 FOAM SYSTEM
 ANTI-FREEZE SYSTEM
 STANDPIPE SYSTEM

BL'S

MAINS

SCHEMATIC

SPRINKLER HEAD LEGEND

NOTES

REVISIONS