

**GENERAL IRRIGATION NOTES**

CALL TEXAS ONE-CALL AT 1-800-344-8377 FOR INFORMATION ON THE LOCATION OF ALL UNDERGROUND UTILITIES.

CONTACT PRIOR TO DIGGING. CONTRACTOR SHALL BE RESPONSIBLE FOR ANY DAMAGE CAUSED TO THE UTILITIES (BOTH OVERHEAD AND BURIED) WHICH MAY OCCUR DUE TO HIS ACTION OR LACK OF ACTION ON THE PROJECT SITE DURING LANDSCAPE OR IRRIGATION INSTALLATION. CONTRACTOR SHALL SEEK THE ASSISTANCE OF LOCAL UTILITIES AND THE OWNER IN LOCATING THE UTILITIES PRIOR TO PERFORMING TRENCHING OPERATIONS IN ANY AREA.

TRENCHING OPERATIONS SHALL NOT OCCUR UNDER THE DRIFLINE OF EXISTING TREES UNLESS ABSOLUTELY NECESSARY. IF CONDITIONS DO NOT ALLOW FOR TRENCHING TO BE DIRECTED AROUND DRIFLINE, THE TRENCHING SHALL BE DONE RADIAL WITH THE EXISTING TREE TRUNK.

CONTRACTOR SHALL CAREFULLY VERIFY A MINIMUM RESIDUAL WATER PRESSURE OF 60PSI @ 55GPM ADJACENT TO THE WATER METER LOCATION. IF THE MINIMUM WATER PRESSURE IS LESS THAN 60 PSI, CONTRACTOR SHALL NOTIFY THE OWNER OF SUCH AND SHALL RECEIVE OWNER'S APPROVAL PRIOR TO BEGINNING INSTALLATION OPERATIONS.

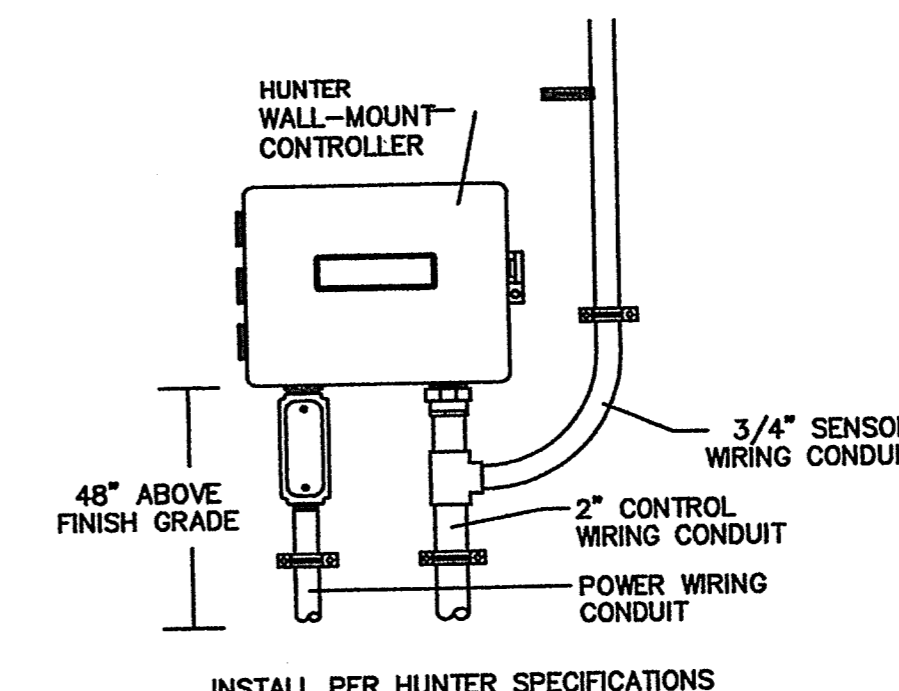
GENERAL CONTRACTOR IS RESPONSIBLE FOR INSTALLATION OF SLEEVES AS SHOWN ON THE DRAWING. EXTEND SLEEVES 2' BEYOND BACK OF CURB AND CAP UNTIL CONTRACTOR IS READY TO BEGIN INSTALLATION OF SYSTEM. STAKE LOCATION OF SLEEVE WITH T-POSTS AND FLAGS.

GENERAL CONTRACTOR SHALL PROVIDE J-BOX (115VAC POWER) TO THE CONTROLLER LOCATION AND A 2" CONDUIT FROM THE CONTROLLER FOR VALVE WIRES. IRRIGATION CONTRACTOR SHALL HARDWIRE TO J-BOX.

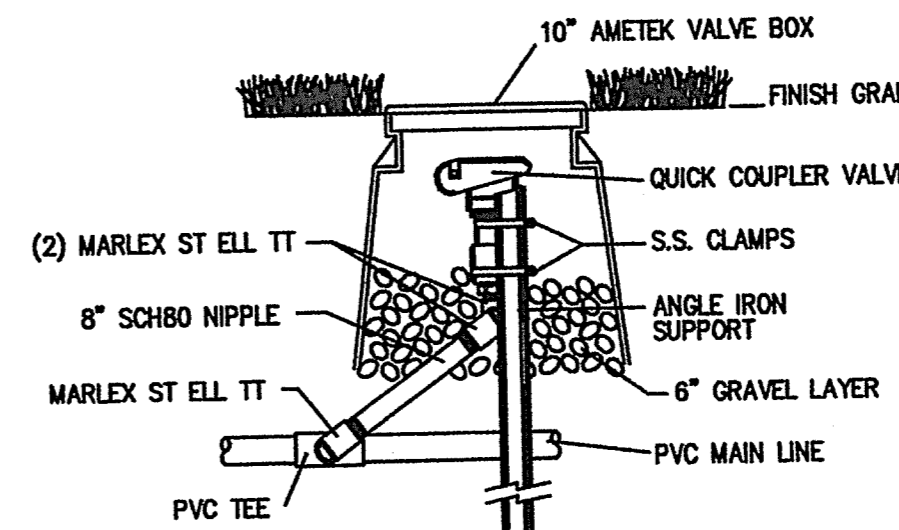
THE IRRIGATION DESIGN IS DIAGRAMMATIC. THE INTENT OF THE DRAWINGS IS TO SHOW THE GENERAL LAYOUT AND LOGIC OF THE SYSTEM. SCALED MEASUREMENTS MAY NOT BE ACCURATE. ACTUAL LOCATIONS AND QUANTITIES OF PIPE AND FITTINGS MAY VARY DUE TO FIELD ADJUSTMENTS FOR EXISTING AND NEW TREES AND OTHER OBSTRUCTIONS TO PROVIDE THE PROPER AND INTENDED COVERAGE.

CONTRACTOR SHALL INSURE THAT THE IRRIGATION MAIN LINE AND VALVES ARE INSTALLED WITHIN THE PROPERTY LINES. ANY LINES SHOWN OUTSIDE OF NORMAL INSTALLATION CORRIDORS ARE FOR PRESENTATION PURPOSES ONLY.

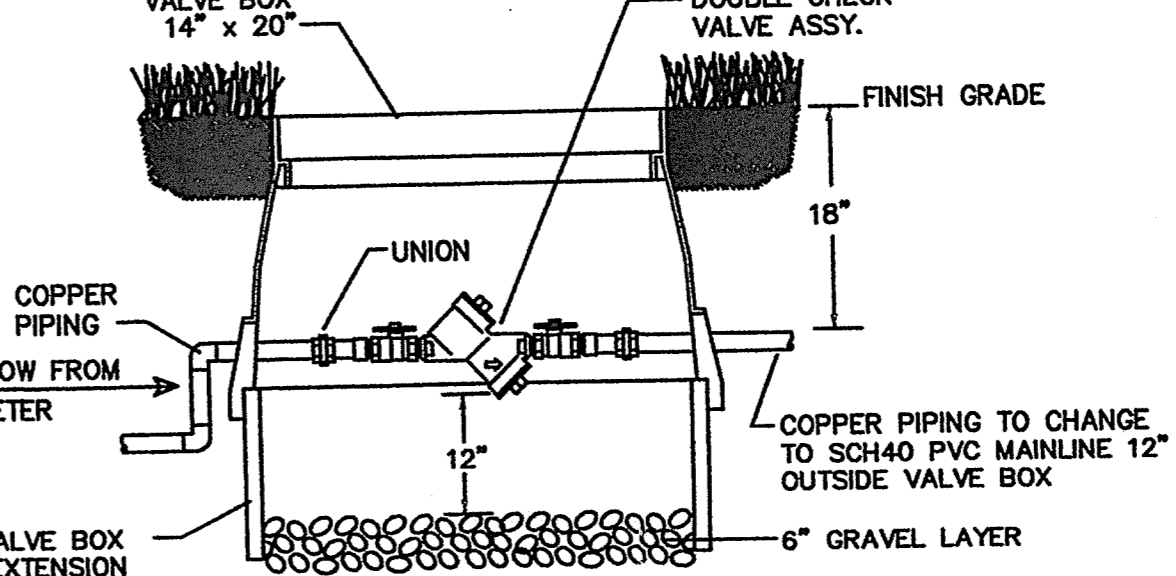
CONTRACTOR SHALL CLOSELY FOLLOW THESE CONTRACT DRAWINGS, THE IRRIGATION SPECIFICATIONS, AND THE SPECIFIED RECOMMENDATIONS OF THE EQUIPMENT MANUFACTURERS TO INSURE PROPER INSTALLATION OF THE IRRIGATION SYSTEM. CONTRACTOR SHALL IMMEDIATELY CONSULT WITH THE OWNER WHENEVER THERE APPEARS TO BE A CONFLICT BETWEEN ANY OF THE ABOVE MENTIONED DOCUMENTS. PROVIDE TEMP. IRRIGATION TO AREAS DESIGNATED ON LANDSCAPE PLANS. FOLLOW ALL LOCAL AND STATE CODES.



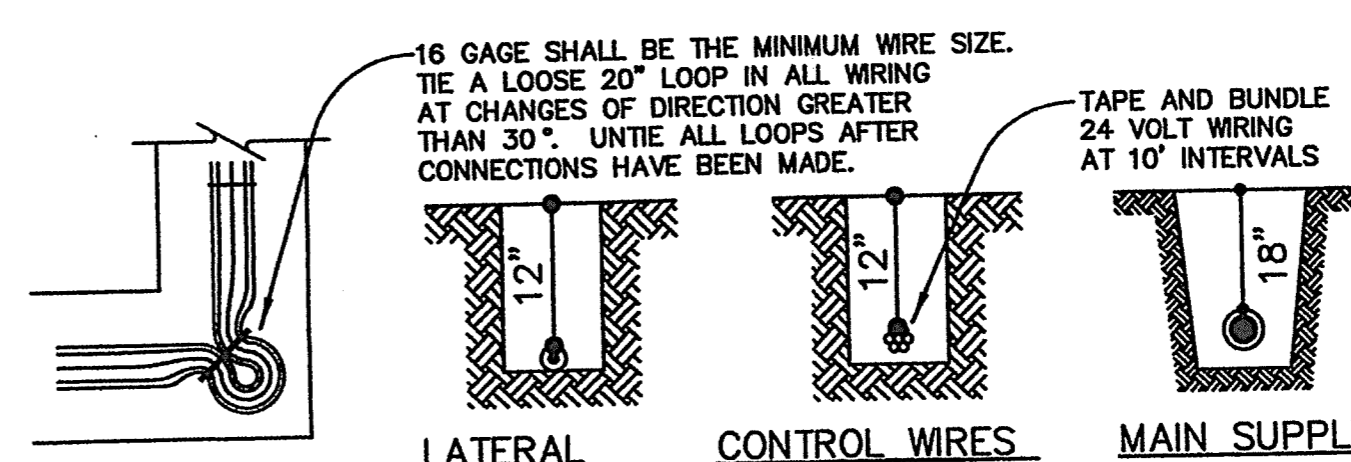
1 INSTALLATION DETAIL WALL-MOUNT CONTROLLER



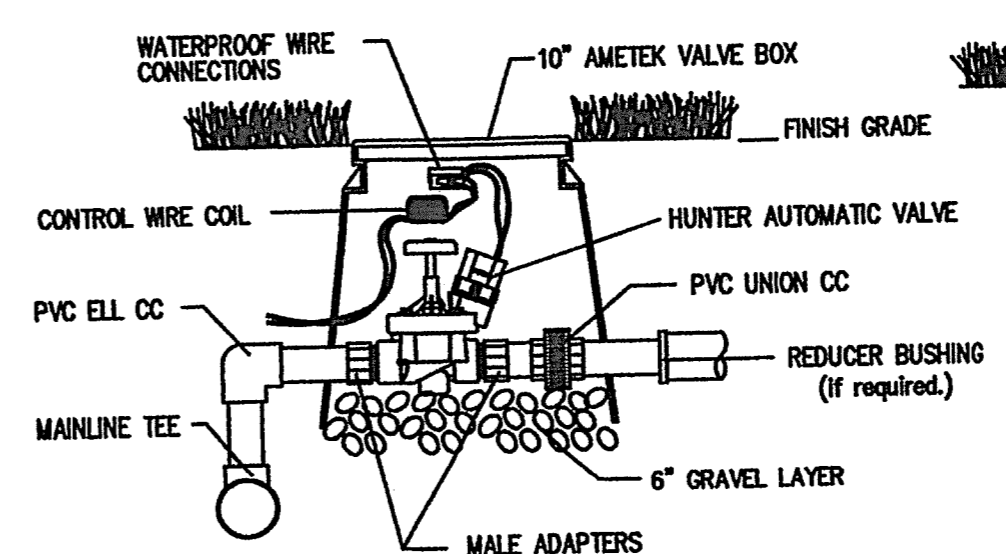
2 INSTALLATION DETAIL QUICK COUPLING VALVE



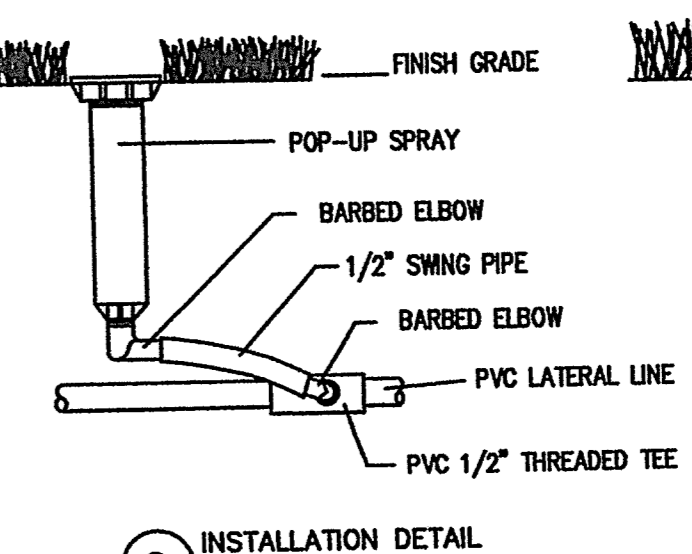
3 INSTALLATION DETAIL DOUBLE CHECK VALVE ASSY.



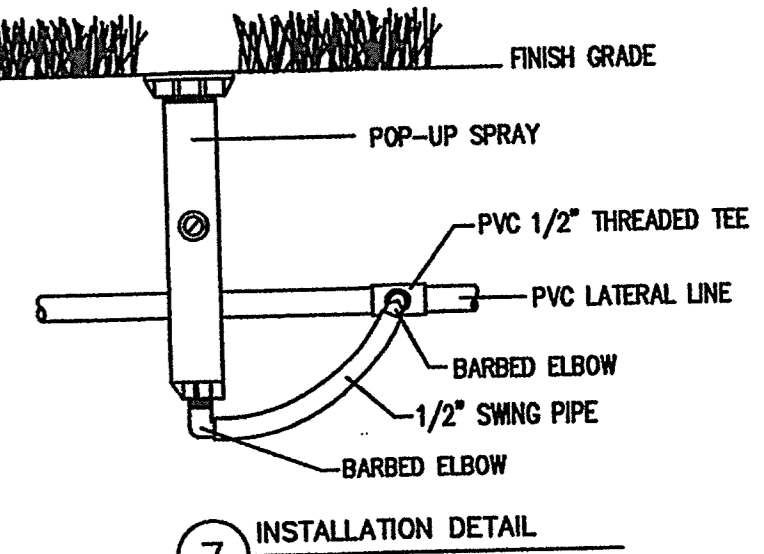
4 INSTALLATION DETAIL MAINLINE, LATERAL AND WIRING



5 INSTALLATION DETAIL ZONE VALVE ASSY.



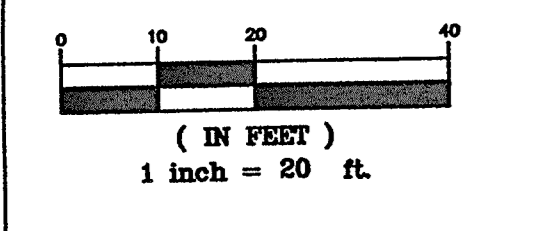
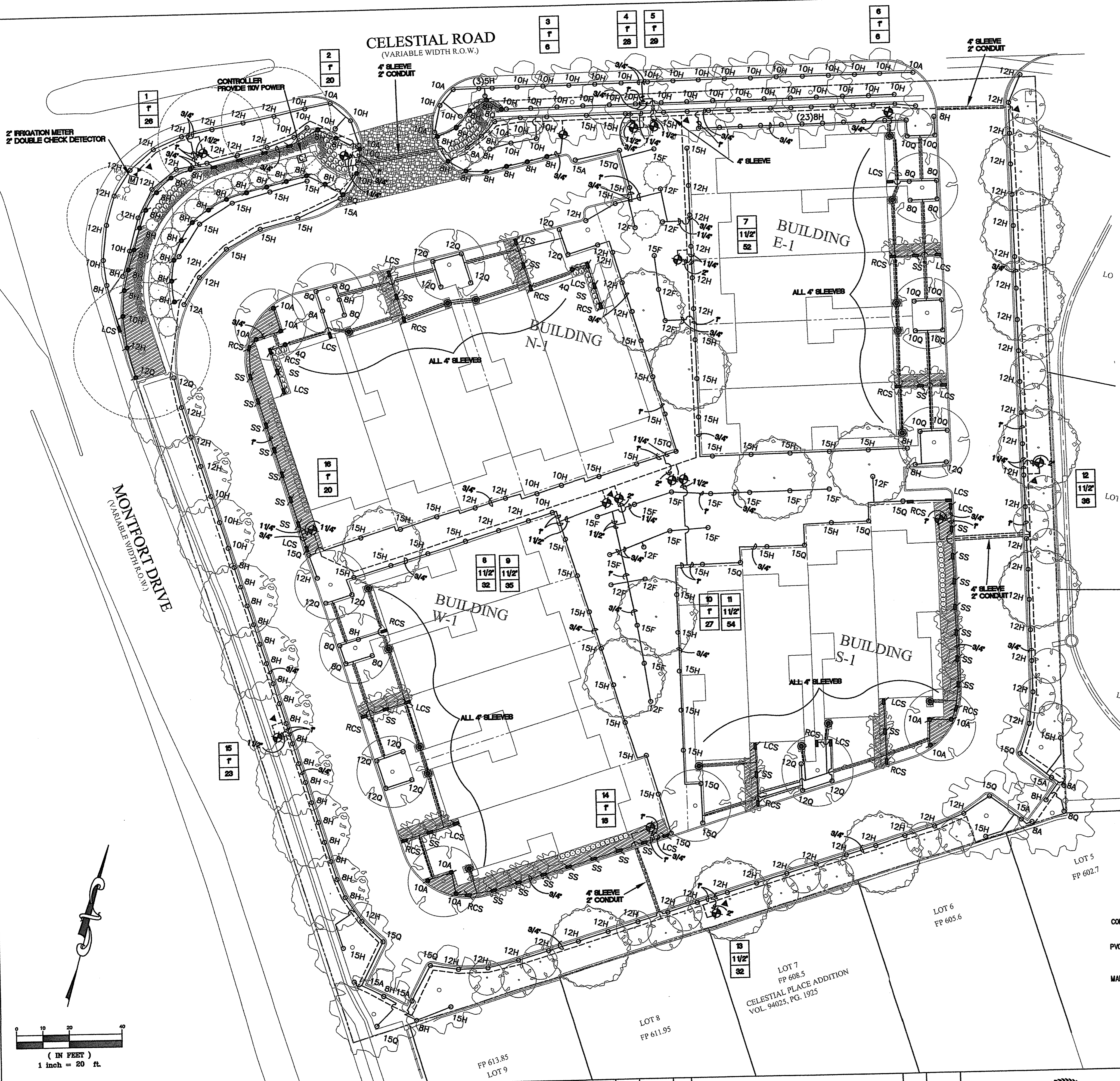
6 INSTALLATION DETAIL 4" POP-UP TURF SPRAY



7 INSTALLATION DETAIL 12" POP-UP SHRUB SPRAY

**LEGEND**

SYMBOL	DESCRIPTION	MANUFACTURER
[C]	CONTROLLER	HUNTER ICC W/ RAIN & FREEZE SENSORS
[S]	SPRAY (SIDE STIP)	HUNTER INST-12
[S]	SPRAY (SIDE STIP)	HUNTER INST-04
[S]	SPRAY	HUNTER INST-04
[S]	SPRAY	HUNTER INST-12
[R]	ROTOR	HUNTER PGP
[RC]	REMOTE CONTROL VALVE	HUNTER ICV SERIES
[DCV]	DOUBLE CHECK VALVE ASSY.	2" FEBCO MODEL 805Y
[M]	WATER METER	2" SCHEDULE 40
[Q]	QUICK COUPLER	HUNTER H330RC
[P]	MAINLINE PIPING	2" SCHEDULE 40
[L]	SLEEVE PIPING	SCHEDULE 40
[L]	LATERAL PIPING	CLASS 200 (SDR 21)
[T]	STATION NUMBER	
[V]	VALVE SIZE	
[G]	GPM (APPROX.)	



						<p><b>IRRIGATION PLAN</b></p> <p>Celestial Rd. &amp; Montfort Dr. Town of Addison, Collin County, Texas</p>		<p>PROJECT NO. CDC004</p> <p>SHEET NO. IR01</p>
NO.	REVISIONS DURING CONSTRUCTION	BY	DATE	NO.	REVISIONS DURING PLAN REVIEW	BY	DATE	