

8 PIPE PENETRATION ROOF CURB
A1.3 SCALE: 1 1/2" = 1' - 0"

4 HVAC ROOF CURB
A1.3 SCALE: 1" = 1' - 0"

9 SCUPPER DETAIL
A1.3 SCALE: 1 1/2" = 1' - 0"

5 ROOF LADDER & SCUTTLE DETAIL
A1.3 SCALE: 1" = 1' - 0"

10 ROOF FLASH @ DRIVE THRU
A1.3 SCALE: 1 1/2" = 1' - 0"

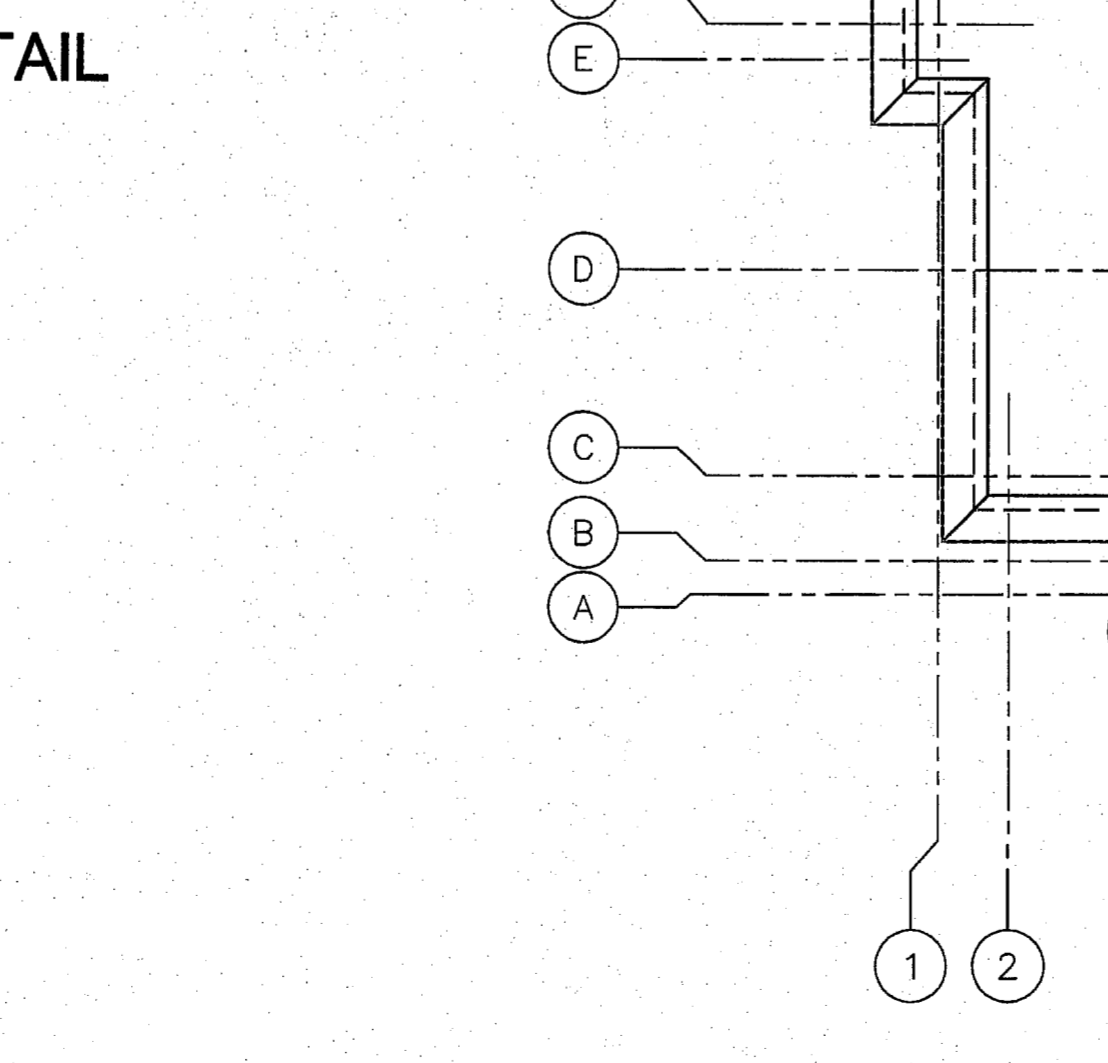
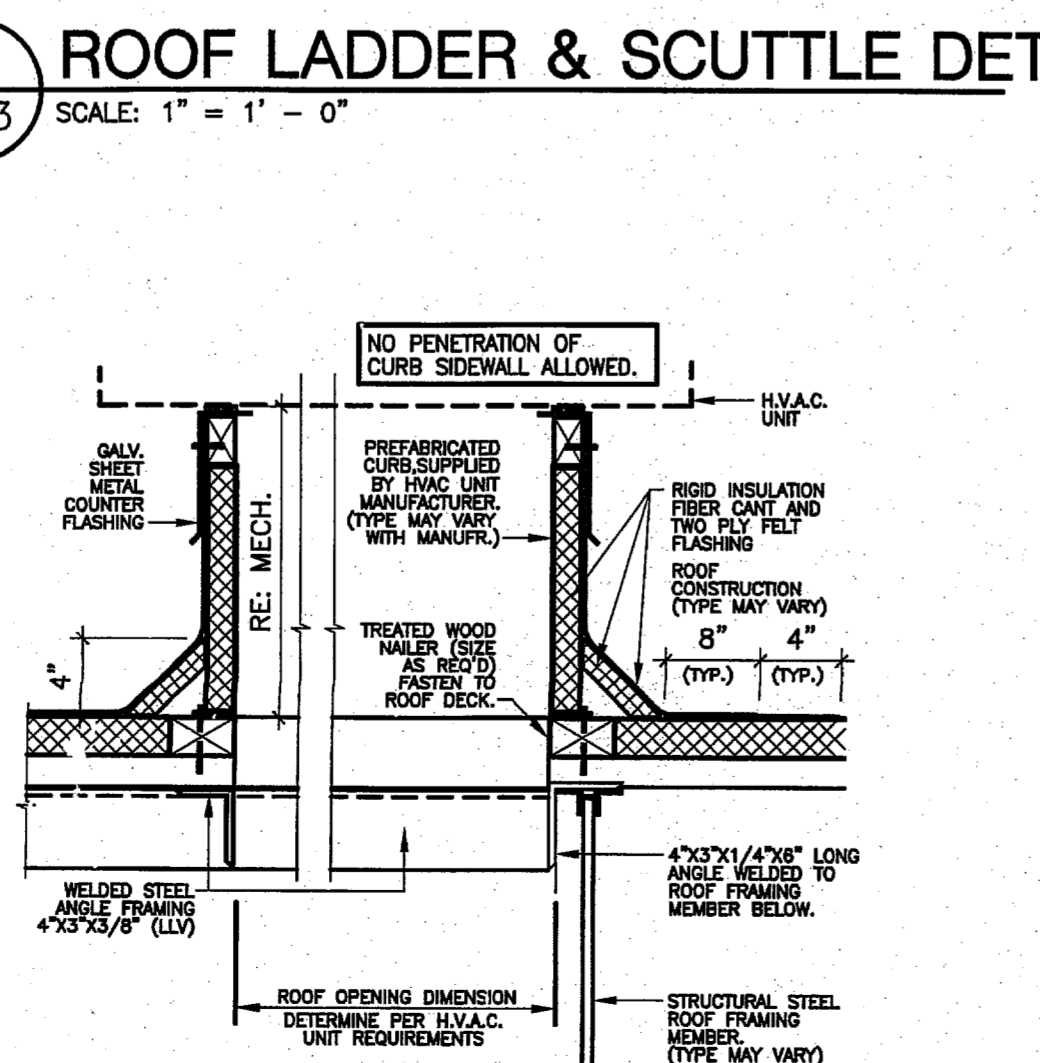
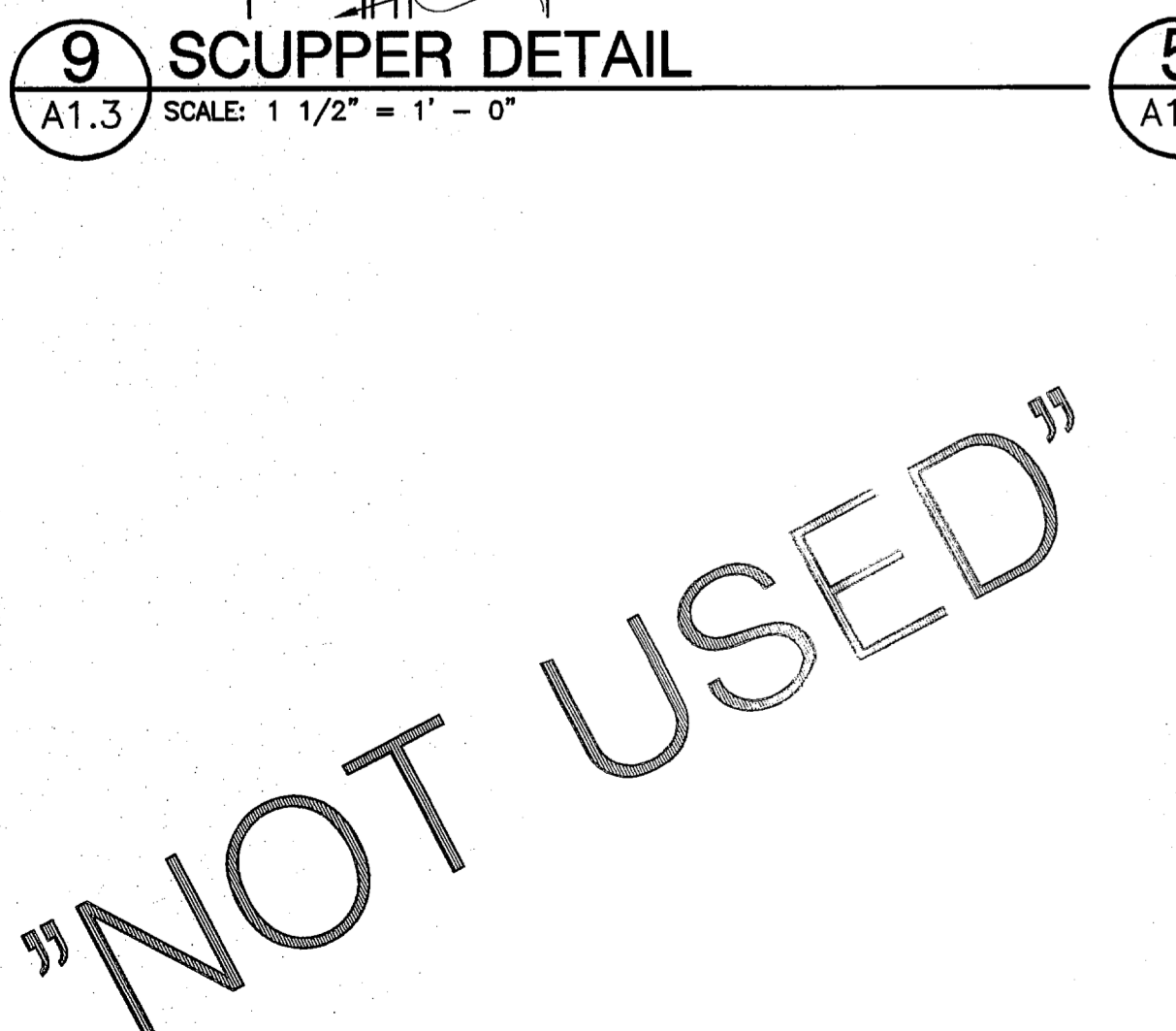
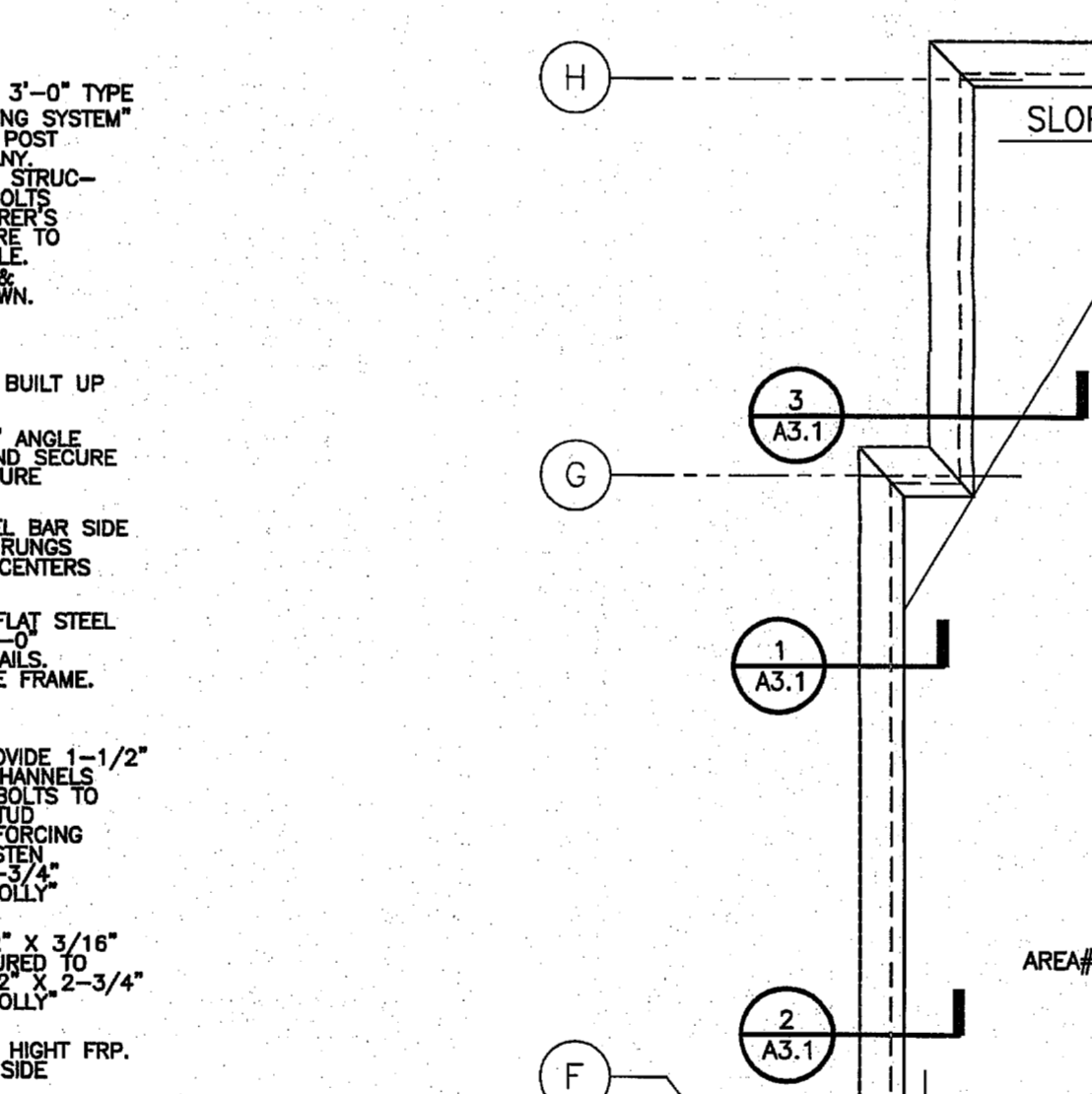
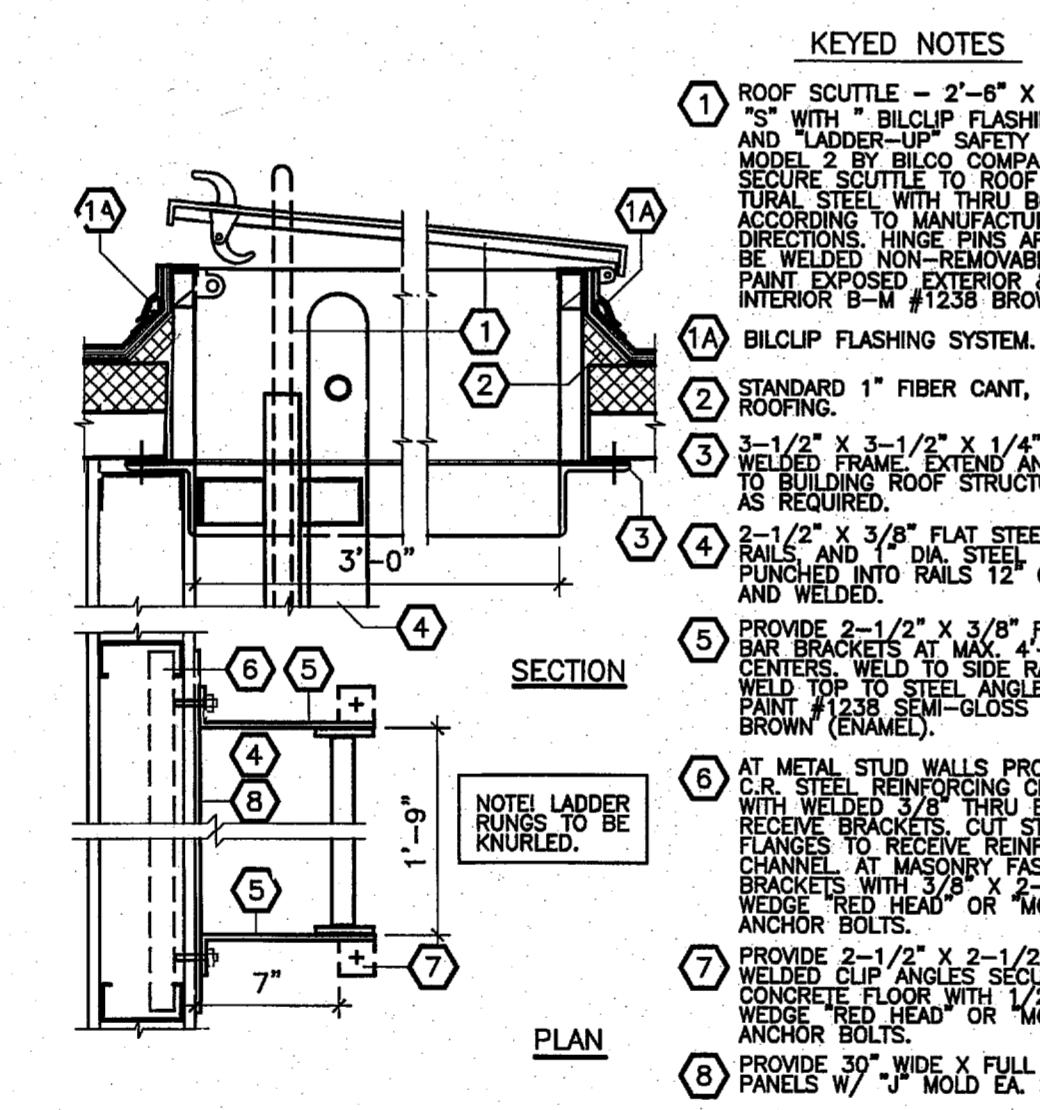
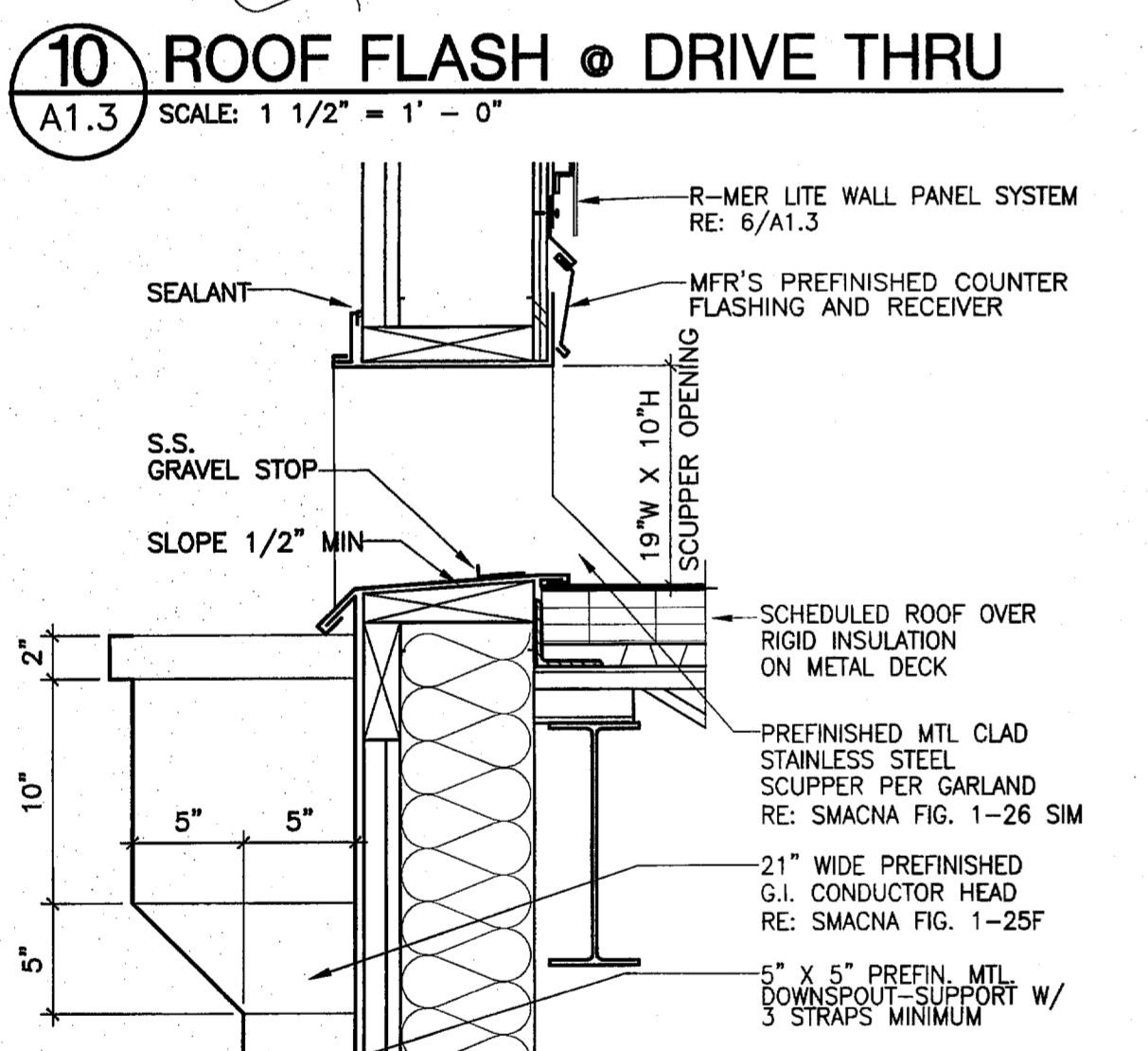
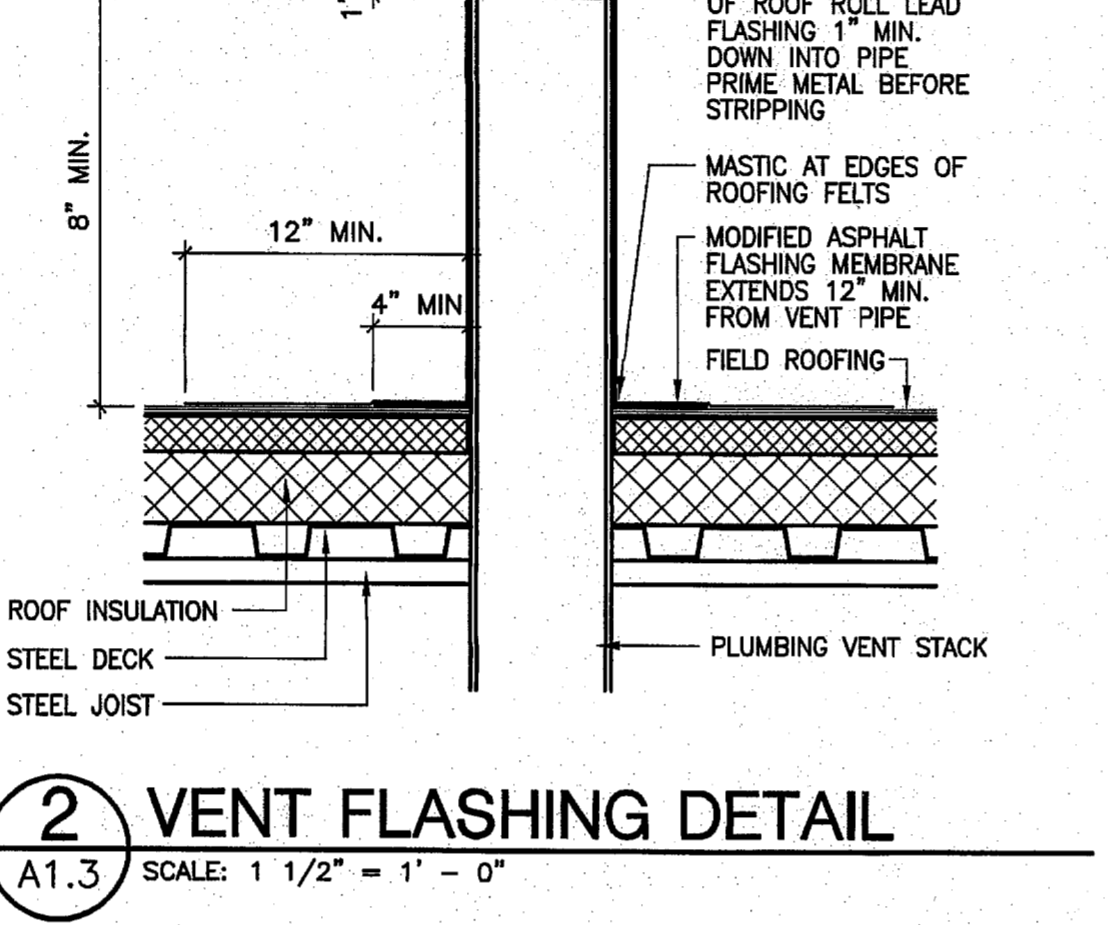
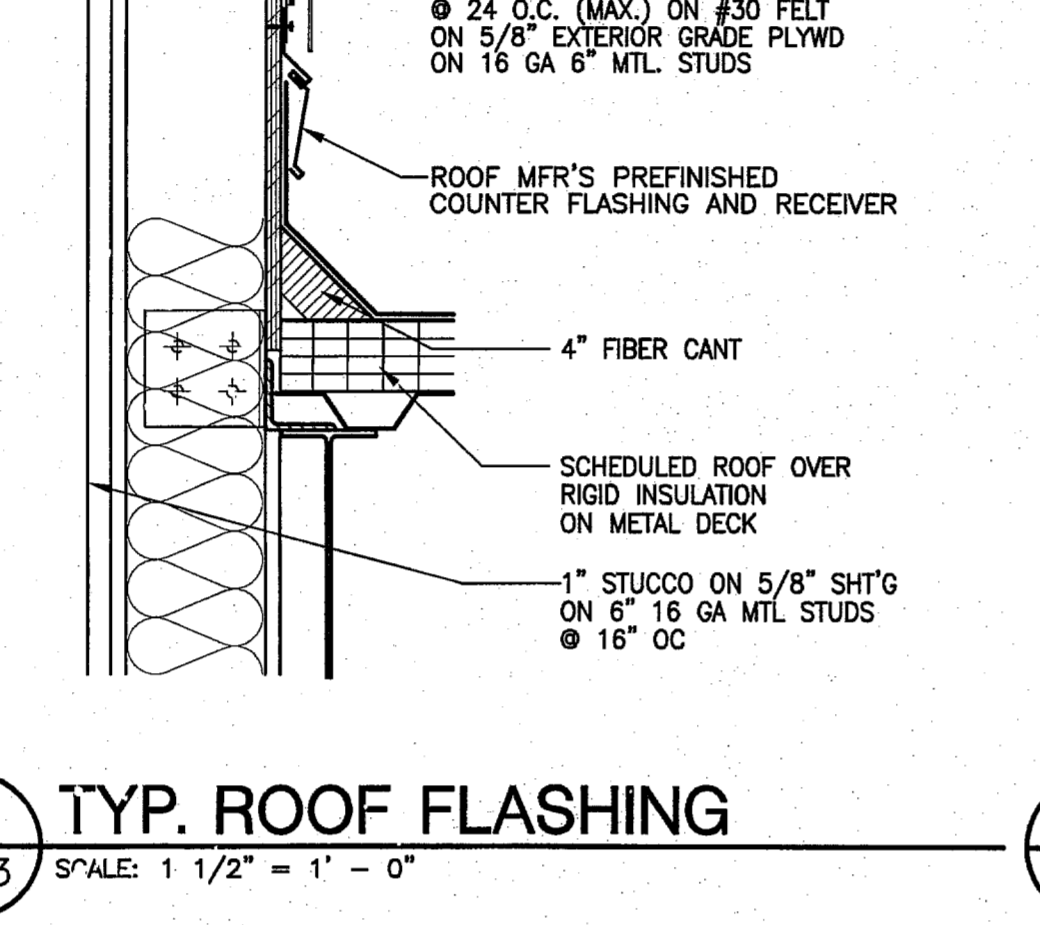
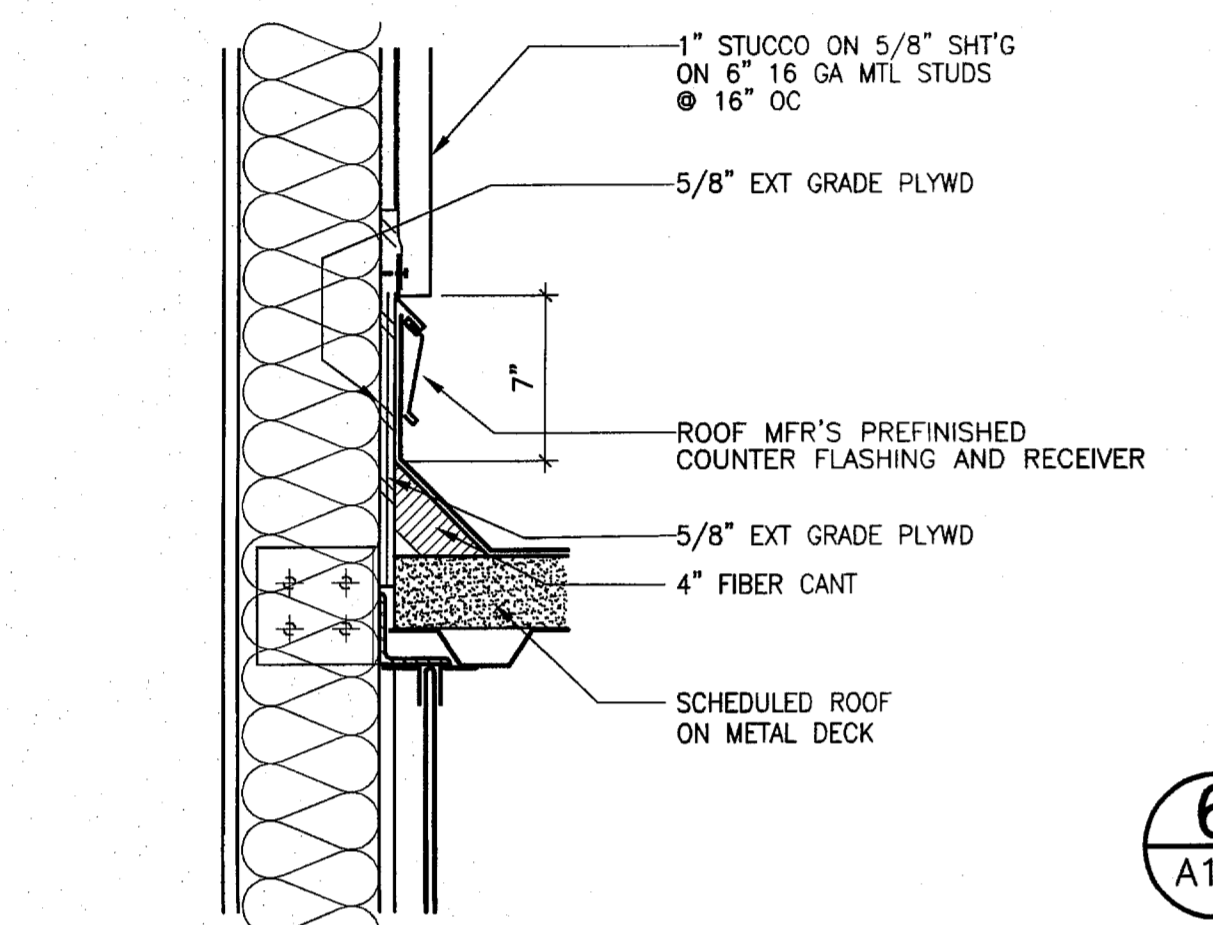
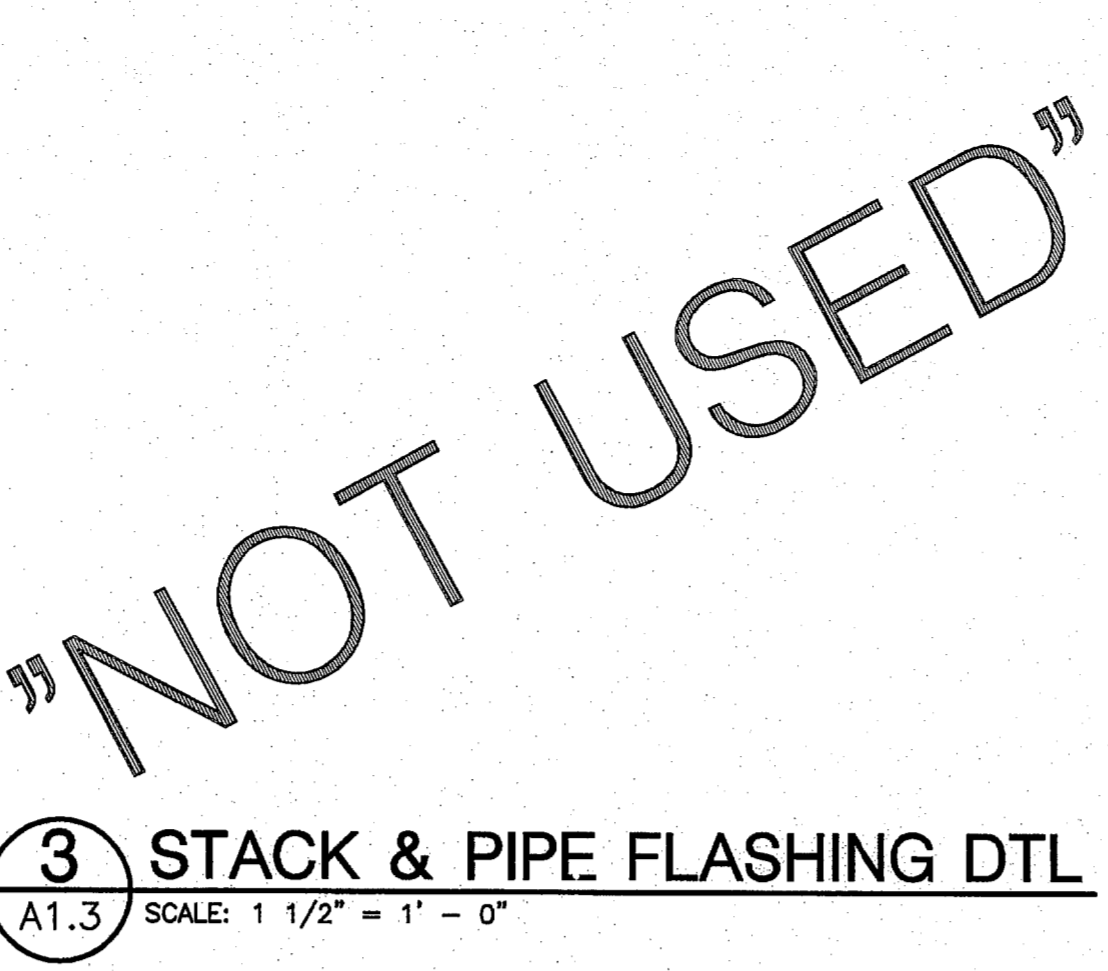
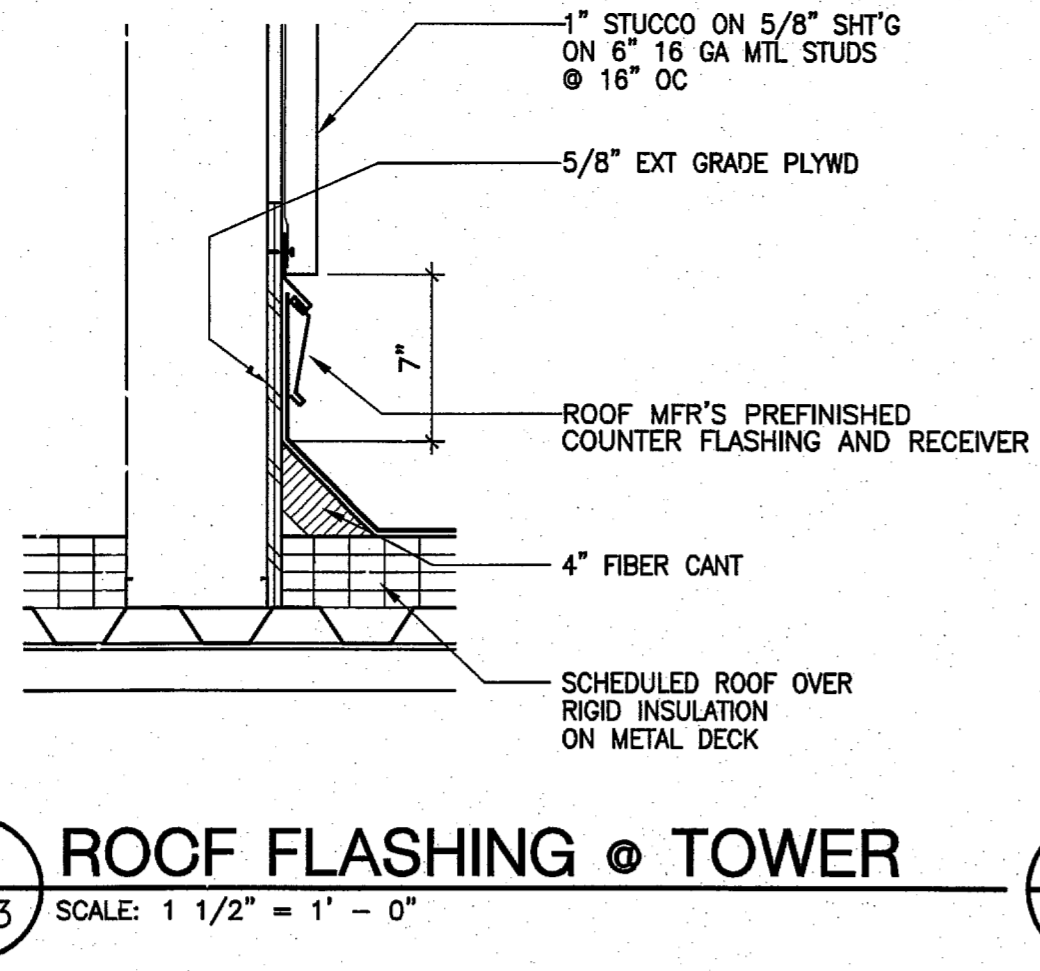
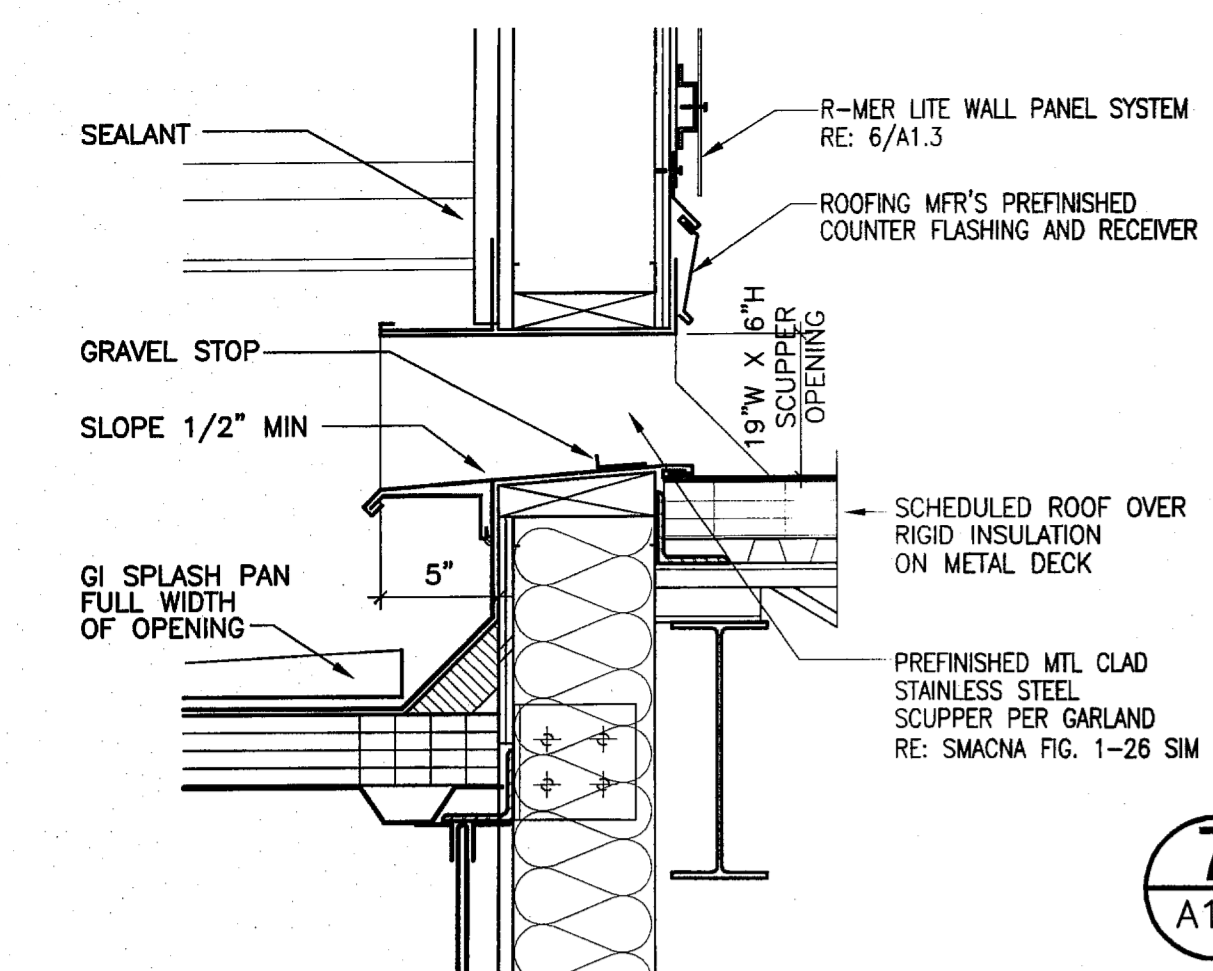
6 TYP. ROOF FLASHING
A1.3 SCALE: 1 1/2" = 1' - 0"

2 VENT FLASHING DETAIL
A1.3 SCALE: 1 1/2" = 1' - 0"

11 SCUPPER DETAIL @ CANOPY
A1.3 SCALE: 1 1/2" = 1' - 0"

7 ROOF FLASHING @ TOWER
A1.3 SCALE: 1 1/2" = 1' - 0"

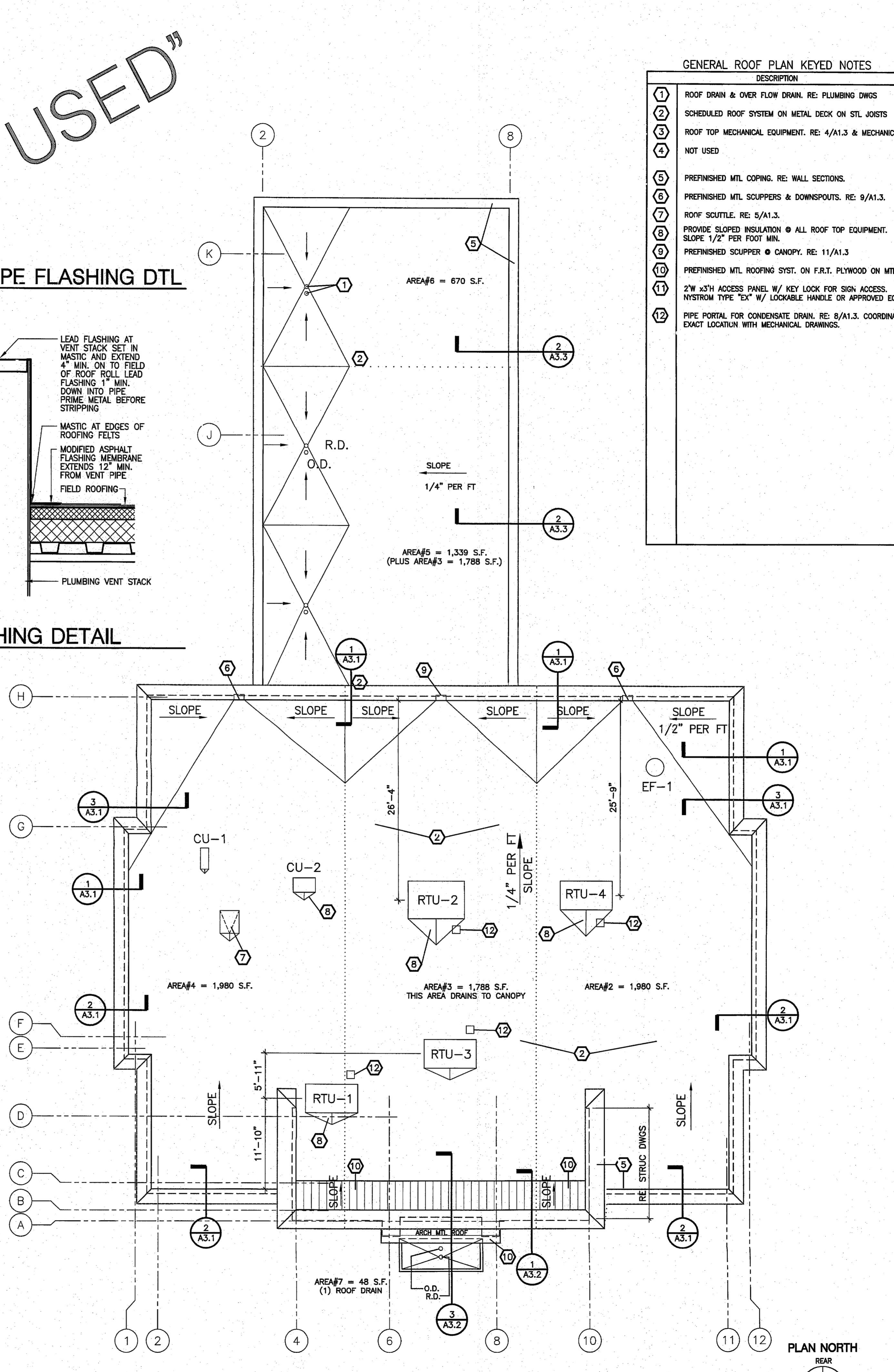
3 STACK & PIPE FLASHING DTL
A1.3 SCALE: 1 1/2" = 1' - 0"



8 PIPE PENETRATION ROOF CURB
A1.3 SCALE: 1 1/2" = 1' - 0"

4 HVAC ROOF CURB
A1.3 SCALE: 1" = 1' - 0"

1 ROOF PLAN
A1.3 SCALE: 1/8" = 1' - 0"



GENERAL ROOF PLAN KEYED NOTES

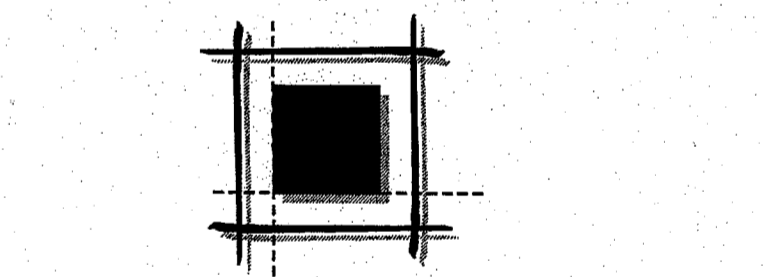
DESCRIPTION
1 ROOF DRAIN & OVER FLOW DRAIN. RE: PLUMBING DWGS
2 SCHEDULED ROOF SYSTEM ON METAL DECK ON STL JOISTS
3 ROOF TOP MECHANICAL EQUIPMENT. RE: 4/A1.3 & MECHANICAL DWGS
4 NOT USED
5 PREFINISHED MTL COPING. RE: WALL SECTIONS.
6 PREFINISHED MTL SCUPPERS & DOWNSPOUTS. RE: 9/A1.3.
7 ROOF SCUTTLE. RE: 5/A1.3.
8 PROVIDE SLOPED INSULATION @ ALL ROOF TOP EQUIPMENT. SLOPE 1/2" PER FOOT MIN.
9 PREFINISHED SCUPPER @ CANOPY. RE: 11/A1.3
10 PREFINISHED MTL ROOFING SYST. ON F.R.T. PLYWOOD ON MTL FRAMING
11 2'W x3'H ACCESS PANEL W/ KEY LOCK FOR SIGN ACCESS. NYSTROM TYPE "EX" W/ LOCKABLE HANDLE OR APPROVED EQUAL.
12 PIPE PORTAL FOR CONDENSATE DRAIN. RE: 8/A1.3. COORDINATE EXACT LOCATION WITH MECHANICAL DRAWINGS.

"NOT USED"

"NOT USED"

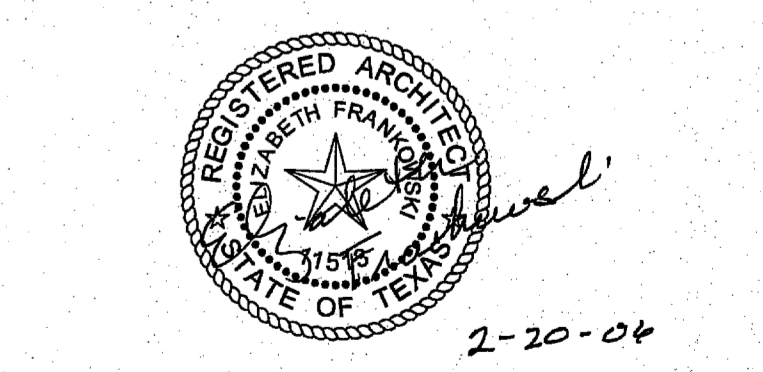
CAPITAL ONE
DFW-35 ADDISON
BELT LINE RD. & MARSH LN.
ADDISON, TEXAS

CapitalOne
Capital One
Design & Construction
Corp. Carondelet 8th Floor
New Orleans, LA 70112



LEVINSON
ASSOCIATES, L.P.
6117 Richmond Ave., Suite 200 Houston, Texas 77057
tel 713.787.0000 fax 713.850.8250
ARCHITECTURE PLANNING INTERIOR DESIGN

DRAWN BY:	CHECKED BY:	REVISED BY:
REVISIONS		REV. BY:



LALP Project Number: 25271.000
Issued For: PERMIT

A1.3
ROOF PLAN & DETAILS
Issue Date: FEBRUARY 20, 1996