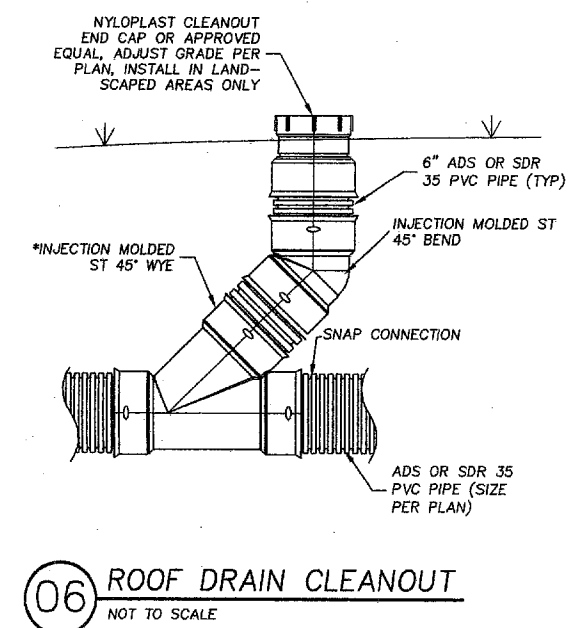
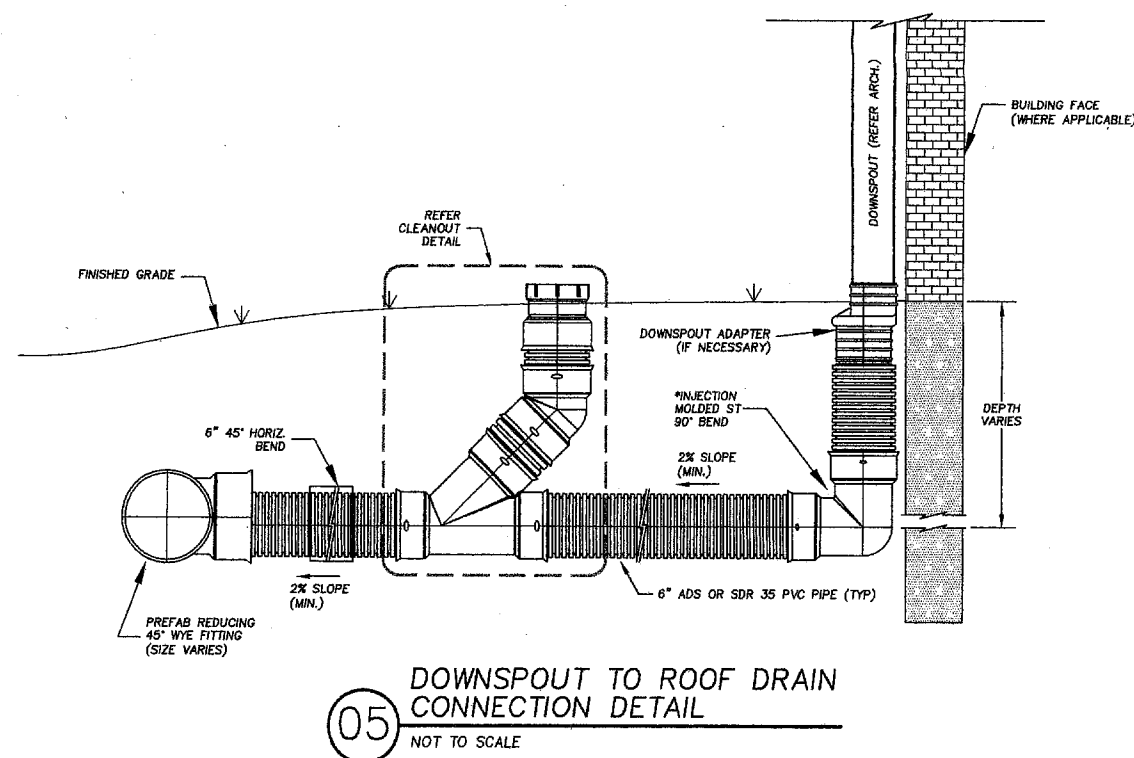
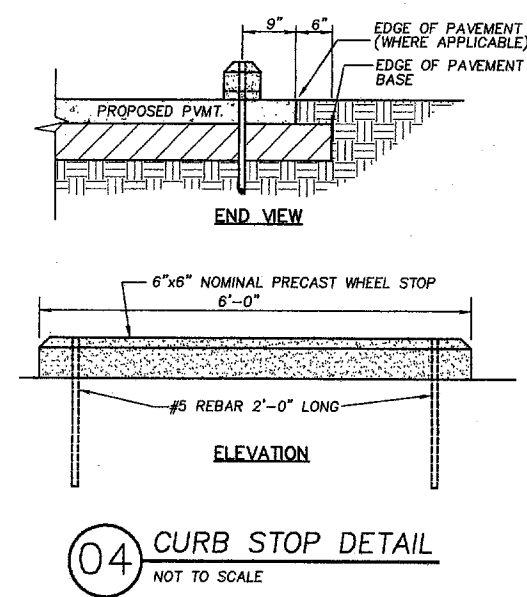
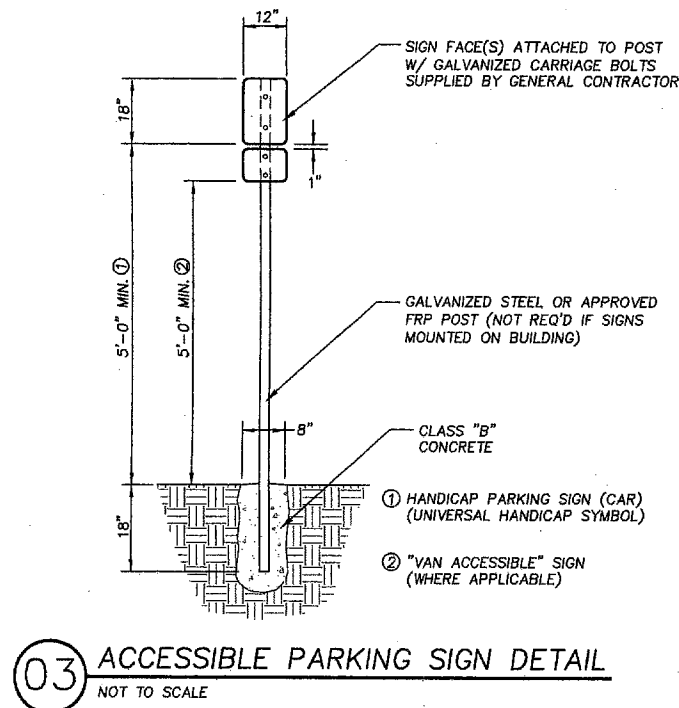
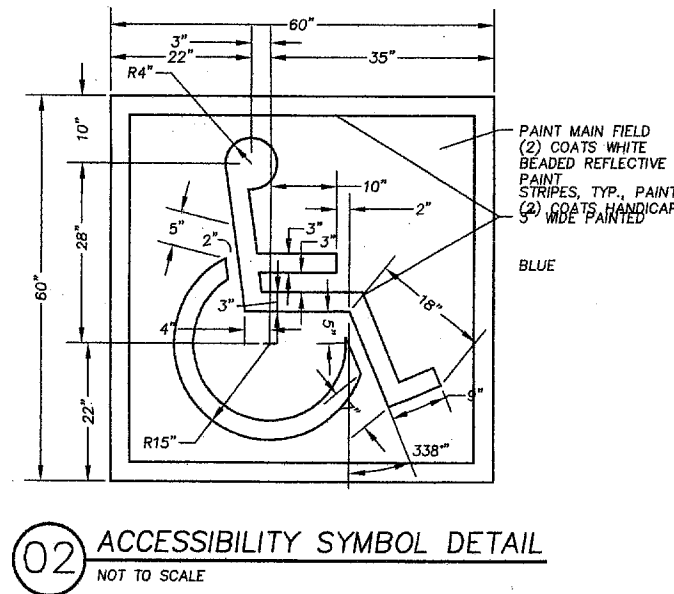
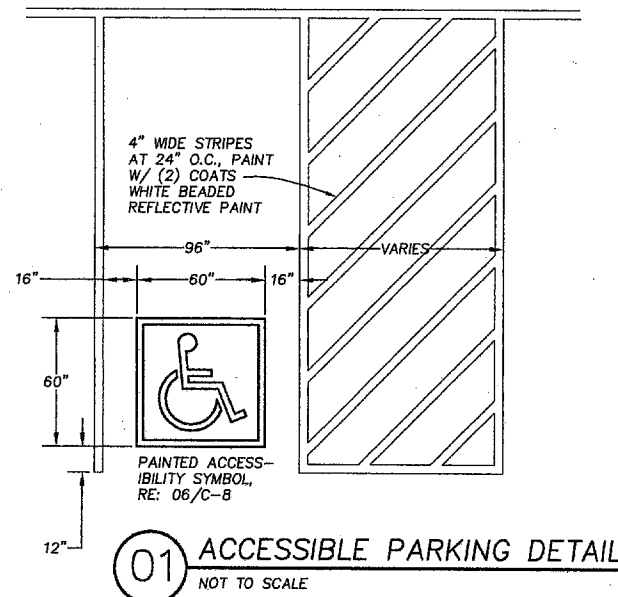


© Vilbig & Associates, Inc. Unauthorized application is prohibited.

June 30, 2008 2:10PM-2:27 PM Permitted by Civil Code 660-274. Drawn by: JF/AL/ML



DRAWING PREPARED BY:
VILBIG & ASSOCIATES, INC.
 CONSULTING ENGINEERS & SURVEYORS
 10132 MONROE DRIVE DALLAS, TEXAS 75229
 (214) 352-7333 fax (214) 352-0999

BOW Building God's Way
 2909 WASHINGTON BLVD. COCHEN, UTAH 84001
 PHONE: 801-621-4781
 WWW.BOWBUILDING.COM

COMPANY
 TRINITY CHRISTIAN ACADEMY
 NEW PERFORMING ARTS BLDG.
 EARLY SITE & FOUNDATION PACKAGE
 17001 ADDISON RD., ADDISON, TX 75001

ENGINEER
 David A. Vilbig, P.E.
 Project Manager: Chris Wilton, P.E.
 Date: June 30, 2008
 Original Issue Date: June 30, 2008

DESCRIPTION

DATE

REV

BY

CHKD

DATE

CMW

SITE DETAILS

Project: AS-081

C6.1

DO NOT SCALE DRAWING