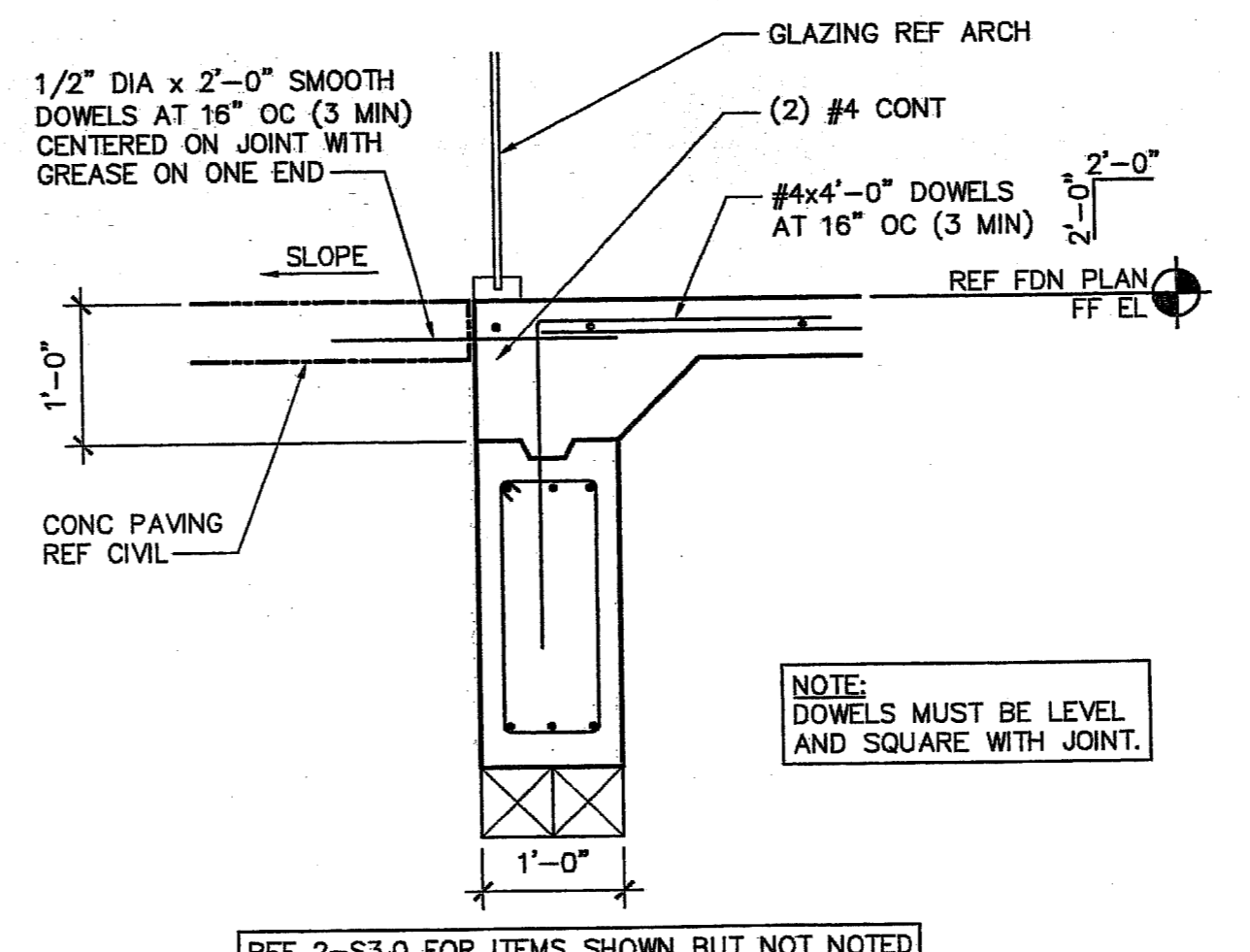
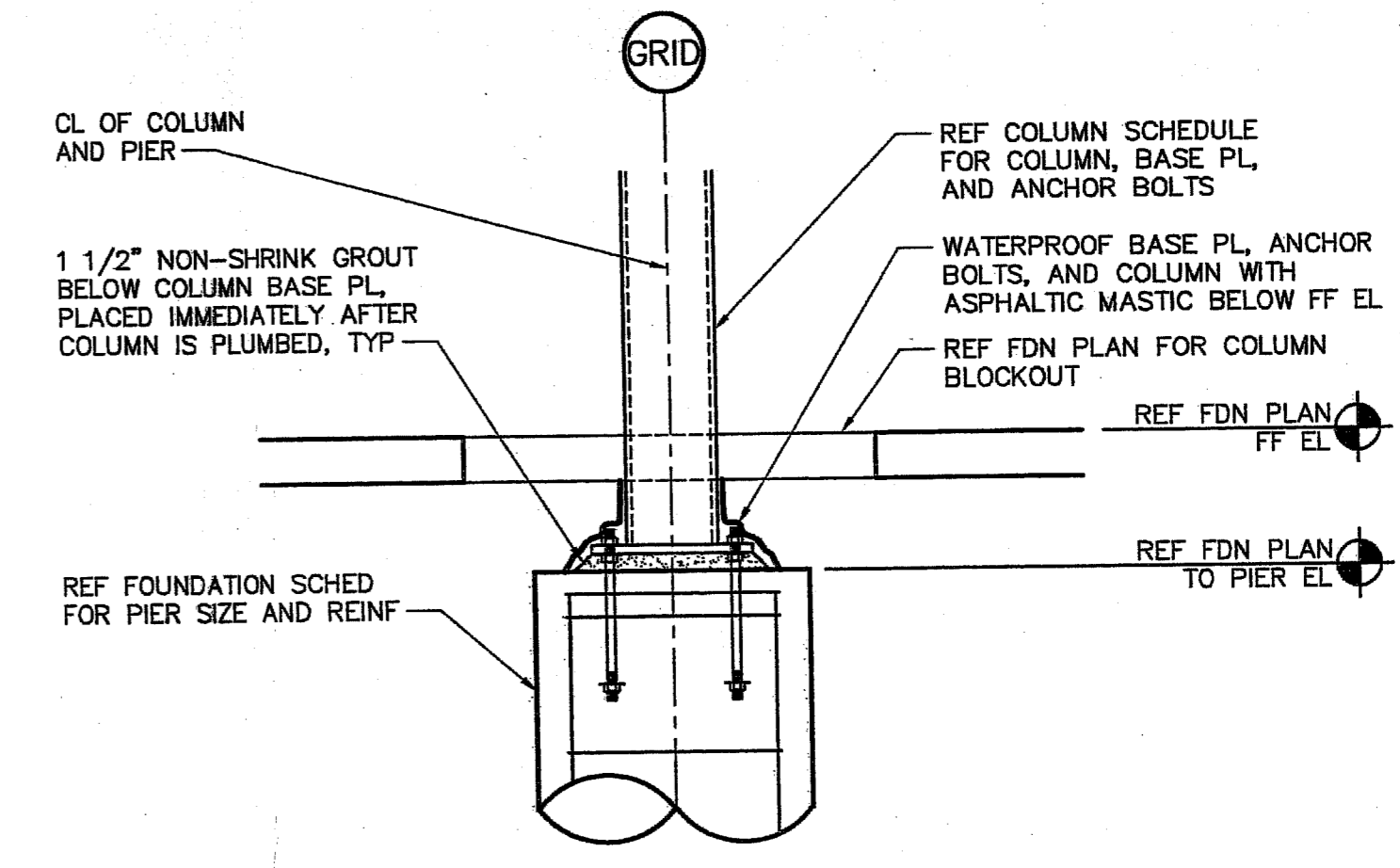


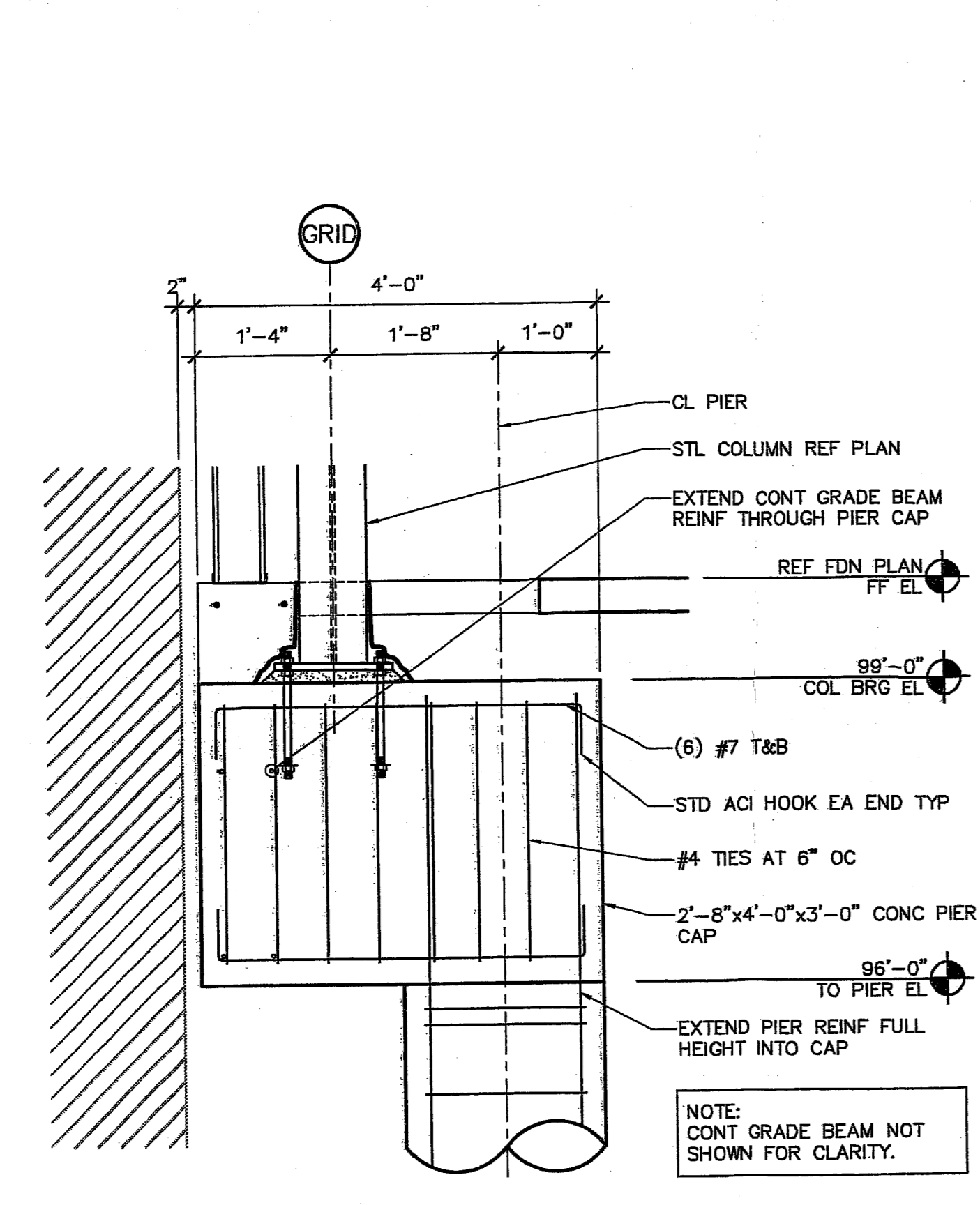
10 GRADE BEAM STEP
3/4" = 1'-0"



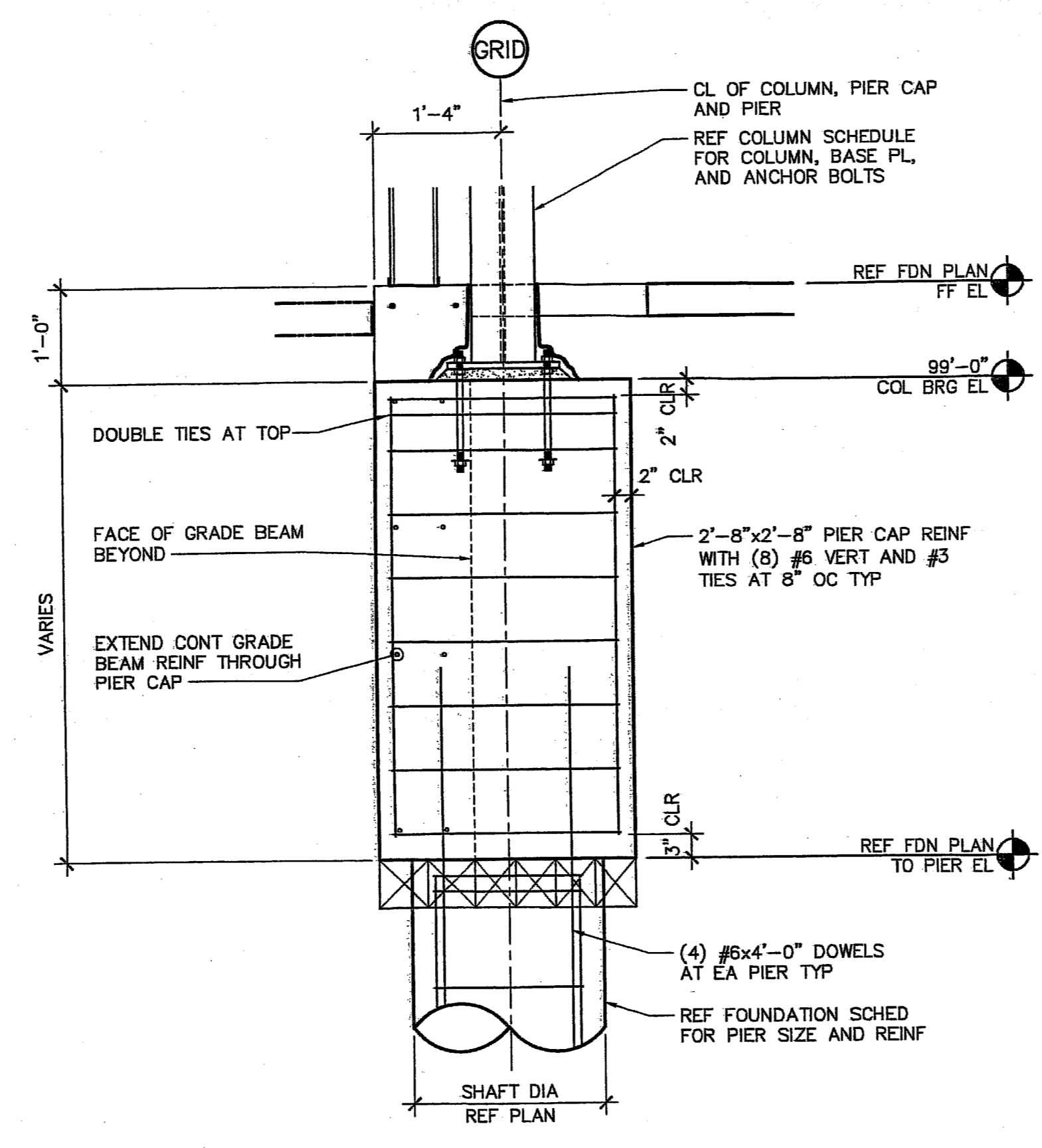
9 SLAB AT GLAZING
3/4" = 1'-0"



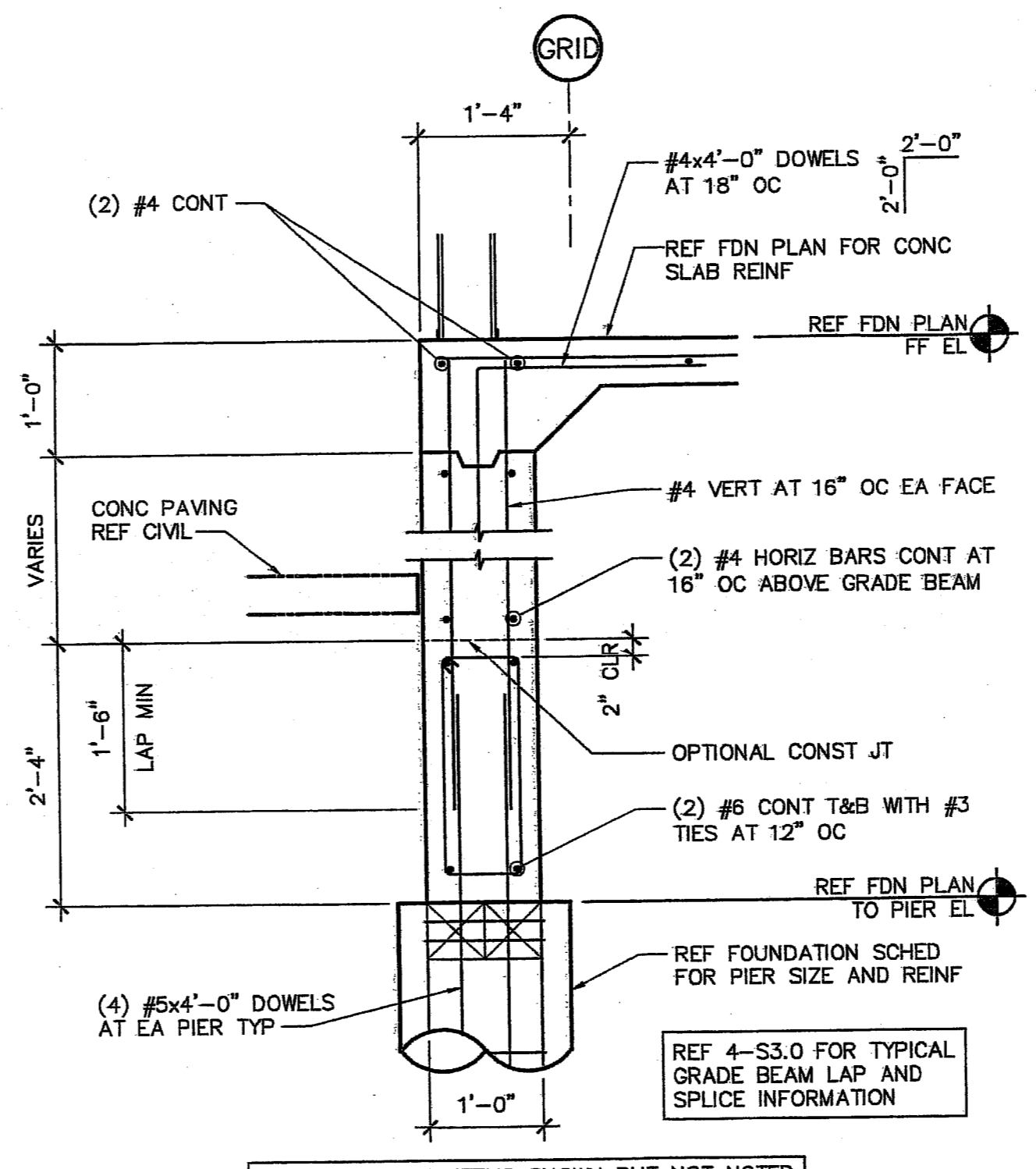
8 INTERIOR COLUMN PIER
3/4" = 1'-0"



7 COLUMN/PIER AT EXIST
3/4" = 1'-0"



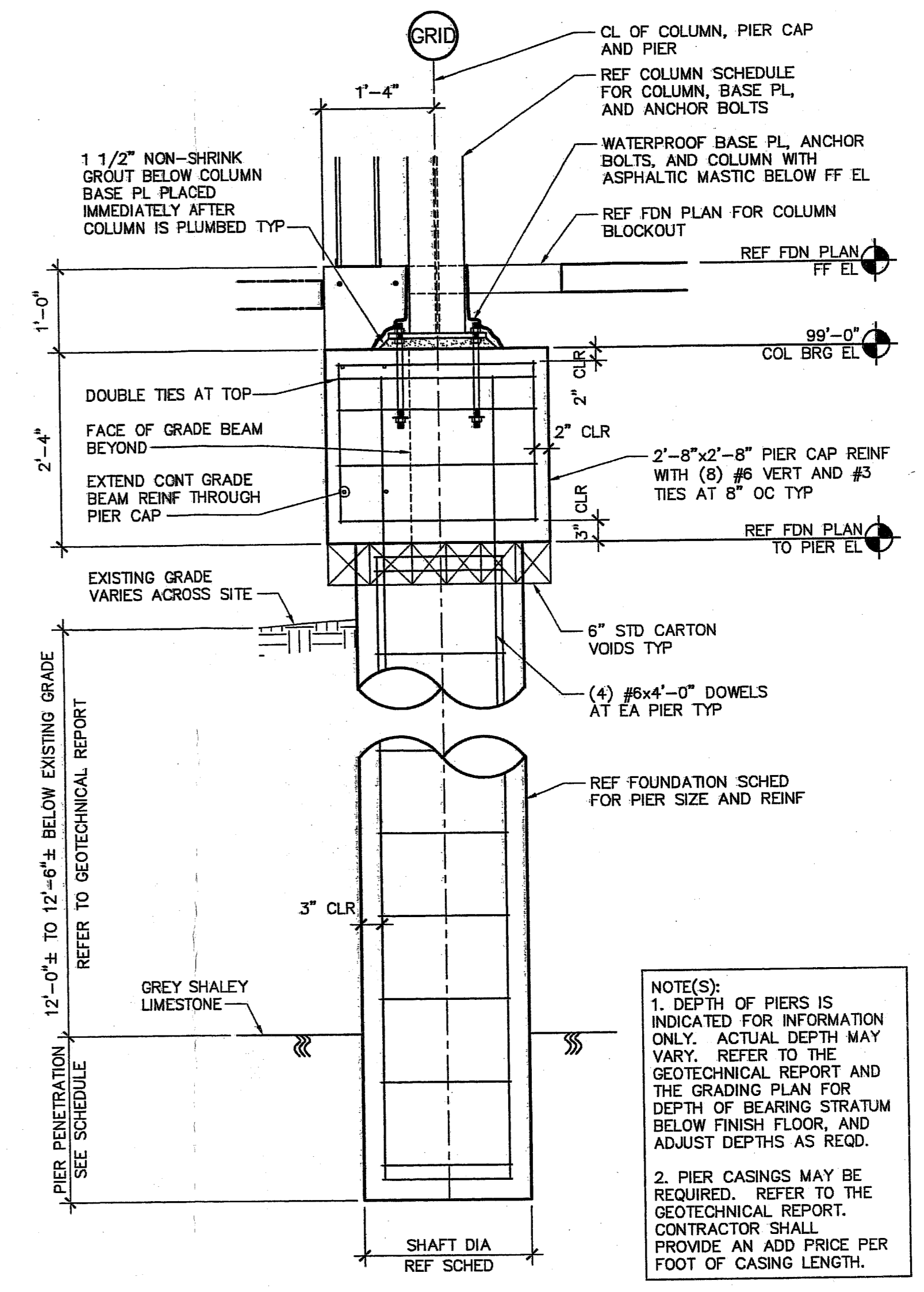
6 EXTERIOR COLUMN AT PIER
3/4" = 1'-0"



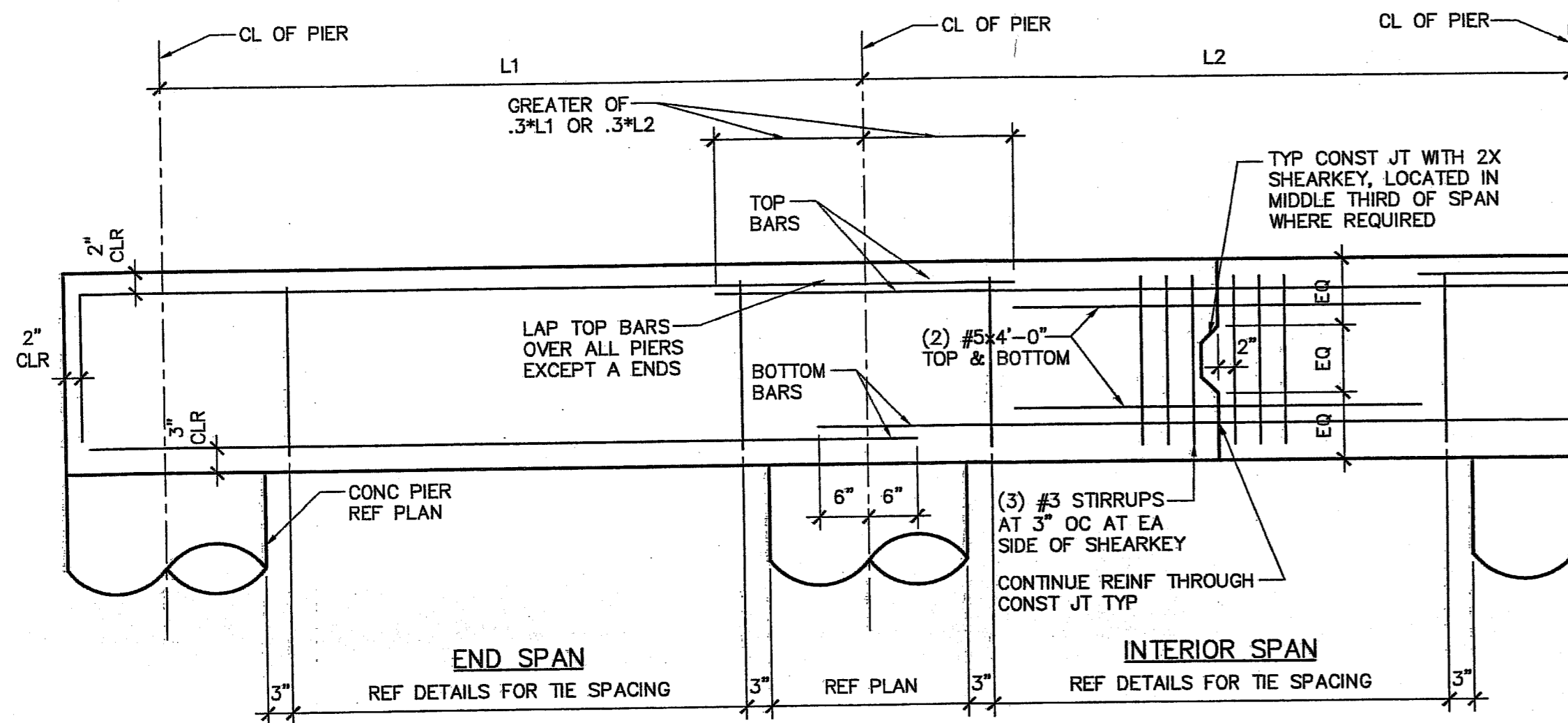
5 EXTERIOR WALL AT PIER
3/4" = 1'-0"

TYP PIER PENTR & REINF				
PIER DIAMETER	PENTR TYP UNO	VERT REINF	HOOP TIES	NOTES
18"	2'-0"	(5) #5	#3 AT 12" OC	1, 2
24"	4'-0"	(6) #6	#3 AT 12" OC	1, 2
30"	4'-0"	(6) #7	#3 AT 12" OC	1, 2

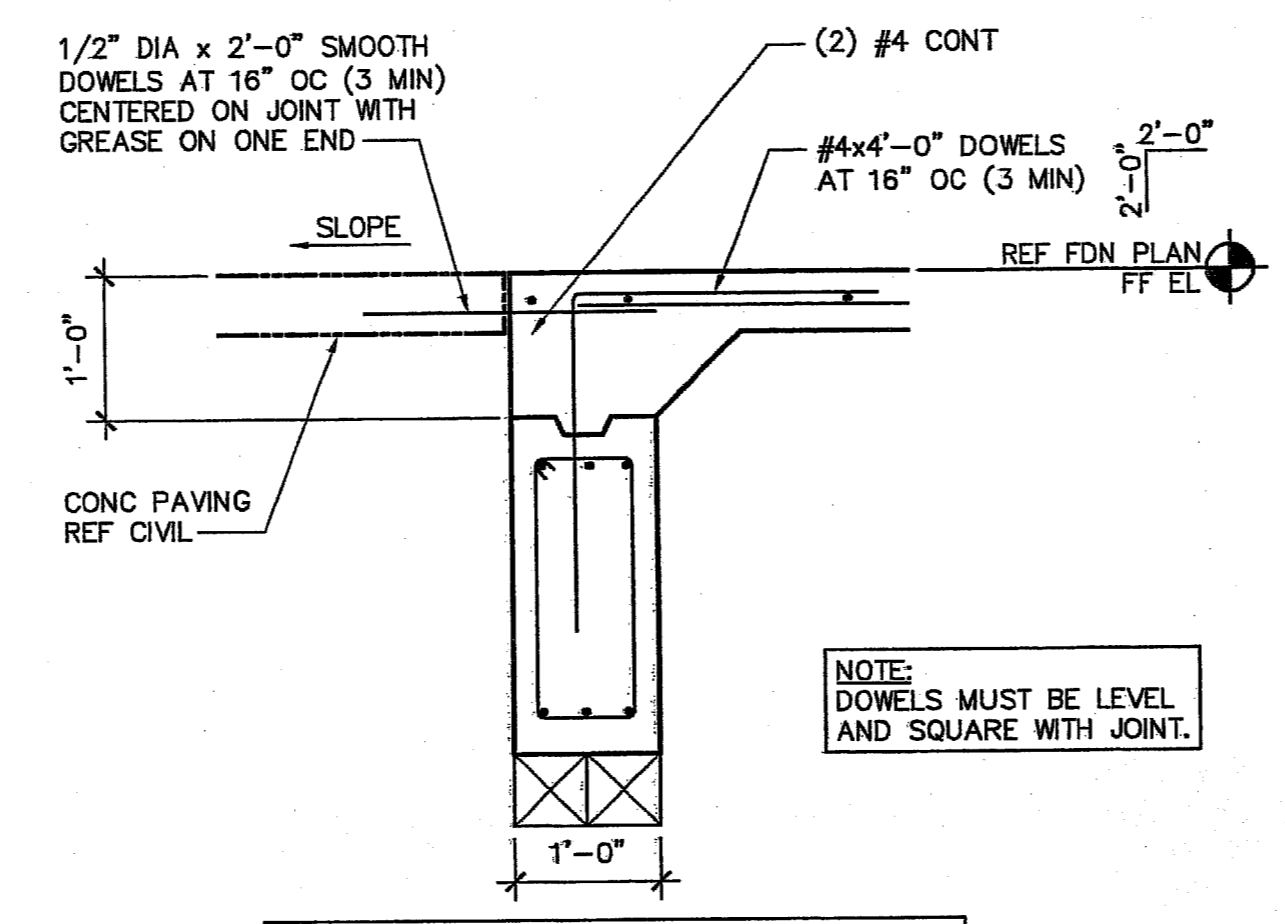
NOTE(S):
 1. PROVIDE HOOP TIES AT 2' OC EA END, BALANCE TIES AT SPACING INDICATED IN SCHEDULE.
 2. PIER PENETRATIONS SHOWN ABOVE ARE TYPICAL FOR EACH PIER DIAMETER UNLESS NOTED OTHERWISE ON THE FOUNDATION PLAN.



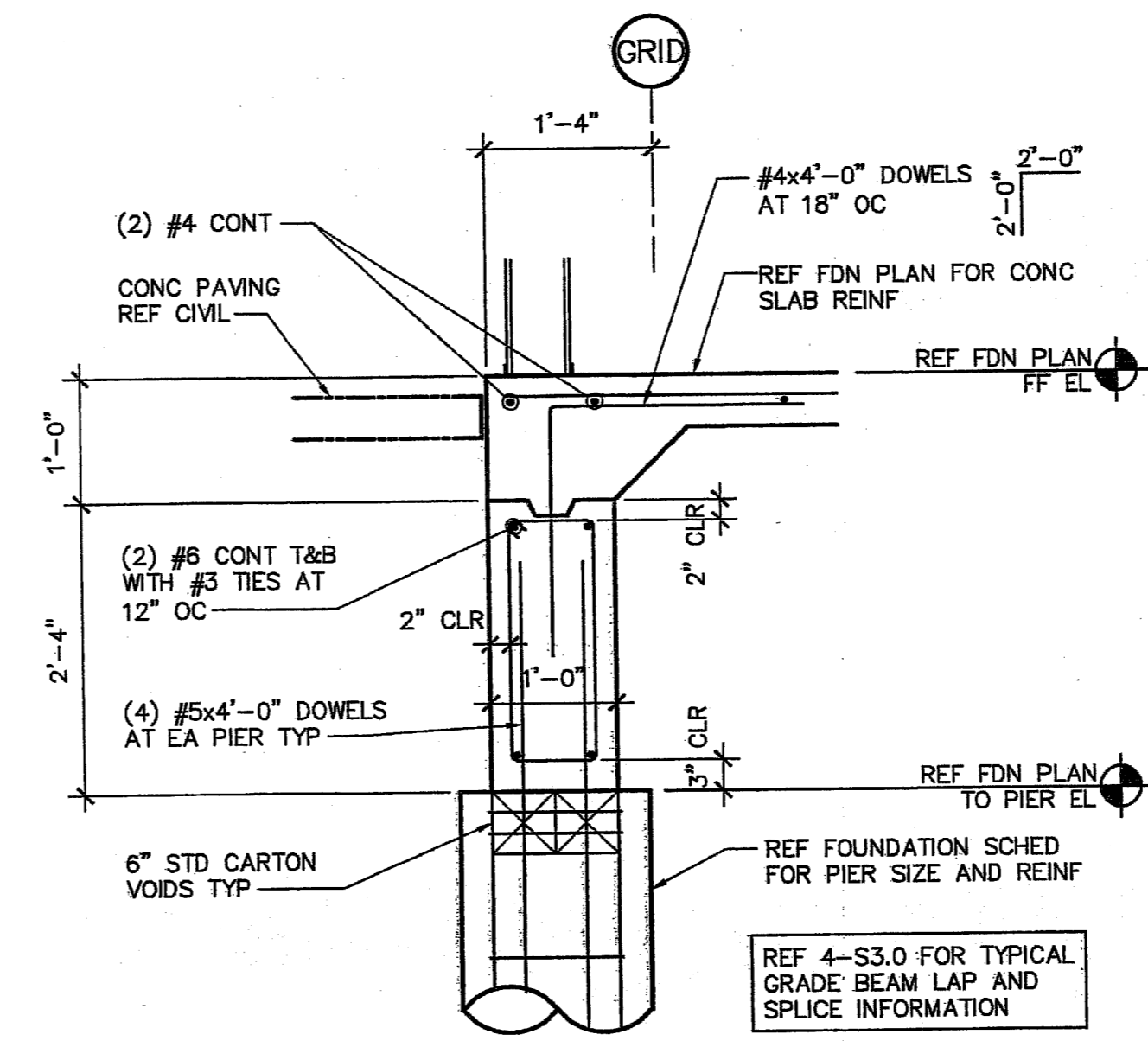
1 EXTERIOR COLUMN AT PIER
3/4" = 1'-0"



4 CONCRETE GRADE BEAM REINFORCING DIAGRAM
3/4" = 1'-0"



3 SLAB AT OPENING
3/4" = 1'-0"



2 EXTERIOR WALL AT PIER
3/4" = 1'-0"

AG&E NO. 06-029
 AG&E Associates, PLLC
 3616 Maple Avenue, Suite 101
 Dallas, Texas 75219
 Ph: 214.520.7202 Fax: 214.520.7204

BC&W SUPPLY
 2000 WASHINGTON BLVD.
 COTTAGE PLACE, TX 75041
 PHONE: 972-424-4781
 FAX: 972-424-4781

BC&W
 Briffington's Way
 1100 W. BRIDGES BLVD.
 SUITE 100
 IRVING, TX 75039
 PHONE: 972-251-1100
 FAX: 972-251-1100

STATE OF TEXAS
 R. BRYAN GAGE
 91785
 4/28/06

TRINITY CHRISTIAN ACADEMY
NEW PERFORMING ARTS BLDG.
 EARLY SITE & FOUNDATION PACKAGE
 17001 ADDISON RD., ADDISON, TX 75001

FOUNDATION SECTIONS

Project AS-081
S3.0

DO NOT SCALE DRAWING