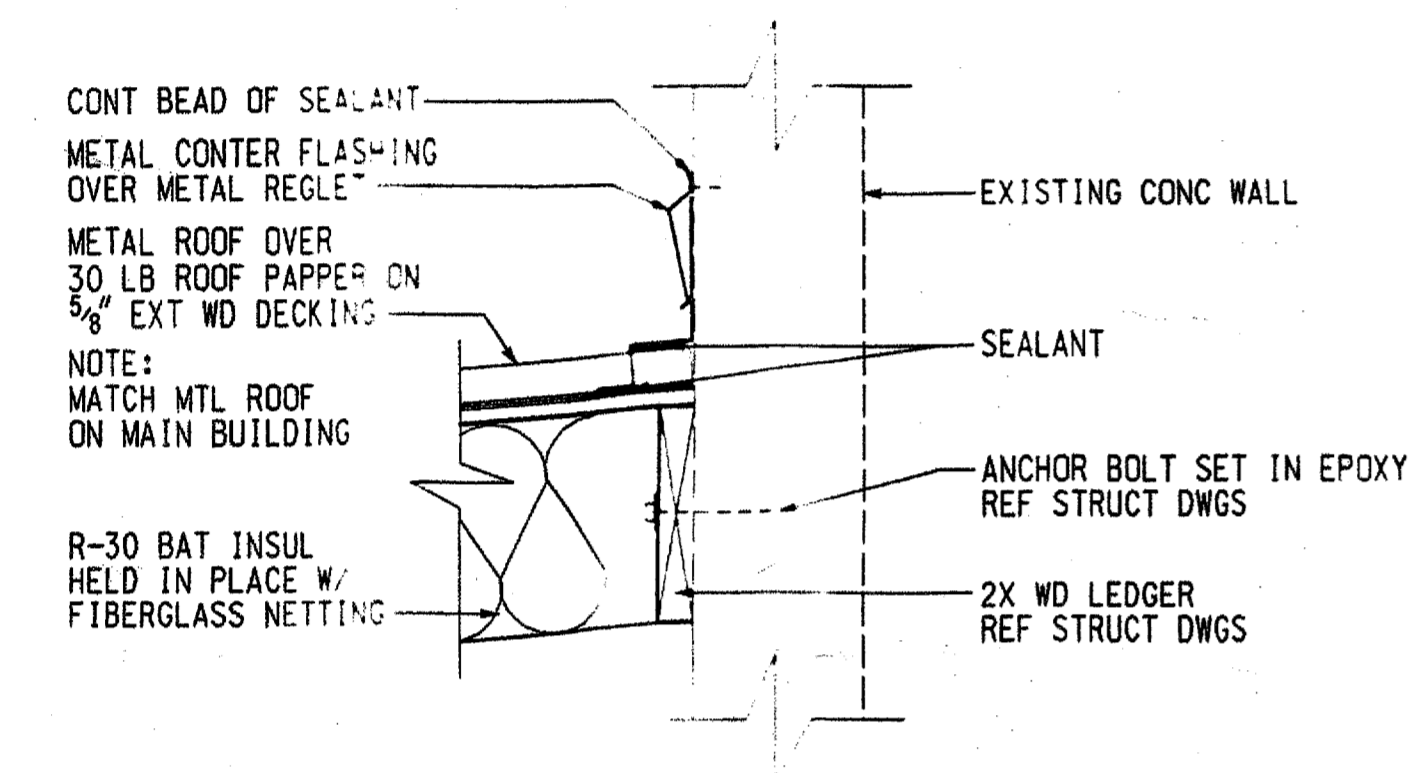


METAL ROOF ON 5/8" EXT ROOF DECKING MATCH MTL ROOF ON MAIN BLDG
 ONE LAYER 20 LB BLDG PAPER
 GUTTER FASTENER
 METAL GUTTER
 2X WD RIM JOIST REF STRUCT
 METAL DS BEYOND

7/8" SMOOTH STUCCO FINISH SYSTEM OVER TYVEK STUCCO WRAP OVER (2) LAYERS 30 LB BLDG PAPER ON 1/2" EXTERIOR PLYWD. LOCATE VERTICAL EXPANSION JOINTS BEHIND DOWNSPOUTS

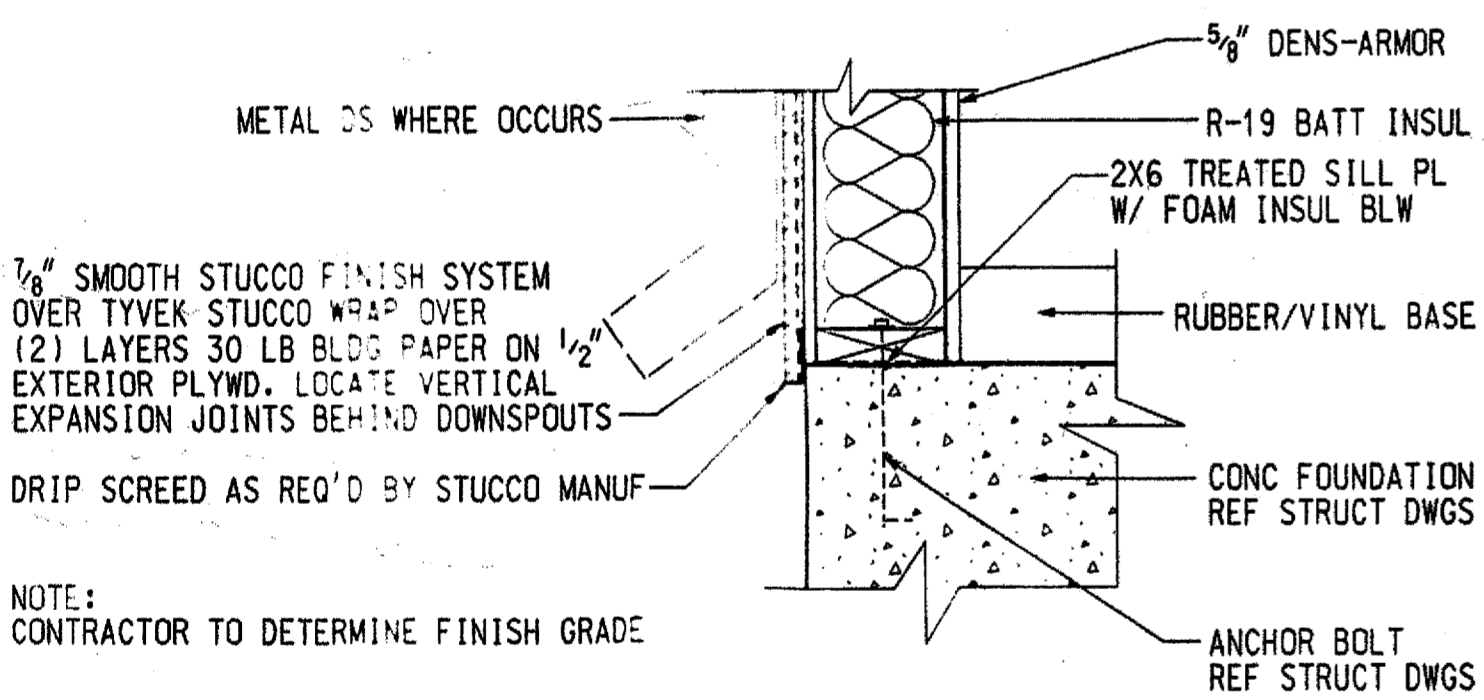
(2) 2X6 TOP PLATE

6 REF
 A2.0 3/A2.0
 1 1/2" = 1'-0"



CONT BEAD OF SEALANT
 METAL COUNTER FLASHING OVER METAL REGLET
 METAL ROOF OVER 30 LB ROOF PAPER ON 5/8" EXT WD DECKING
 NOTE: MATCH MTL ROOF ON MAIN BUILDING
 SEALANT
 ANCHOR BOLT SET IN EPOXY REF STRUCT DWGS
 R-30 BATT INSUL HELD IN PLACE W/ FIBERGLASS NETTING
 2X WD LEDGER REF STRUCT DWGS

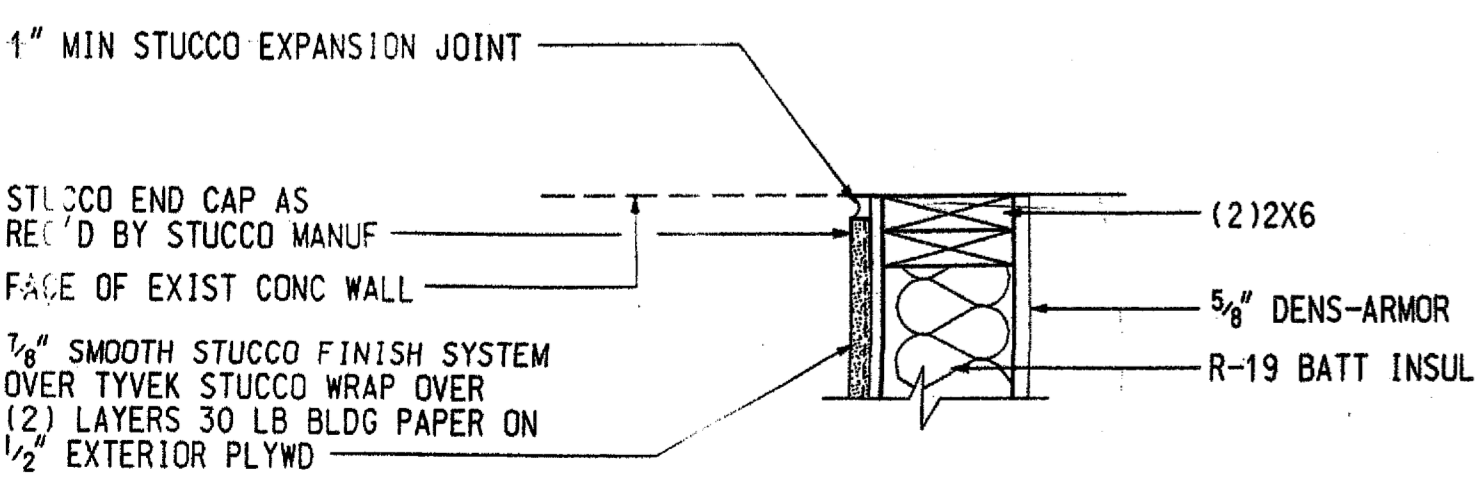
7 REF
 A2.0 3/A2.0
 1 1/2" = 1'-0"



7/8" SMOOTH STUCCO FINISH SYSTEM OVER TYVEK STUCCO WRAP OVER (2) LAYERS 30 LB BLDG PAPER ON 1/2" EXTERIOR PLYWD. LOCATE VERTICAL EXPANSION JOINTS BEHIND DOWNSPOUTS
 DRIP SCREED AS REQ'D BY STUCCO MANUF
 CONC FOUNDATION REF STRUCT DWGS
 ANCHOR BOLT REF STRUCT DWGS

NOTE: CONTRACTOR TO DETERMINE FINISH GRADE

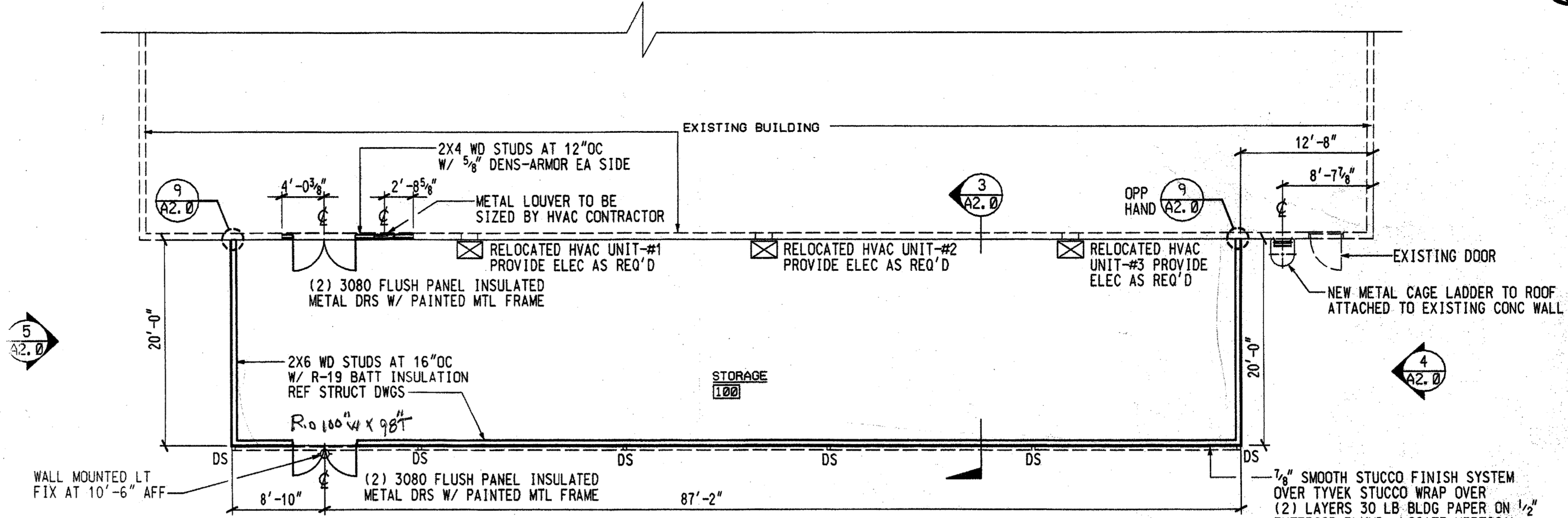
8 REF
 A2.0 3/A2.0
 1 1/2" = 1'-0"



1" MIN STUCCO EXPANSION JOINT
 STUCCO END CAP AS REQ'D BY STUCCO MANUF
 FACE OF EXIST CONC WALL
 5/8" DENS-ARMOR
 R-19 BATT INSUL

7/8" SMOOTH STUCCO FINISH SYSTEM OVER TYVEK STUCCO WRAP OVER (2) LAYERS 30 LB BLDG PAPER ON 1/2" EXTERIOR PLYWD

9 REF
 A2.0 1/A2.0
 1 1/2" = 1'-0"



EXISTING BUILDING

2X4 WD STUDS AT 12"OC W/ 5/8" DENS-ARMOR EA SIDE

METAL LOUVER TO BE SIZED BY HVAC CONTRACTOR

RELOCATED HVAC UNIT-#1 PROVIDE ELEC AS REQ'D

RELOCATED HVAC UNIT-#2 PROVIDE ELEC AS REQ'D

RELOCATED HVAC UNIT-#3 PROVIDE ELEC AS REQ'D

EXISTING DOOR

NEW METAL CAGE LADDER TO ROOF ATTACHED TO EXISTING CONC WALL

2X6 WD STUDS AT 16"OC W/ R-19 BATT INSULATION REF STRUCT DWGS

STORAGE

(2) 3080 FLUSH PANEL INSULATED METAL DRS W/ PAINTED MTL FRAME

8'-10"

87'-2"

WALL MOUNTED LT FIX AT 10'-6" AFF

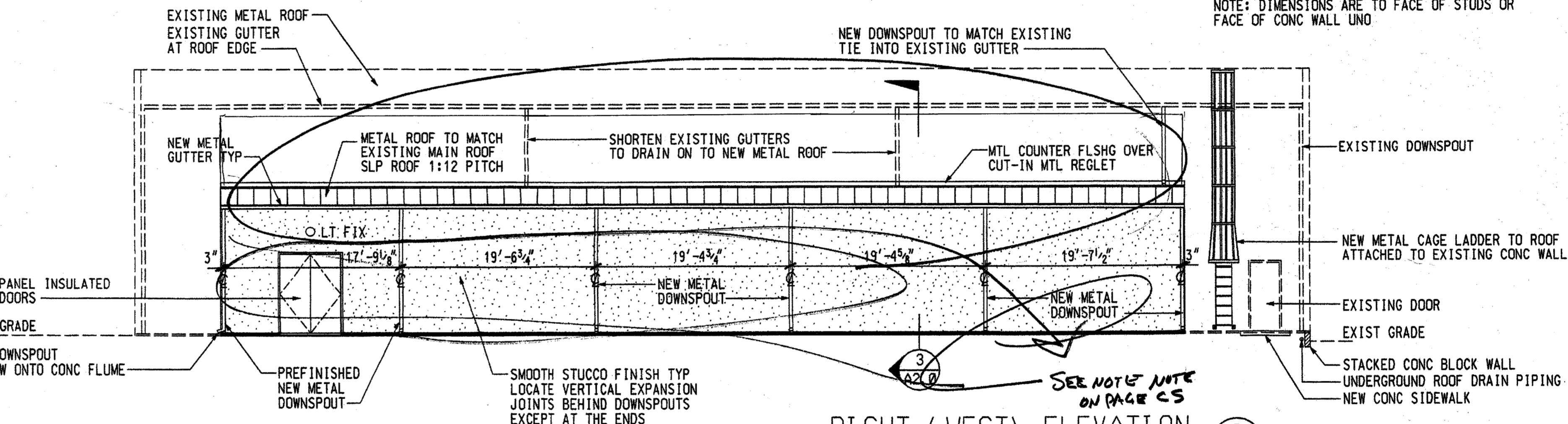
NOTE: ALL ELECTRICAL WIRE NOT ENCLOSED IN A WALL SHALL BE IN METAL CONDUIT

NOTE: DOOR HARDWARE TO BE SELECTED BY CONTRACTOR TO MATCH EXISTING BLDG

2 REF
 A2.0
 1/8" = 1'-0"

ADDITION FLOOR PLAN

1 REF
 A2.0 2, 3, 4, 5/A2.0
 NOTE: DIMENSIONS ARE TO FACE OF STUDS OR FACE OF CONC WALL UNO



EXISTING METAL ROOF
 EXISTING GUTTER AT ROOF EDGE

NEW METAL GUTTER TYP

METAL ROOF TO MATCH EXISTING MAIN ROOF SLP ROOF 1:12 PITCH

SHORTEN EXISTING GUTTERS TO DRAIN ON TO NEW METAL ROOF

MTL COUNTER FLSHG OVER CUT-IN MTL REGLET

EXISTING DOWNSPOUT

NEW METAL CAGE LADDER TO ROOF ATTACHED TO EXISTING CONC WALL

EXISTING DOOR

EXIST GRADE

STACKED CONC BLOCK WALL UNDERGROUND ROOF DRAIN PIPING

NEW CONC SIDEWALK

NEW DOWNSPOUT TO MATCH EXISTING TIE INTO EXISTING GUTTER

NEW METAL DOWNSPOUT

NEW METAL DOWNSPOUT

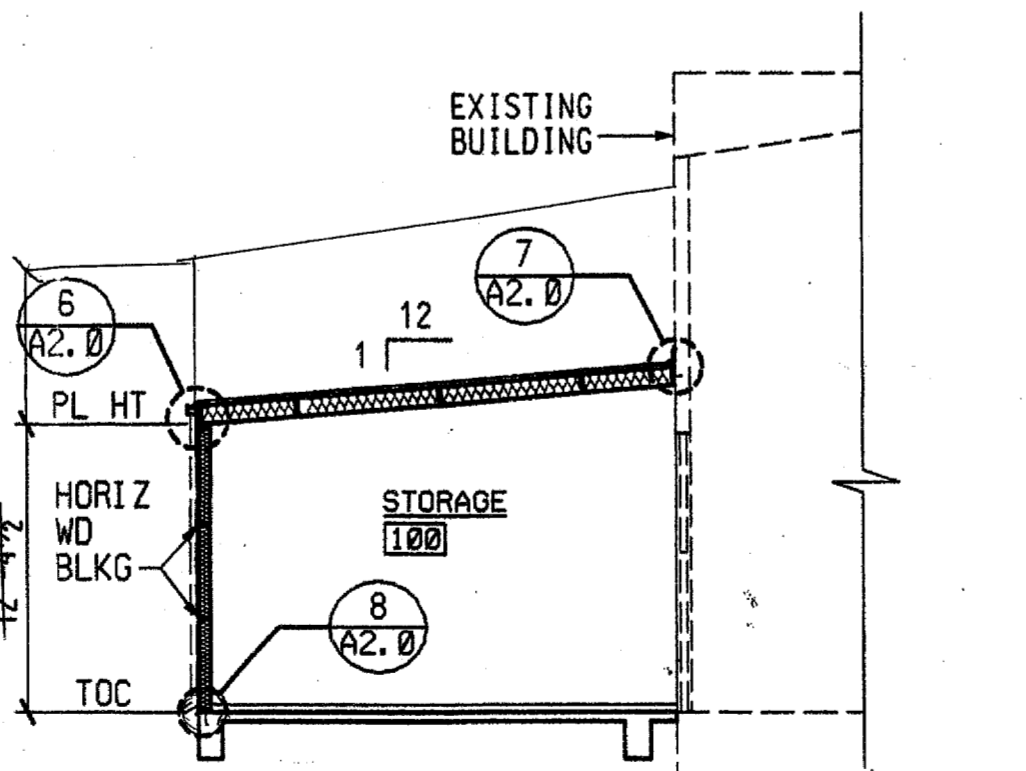
SMOOTH STUCCO FINISH TYP LOCATE VERTICAL EXPANSION JOINTS BEHIND DOWNSPOUTS EXCEPT AT THE ENDS

SEE NOTE NOTE ON PAGE C5

3 REF
 A2.0
 1/8" = 1'-0"

RIGHT (WEST) ELEVATION

2 REF
 A2.0 1/A2.0



EXISTING BUILDING

20'-0"

12'-0"

12'-0"

1'-0"

PL HT

HORIZ WD BLKG

TOC

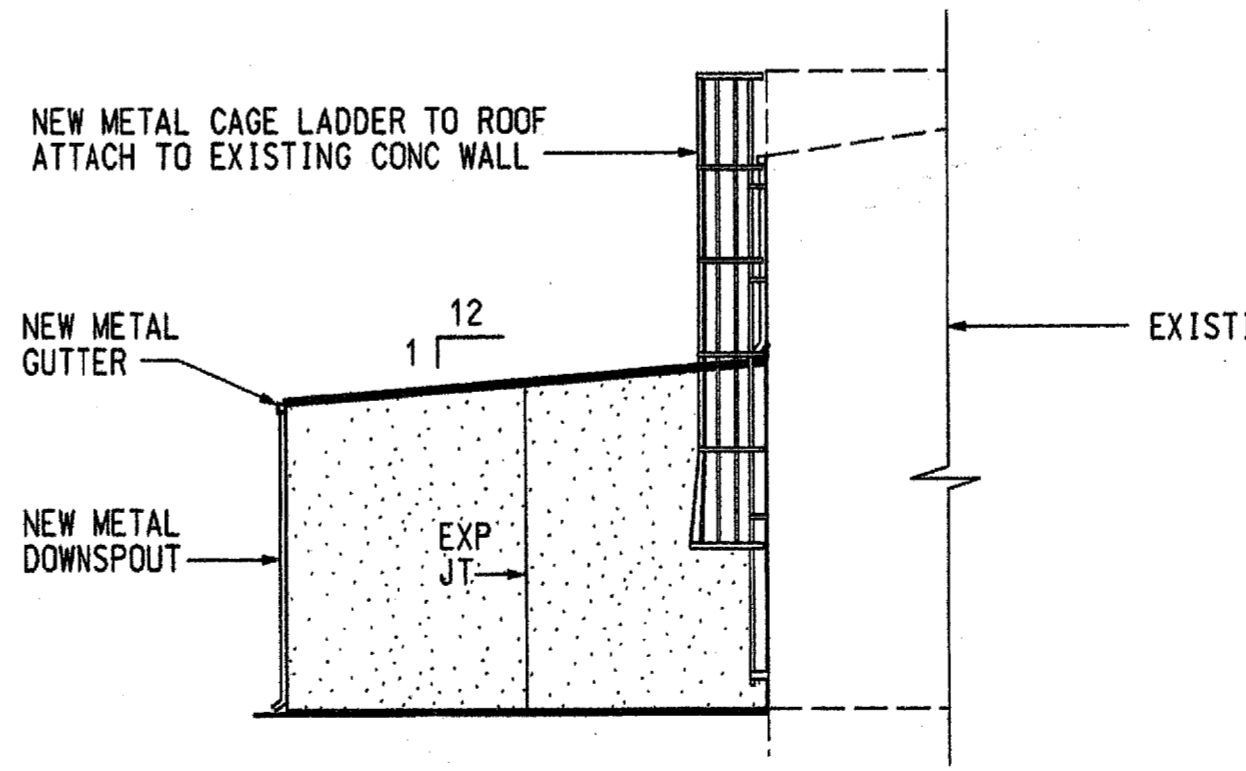
STORAGE

8'-0"

2'-0"

3 REF
 A2.0 1, 6, 7, 8/A2.0
 1/8" = 1'-0"

PARTIAL SECTION



NEW METAL CAGE LADDER TO ROOF ATTACH TO EXISTING CONC WALL

NEW METAL GUTTER

NEW METAL DOWNSPOUT

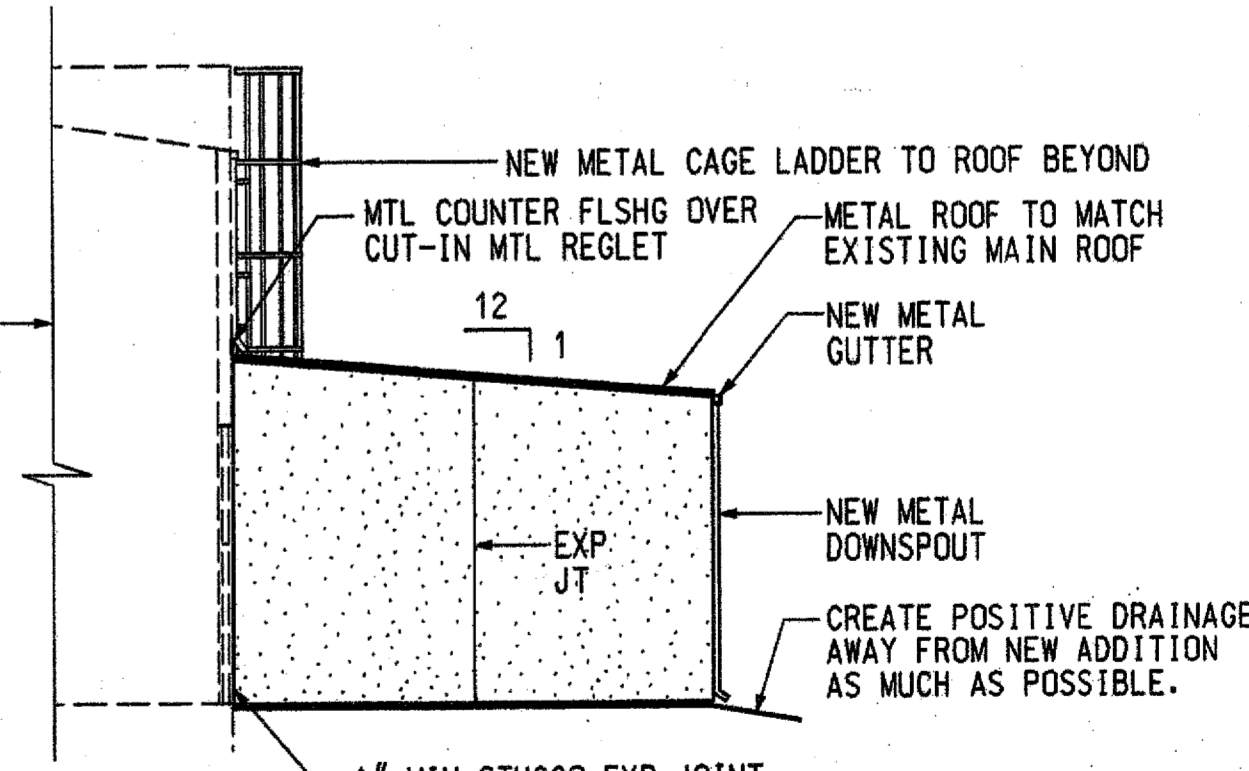
12'-0"

1'-0"

EXP JT

4 REF
 A2.0 1/A2.0
 1/8" = 1'-0"

PART REAR (SOUTH) ELEV



NEW METAL CAGE LADDER TO ROOF BEYOND

MTL COUNTER FLSHG OVER CUT-IN MTL REGLET

METAL ROOF TO MATCH EXISTING MAIN ROOF

NEW METAL GUTTER

NEW METAL DOWNSPOUT

12'-0"

1'-0"

EXP JT

CREATE POSITIVE DRAINAGE AWAY FROM NEW ADDITION AS MUCH AS POSSIBLE.

1" MIN STUCCO EXP JOINT

5 REF
 A2.0 1/A2.0
 1/8" = 1'-0"

PART FRONT (NORTH) ELEV

PROJECT: 0728

ISSUED DATE

REVISION

NO

TRINITY CHRISTIAN ACADEMY

GARY MORGAN WILLIAMS / ARCHITECT
 6332 BRIMWOOD DRIVE PLANO, TEXAS 75093 214-336-6468 gmmw@att.net

PERMIT SET
 SHEET: A2.0