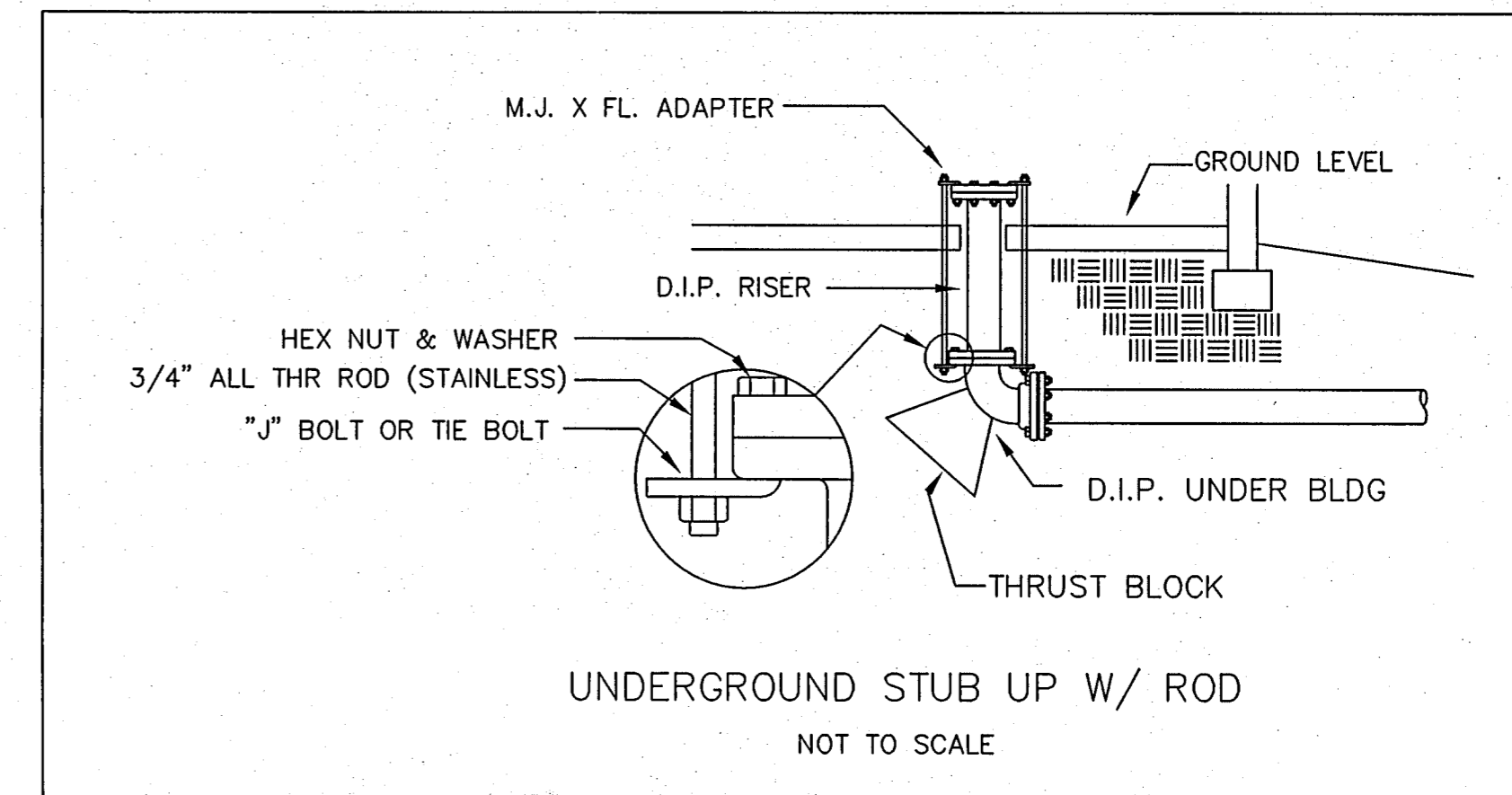
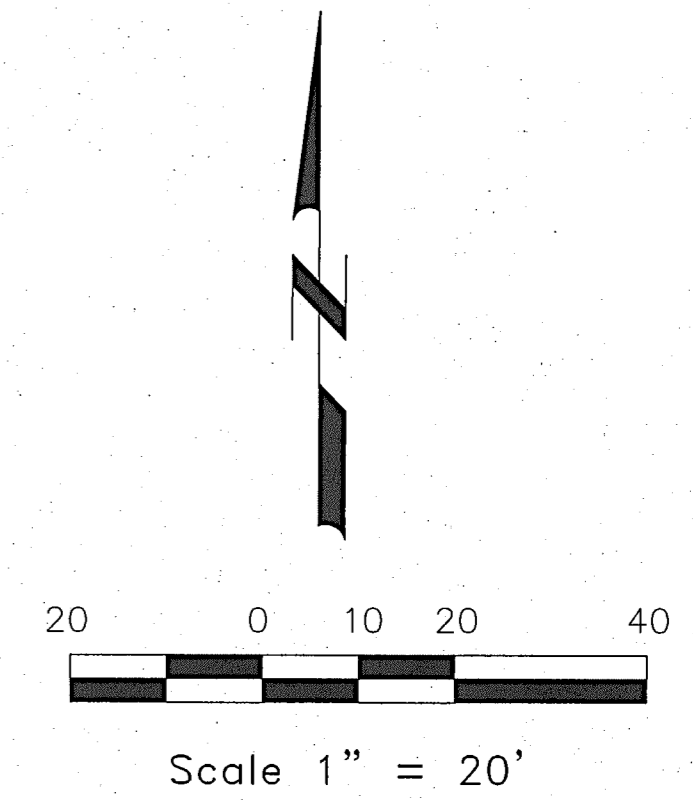
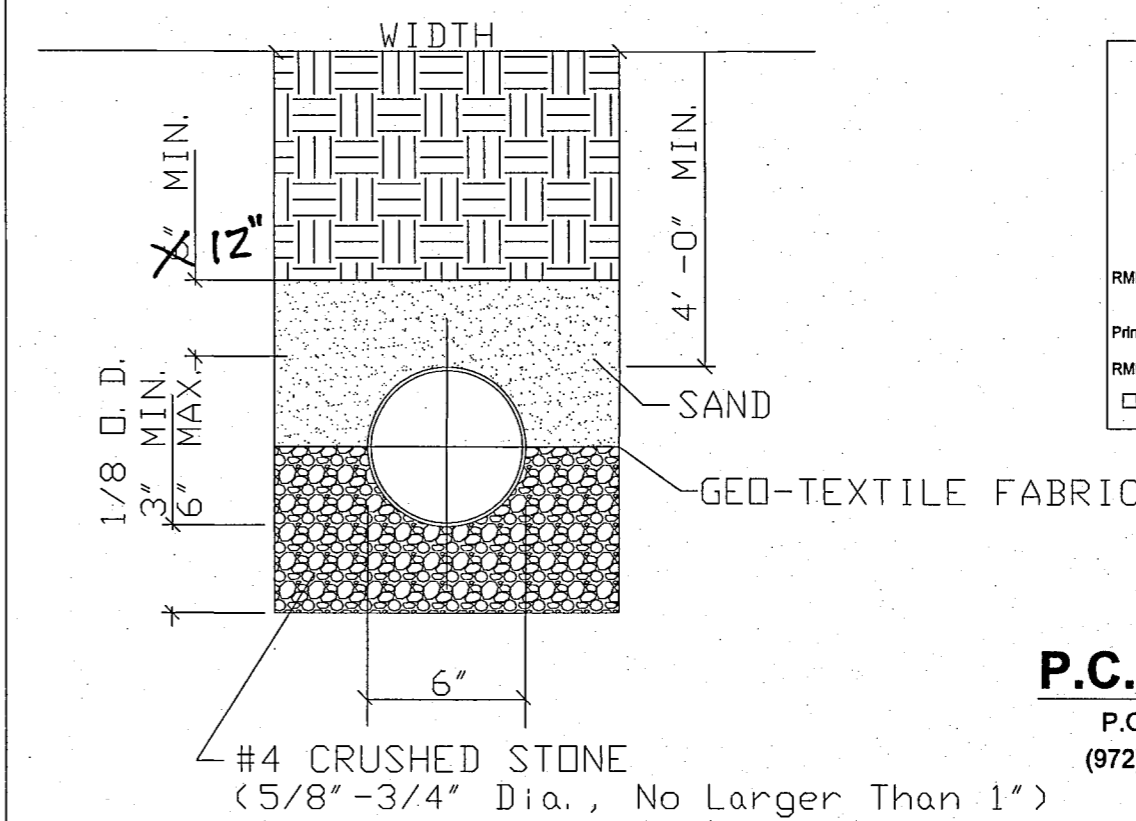


TRINITY CHRISTIAN ACADEMY
 NEW PERFORMING ARTS CENTER
 17001 ADDISON ROAD ADDISON, TX

UNDERGROUND FIRELINE



PROPOSED
 PERFORMING ARTS
 CENTER
 FF = 648.99
 SF = 25,993



DESIGNED BY:

I have reviewed these plans and certify that they comply with the adopted NFPA standards.
 Highland Fire Protection Company
 2843 E. University Drive
 McKinney, TX 75069
 Phone (214) 544-0311
 Fax (214) 544-0314
 RME Signature: *[Signature]*
 Printed RME Name: J. E. Probst
 RME - 0311 Date: 1/16/2009
 AS-BUILT SUBMITTAL OTHER

INSTALLED BY:

P.C.I. Construction, Inc.
 P.O. Box 2967 McKinney, Texas 75070
 (972) 562-2762 Office (972) 562-2954 Fax

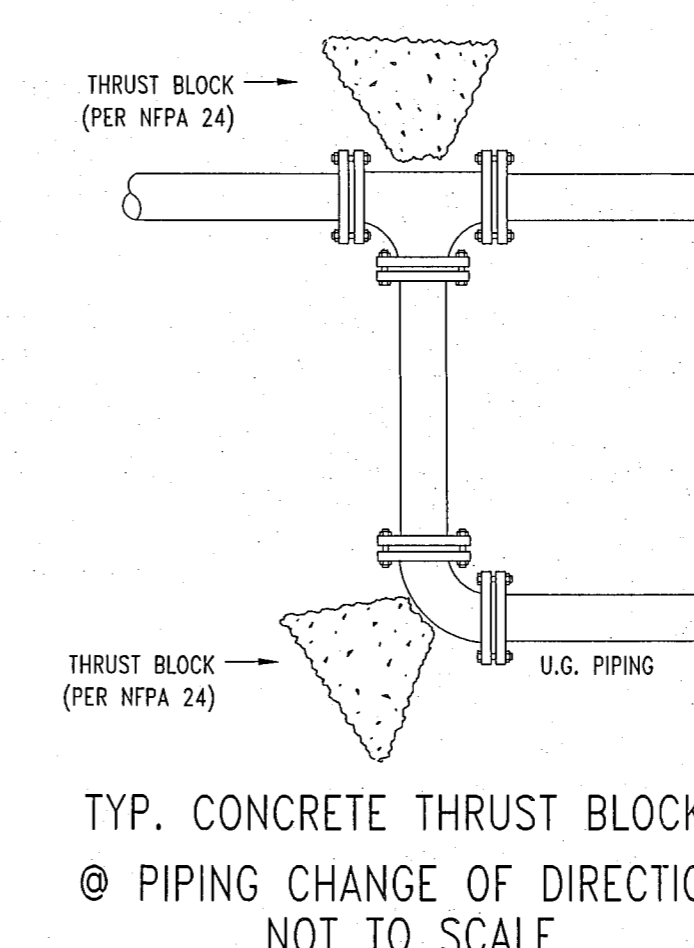
P.C.I. Construction, Inc.
 Fire Sprinkler Certification Number
 SCR-0608-U

Kevin Gerstenkom
 RME-0900-U

[Signature]
 Project Name:
 Trinity Christian Academy
 New Performing Arts Center
 17001 Addison Road
 Addison, Texas

Notes:

- 1.) All design, material, fabrication, and installation shall conform to the standards set forth in NFPA 24 and the City of Addison, Texas.
- 2.) Ductile iron pipe shall be minimum Class 51, ANSIAWWA C151/A21.51, cement lined.
- 3.) PVC pipe shall be minimum Class 200 DR-14 Conforming to AWWA C900 polyvinyl chloride pipe.
- 4.) All underground fittings shall be standard ductile iron pipe, mechanical joint fittings AWWA C110.
- 5.) All D.I. pipes and fittings shall be cleaned and poly wrapped.
- 6.) All underground fittings shall be properly restrained using thrust blocks according to sizes and details prescribed by NFPA 24.
- 7.) Underground piping shall be hydrostatically tested in accordance with NFPA 24, and witnessed by approving authorities.
- 8.) After testing and backfill, the new piping shall be thoroughly flushed until the water is clear and free debris per NFPA 24.



SUBMITTAL REVIEW	
<input type="checkbox"/> NO EXCEPTIONS TAKEN	<input type="checkbox"/> REVERSE AND RESUBMIT
<input checked="" type="checkbox"/> MAKE CORRECTIONS NOTED	<input type="checkbox"/> SUBMIT SPECIFIED ITEM
CHECKING IS ONLY FOR GENERAL CONFORMANCE WITH THE ESSENCE OF THE PROJECT AND GENERAL CONFORMANCE WITH THE INFORMATION IN THE CONTRACT DOCUMENTS. ANY ADDITIONAL REVIEW IS SUBJECT TO THE RESPONSIBILITY OF THE PLANS AND SPECIFICATIONS. CONTRACTOR IS RESPONSIBLE FOR DIMENSIONS WHICH SHALL BE INDICATED AND CONTROLLED AT THE JOB SITE. FABRICATION PROCESSES AND TECHNIQUES OF CONSTRUCTION SHALL BE THE RESPONSIBILITY OF THE CONTRACTOR AND THE CONTRACTOR SHALL BE RESPONSIBLE FOR THE SAFETY AND PERFORMANCE OF HIS WORK.	
TOWN OF ADDISON P.O. BOX 5011 - ADDISON, TX 75001 BY: <i>[Signature]</i> DATE: 1/16/2009	

DATA SYSTEMS
 UNDERGROUND LINE
 (NOT FIELD VERIFIED)