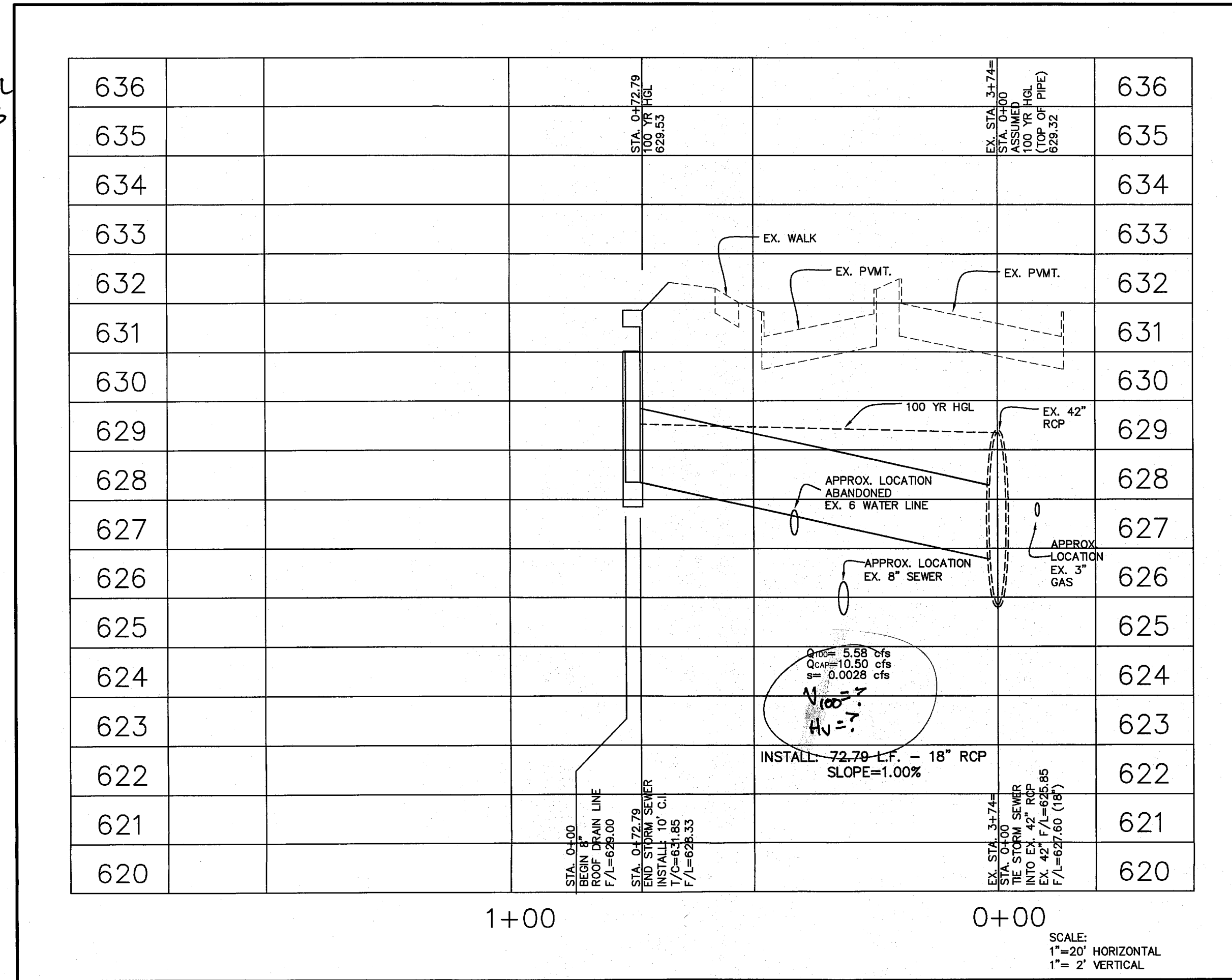


PROVIDE A DETAIL FOR THIS CROSSING.
 INDICATE AREA OF CONCRETE REMOVAL AND CALLOUT TO REPAIR FULL PANELS



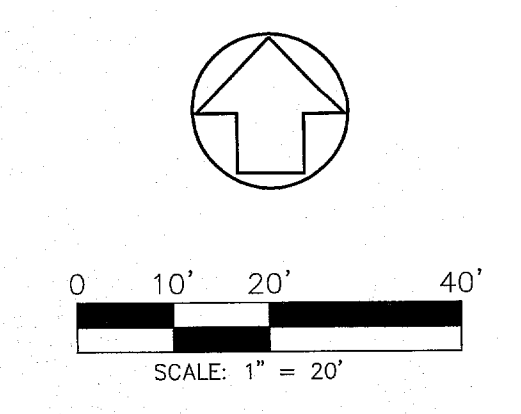
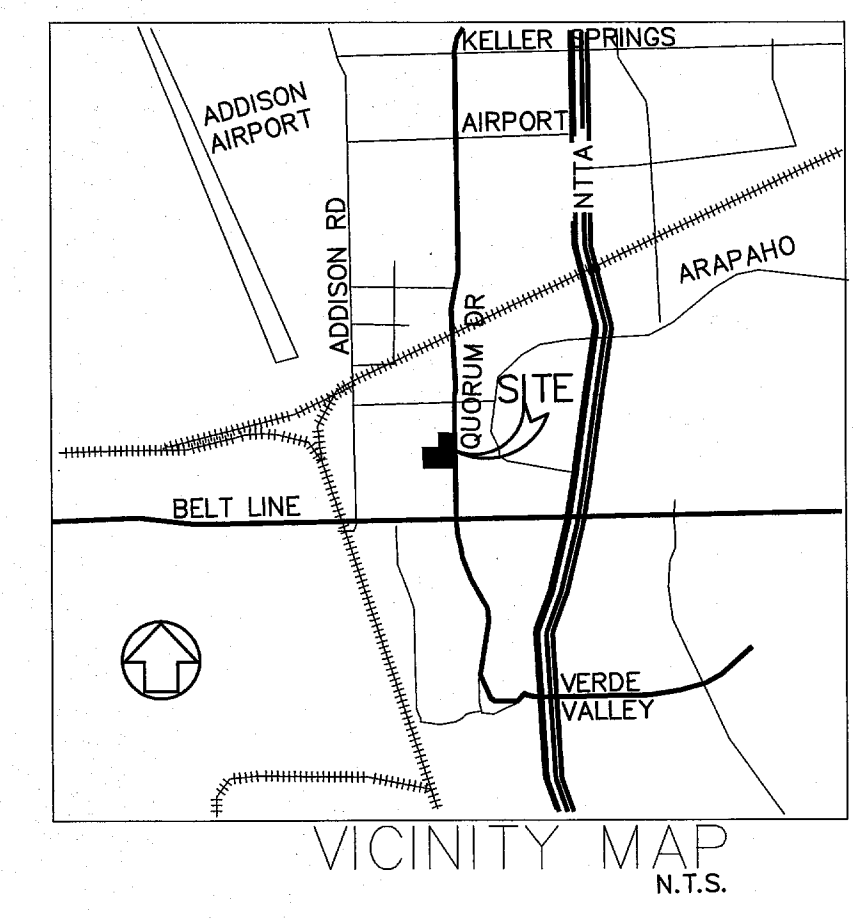
STORM SEWER PROFILE

THE UTILITIES SHOWN IN THE STORM SEWER PROFILE ARE TAKEN FROM PLANS PREPARED BY GINN ASSOCIATES DATED: 12-1983.

PRIOR TO ANY CONSTRUCTION CONTRACTOR TO CONTACT DIG TESS TO DETERMINE THE LOCATION OF ALL UTILITIES IN THE R.O.W., INCLUDING FIBER OPTICS, TELEPHONE, UNDERGROUND ELECTRIC.

NO NEW WATER AND SEWER UTILITIES ARE TO BE INSTALLED WITH THIS PROJECT.

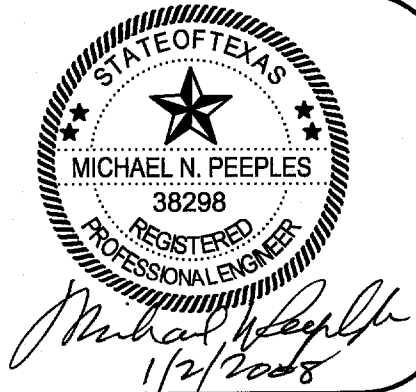
BENCHMARK NOTES:
 ALL ELEVATIONS ARE RELATIVE TO CITY OF ADDISON BENCHMARK #8 (SQUARE CUT ON INLET SE CORNER AIRPORT PKWY. & QUORUM ELEVATION 631.15).



ARTHURS RESTAURANT
QUORUM DRIVE
 ADDISON, TEXAS

TOWN OF ADDISON PUBLIC WORKS NO. 2007-014

DATE	COMMENT
01-02-2008	REFLECTS CITY COMMENTS



STORM SEWER & UTILITIES

SHEET NO.