

**GENERAL NOTES:**

ALL WORK AND MATERIALS SHALL BE IN ACCORDANCE WITH CITY STANDARDS AND SPECIFICATIONS  
 ALL CONSTRUCTION SHALL CONFORM TO THE STANDARDS AND SPECIFICATIONS OF THE NORTH CENTRAL TEXAS COUNCIL OF GOVERNMENT (COG).

1. FIRE LANES, DRIVEWAYS AND DUMPSTER PAD AT 28 DAYS SHALL HAVE A MINIMUM OF 520 LBS. CEMENT PER CUBIC PER CUBIC YARD WITH 4 TO 6% ENTRAINED AIR WITH A MIN. COMPRESSIVE STRENGTH OF 4000 psi.  
 ALL OTHER PAVING TO BE 3000 PSI CONCRETE.

2. BARS SHALL CONFORM TO A.S.T.M. DESIGNATION A-615 WITH A MAXIMUM SPACING OF 18" OCEW SIZES AND SPACING SHALL BE INDICATED HEREIN EXCEPT SUCH ALTERNATES THAT MAY BE ALLOWED IN THE SPECIFICATIONS.

3. ALL CURB AND GUTTER SHALL BE INTEGRAL WITH PAVEMENT AND SHALL BE THE SAME COMPRESSIVE STRENGTH AS PAVEMENT.  
 4. BAR LAPS SHALL BE 30 DIAMETERS.

5. THE TOP 6" OF SUBGRADE SHALL BE COMPACTED TO A MINIMUM OF 95% OF STD. PROCTOR (ASTM D-698). IN ALL AREAS WHERE LIMESTONE OR SILTY CLAY ARE EXPOSED, THE PAVEMENT SUBGRADE SHALL BE RIPPED OR SCARIFIED TO A DEPTH OF 6" TO BREAK UP LIMESTONE LEDGES AND PROVIDE A UNIFORM BEARING SURFACE. THE SOIL AND BROKEN ROCK SHOULD BE RECOMPACTED TO AT LEAST 95% OF STD. PROCTOR MIN. DRY DENSITY (ASTM D-698) AT OR WITHIN THREE PERCENTAGE POINTS OF THE MATERIALS OPTIMUM MOISTURE CONTENT.

6. ALL CONCRETE SHALL BE CURED BY THE USE OF MEMBRANE CURING COMPOUND CONFORMING TO THE REQUIREMENTS OF ASTM C-309 FOR TYPE II, WHITE PIGMENTED.

7. EXPANSION JOINT MATERIAL SHALL BE REDWOOD OR PREMOULDED ASPHALT AS SHOWN DRAWINGS AND JOINT SEALER SHALL BE HOT Poured RUBBER.

8. PORTLAND CEMENT CONCRETE AND RELATED MATERIALS SHALL CONFORM TO ITEM 2.2 OF THE COG SPECIFICATIONS UNLESS OTHERWISE NOTED.

9. PORTLAND CEMENT CONCRETE CONSTRUCTION SHALL CONFORM TO COG SPECIFICATIONS UNLESS OTHERWISE NOTED.

10. DUST CONTROL: DURING CONSTRUCTION CONTRACTOR SHALL MAINTAIN SITE IN SUCH A MANNER THAT DUST SHALL BE PREVENTED FROM BLOWING ONTO ADJACENT PROPERTIES.

11. EROSION CONTROL: DURING CONSTRUCTION, CONTRACTOR SHALL MAINTAIN SITE IN SUCH A MANNER THAT EROSION DOES NOT OCCUR CAUSING SILT TO FLOW ONTO ADJACENT PROPERTIES. CONTRACTOR SHALL SUBMIT IN WRITING PROPOSED EROSION CONTROL MEASURES.

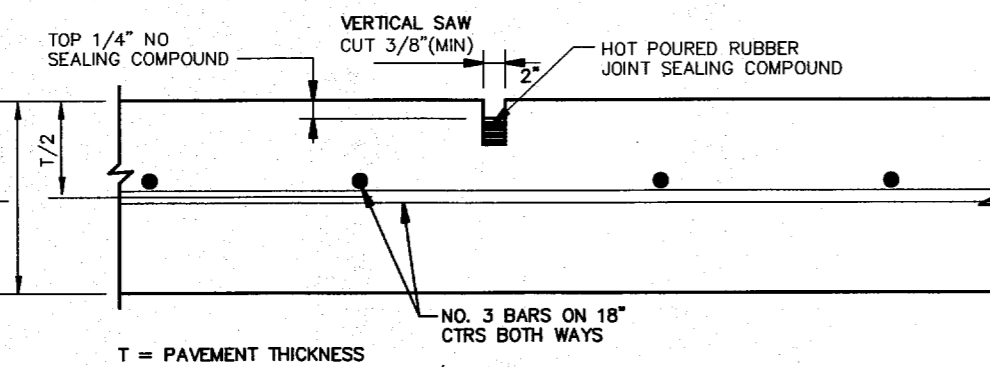
12. STORM WATERS: THE CONTRACTOR SHALL BE RESPONSIBLE FOR THE PREVENTION OF STORM WATER FLOWING FROM THE SITE DURING CONSTRUCTION BEING DIVERTED ONTO THE ADJACENT PROPERTIES IN A CONCENTRATED MANNER. IF IT IS NECESSARY DURING CONSTRUCTION TO INTERRUPT THE NATURAL DRAINAGE OF THE SURFACE, OR THE FLOW OF ARTIFICIAL DRAINS, THE CONTRACTOR SHALL PROVIDE TEMPORARY DRAINAGE FACILITIES THAT SHALL PREVENT DAMAGE TO PUBLIC OR PRIVATE FACILITIES; AND SHALL RESTORE THE ORIGINAL DRAINS AS SOON AS THE WORK IS COMPLETED.

13. ALL DISTURBED AREAS SHALL BE HYDROMULCHED AND MAINTAINED UNTIL 80% GROWTH UNLESS OTHERWISE INDICATED ON THE PLANS.

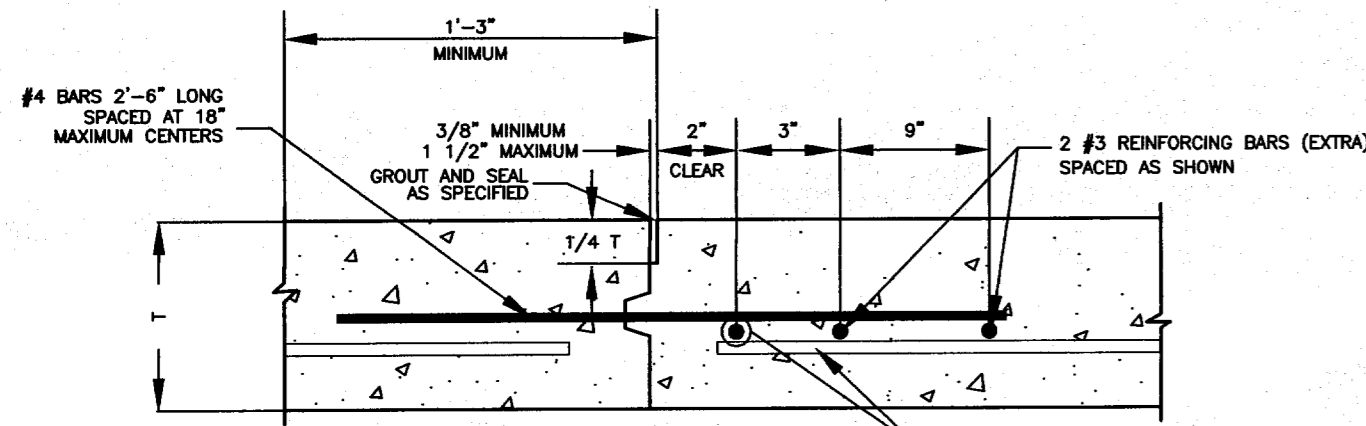
14. ALL AVAILABLE DATA WAS USED TO LOCATE EXISTING UTILITIES AS SHOWN ON THESE PLANS. HOWEVER, THE CONTRACTOR SHALL VERIFY THE LOCATION, DEPTH ALIGNMENT, AND SIZE OF ALL UTILITIES PRIOR TO THE START OF CONSTRUCTION.

**GENERAL NOTES:**

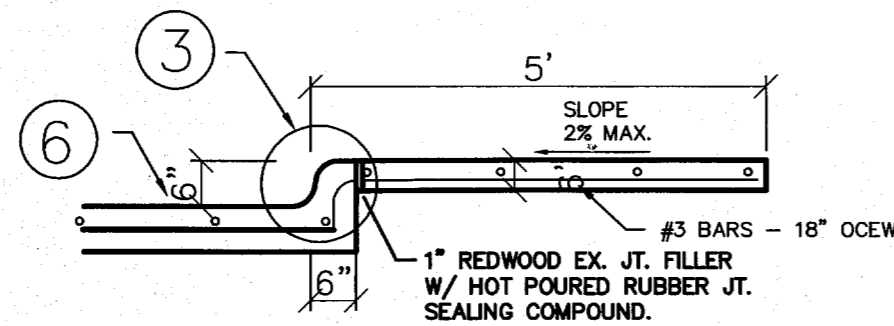
- ALL #4 x 2'-6" BARS ARE TO BE SET IN DRILLED HOLES USING EPOXY GROUT IN THE MANUFACTURER'S RECOMMEND QUANTITIES.
- ALL REINFORCING BARS SHALL HAVE WIRE TIES AT EVERY INTERSECTION (100% TIE).
- WHERE NEW CONCRETE IS TO BE POURED AGAINST OLD CONCRETE, THE OLD CONCRETE SHALL HAVE A COAT OF EPOXY BONDING AGENT APPLIED AT THE MANUFACTURER'S SPECIFIED RATES.



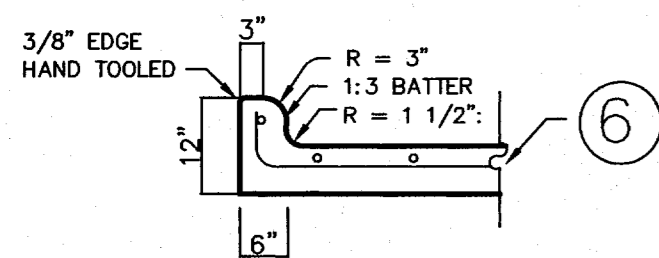
**1 SAWED DUMMY JOINT DETAIL (CONTRACTION JOINT)**  
 N.T.S.



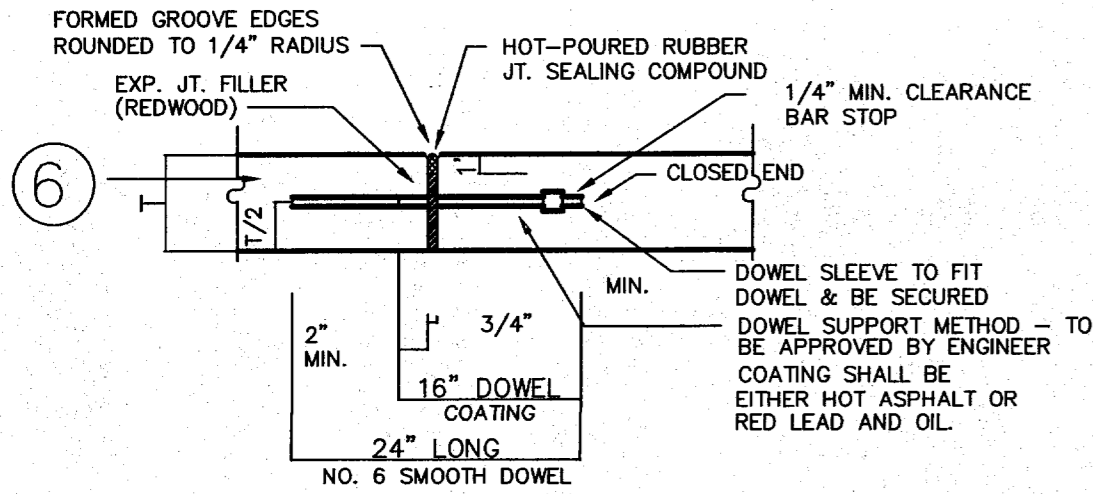
**2 CONSTRUCTION JOINT**  
 N.T.S.



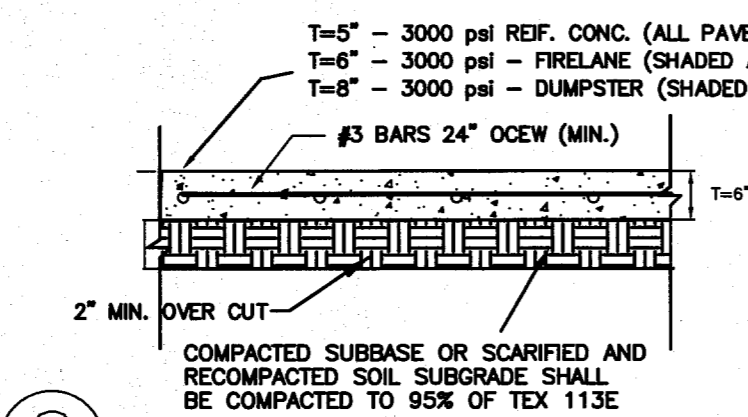
**5 SIDEWALK DETAIL**



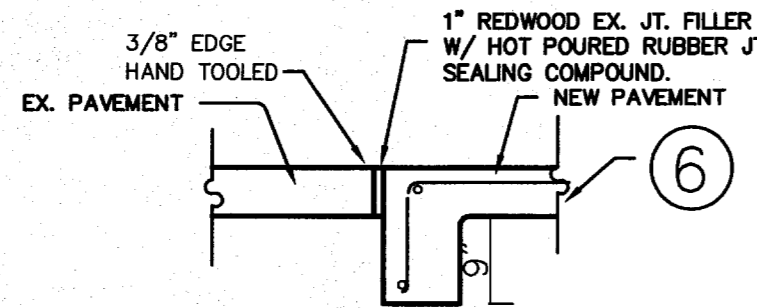
**3 INTEGRAL CURB & GUTTER DETAILS**



**4 TRANSVERSE EXPANSION JOINT DETAIL**

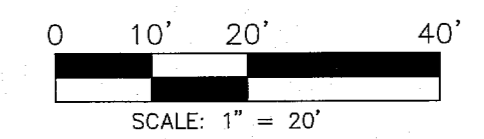
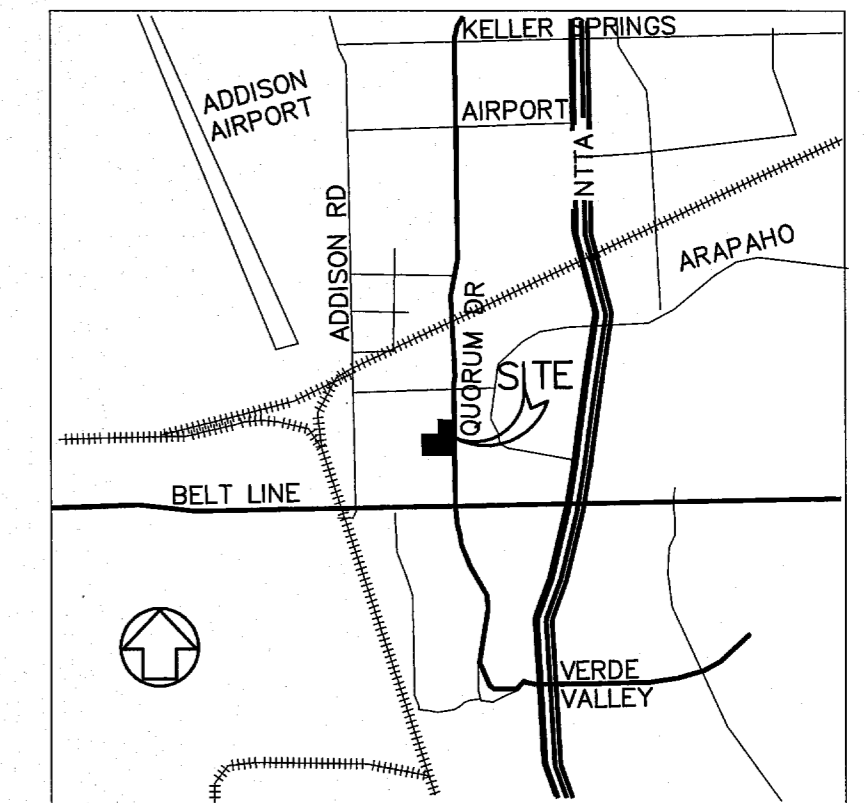
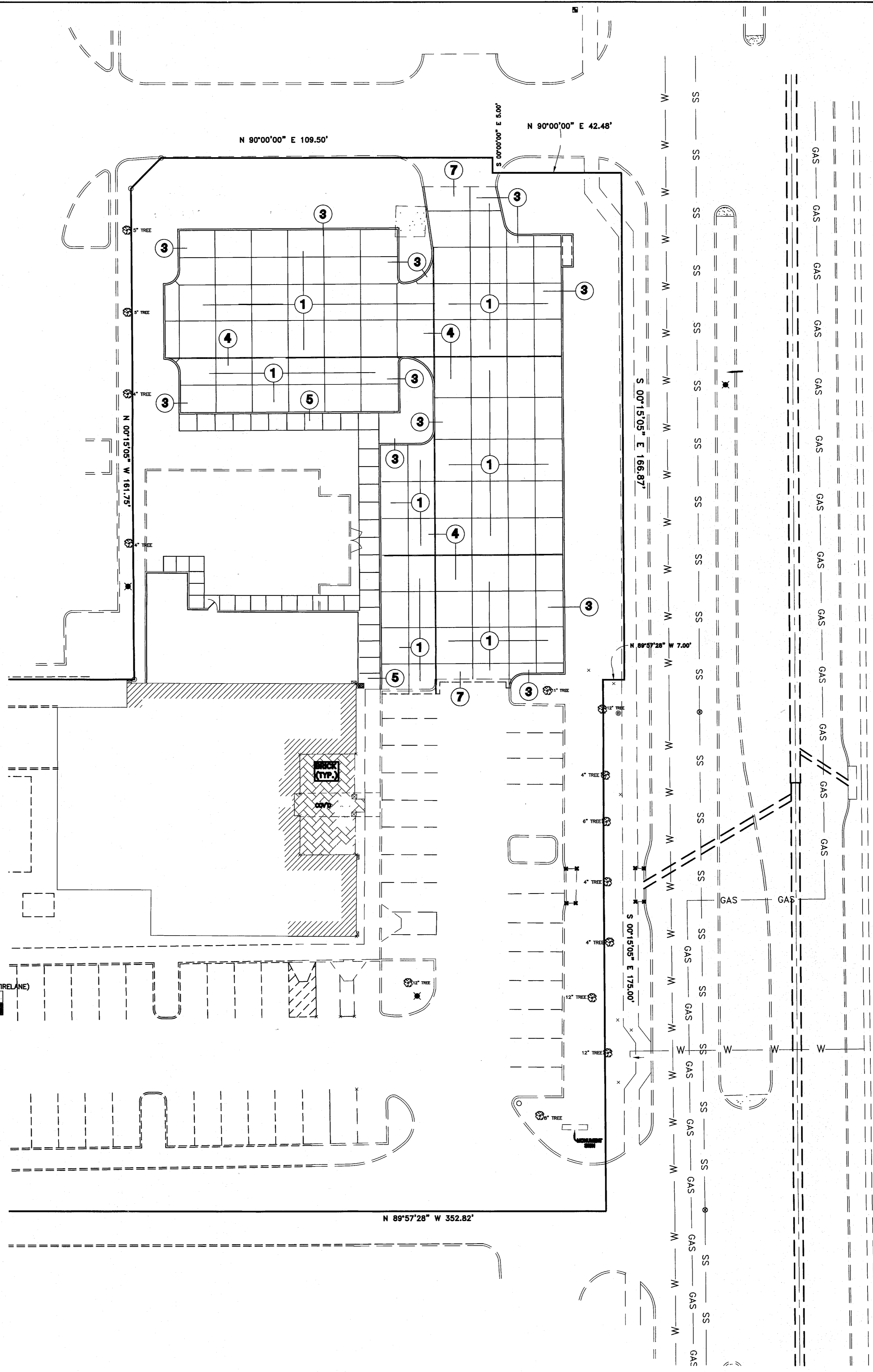


**6 CONCRETE PAVEMENT DESIGN 6/CE-3**  
 N.T.S.



PAVEMENT BARS TO BE BENT DOWN INTO HEADER AND PAVEMENT TO BE MONOLITHIC.

**7 HEADER DETAIL**

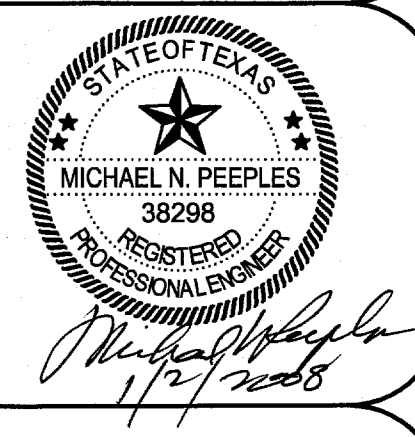


**MICHAEL PEEPLES**  
 Engineers and Planners  
 (214) 731-9948 (214) 731-9949 (FAX)  
 1930 E. ROSEMEADE PKWY., #207 CARROLLTON, TX 75007

**ARTHURS RESTAURANT**  
**QUORUM DRIVE**  
 ADDISON, TEXAS

TOWN OF ADDISON PUBLIC WORKS NO. 2007-014

DATE	COMMENT
01-02-2008	REFLECTS CITY COMMENTS



**PAVING**

SHEET NO.  
**CE-4**