

- GENERAL INSTALLATION NOTES:**
1. WATER METER SHALL BE PLACED IN CENTER OF LOT WITH THE SANITARY SEWER SERVICE TO BE LOCATED 10' DOWNSTREAM.
  2. METER AND BOX SHALL BE SET BY THE CONTRACTOR TO ADDISON STANDARDS IN ALL CASES.
  3. THE METER BOX SHALL BE SET WITHIN THE R.O.W. OR A DEDICATED UTILITY EASEMENT. IN ALL CASES, THE METER BOX SHALL BE PROTECTED FROM VEHICULAR TRAFFIC.
  4. WATER SERVICES SHALL NOT BE CONNECTED TO DEAD END LINES OR FIRE HYDRANT LEADS.
  5. ALL MATERIALS SHALL CONFORM TO THE TOWN OF ADDISON WATER SYSTEM REQUIREMENTS.

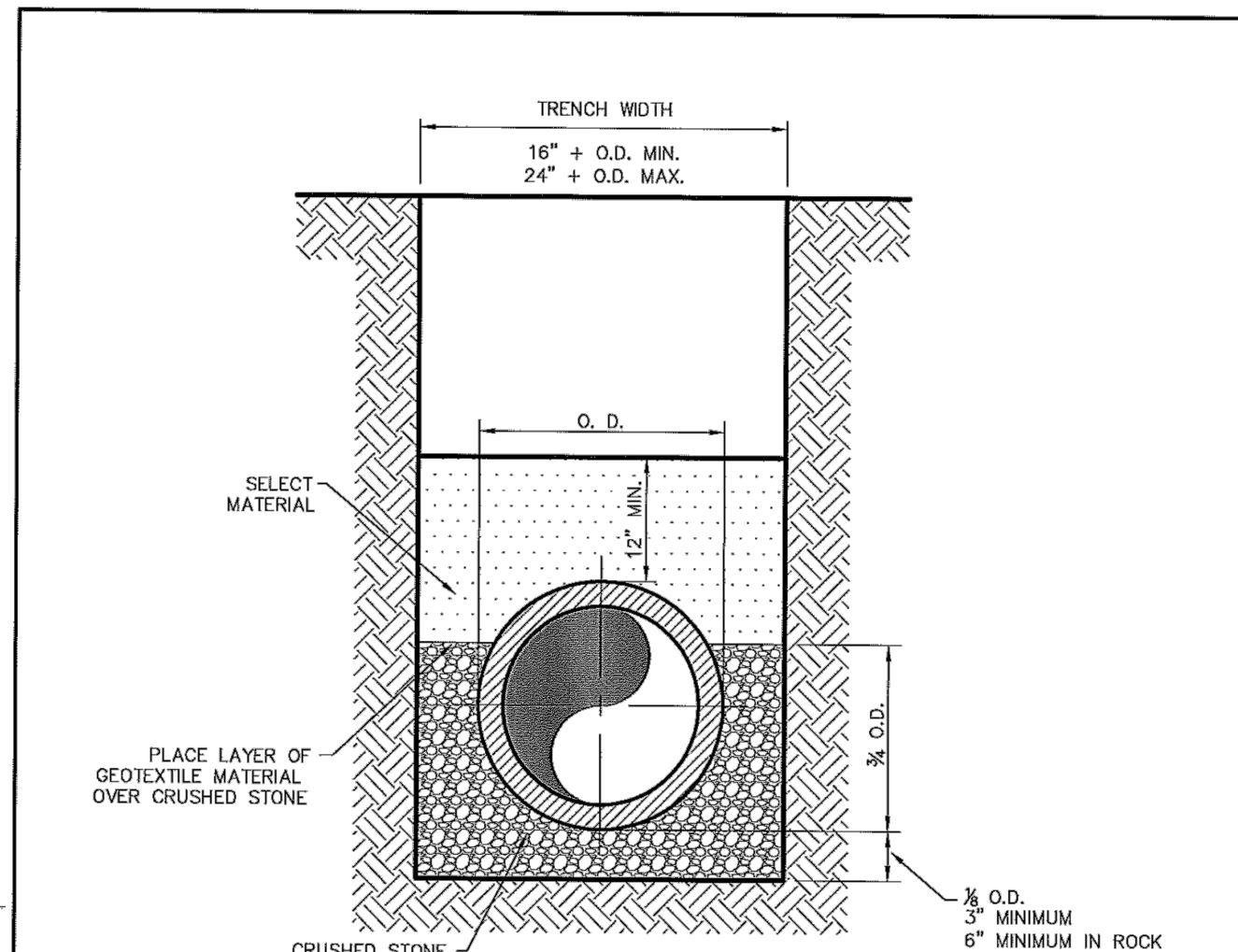
Type "K" Copper Service Pipe	Double Strap Bronze Service Saddle with C.C. Threads	East Jordan Iron Works Galvanized Meter Box With Iron Ring & Cover	
		Min. Dia.	Min. Total Weight
3/4 inch	3/4 inch	18 inches	12 1/2 inches
1 inch	1 inch	24 inches	20 1/2 inches
1 1/2 inch	1 1/2 inch	28 inches	20 1/2 inches
2 inch	2 inch	28 inches	20 1/2 inches

**ADDISON!**

**SERVICE CONNECTION WITH METER BOX**

STANDARD CONSTRUCTION DETAILS WATER

DATE: AUGUST, 2010 REV. DATE: SHEET: SD-W20



**CLASS "B+" EMBEDMENT**

CRUSHED STONE SHALL BE 3/4", PASSING # 4 SIEVE

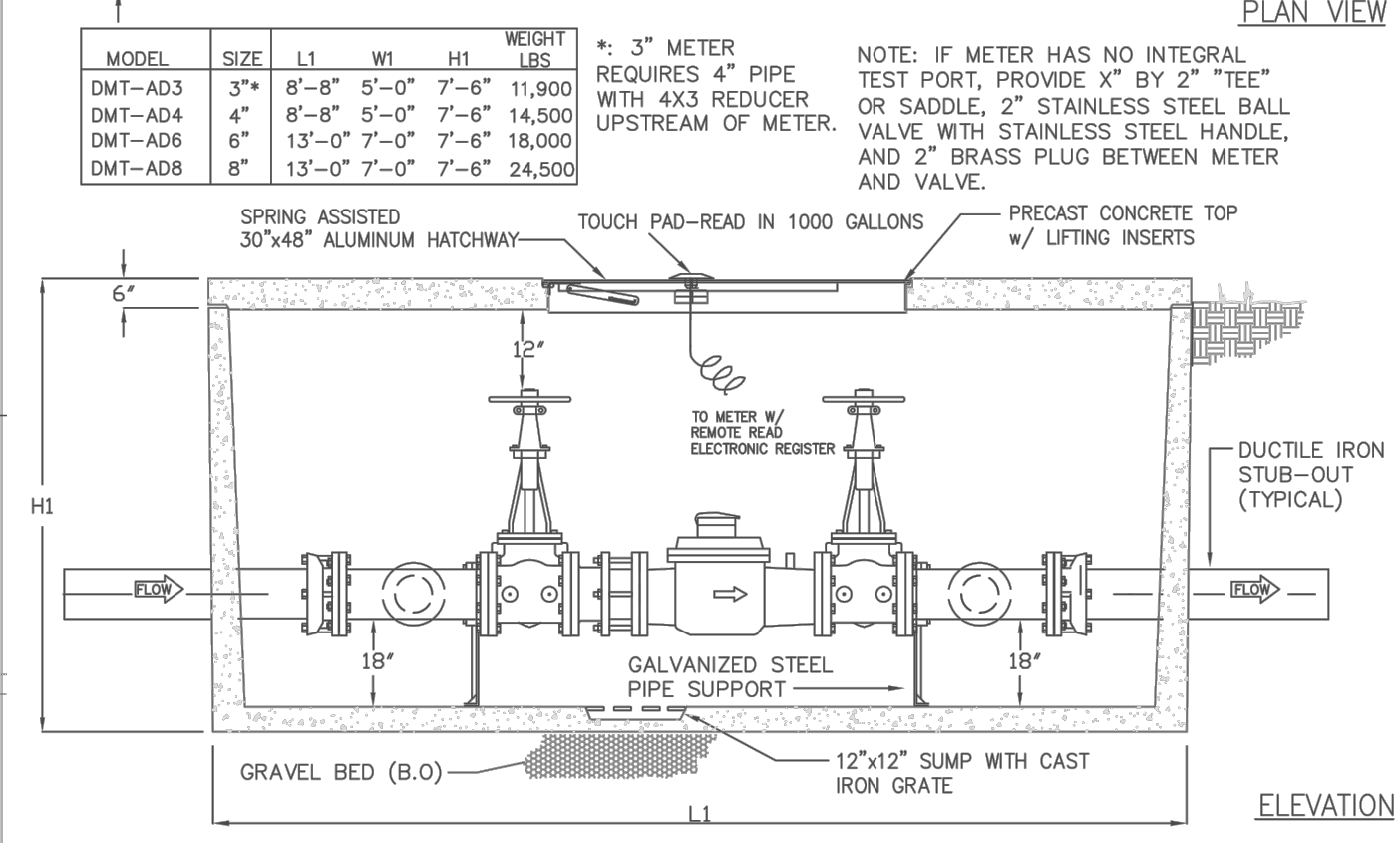
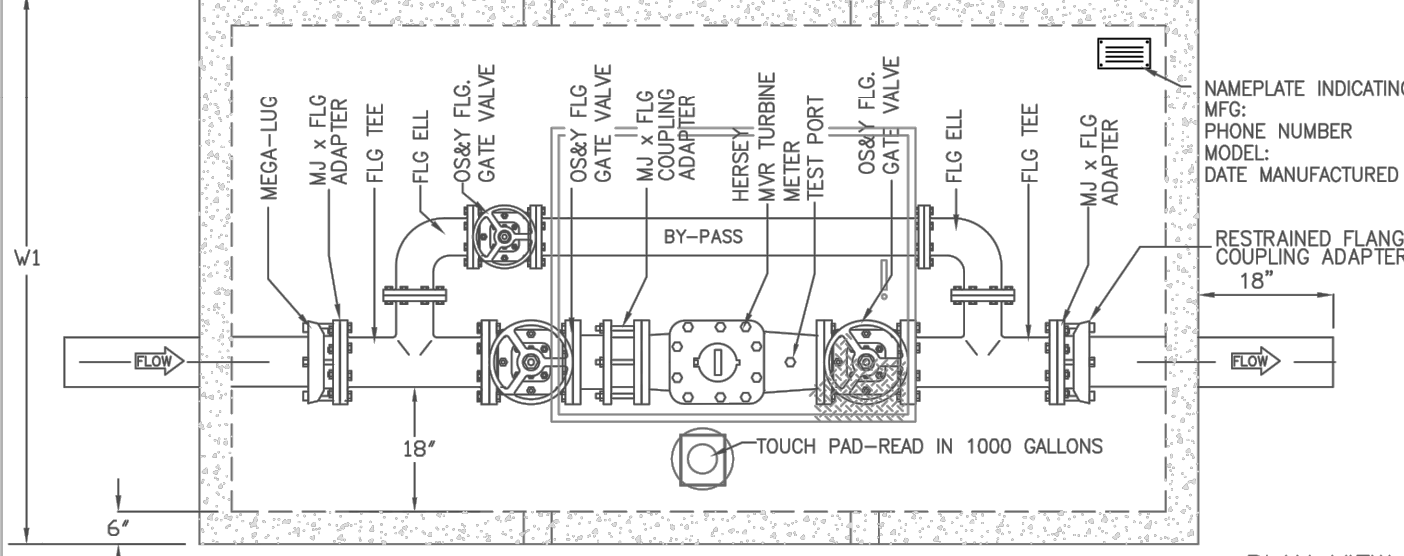
**TYPICAL P.V.C. WATER MAIN EMBEDMENT**

**ADDISON!**

**P.V.C. WATER MAIN EMBEDMENT**

STANDARD CONSTRUCTION DETAILS WATER

DATE: AUGUST, 2010 REV. DATE: SHEET: SD-W01



- NOTES:**
1. ALL CONCRETE SHALL BE CLASS 1 CONCRETE WITH DESIGN STRENGTH OF 4500 PSI AT 28 DAYS. UNITS ARE OF MONOLITHIC CONSTRUCTION AT FLOOR AND FIRST STAGE OF WALL WITH SECTIONAL RISER TO REQUIRED DEPTH.
  2. ALL REINFORCEMENT SHALL BE GRADE 60 REINFORCED STEEL REBAR CONFORMING TO ASTM A615 ON REQUIRED CENTERS OR EQUAL.
  3. ALL HATCHWAYS SHALL BE 1/2" ALUMINUM DIAMOND PLATE COVER, WITH 1/2" EXTRUDED ALUMINUM FRAME. HATCH TO BE FURNISHED WITH 316 STAINLESS STEEL SNAP LOCK AND HINGES.
  4. THE METER ASSEMBLY SHALL BE FACTORY ASSEMBLED IN VAULT AND HYDROSTATICALLY TESTED PRIOR TO DELIVERY. PIPE, VALVES AND FITTINGS OF THE ASSEMBLY SHALL BE IN ACCORDANCE WITH THE TOWN OF ADDISON WATER SYSTEM REQUIREMENTS.

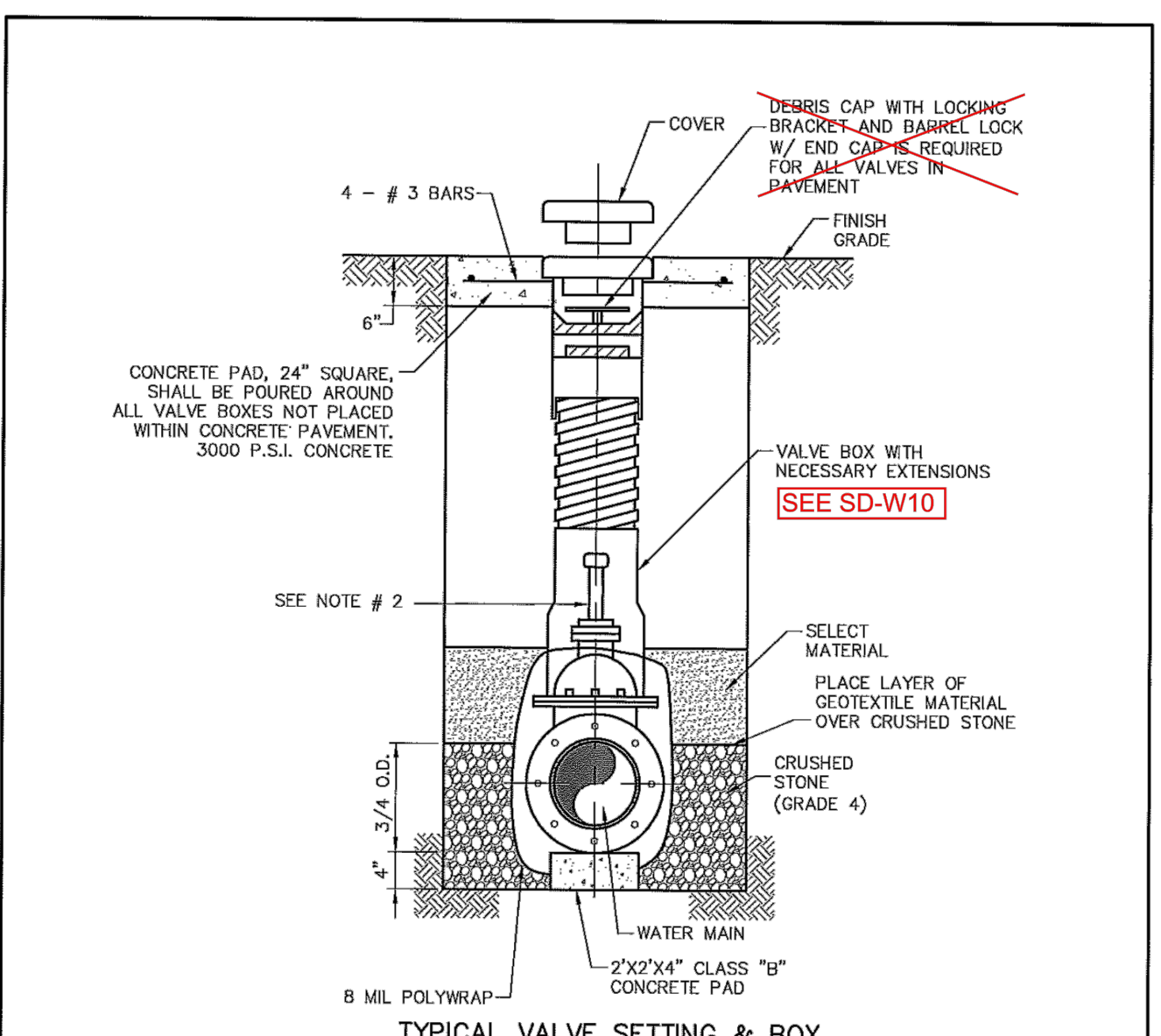
**ADDISON!**

**INFRASTRUCTURE DEPARTMENT**

**TURBINE WATER METER ASSEMBLY (DOMESTIC)**

STANDARD CONSTRUCTION DETAILS WATER

DATE: AUGUST, 2009 LAST REV. DATE: MAY 2016 SHEET: SD-W01



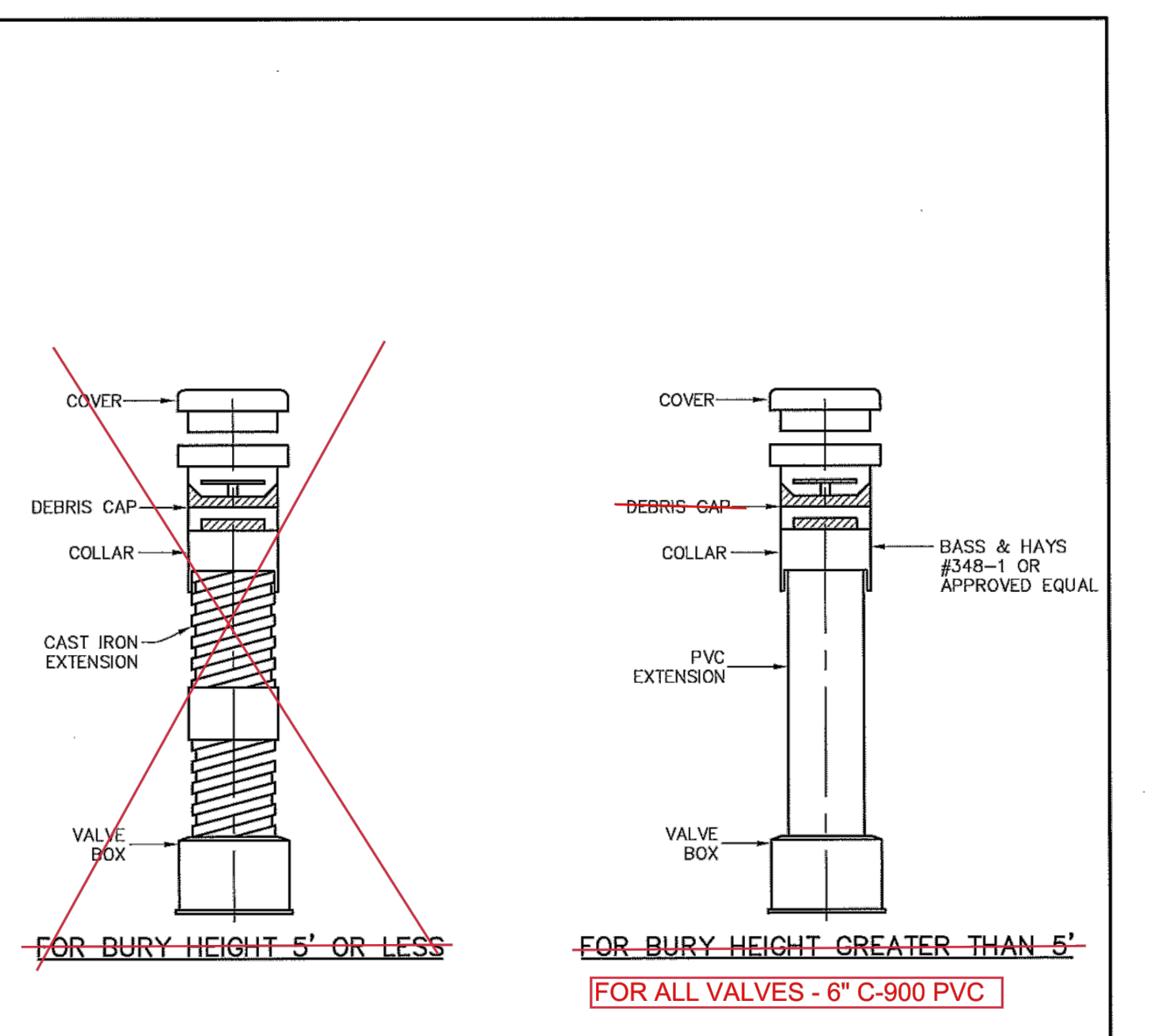
- NOTE:**
1. 4"-12" R.S. GATE VALVES SHALL BE IN ACCORDANCE WITH TOWN OF ADDISON WATER SYSTEM REQUIREMENTS.
  2. A PERMANENTLY ATTACHED VALVE EXTENSION STEM SHALL BE REQUIRED FOR ANY VALVE WHERE THE OPERATING NUT IS LOCATED IN EXCESS OF 5 FEET BELOW THE TOP OF VALVE BOX. THIS EXTENSION SHALL BE OF SUFFICIENT LENGTH TO INSURE THAT ITS TOP IS WITHIN 5 FEET OF VALVE BOX LID.
  3. BLUE 1/4" (3") CUT INTO FACE OF NEAREST CURB AND POINTING TOWARD THE VALVE.
  4. ALL IRON MATERIALS SHALL BE DOMESTIC, (MADE IN USA).
  5. CRUSHED STONE SHALL BE 3/4", PASSING #4 SIEVE.

**ADDISON!**

**VALVE SETTING BOX**

STANDARD CONSTRUCTION DETAILS WATER

DATE: AUGUST, 2010 REV. DATE: 04/06/17 SHEET: SD-W09



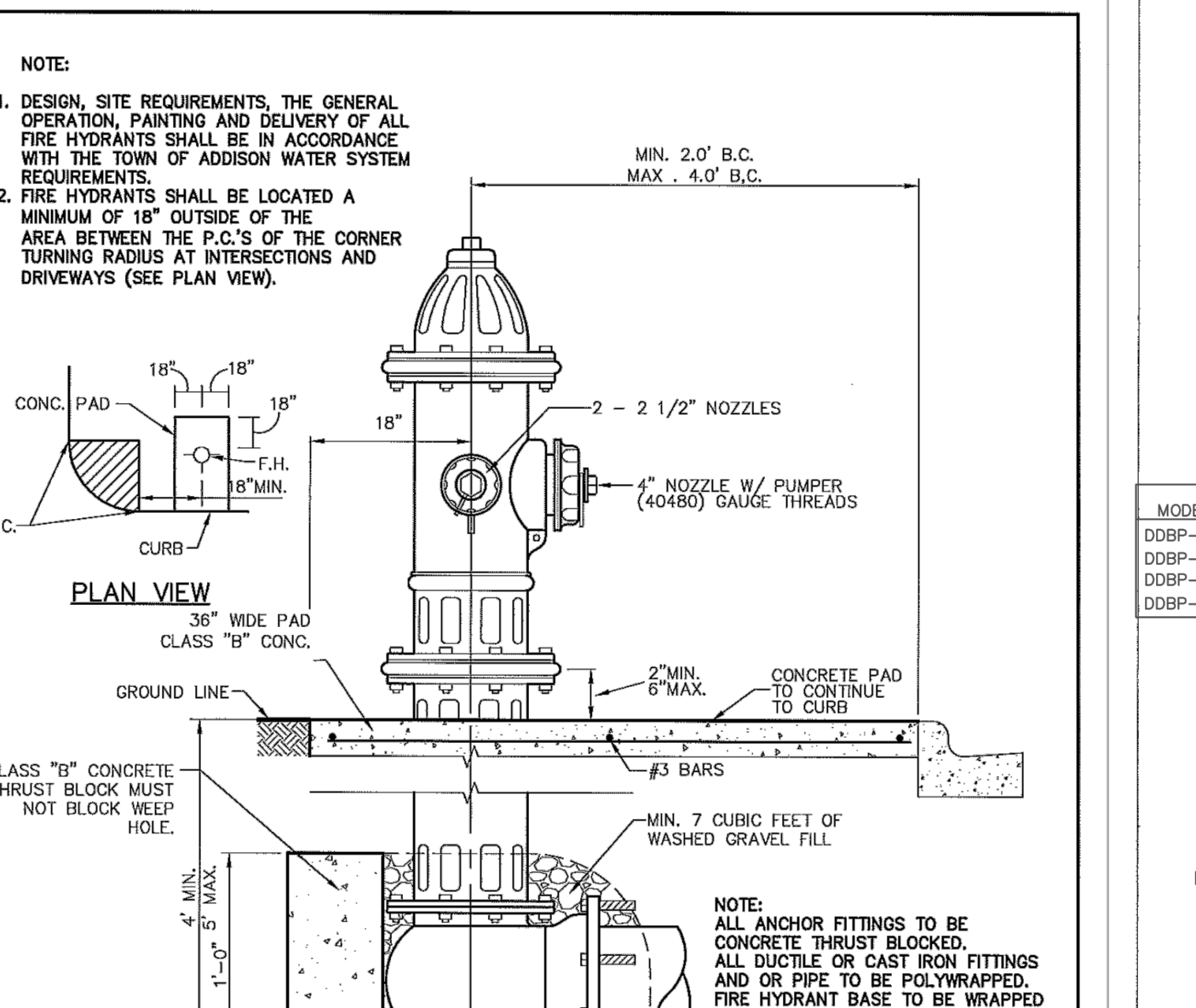
- NOTE:**
1. ALL CAST IRON FITTINGS SHALL BE DOMESTIC, (MADE IN U.S.A.)
  2. VALVE BOXES SHALL BE PROVIDED FOR BURIED VALVES. THESE BOXES SHALL BE THREE (3) PIECE SCREW TYPE - CAST IRON OR THE EXTENSION TYPE AND SHALL BE - BASS & HAYS THREE (3) PIECE - ADJUSTABLE - SCREW TYPE - EAST JORDAN IRON WORKS 8500 W/ 6800 LID - MUELLER NO. 11-16360 OR APPROVED EQUAL - THE THREE (3) PIECES SHALL CONSIST OF THE TOP SECTION, BOTTOM SECTION AND COVER.

**ADDISON!**

**VALVE BOX WITH EXTENSION**

STANDARD CONSTRUCTION DETAILS WATER

DATE: AUGUST, 2010 REV. DATE: JANUARY 2017 SHEET: SD-W10



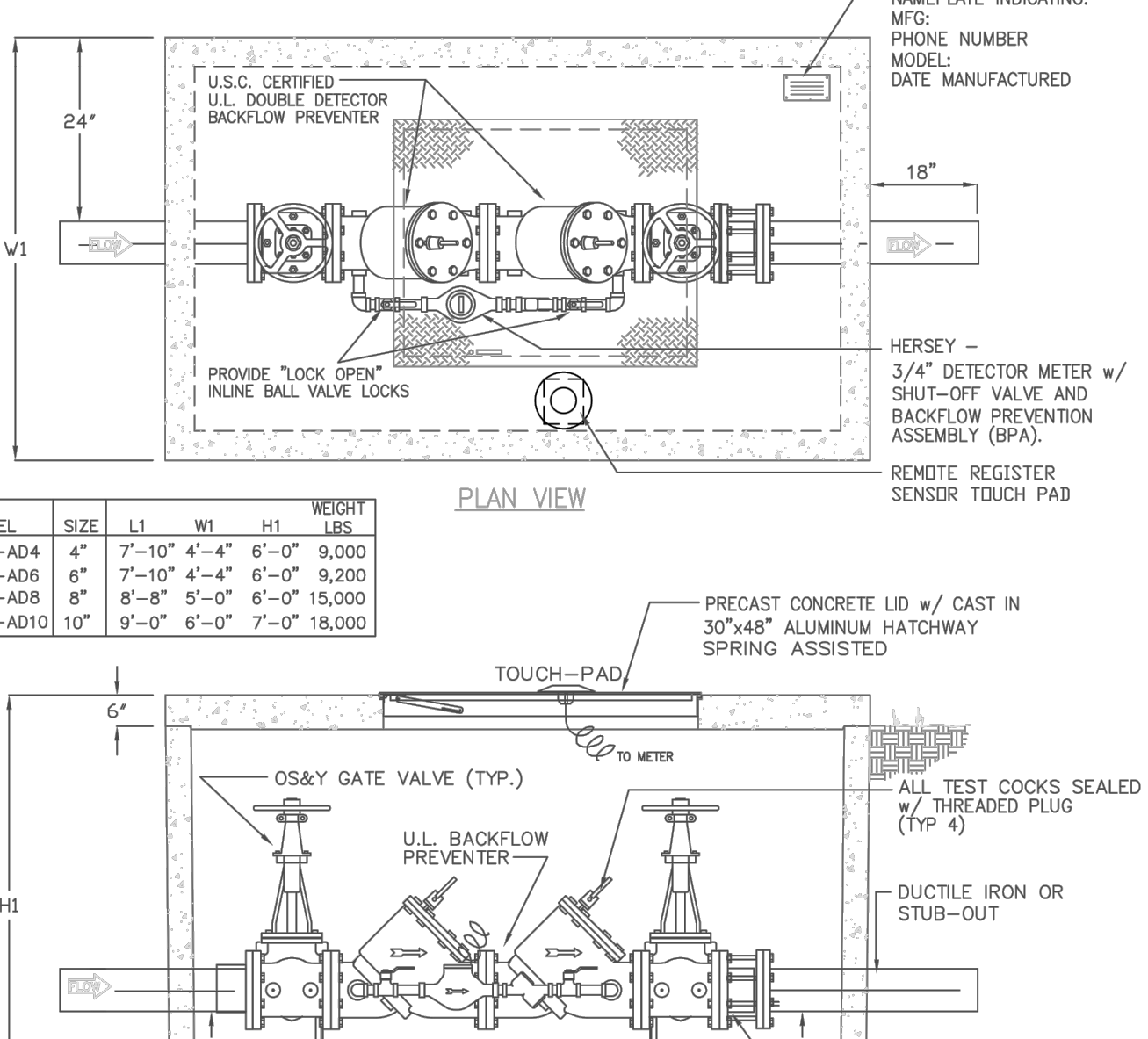
**TYPICAL FIRE HYDRANT INSTALLATION**

**ADDISON!**

**TYPICAL FIRE HYDRANT INSTALLATION**

STANDARD CONSTRUCTION DETAILS WATER

DATE: AUGUST, 2010 REV. DATE: SHEET: SD-W08



- NOTES:**
1. ALL CONCRETE SHALL BE CLASS 1 CONCRETE WITH DESIGN STRENGTH OF 4500 PSI AT 28 DAYS. UNITS ARE OF MONOLITHIC CONSTRUCTION AT FLOOR AND FIRST STAGE OF WALL WITH SECTIONAL RISER TO REQUIRED DEPTH.
  2. ALL REINFORCEMENT SHALL BE GRADE 60 REINFORCED STEEL REBAR CONFORMING TO ASTM A615 ON REQUIRED CENTERS OR EQUAL.
  3. ALL HATCHWAYS SHALL BE 1/2" ALUMINUM DIAMOND PLATE COVER, WITH 1/2" EXTRUDED ALUMINUM FRAME. HATCH TO BE FURNISHED WITH 316 STAINLESS STEEL SNAP LOCK AND HINGES.
  4. THE BACKFLOW ASSEMBLY SHALL BE FACTORY ASSEMBLED IN VAULT AND HYDROSTATICALLY TESTED PRIOR TO DELIVERY. PIPE, VALVES AND FITTINGS OF THE ASSEMBLY SHALL BE IN ACCORDANCE WITH THE TOWN OF ADDISON WATER SYSTEM REQUIREMENTS.

**ADDISON!**

**INFRASTRUCTURE DEPARTMENT**

**DOUBLE CHECK DETECTOR ASSEMBLY**

STANDARD CONSTRUCTION DETAILS WATER

DATE: AUGUST, 2009 LAST REV. DATE: MAY 2016 SHEET: SD-W22

Revision	By	Appd.	YY/MM/DD