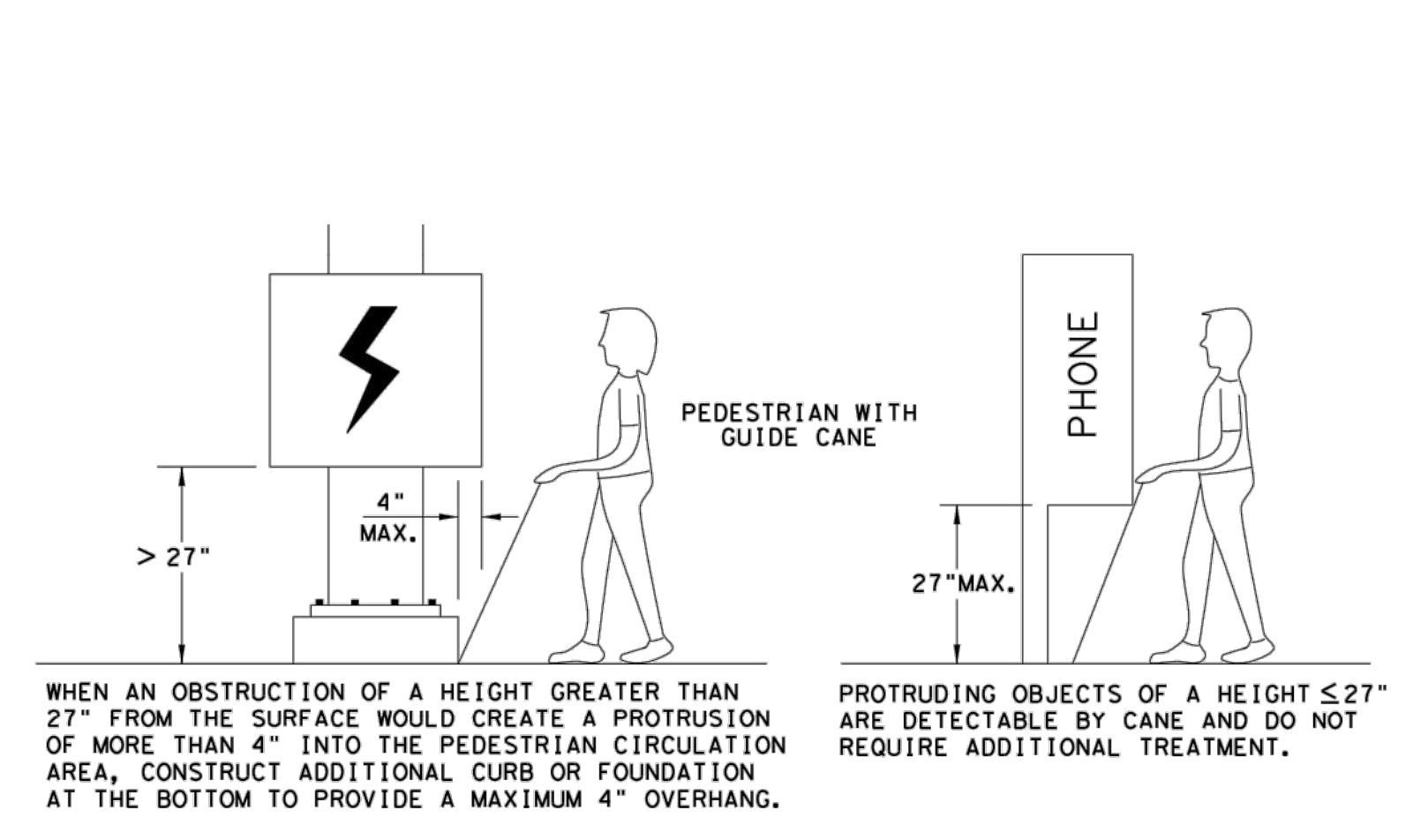
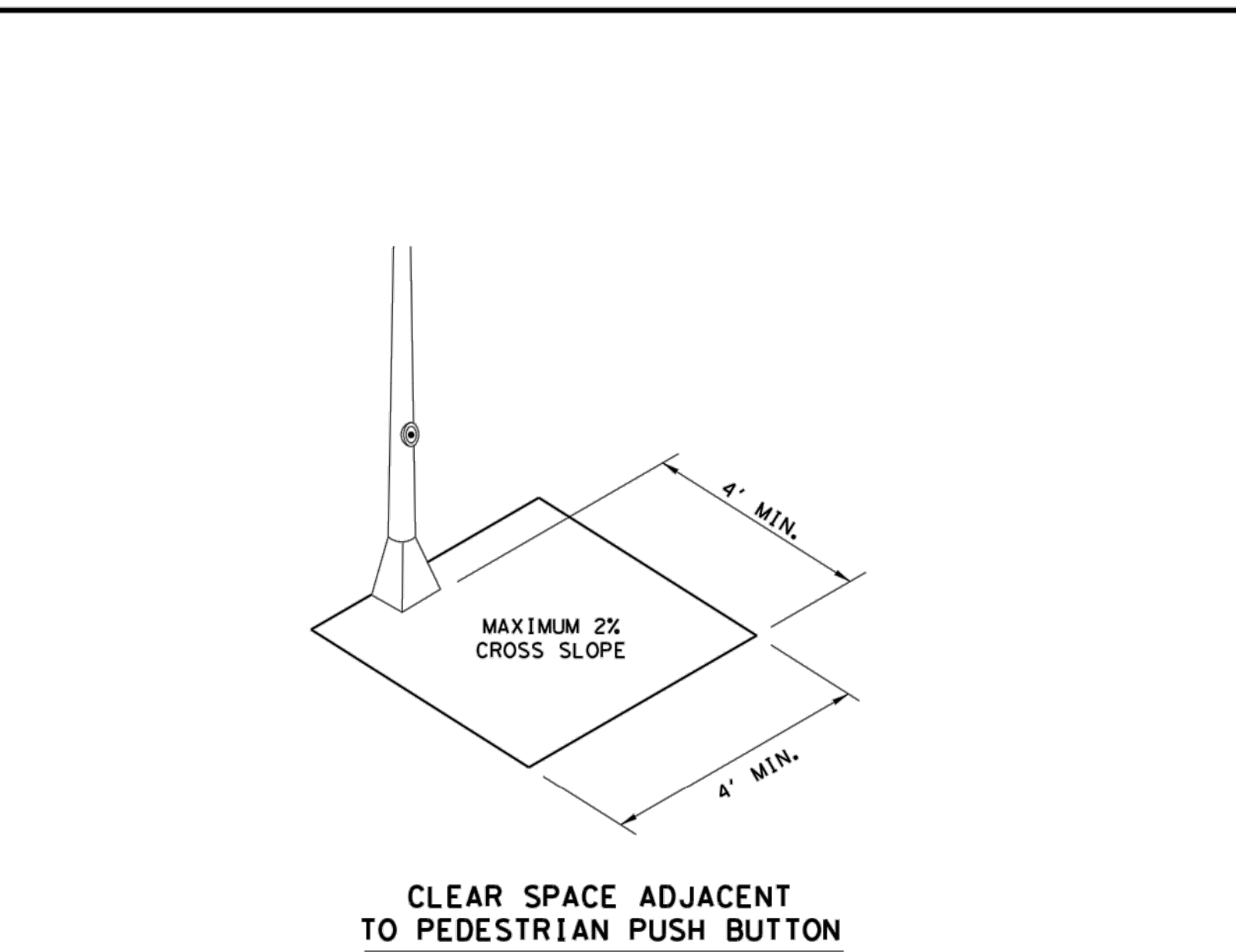
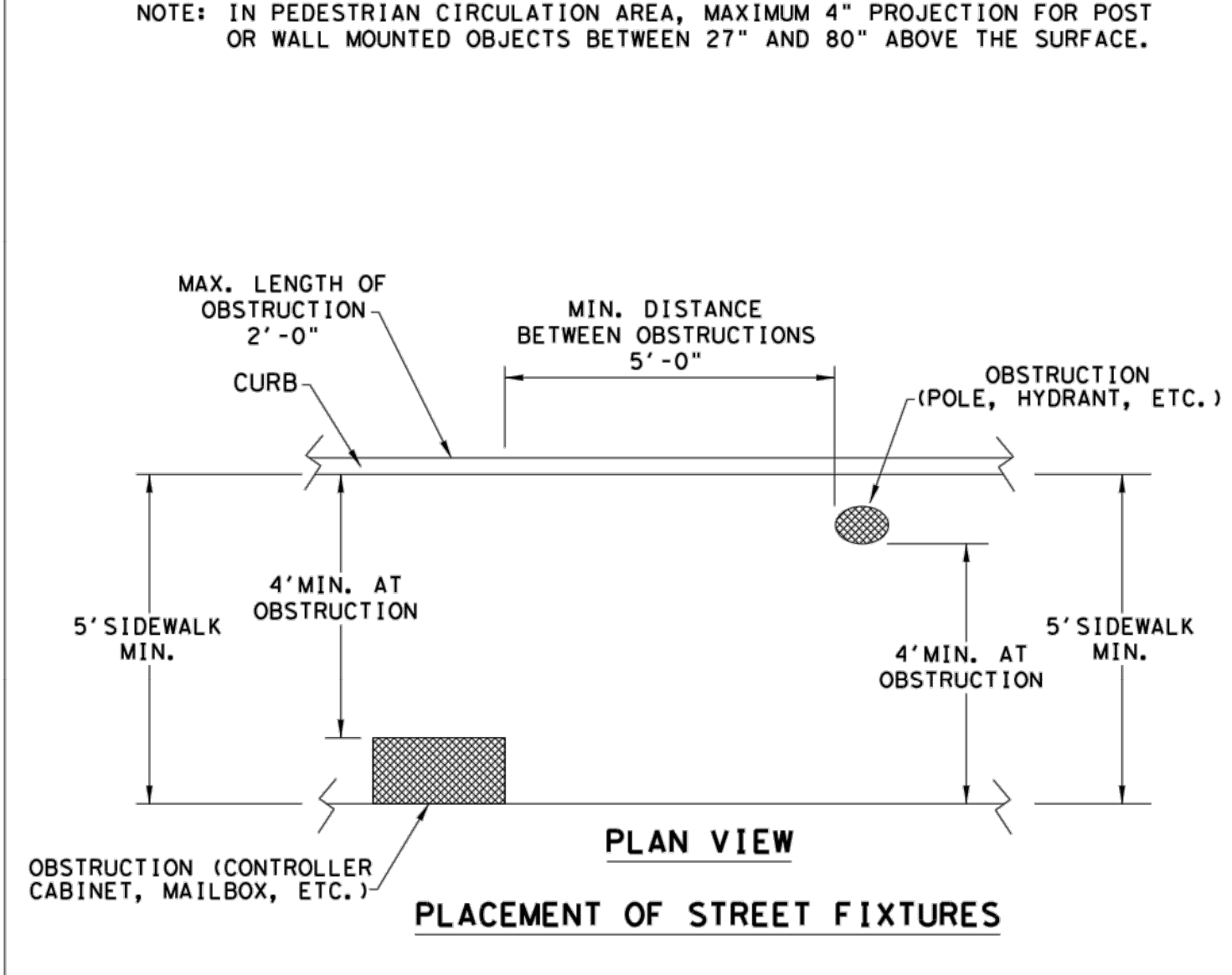
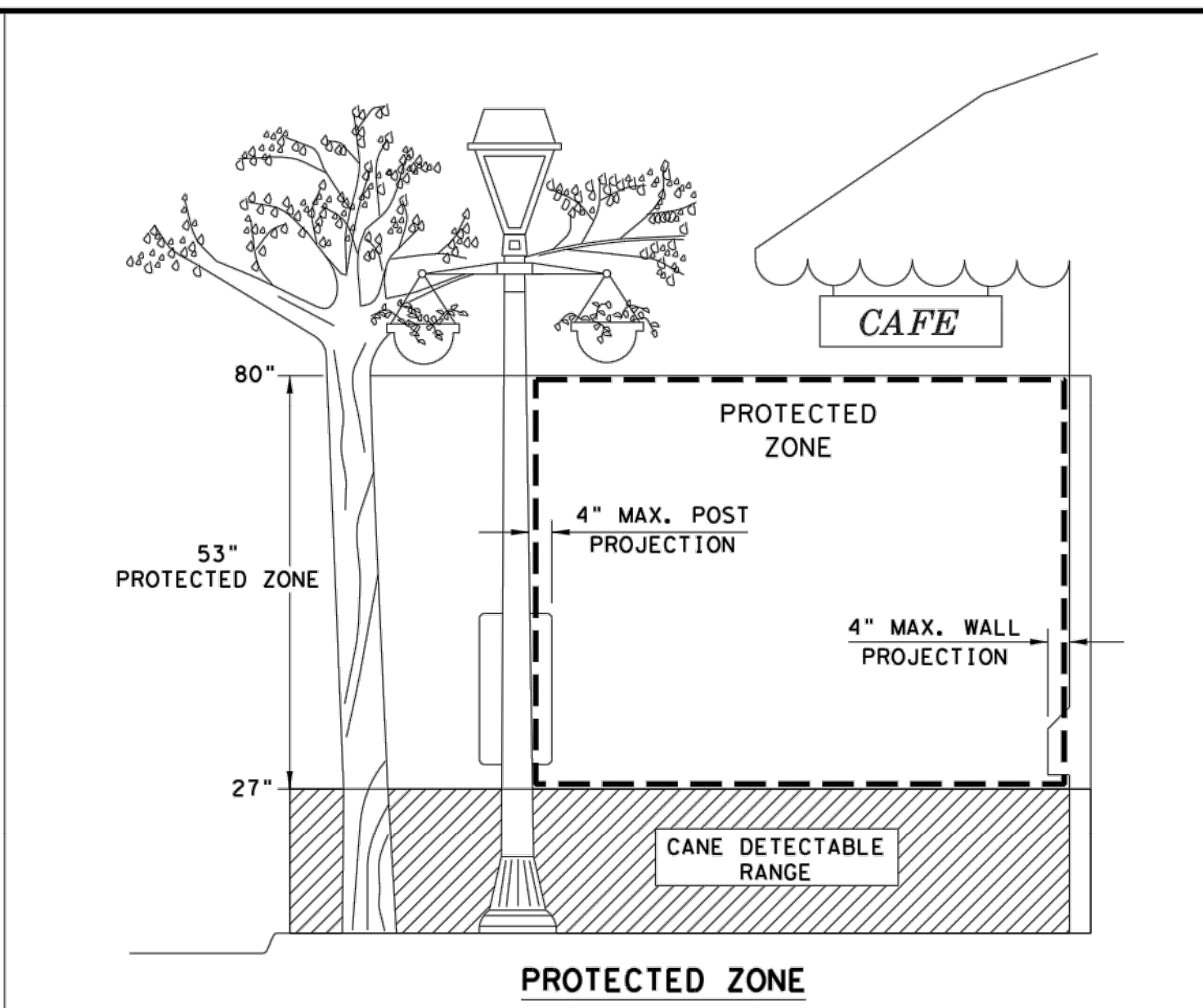
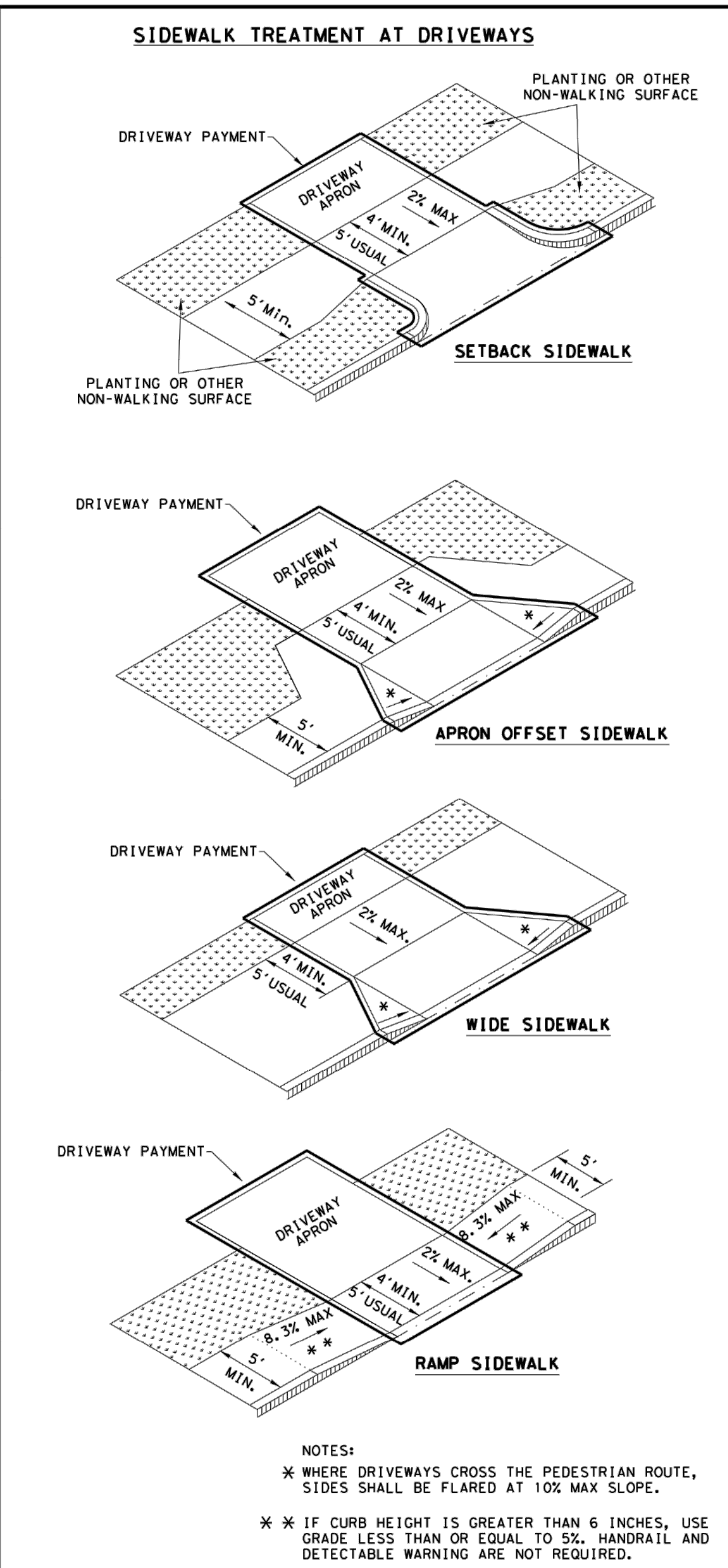


V:\2020\active\22011532\civil\phase\_01\drawing\sheet\11532\_c2\_001\_px.dwg  
2019/07/26 2:58 PM RYF:RAC:bc, vldg

ORIGINAL SHEET - AN9 0

DISCLAIMER:  
This work of this standard is governed by the "Texas Engineering Practice Act". No warranty of any kind is made by TxDOT for any purpose whatsoever. TxDOT assumes no responsibility for the conversion of this standard to other formats or for incorrect results or damages resulting from its use.

DATE:  
FILE:



SHEET 3 OF 4

Texas Department of Transportation

**PEDESTRIAN FACILITIES**

**CURB RAMPS**

**PED-18**

Design Division Standard

FILE: ped18	DN: TxDOT	DN: VP	CR: KM	CR: PK & JG
© TxDOT: MARCH, 2002	CONT	SECT	JOB	HIGHWAY
REVISED 08, 2005	REVISIONS			
REVISED 06, 2012	DIST	COUNTY	SHEET NO.	
REVISED 01, 2018				


Revision: By: YY.MM.DD  
By: YY.MM.DD

Issued: By: YY.MM.DD

Client/Project: **CRAWLEY PARTNERS**  
**CRAWLEY - FOURTEEN555 PHASE 2**  
14555 DALLAS PARKWAY  
TOWN OF ADDISON, DALLAS COUNTY, TEXAS

Title: **TxDOT PED-18 (3)**

Permit-Seal:      

**PRELIMINARY**

FOR REVIEW ONLY  
Not for Construction or Permit Purposes

Engineer: **JOSHUA A. MILLSAP**  
P.E. No. 100118      Date: 02/12/2019

Project Number: 222011532  
File Name: 11532\_c2\_001\_px.dwg

RR	JM	JM	19.02.12
Dwn.	Chkd.	Dsgn.	YY.MM.DD
Drawing No. <b>C6.6</b>		Revision Sheet	
-----		C6.6	