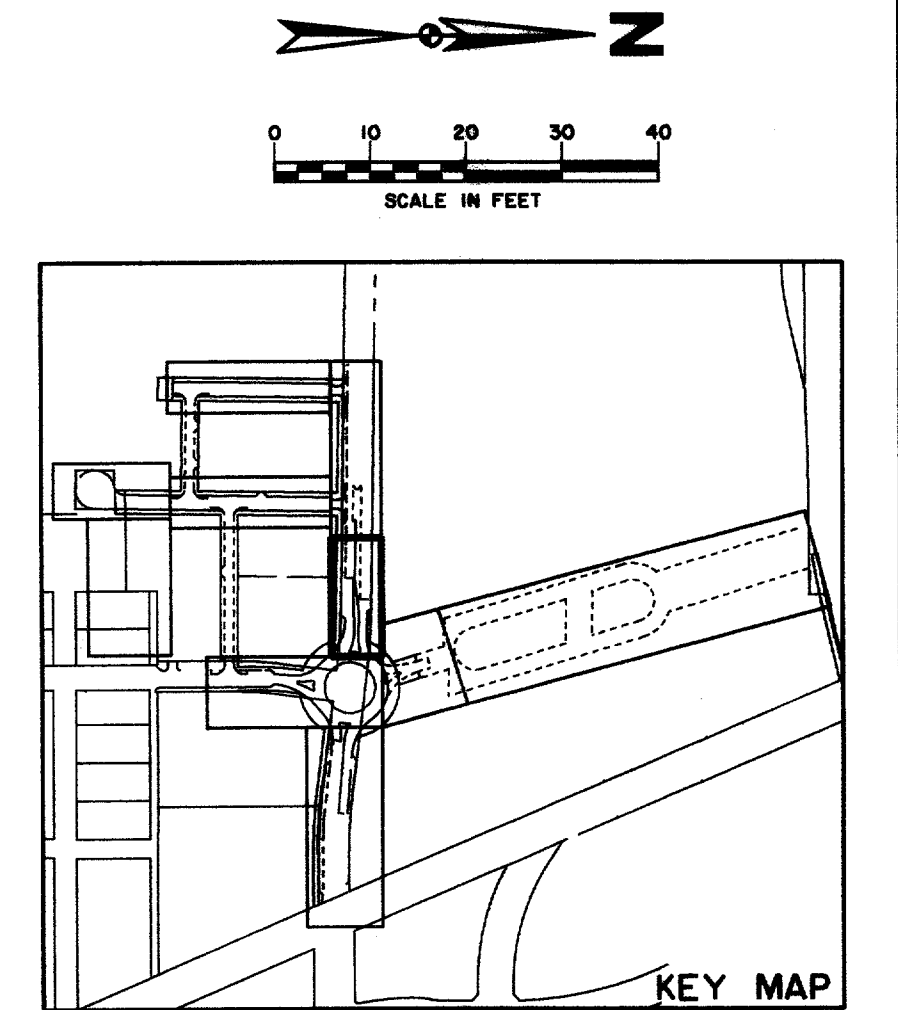


MATCH LINE STA. 6+50

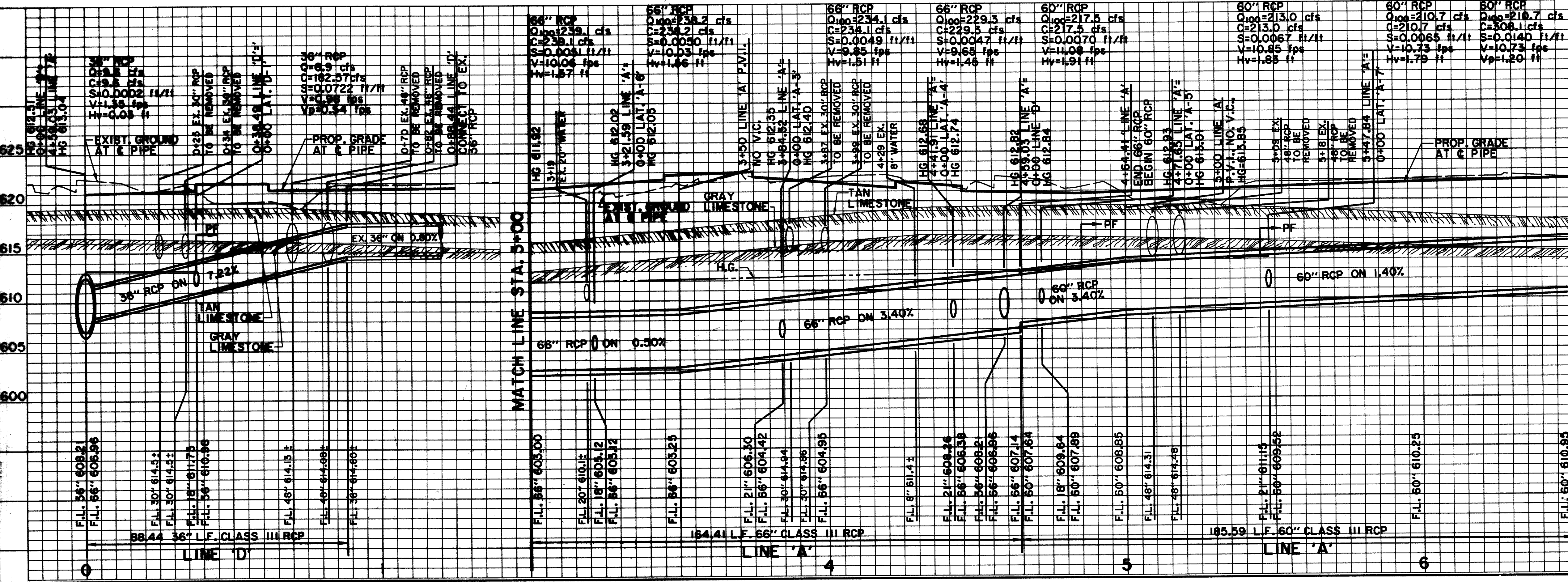


LEGEND

	ELECTRIC - ONE		MISC. - 48" RCP
	LIGHT POLE		EX. STORM SEWER
	POWER POLE		CHAIN LINK FENCE
	GUY WIRE		WOOD FENCE
	TELEPHONE MANHOLE		EXISTING ASPHALT
	TELEPHONE PEDESTAL		EXISTING DIRT OR GRAVEL
	TELEPHONE SIGN		EX. CONCRETE
	GAS MANHOLE		TREE/TREE LINE
	GAS METER		EXISTING CURB
	GAS SIGN		PROP. CURB
	RAILROAD SIGN		PROP. EDGE OF PAVEMENT NO CURB
	SIGN		EX. PROPERTY LINE
	FOUND IRON ROD		PROP. CENTERLINE
	TEMP BENCHMARK		PROP. R.O.W.
	WASTEWATER MANHOLE		PROP. INLET
	CLEANOUT		T.P.
	FIRE HYDRANT		T.C.
	METER		C.R.
	WATER VALVE		EX. GUTTER
			BORING LOCATION

RECORD DRAWING 5/1/98

ADDENDUM #2 1/22/96



**BENCHMARKS:**

BM#2  
"I" CUT AT CENTER BACK OF CURB OF INLET, 200 FEET NORTH FROM THE CENTERLINE INTERSECTION OF ADDISON CIRCLE, WEST SIDE OF QUORUM DRIVE.  
ELEV. 621.68

BM#3  
"I" CUT AT CENTER BACK OF CURB OF INLET, 620 FEET NORTH FROM THE CENTERLINE INTERSECTION OF ADDISON CIRCLE, WEST SIDE OF QUORUM DRIVE.  
ELEV. 624.50

ISSUED FOR CONSTRUCTION  
MARCH 28, 1996

THE SEAL APPEARING ON THIS DOCUMENT WAS AUTHORIZED BY  
KENNETH A. ROBERTS, P.E. 55446  
ON MARCH 28, 1996.

**STORM WATER PLAN & PROFILE**  
LINES 'A' & 'D'

**ADDISON CIRCLE**

**PHASE I PUBLIC INFRASTRUCTURE**

**TOWN OF ADDISON, TEXAS**

Huff-Zollars, Inc./Engineering/Architecture  
Dallas, Fort Worth, Houston, El Paso, Phoenix, Tustin, Ontario, San Clemente

DESIGN	DRAWN	APPR.	SCALE	DATE	PROJECT NO.	NO.
HZI	HZI	KAR	Hs 1"=20' Vs 1"=6'	JAN 96	1822-04	67 137

H:\FROJ\182204\DRGN\AUCID602.DGN