

CONTRACTOR SHALL PROVIDE GRADING AND PLANT BUFFALO GRASS SEED PER SPECIFICATIONS ON ALL DISTURBED AREAS WITHIN THE TOWN OF ADDISON'S PROPERTY. PROVIDE TEMPORARY IRRIGATION FOR SEEDING UNTIL IT IS ESTABLISHED AND ACCEPTED BY THE TOWN OF ADDISON. THIS WORK SHALL BE COMPLETE BY JUNE 30, 1996.

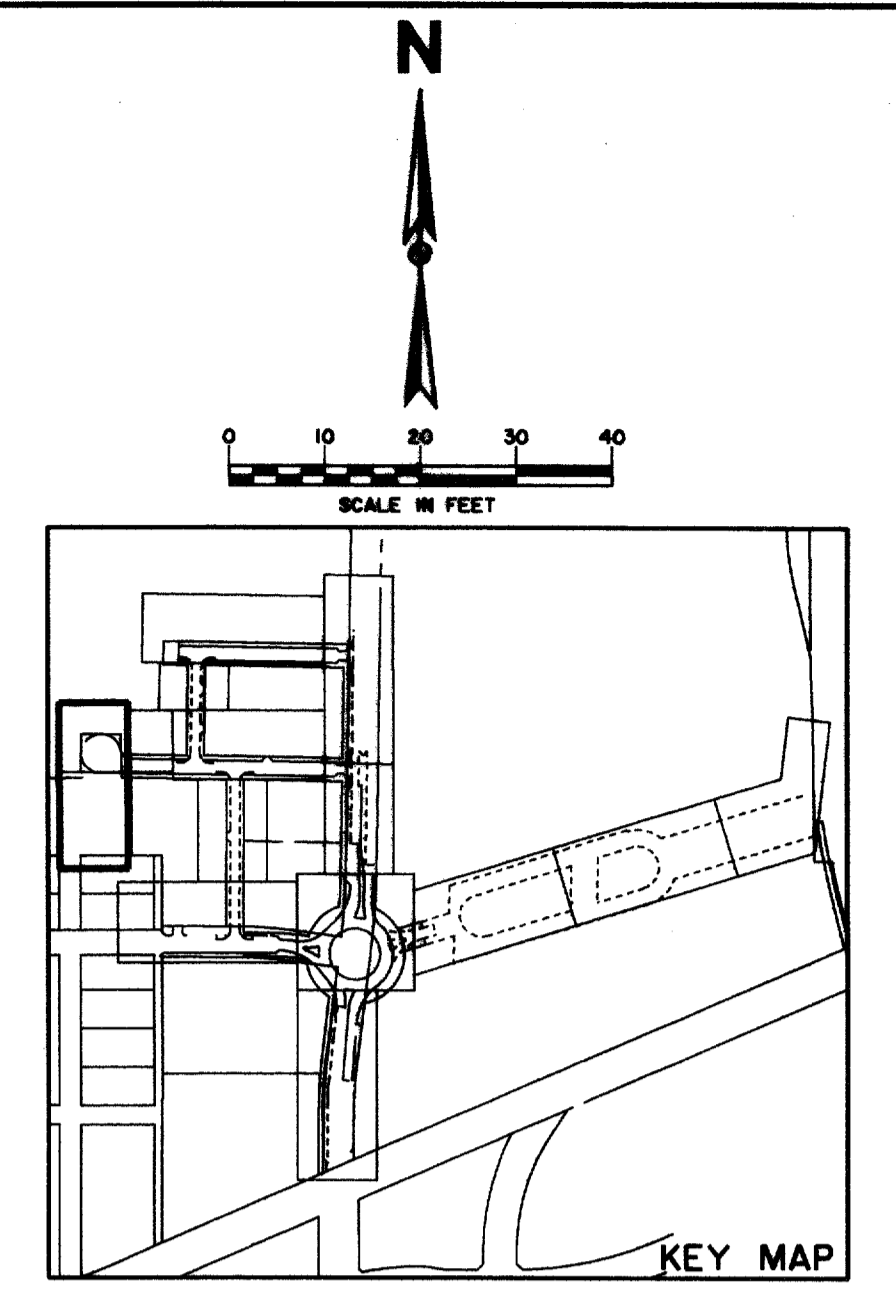
CAUTION!!! EXISTING UNDERGROUND TELEPHONE IN THIS AREA. IT IS CRITICAL TO MAINTAIN PHONE SERVICE TO THE STORAGE TANK AT ALL TIMES. CONTRACTOR SHALL CALL 1-800-344-8377 FOR LINE LOCATIONS PRIOR TO ANY EXCAVATION.

REPLACE EXISTING BLACK VINYL COATED CHAIN LINK FENCE ON PROPERTY LINE UPON COMPLETION OF GRADING. PRIVATE DEVELOPER (COLUMBUS REALTY TRUST) WILL REMOVE FENCE AND PERFORM GRADING ON WATER TOWER SITE.

REMOVE LIGHT POLE FOR GRADING. RECONSTRUCT AT ITS ORIGINAL LOCATION UPON COMPLETION OF GRADING. THIS OPERATION WILL BE PERFORMED BY COLUMBUS REALTY TRUST.

POWER POLE TO BE RELOCATED TO TOWN OF ADDISON PROPERTY BY TU ELECTRIC.

CONSTRUCT NEW 6" BLACK VINYL COATED CHAIN LINK FENCE ON PROPERTY LINE.



LEGEND

ELECTRIC	— OHE —	MISC.
○	LIGHT POLE	— 48" RCP —
PP	POWER POLE	— CHAIN LINK FENCE —
—	GUY WIRE	— WOOD FENCE —
TELEPHONE	— T —	— EXISTING ASPHALT —
●	TELEPHONE MANHOLE	— EXISTING DIRT OR GRAVEL —
□	TELEPHONE PEDESTAL	— EX. CONCRETE —
TS	TELEPHONE SIGN	— TREE/TREE LINE —
GAS	— G —	— EXISTING CURB —
GM	GAS METER	— PROP. CURB —
GS	GAS SIGN	— PROP. EDGE OF PAVEMENT NO CURB —
LAND USE		— EX. PROPERTY LINE —
RJR	RAILROAD SIGN	— PROP. CENTERLINE —
SIGN	SIGN	— PROP. R.O.W. —
SURVEY		— PROP. INLET —
IR	FOUND IRON ROD	— T.P. —
□	TEMP BENCHMARK	— T.C. —
WASTEWATER	— WW —	— C.R. —
WM	WASTEWATER MANHOLE	— EX. G —
CO	CLEANOUT	— B-20 —
WATER	— W —	
FH	FIRE HYDRANT	
WM	METER	
T	WATER VALVE	

ISSUED FOR CONSTRUCTION
MARCH 28, 1996

THE SEAL APPEARING ON THIS DOCUMENT WAS AUTHORIZED BY
KENNETH A. ROBERTS, P.E. 55446
ON MARCH 28, 1996.

3-28-96

OFF-SITE GRADING

ADDISON CIRCLE

PHASE I PUBLIC INFRASTRUCTURE

TOWN OF ADDISON, TEXAS

Huitt-Zollars, Inc./Engineering/Architecture
Dallas, Fort Worth, Houston, El Paso, Phoenix, Tustin, Ontario, San Clemente

DESIGN	DRAWN	APPR.	SCALE	DATE	PROJECT NO.	NO.
HZI	HZI	KAR	1"=20'	JAN 96	1822-04	30

RECORD DRAWING 5/1/98
ADDENDUM *4 2/16/96

