

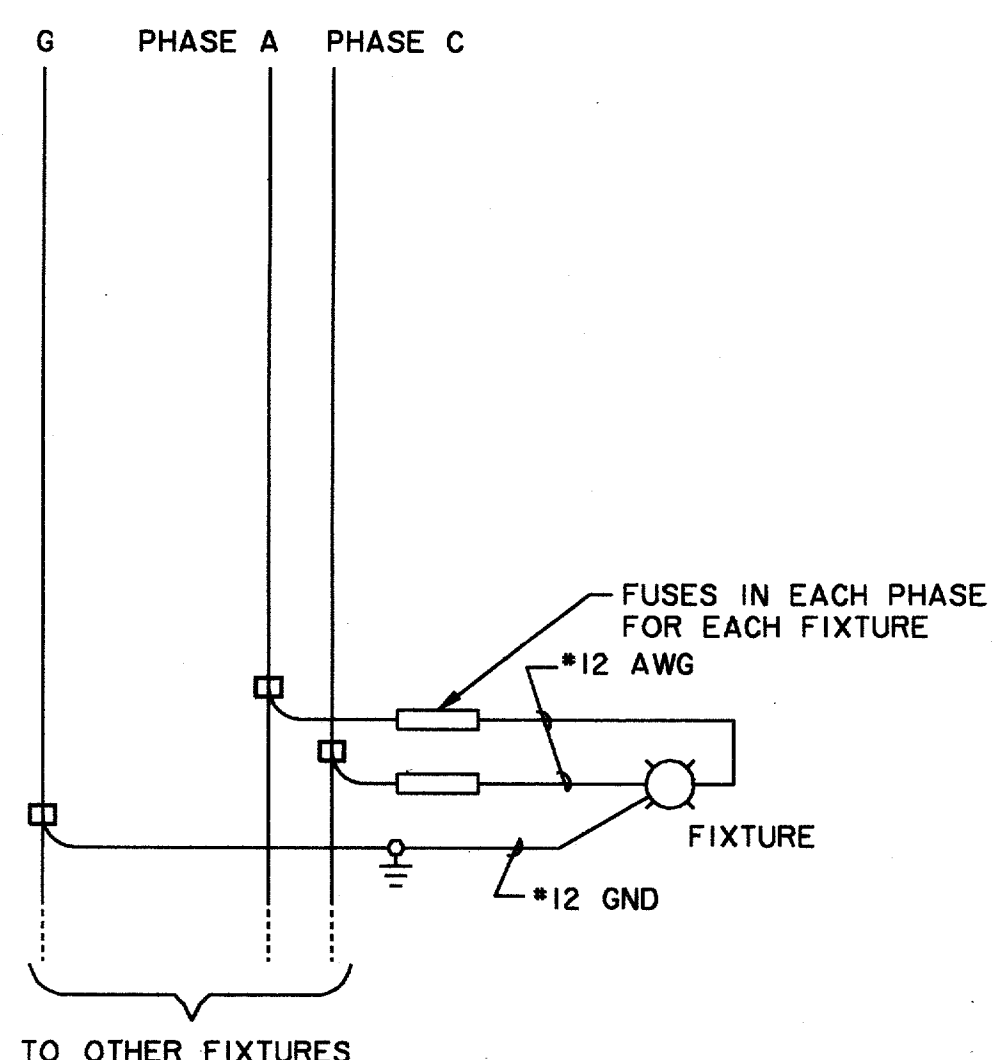
1 LIGHTING FIXTURE DETAIL 'TYPE A'
N.T.S.

NOTE:

1. FIXTURES ARE OWNER FURNISHED AND CONTRACTOR INSTALLED. CONTRACTOR TO PICK UP FIXTURES AT LOCATION DESIGNATED BY OWNER. UNCRATE, ASSEMBLE AND INSTALL LIGHT FIXTURES IN ACCORDANCE WITH MANUFACTURER'S REQUIREMENTS.

NOTES:

1. GROUND EACH POLE BASE AND FIXTURE.
2. USE COMPRESSION FITTINGS FOR TAPS.
3. POWER FEEDER CONDUCTOR SIZE AS SHOWN ON PLANS.



2 TYPICAL LIGHTING FIXTURE POWER CIRCUIT
N.T.S.

GENERAL NOTES

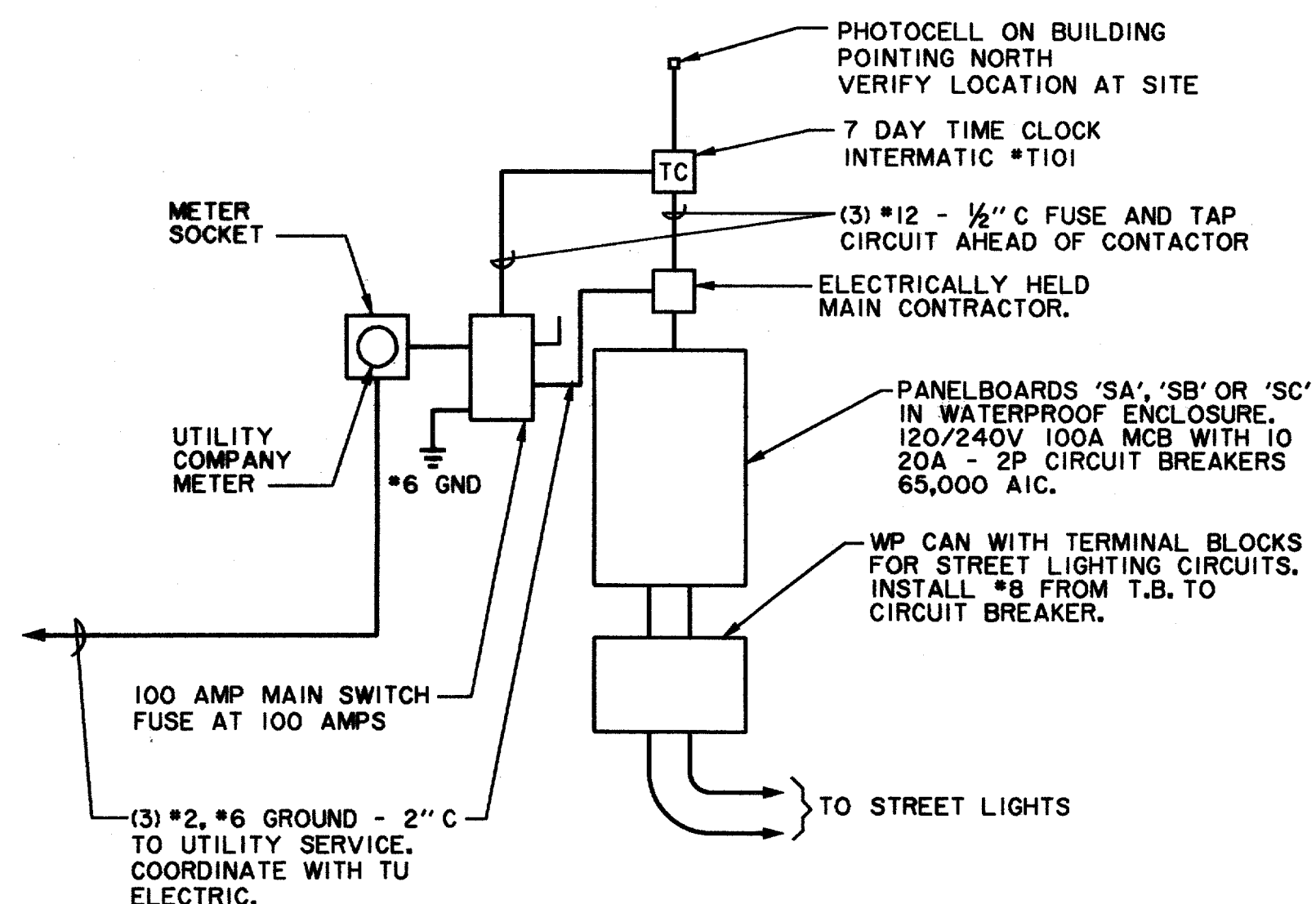
NUMBER	DESCRIPTION
1	GENERAL ELECTRICAL NOTES FOR THIS PROJECT WHICH APPLY TO DRAWINGS 54C, 54D & 54E:
1	THE TERM 'PROVIDE' SHALL MEAN FOR THE CONTRACTOR TO FURNISH AND INSTALL A COMPLETE OPERATING SYSTEM.
2	REFER TO PHASE I PUBLIC INFRASTRUCTURE DRAWINGS FOR ADDITIONAL INFORMATION ON LIGHTING CONDUIT LOCATIONS.
3	DRAWINGS 54C, 54D AND 54E INDICATE WORK RELATED TO INSTALLATION OF STREET LIGHTING. CONTRACTOR SHALL REVIEW ALL DRAWINGS FOR ALL TRADES IN THIS BID PACKAGE AND INCORPORATE ALL REQUIREMENTS INTO THE BID AS REQUIRED FOR THE ELECTRICAL WORK.
4	LOCATIONS OF ALL LIGHT FIXTURES, PULL BOXES AND ROUTING OF CONDUITS SHALL BE IDENTIFIED ON THE SITE BY STAKES AND PAINT PRIOR TO ANY EXCAVATION. REQUIREMENTS FOR CONDUIT ROUTING ARE PROVIDED ON DRAWINGS. PROVIDE FIELD ADJUSTMENTS FROM LOCATIONS SHOWN ON THE DRAWINGS AS REQUIRED AT SITE.
5	SITE VISIT AND REVIEW OF EXISTING CONDITIONS IS MANDATORY TO ACCOUNT FOR EXISTING CONDITIONS IN BID. FIELD VERIFY EXISTING CONDUITS.

KEY NOTES (SEE E2 AND E3)

NUMBER	DESCRIPTION
①	PANEL AND ASSOCIATED EQUIPMENT AS REQUIRED FOR SERVICE POINT INDICATED. SAWCUT CONCRETE, INTERCEPT EXISTING CONDUITS AND EXTEND UP TO METER AND PANEL. REPLACE CONCRETE TO EXISTING CONDITIONS. EXACT LOCATION TO BE VERIFIED AT PROJECT SITE.
②	NEW HANDHOLE REQUIRED. INTERCEPT EXISTING CONDUITS AND CONNECT TO CONDUITS. CONCRETE PRECAST HANHOLE WITH CONCRETE BOLT ON GASKETTED COVER.
③	PROVIDE NEW WIRE IN EXISTING CONDUIT, NUMBER AND SIZE AS SHOWN.
④	PROVIDE 20A IN LINE FUSE ON EACH LIGHTING CIRCUIT FROM THIS LOCATION.
⑤	ROUTE CIRCUITRY THROUGH CONDUITS AND PULL BOXES. MAKE SPLICE IN MAIN FEEDERS USING HIGH COMPRESSION SPLICE FITTING. PROVIDE IN LINE FUSE PROTECTION FOR EACH CIRCUIT.

ELECTRICAL LEGEND

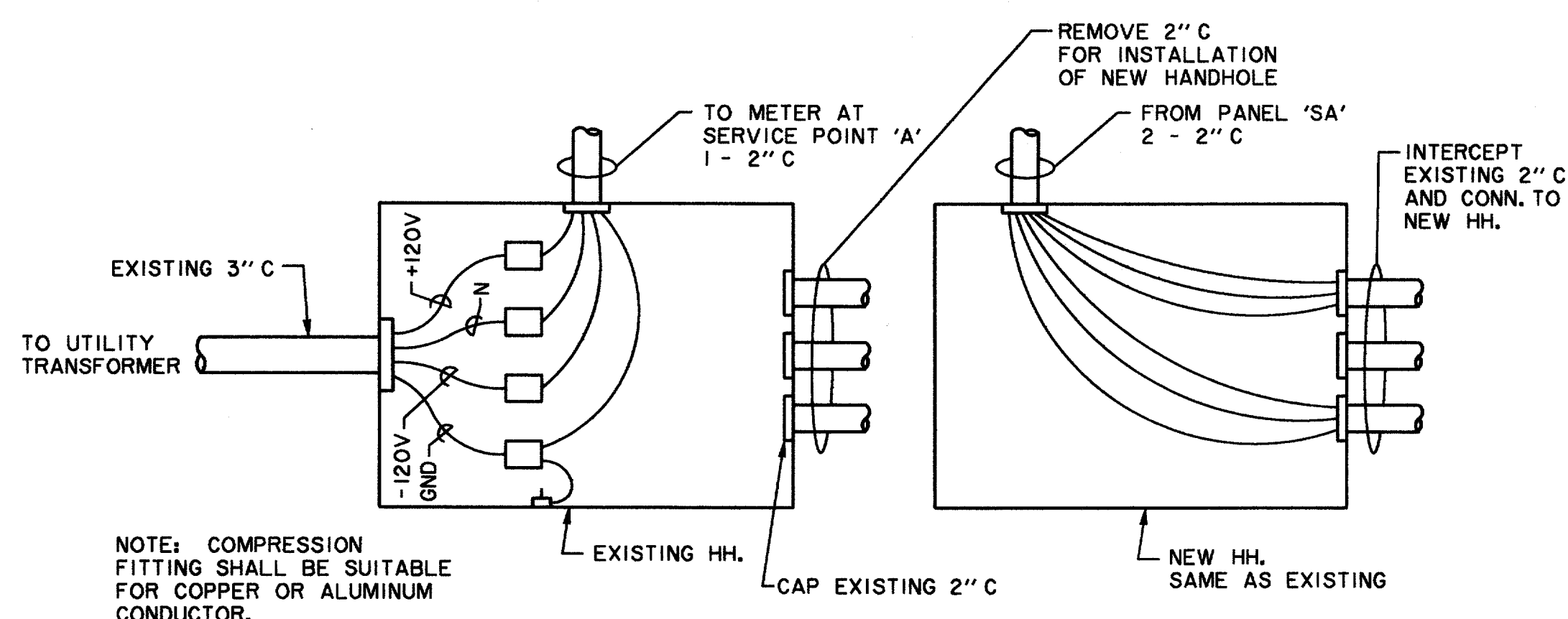
SYMBOL	DESCRIPTION
-----	OTHER SYSTEMS (NIC)
-----	WIRE BY THIS CONTRACT IN EXISTING UNDERGROUND.
-----	CONDUIT AND WIRE THIS CONTRACT.
□	PULL BOX/HANDHOLE
(A3)	CONDUIT IDENTIFICATION FOR NEW MAIN FEEDER.
A-2,4	CIRCUIT NUMBERS FROM PANELS AT SERVICE POINTS 'A', 'B' AND 'C'.
⊙ _A	POLE MOUNTED LIGHT FIXTURE, TYPE A.



3 TYPICAL PANEL RISER DIAGRAM AT SERVICE POINT 'A', 'B' AND 'C'
N.T.S.

NOTE:

1. PROVIDE ALL INSTALLATION HARDWARE INCLUDING UNISTRUT FRAMEWORK FOR SECURE INSTALLATION.
2. TERMINAL BLOCK CAN TO HAVE BLOCKS AND SPACE FOR MIN. OF 12 MORE CIRCUITS FOR FUTURE EXPANSION.
3. ENTIRE INSTALLATION WP RATED.
4. EXISTING CONDUITS MAY BE 2" OR 3" VERIFY AT SITE.

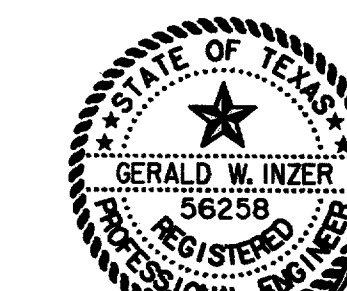


NOTE: COMPRESSION FITTING SHALL BE SUITABLE FOR COPPER OR ALUMINUM CONDUCTOR.

4 HANDHOLE DETAIL
N.T.S.

RECORD DRAWING 5/1/98

THE SEAL APPEARING ON THIS DOCUMENT WAS AUTHORIZED BY GERALD W. INZER, P.E. 56258 ON AUGUST 20, 1997.



STREET LIGHT POWER PLAN

ADDISON CIRCLE

PHASE I PUBLIC INFRASTRUCTURE

TOWN OF ADDISON, TEXAS

Huitt-Zollars, Inc./Engineering/Architecture
Dallas, Fort Worth, Houston, El Paso, Phoenix, Tustin, Ontario

DESIGN	DRAWN	APPR.	SCALE	DATE	PROJECT NO.	NO.
HZ1	HZ1	GW1	N.T.S.	AUG 97	1822-13	54C