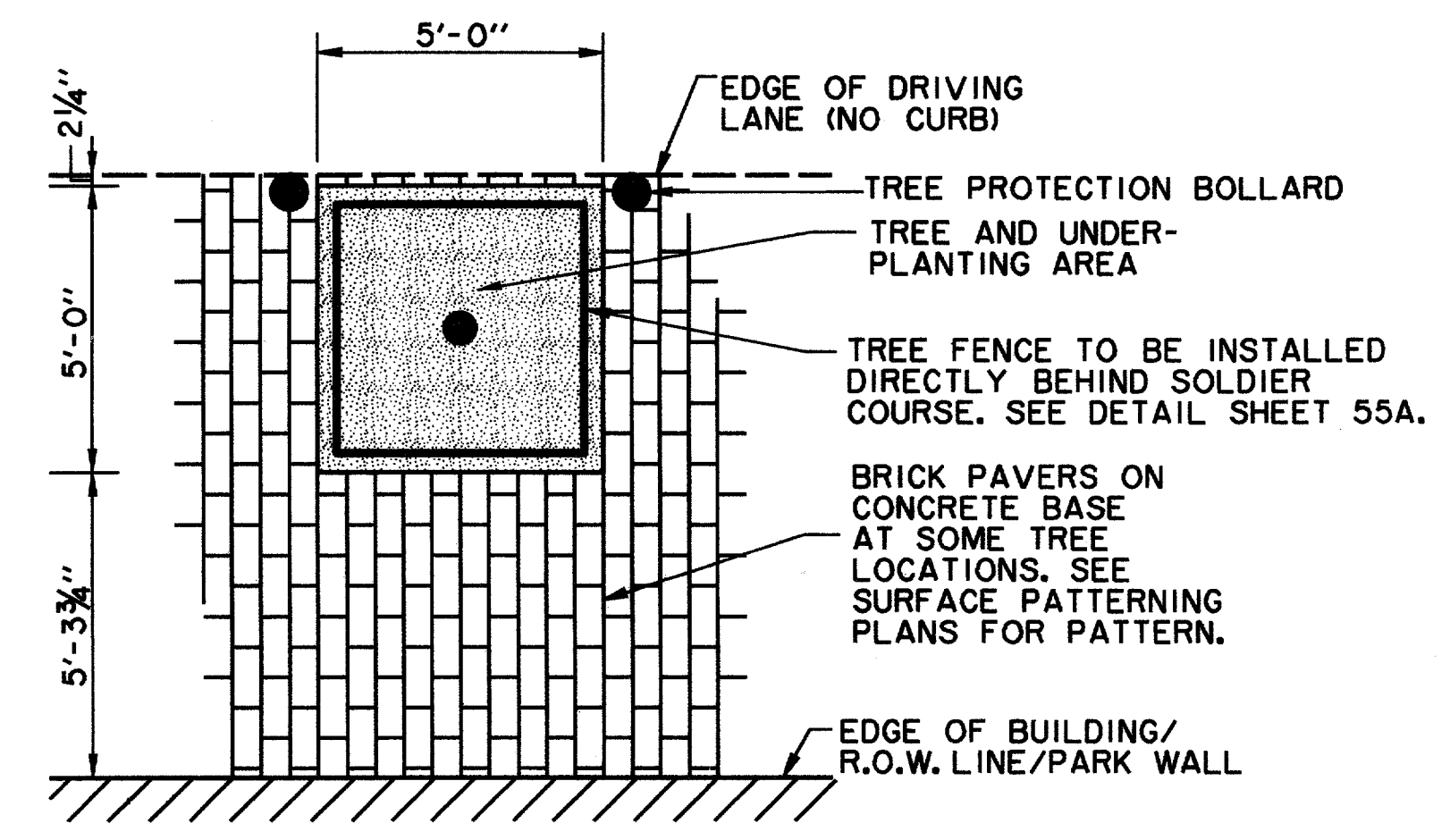
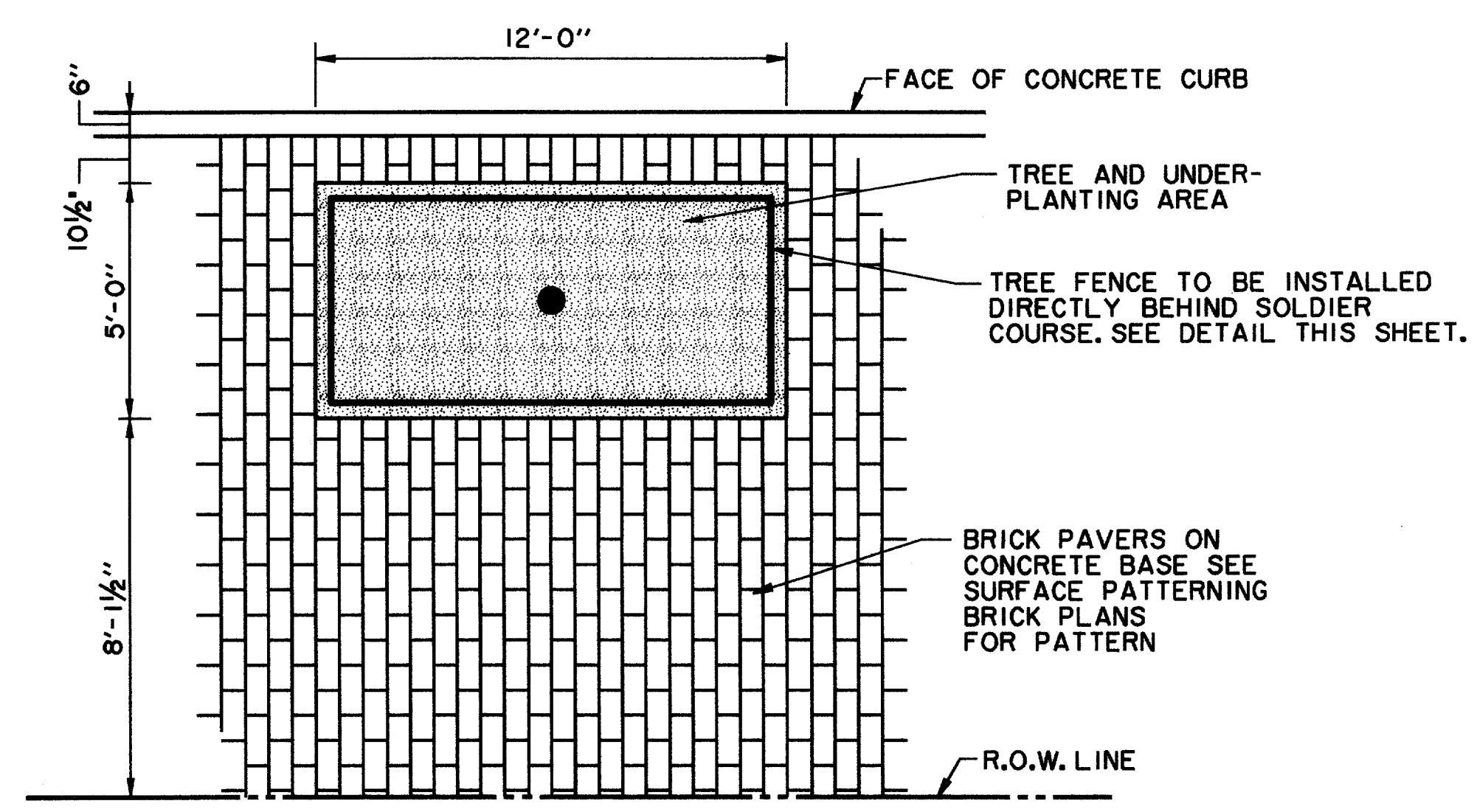


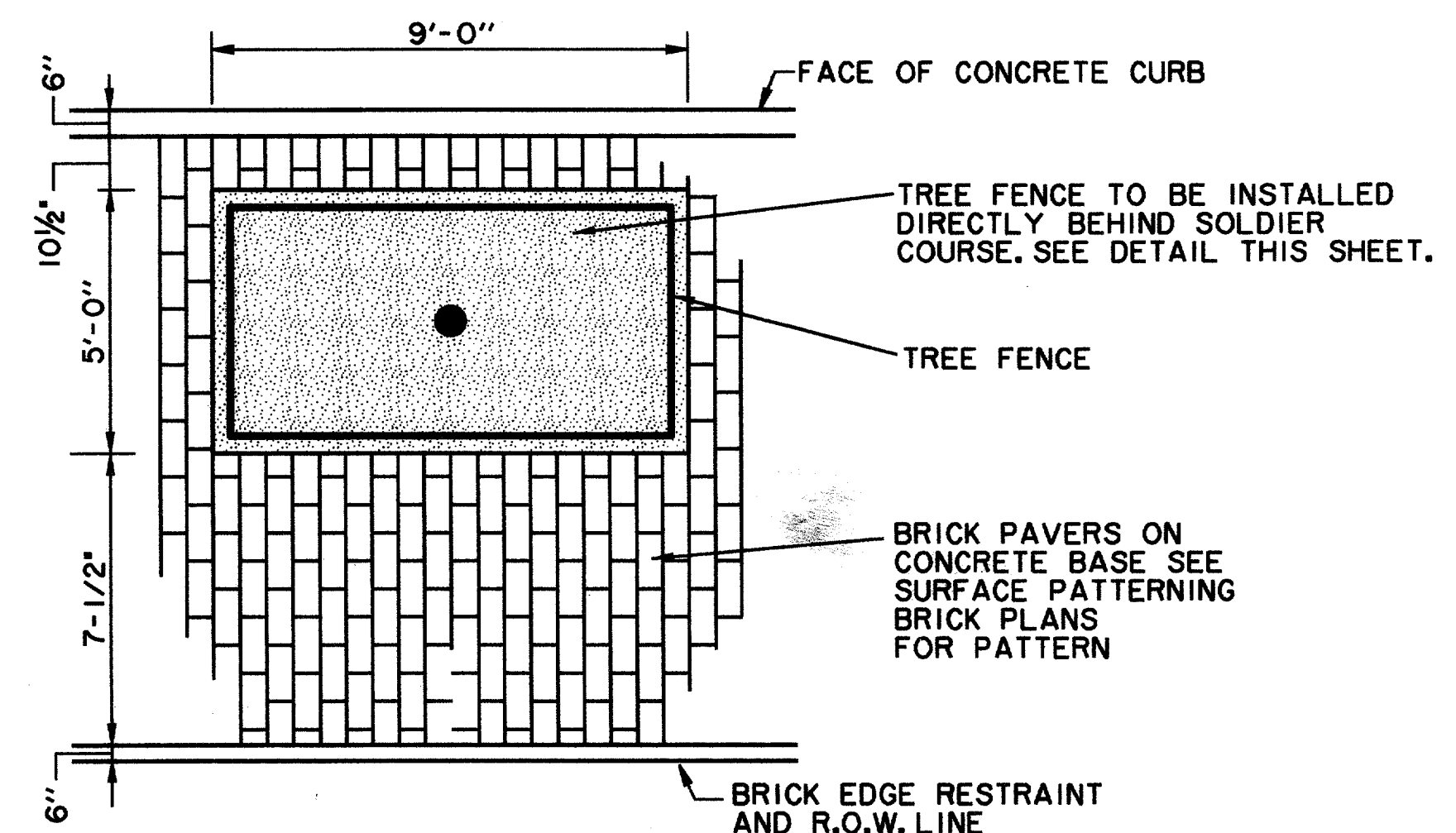
TREE PIT PLAN (MODERN ROUNDABOUT) Δ
N.T.S.



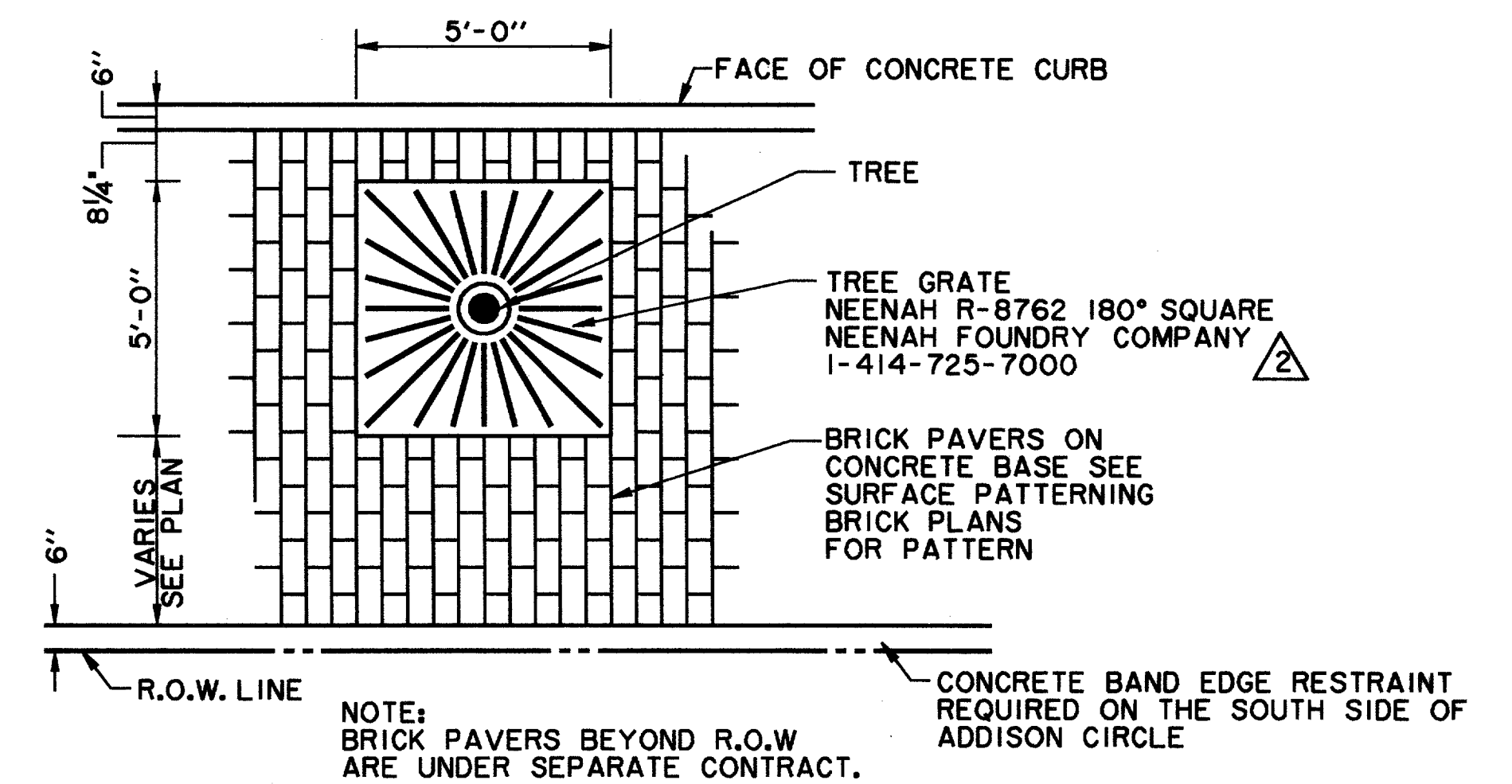
TREE PIT PLAN (WITT PLACE AND PASCHAL PLACE) Δ
N.T.S.



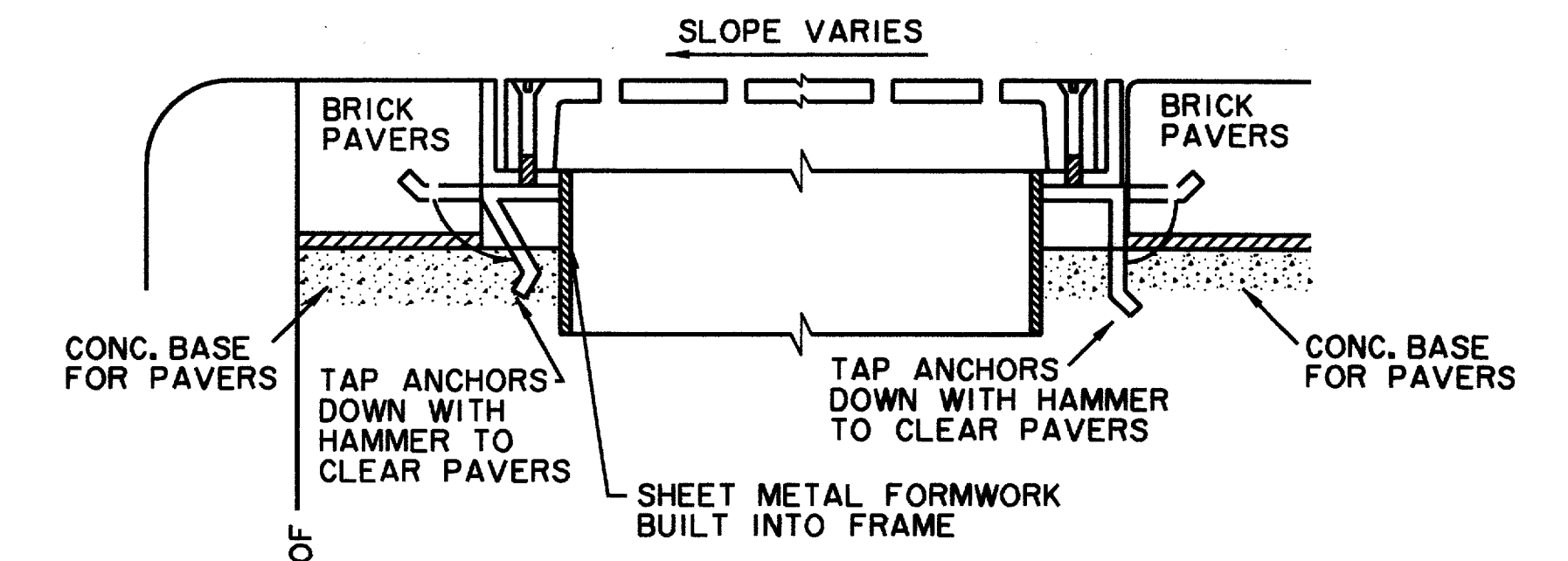
TREE PIT PLAN (QUORUM DRIVE) Δ
N.T.S.



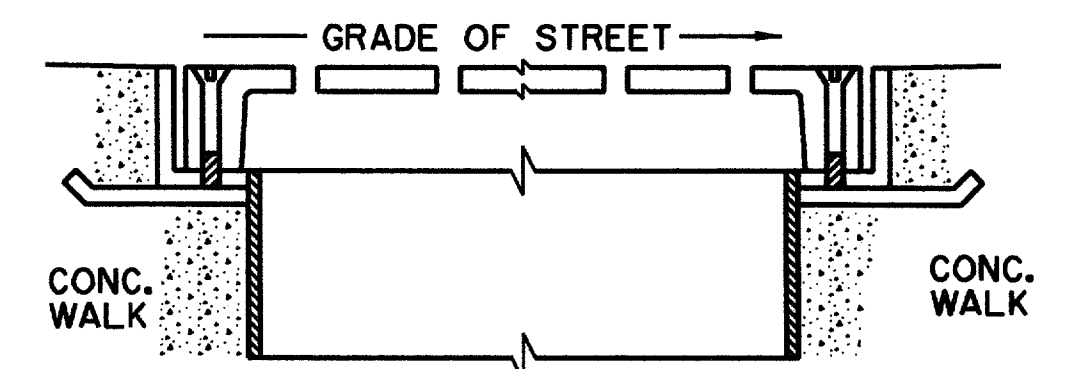
TREE PIT PLAN (GOODMAN AVE & MORRIS AVE.) Δ
N.T.S.



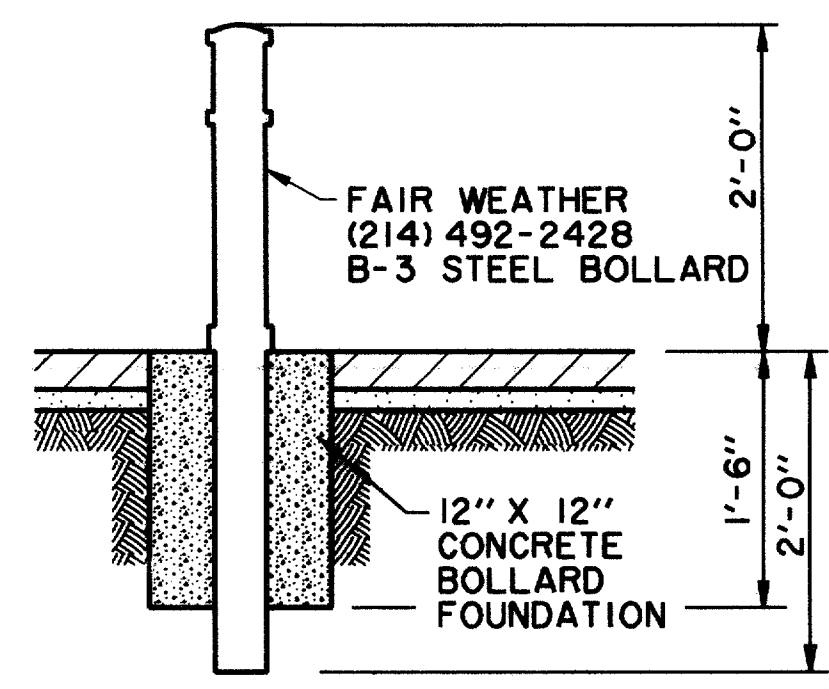
TREE PIT PLAN (ADDISON CIRCLE) Δ Δ
N.T.S.



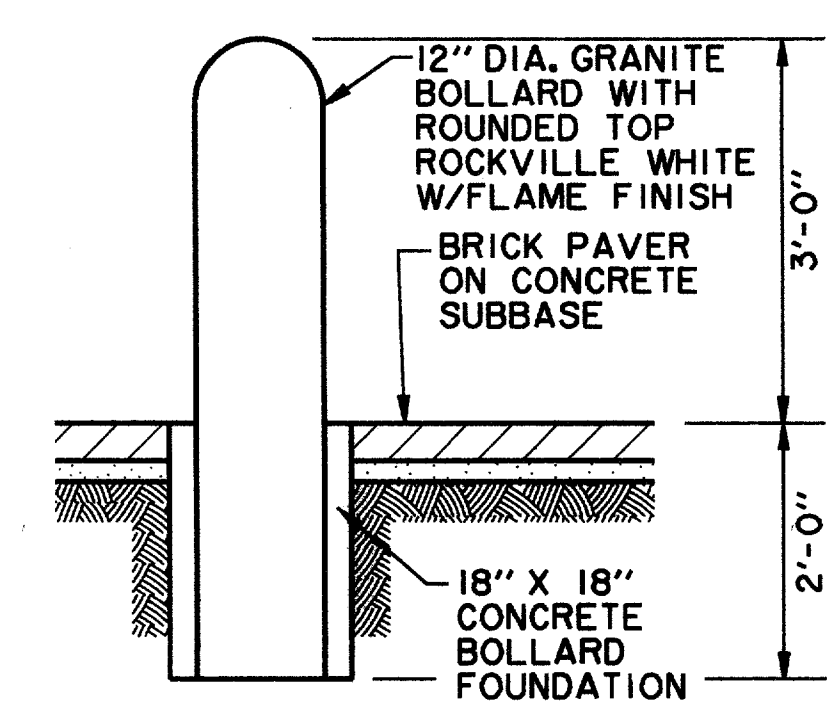
SECTION THRU TREE GRATE PERPENDICULAR TO CURB Δ
N.T.S.



SECTION THRU TREE GRATE PARALLEL TO CURB Δ
N.T.S.



BOLLARD DETAIL Δ
N.T.S.



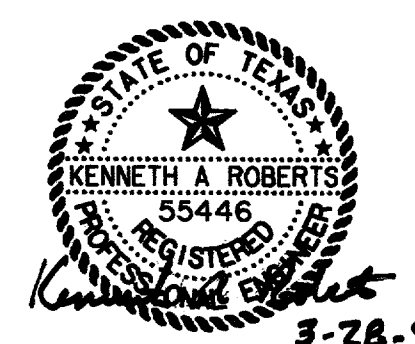
BOLLARD DETAIL (ALTERNATE) Δ
N.T.S.

RECORD DRAWING 5/1/98

- Δ MOVED TREE FENCE DETAIL AND REVISED TREE PIT PLANS 11/15/96
- Δ ADDENDUM #4 2/16/96
- Δ ADDENDUM #2 1/22/96

ISSUED FOR CONSTRUCTION MARCH 28, 1996

THE SEAL APPEARING ON THIS DOCUMENT WAS AUTHORIZED BY KENNETH A. ROBERTS, P.E. 55446 ON MARCH 28, 1996.



STREETSCAPE DETAILS						
ADDISON CIRCLE						
PHASE I PUBLIC INFRASTRUCTURE						
TOWN OF ADDISON, TEXAS						
Huiitt-Zollars, Inc./Engineering/Architecture Dallas, Fort Worth, Houston, El Paso, Phoenix, Tustin, Ontario, San Clemente						
DESIGN	DRAWN	APPR.	SCALE	DATE	PROJECT NO.	NO.
HZI	HZI	KAR	N.T.S.	JAN 96	1822-04	56
						137