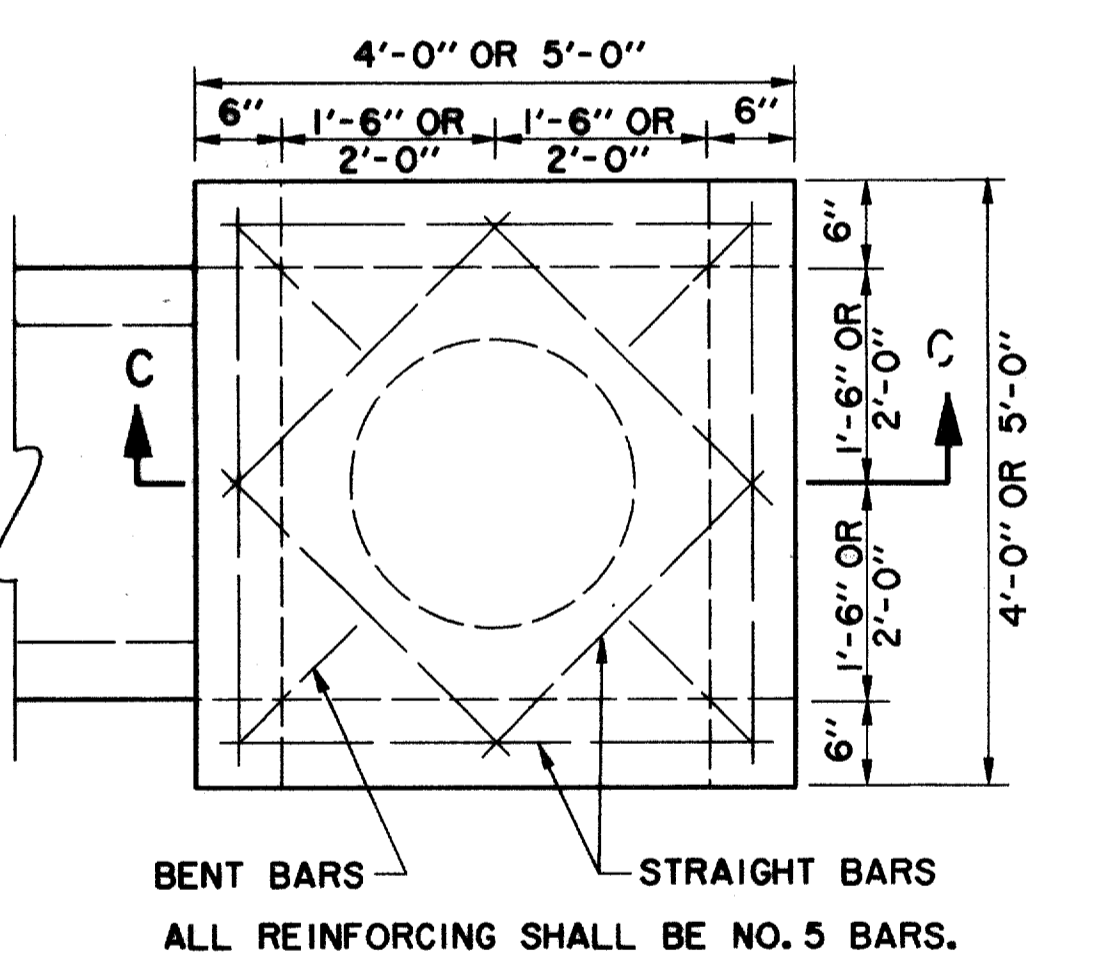


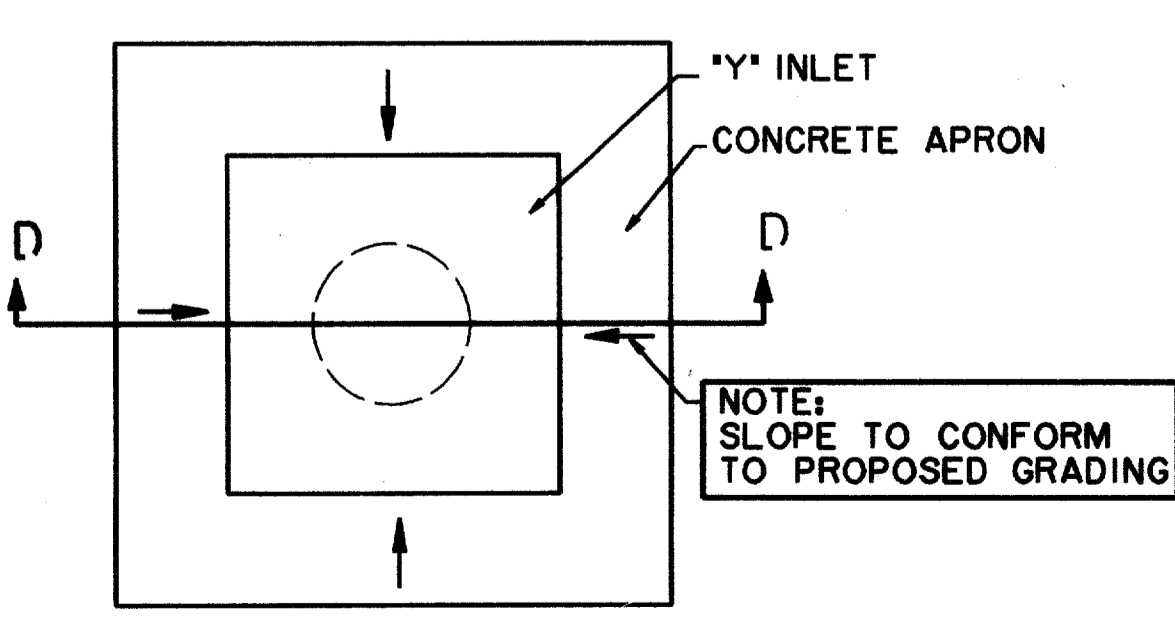
FOR EXISTING INLETS TO BE MODIFIED, BREAK OUT TOP ±20", TIE NEW STEEL TO OLD AND POUR MODIFIED TOP.

SECTION C-C - DETAIL BRICK ON INLET N.T.S.

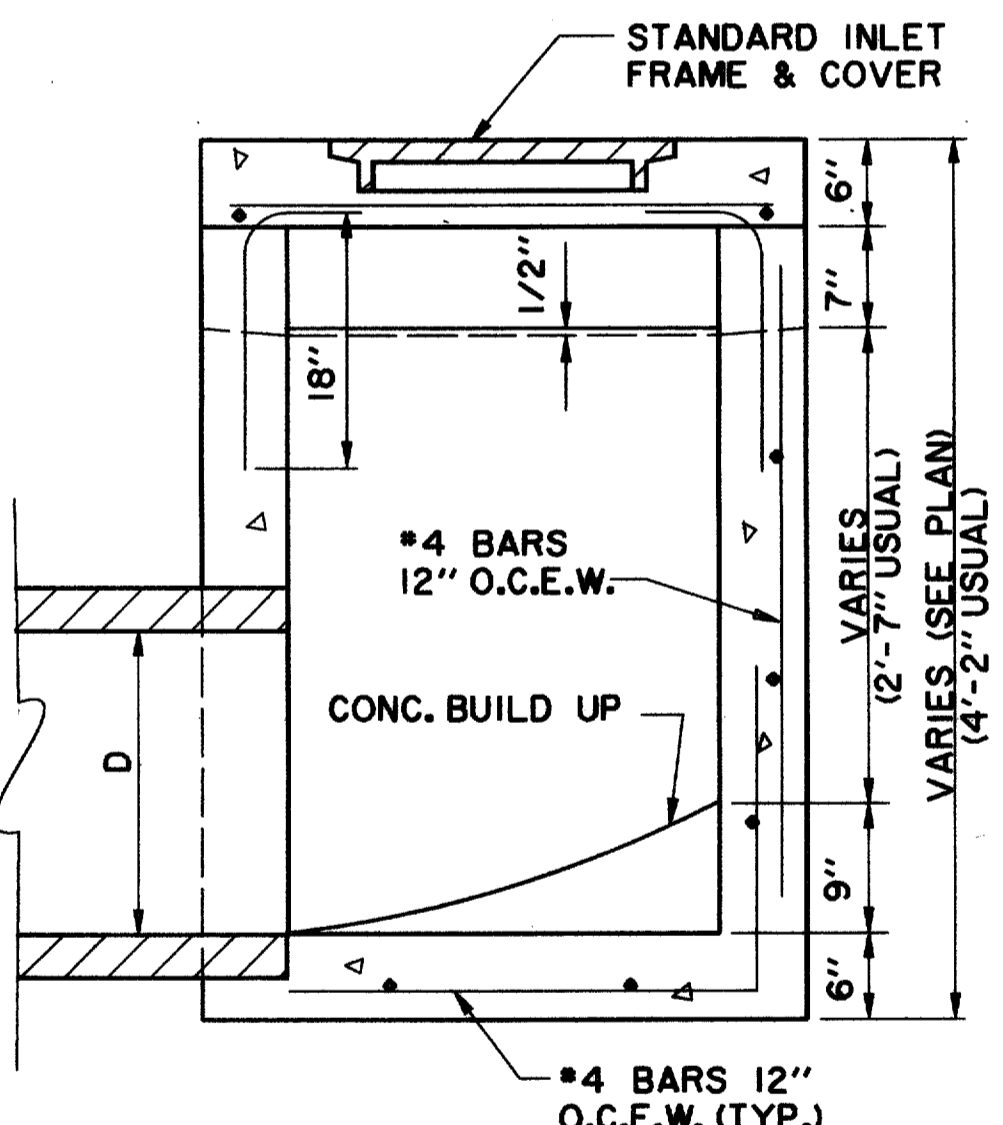


STANDARD TYPE "Y" INLET N.T.S.

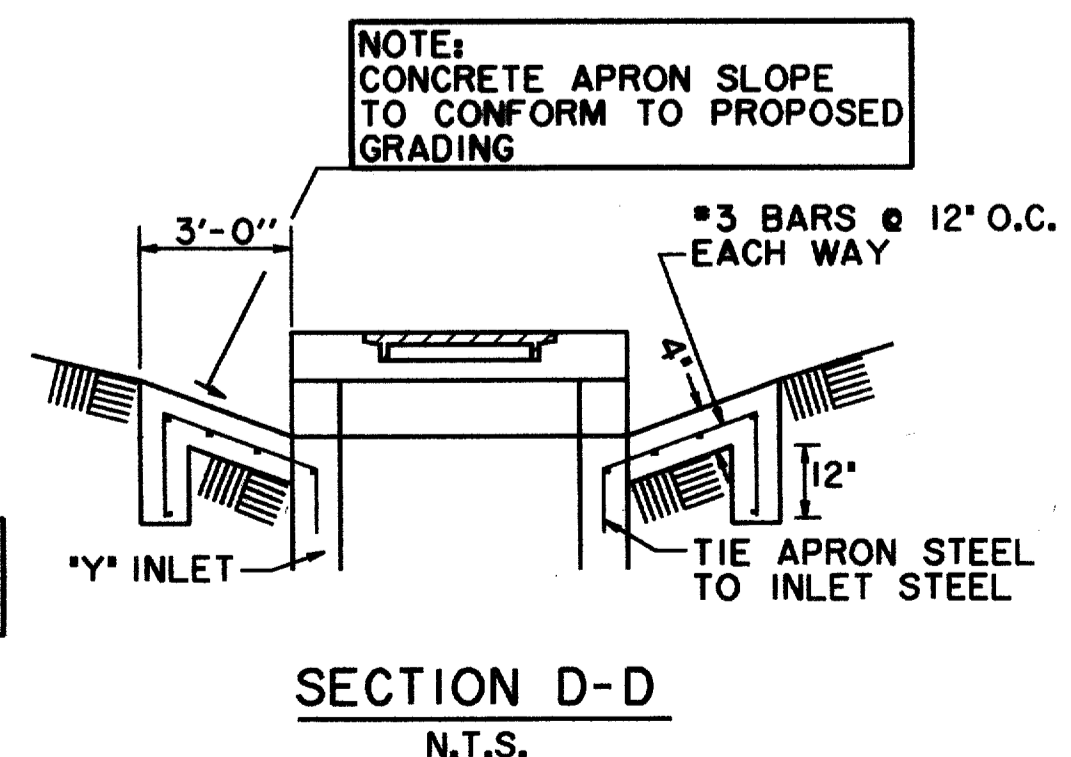
NOTE: ALL 'Y' INLETS TO HAVE CONCRETE APRON AROUND INLET



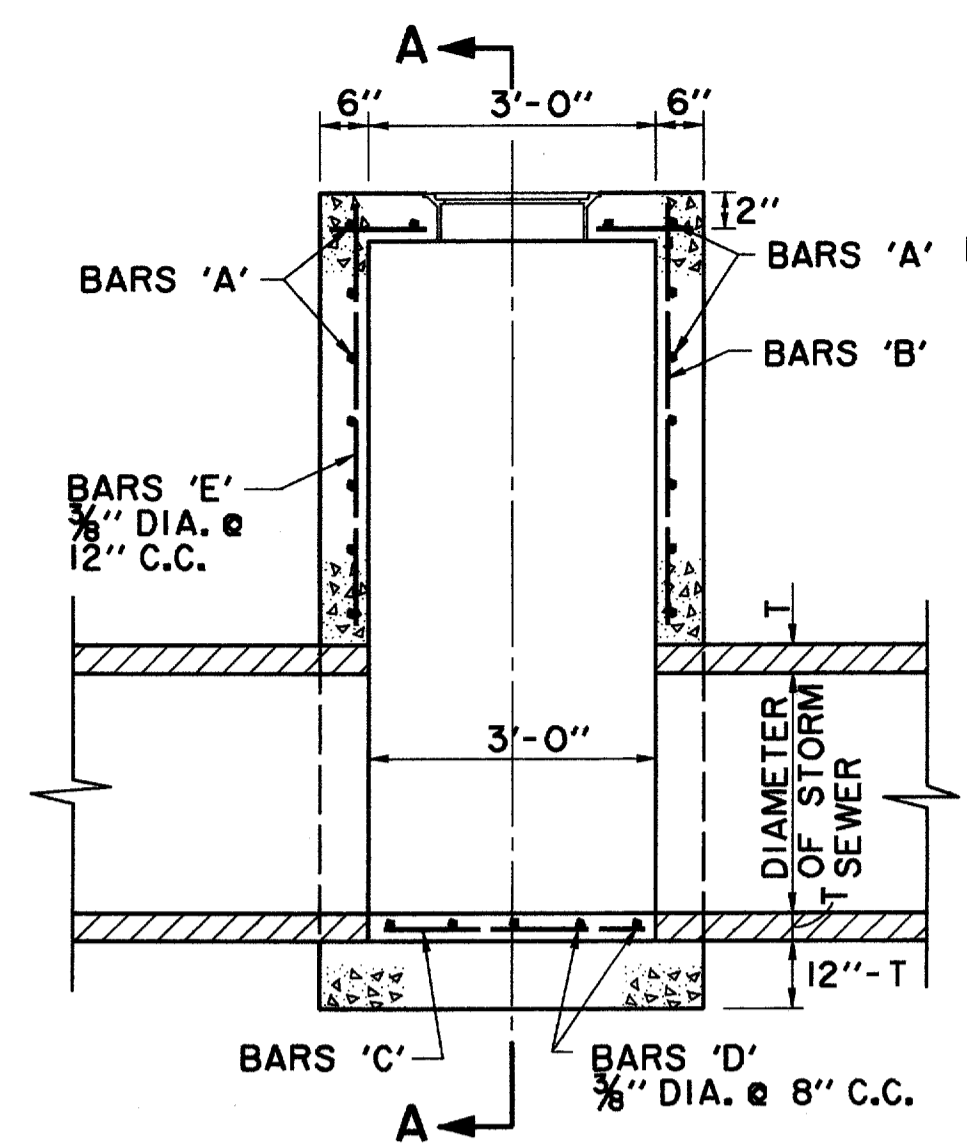
'Y' INLET CONCRETE APRON PLAN N.T.S.



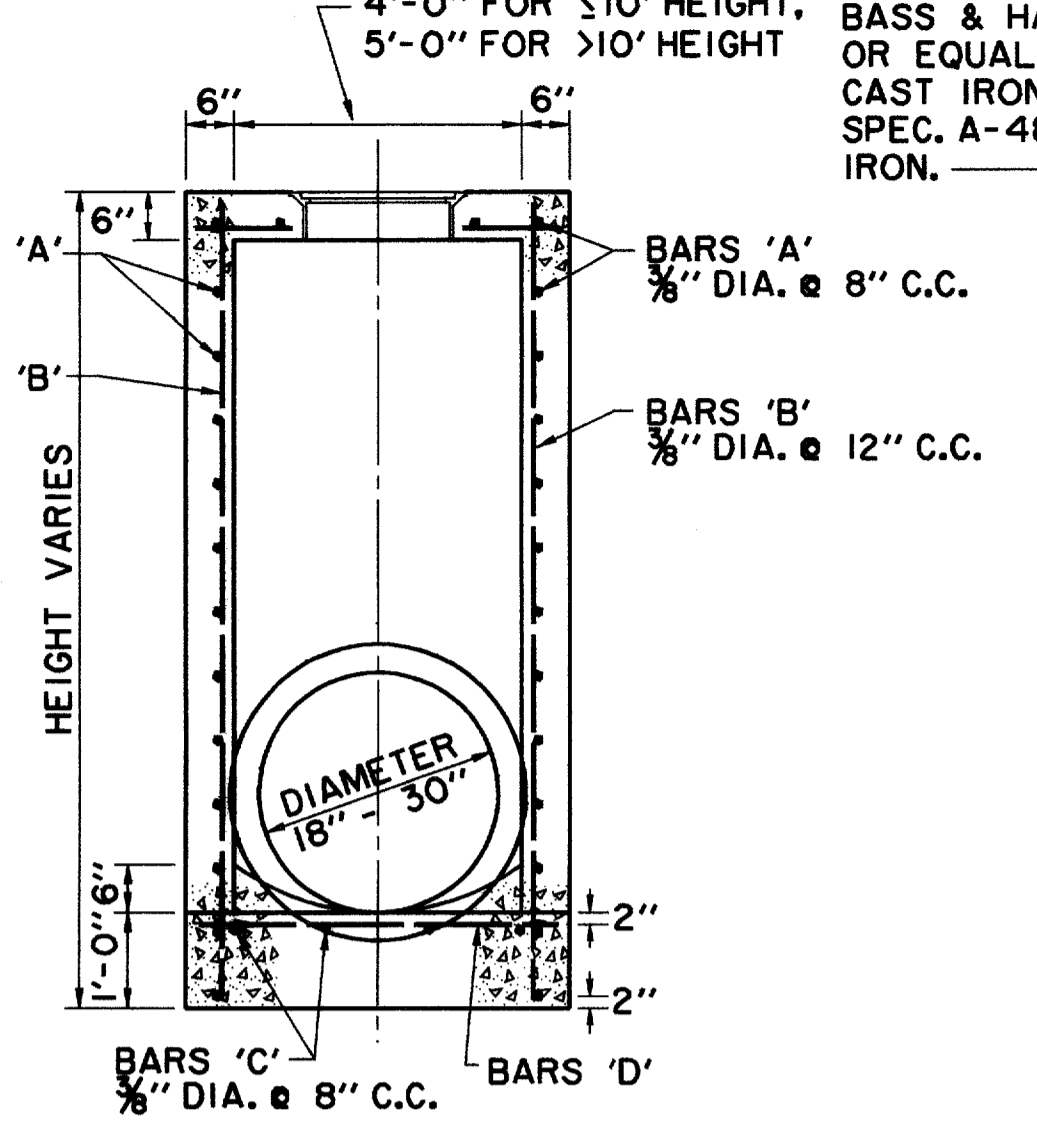
SECTION C-C STANDARD INLET FRAME & COVER N.T.S.



SECTION D-D N.T.S.

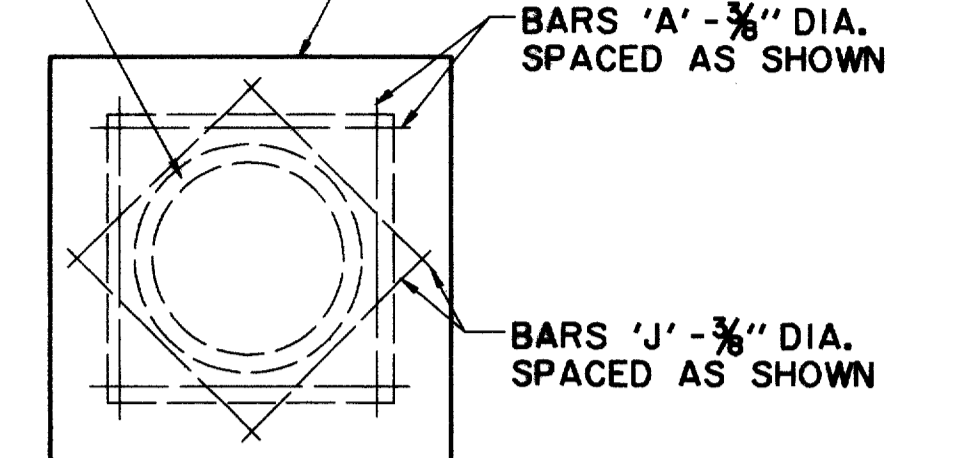


ELEVATION TYPE A STORM SEWER MANHOLE (FOR PIPE 18" TO 30" IN DIAMETER) N.T.S.



SECTION A-A TYPE A STORM SEWER MANHOLE N.T.S.

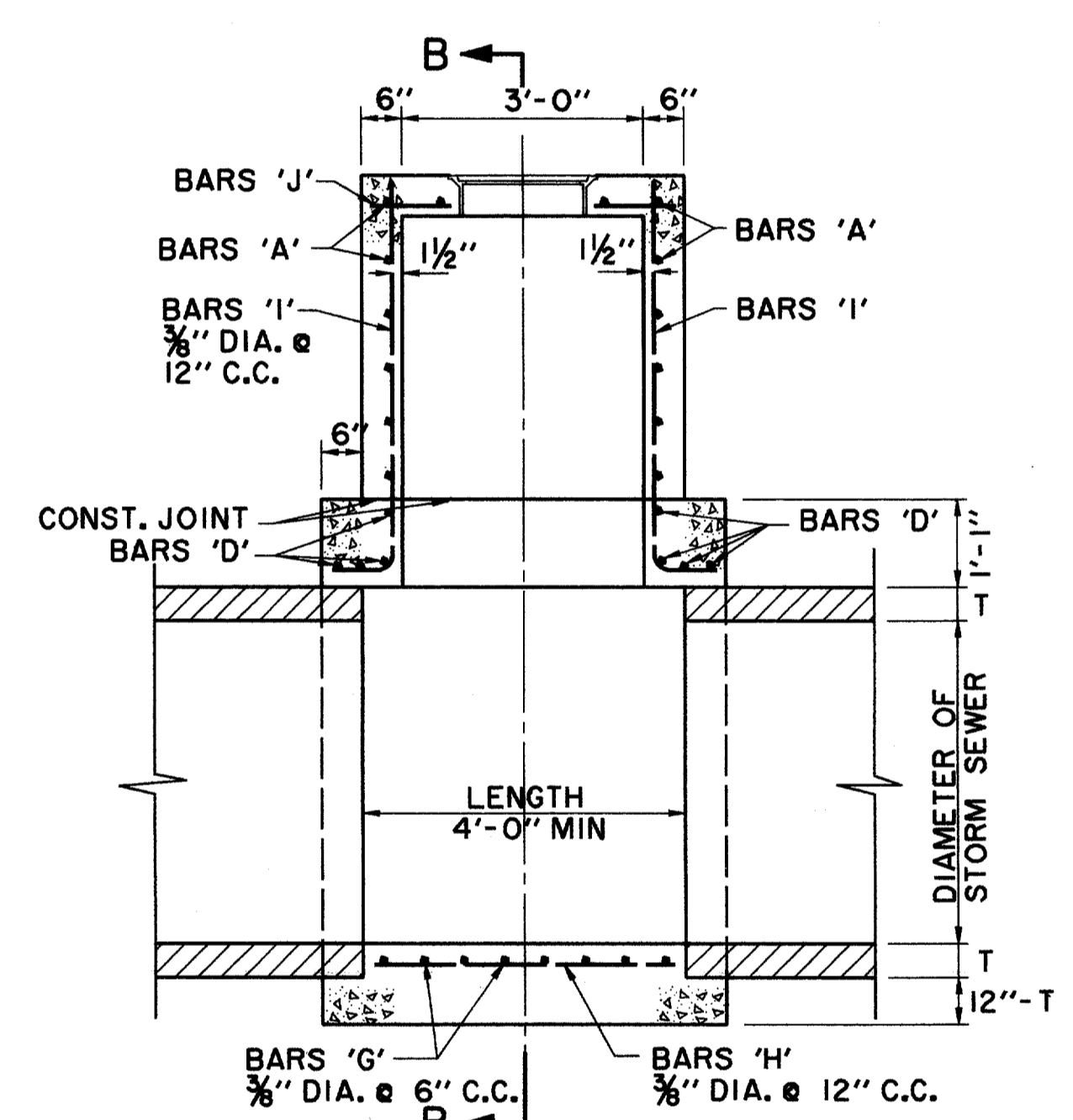
NOTE: FRAME AND COVER SHALL BE BASS & HAYS PATTERN NO. 400-24 OR EQUAL AND SHALL BE OF GRAY CAST IRON CONFORMING TO A.S.T.M. SPEC. A-48 FOR CLASS 30 CAST IRON.



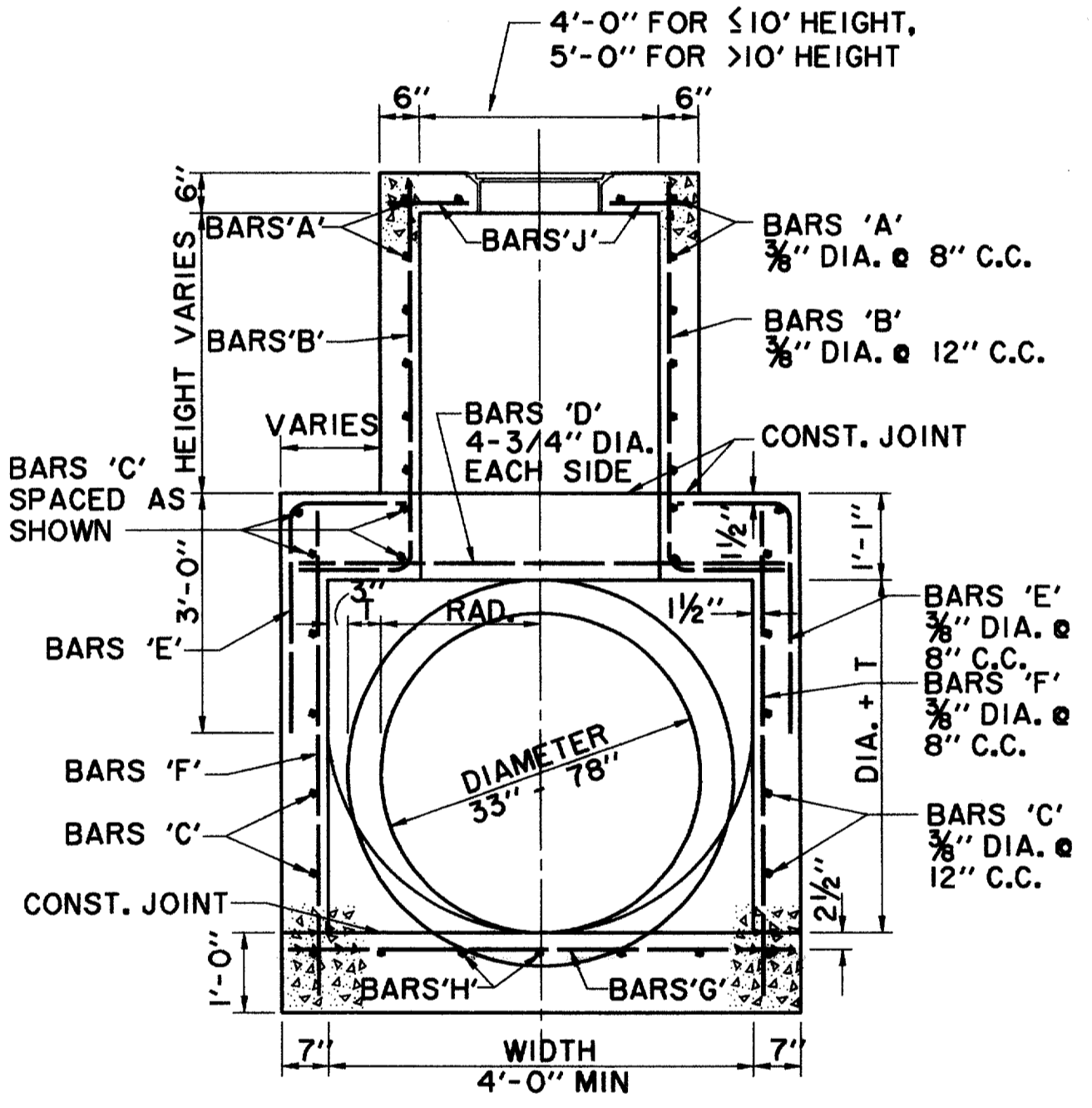
TOP PLAN TYPE A & TYPE B STORM SEWER MANHOLE N.T.S.

NOTE MAXIMUM PIPE SIZE TO BE USED 78"

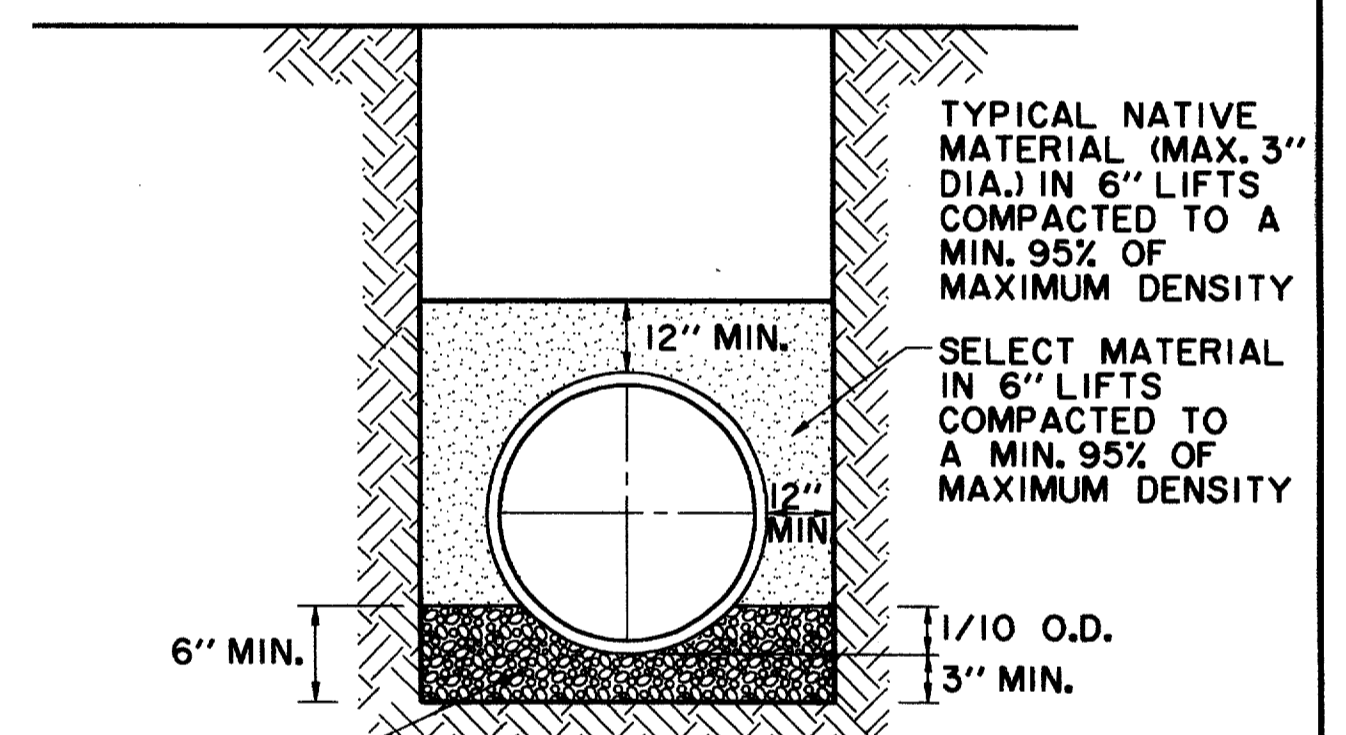
NOTE: MANHOLES AND INLETS GREATER THAN 4' IN DEPTH SHALL HAVE BASS AND HAYS MODEL MA STEPS OR APPROVED EQUAL



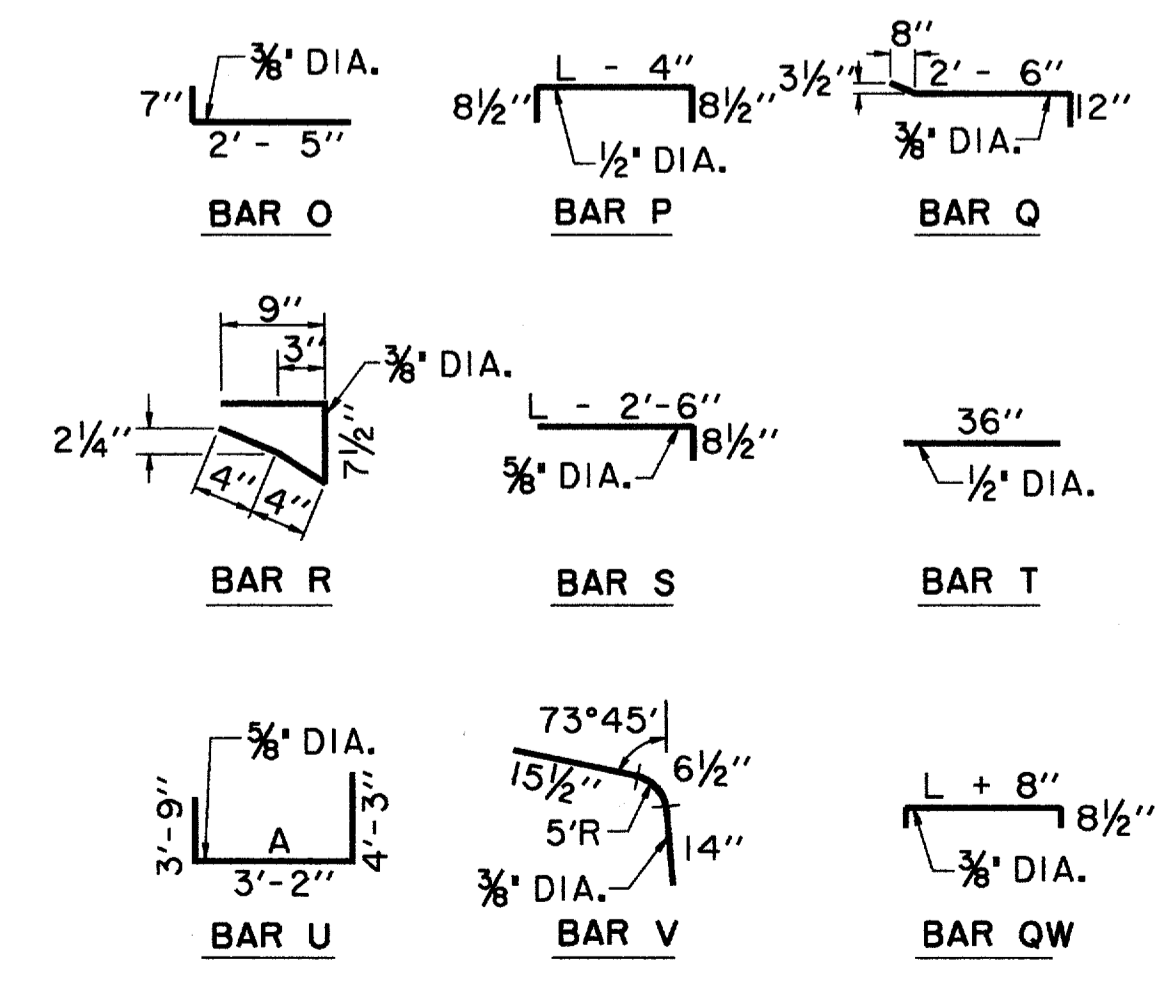
ELEVATION TYPE B STORM SEWER MANHOLE N.T.S.



SECTION B-B TYPE B STORM SEWER MANHOLE N.T.S.



EMBEDMENT DETAIL FOR STORM SEWER N.T.S.



BAR DIAGRAMS (BRICK ON INLET) N.T.S.

NOTE: BAR DESIGNATIONS AND DIMENSIONS ARE DIFFERENT FROM STEEL SCHEDULE FOR REGULAR INLETS.

RECORD DRAWING 5/1/98

ISSUED FOR CONSTRUCTION MARCH 28, 1996

THE SEAL APPEARING ON THIS DOCUMENT WAS AUTHORIZED BY KENNETH A. ROBERTS, P.E. 55446 ON MARCH 28, 1996.



STORM WATER DETAILS						
ADDISON CIRCLE						
PHASE I PUBLIC INFRASTRUCTURE						
TOWN OF ADDISON, TEXAS						
Huitt-Zollars, Inc./Engineering/Architecture Dallas, Fort Worth, Houston, El Paso, Phoenix, Tustin, Ontario, San Clemente						
DESIGN	DRAWN	APPR.	SCALE	DATE	PROJECT NO.	NO.
HZI	HZI	KAR	N.T.S.	JAN 96	1822-04	79 137