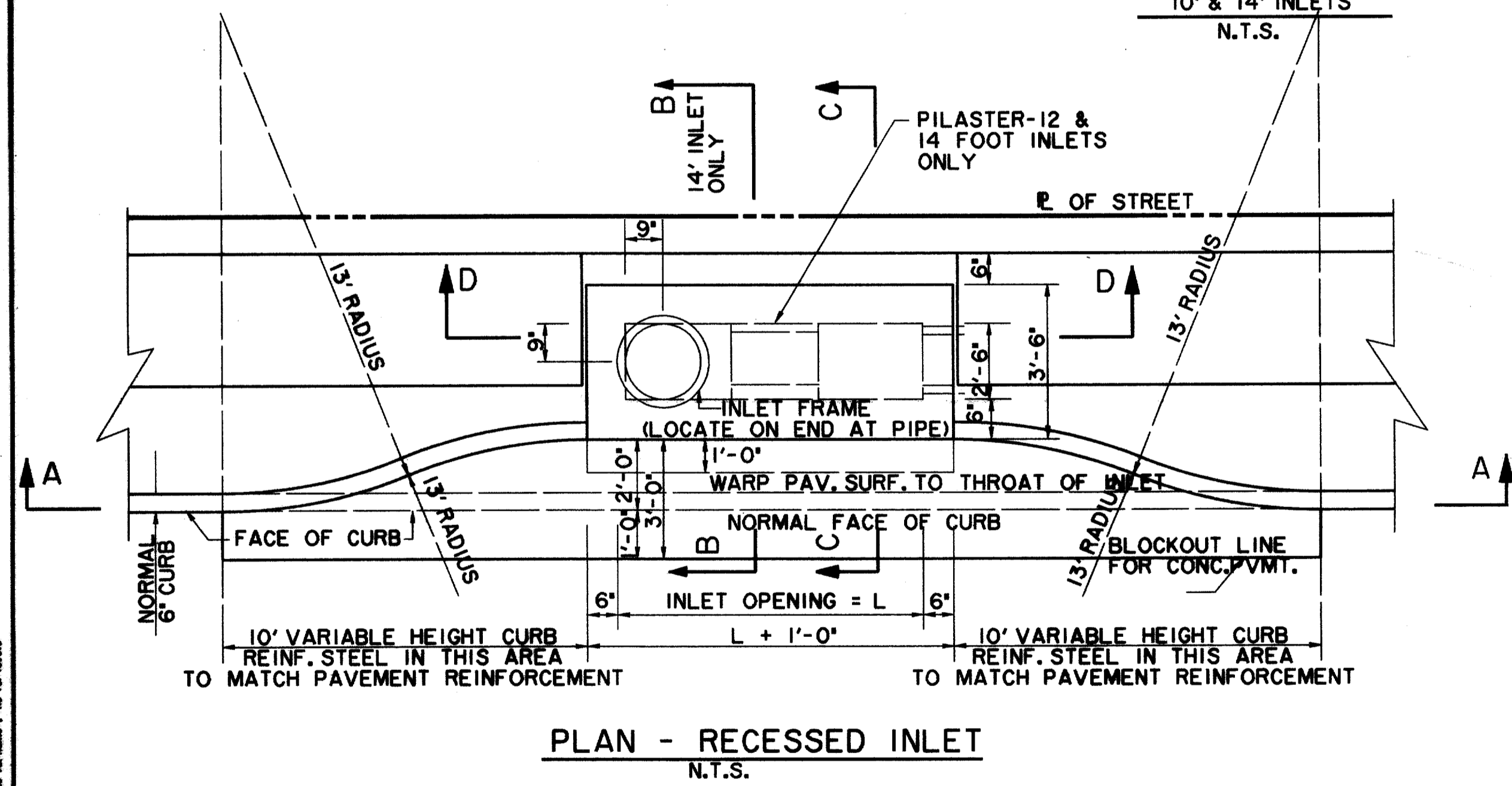
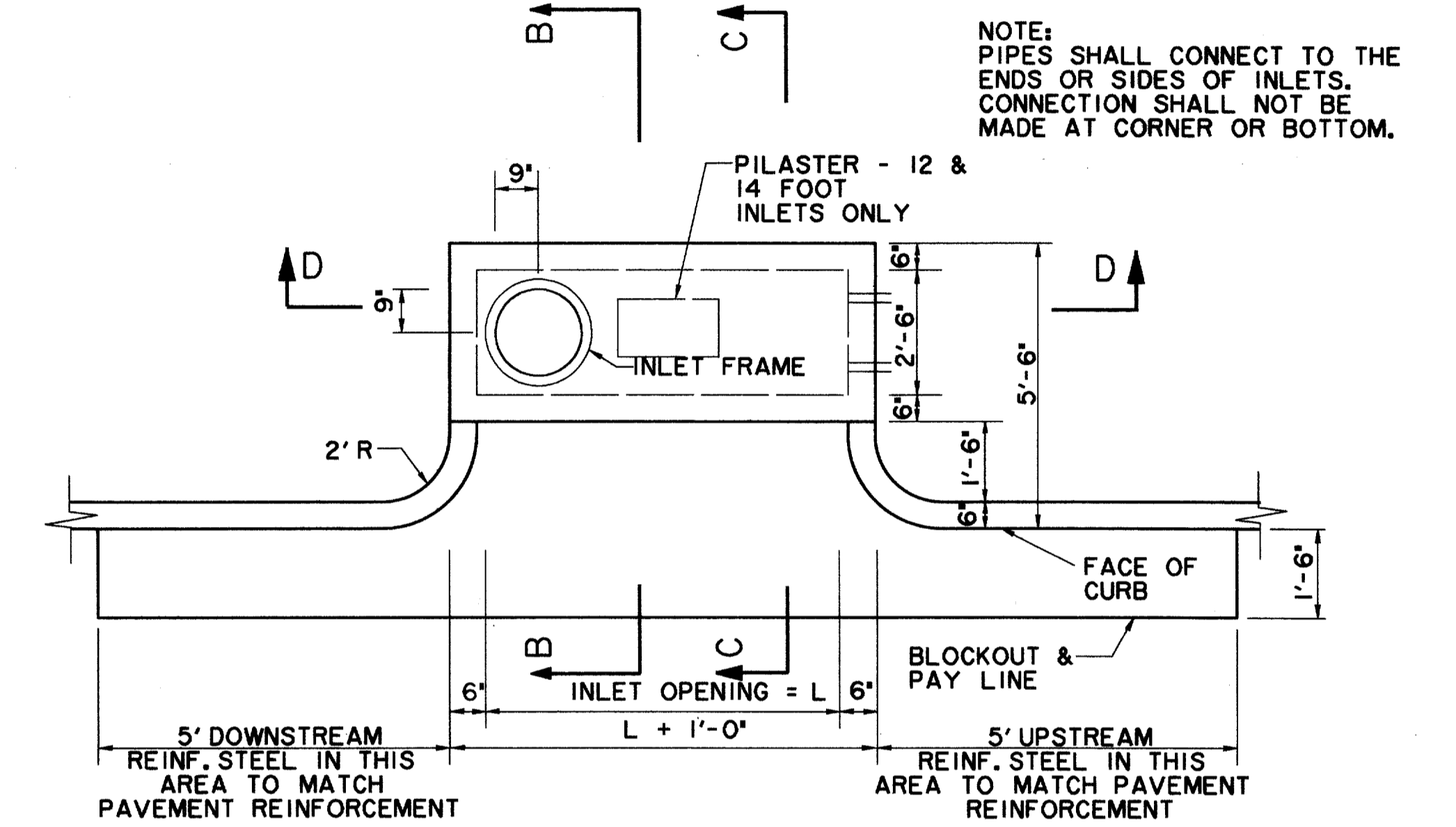
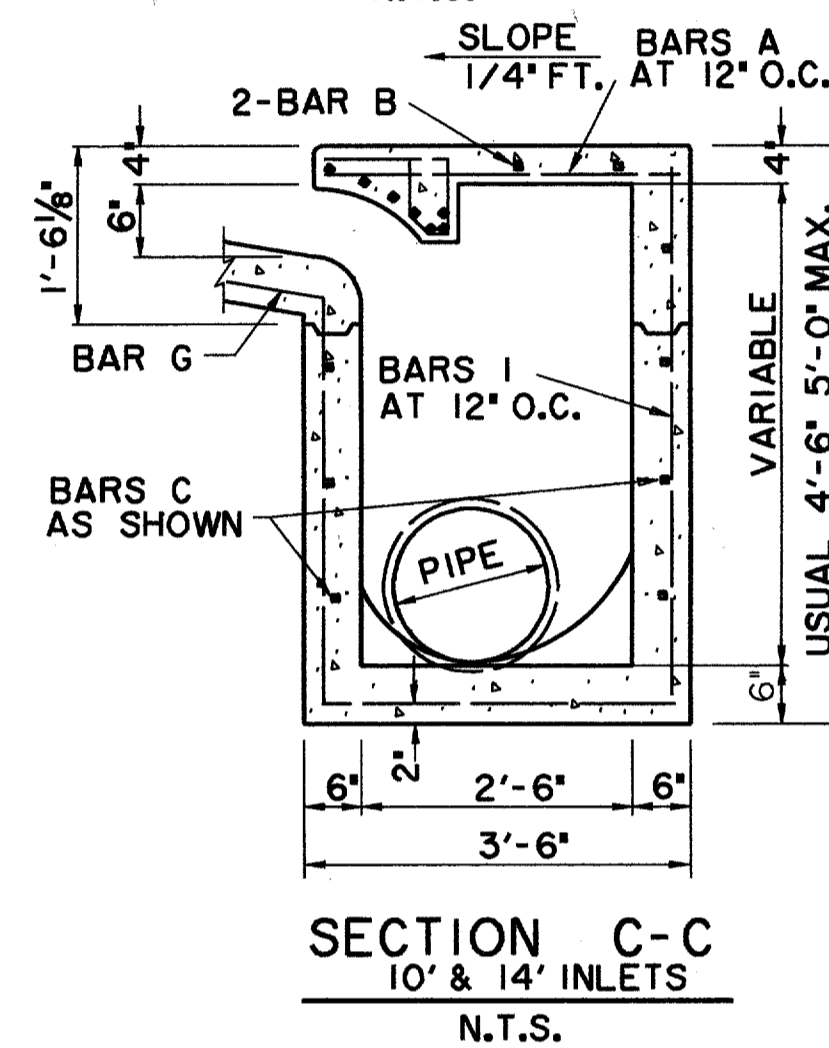
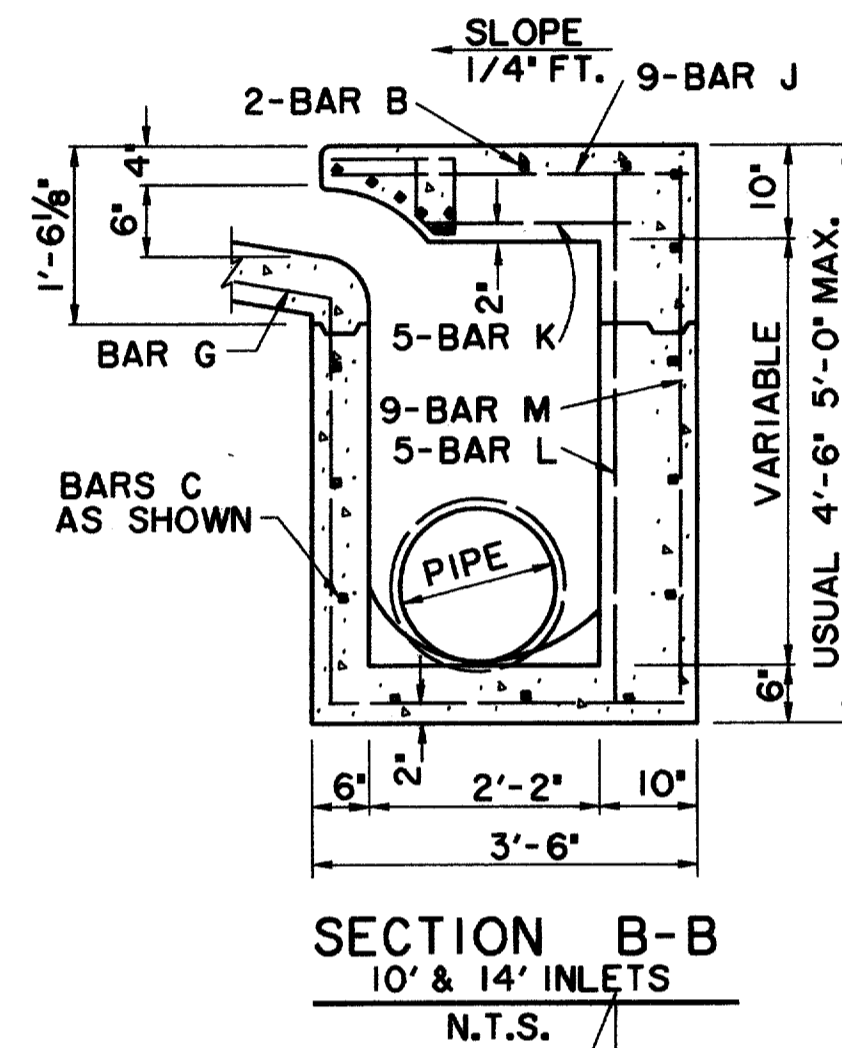
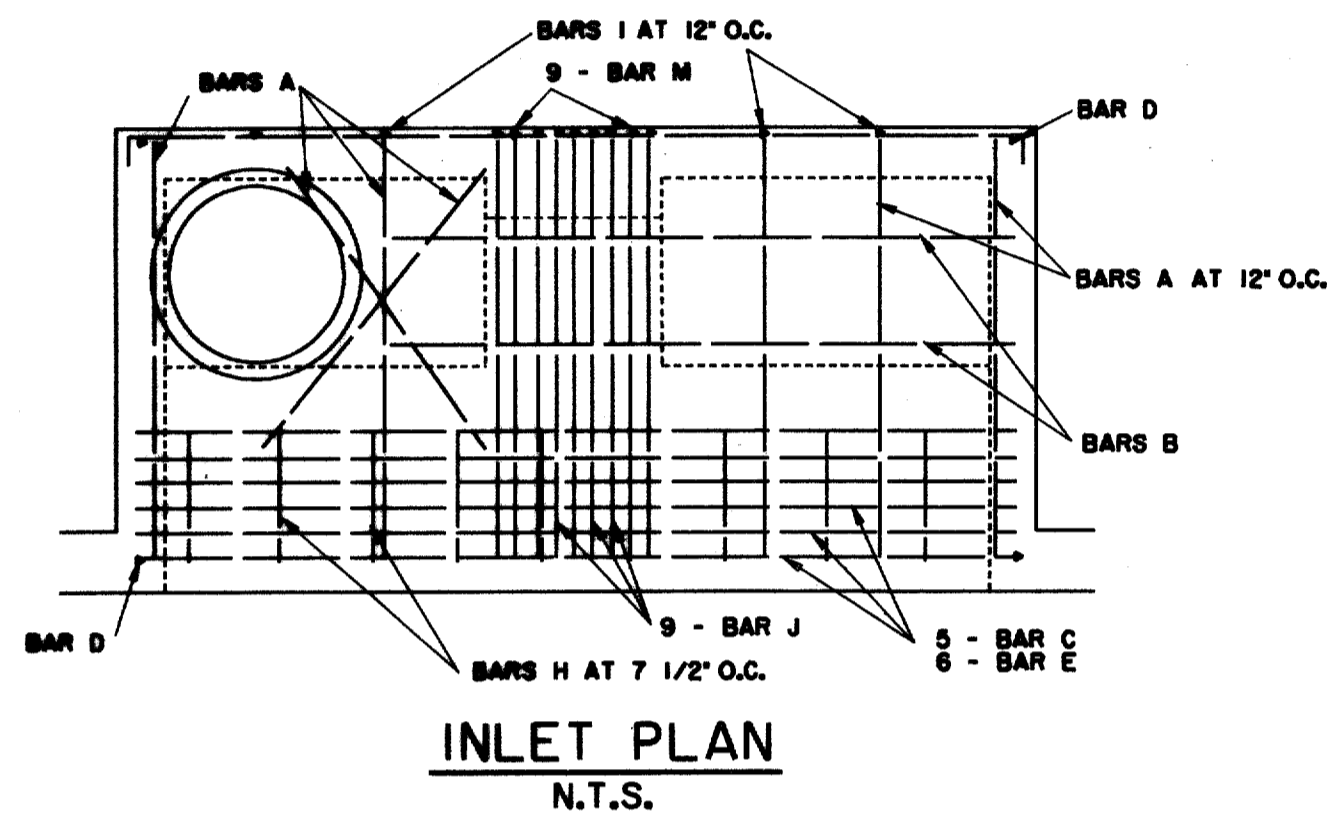
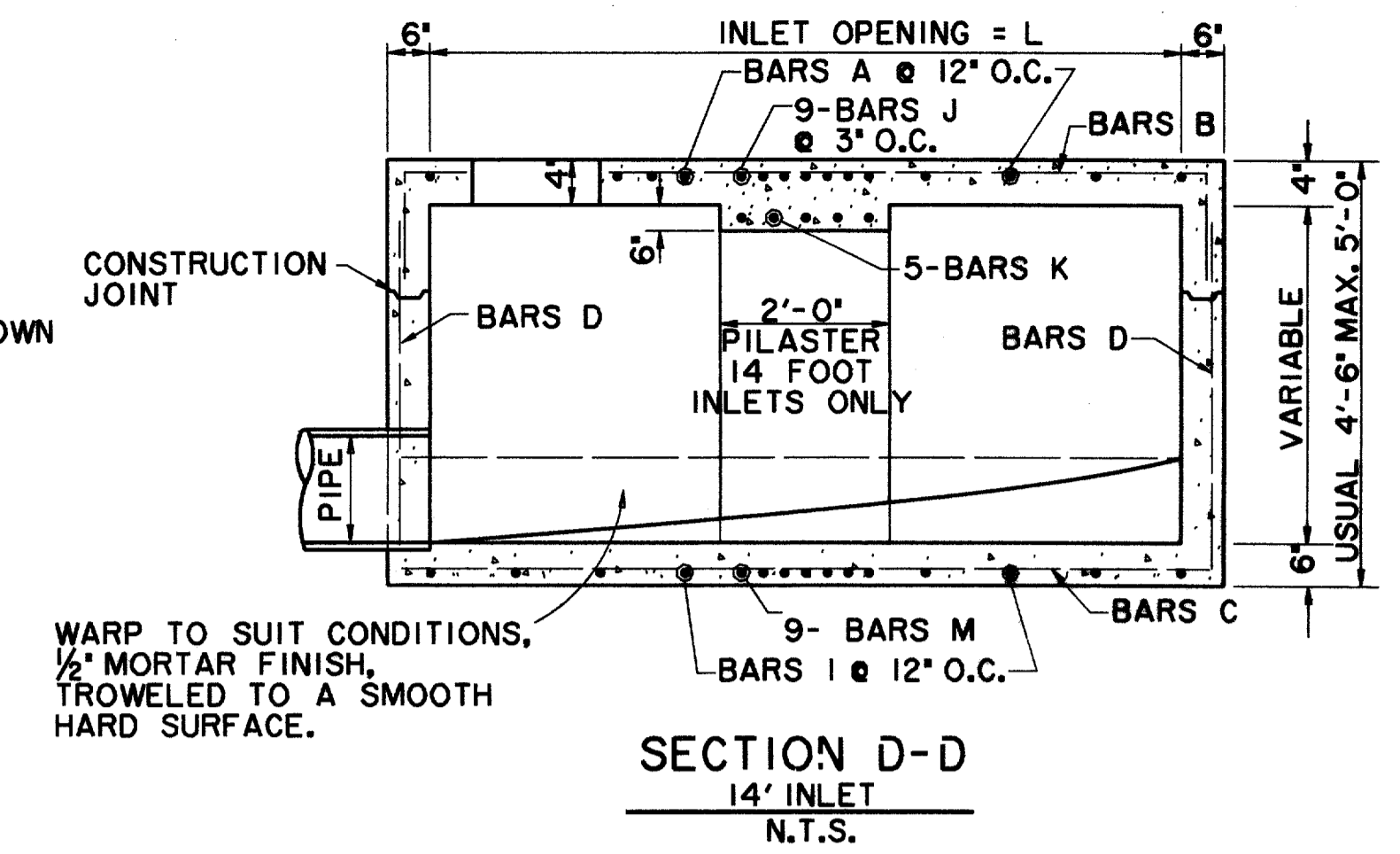
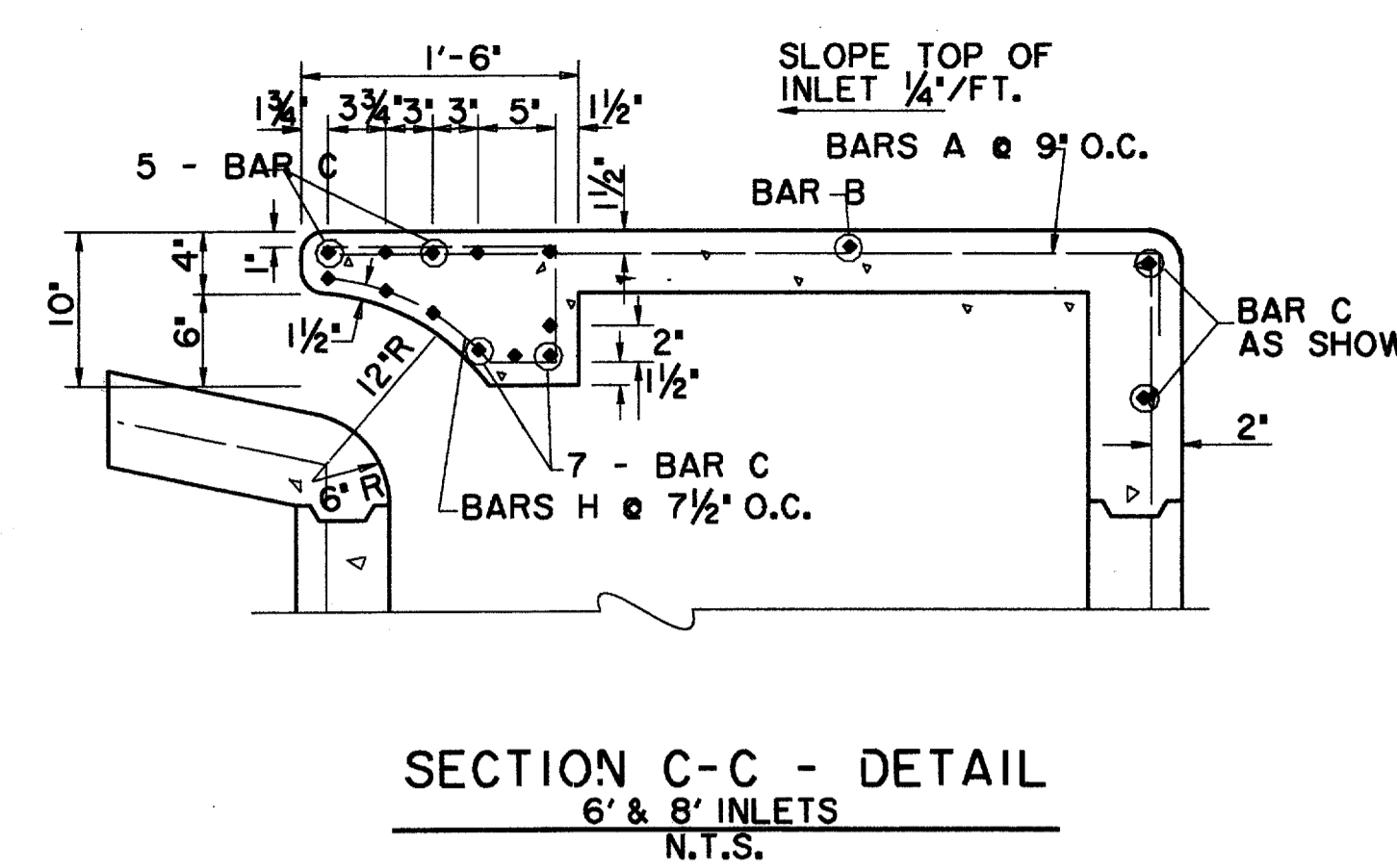
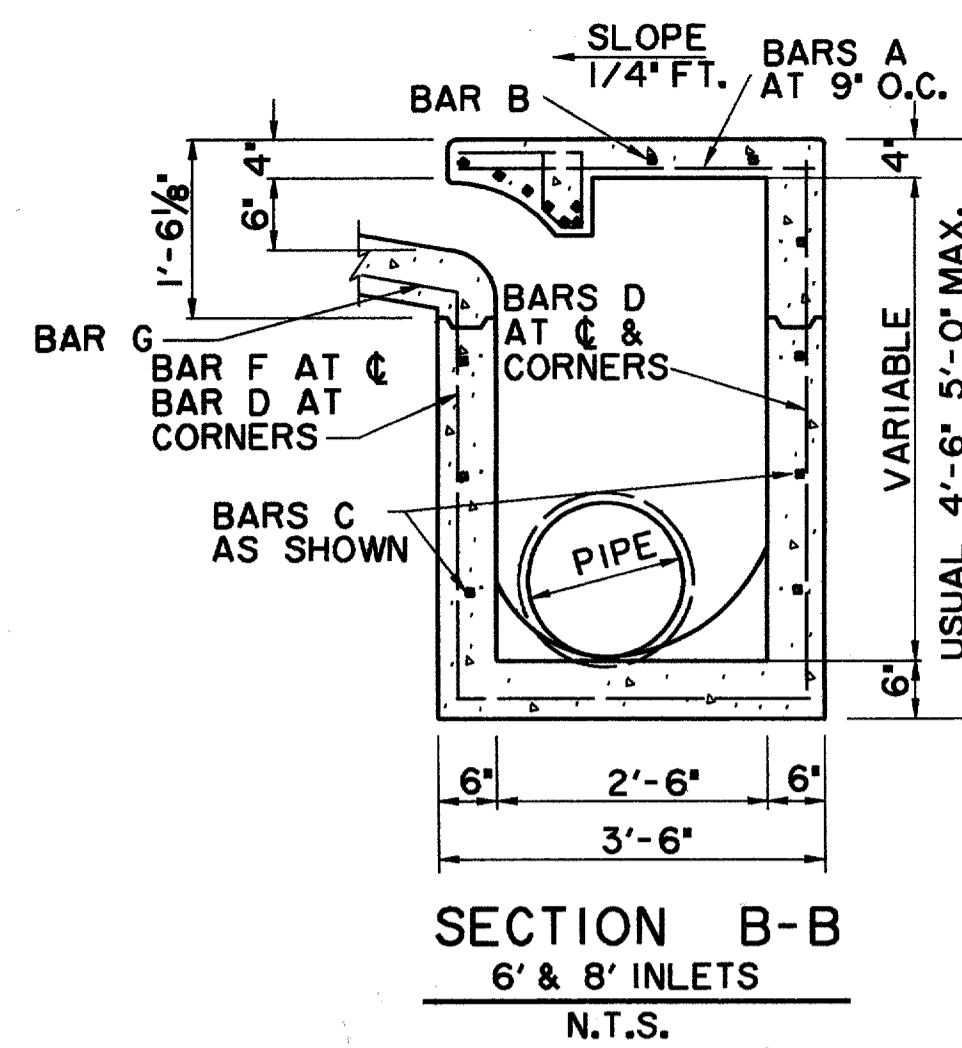
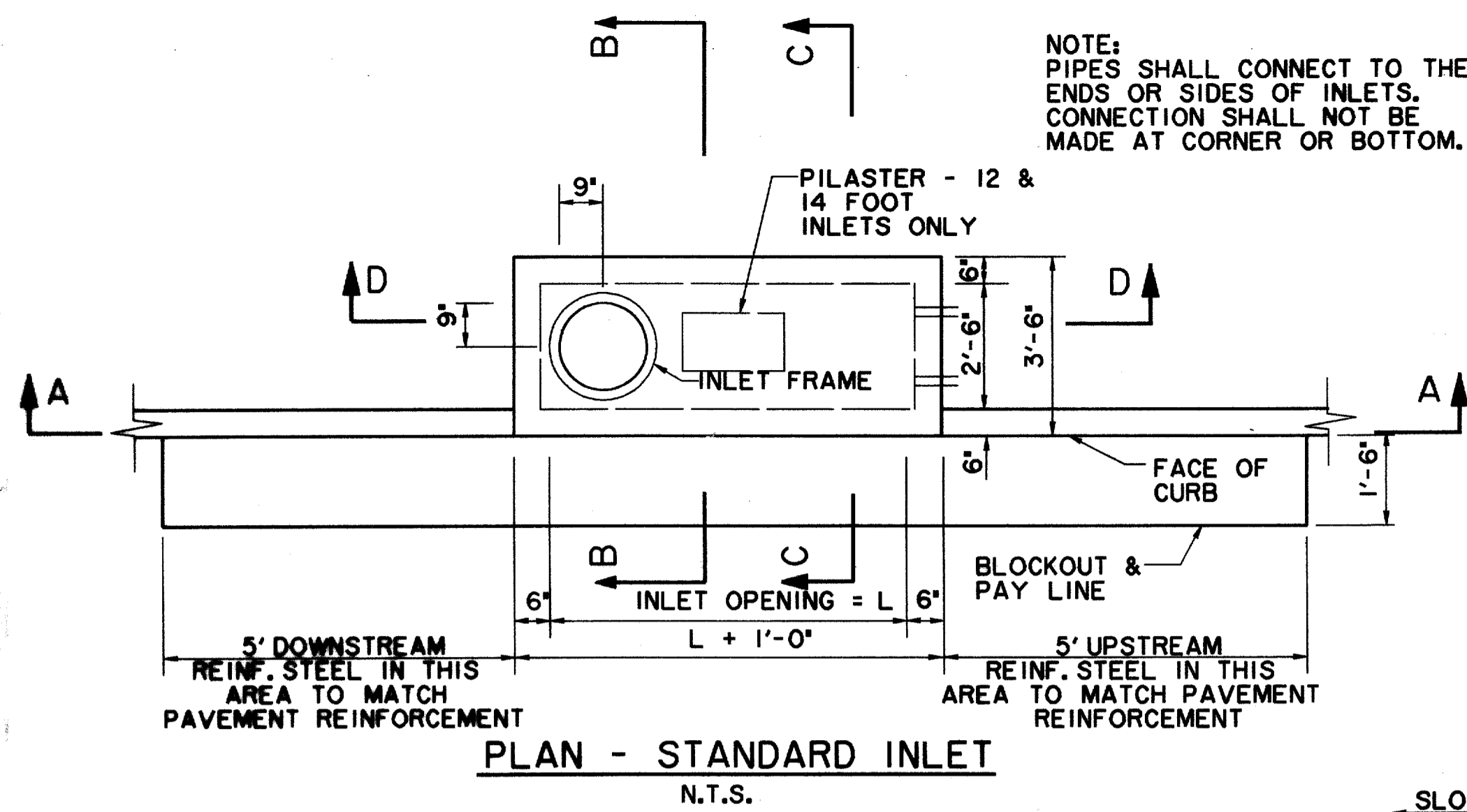


NOTE:
PIPES SHALL CONNECT TO THE
ENDS OR SIDES OF INLETS.
CONNECTION SHALL NOT BE
MADE AT CORNER OR BOTTOM.

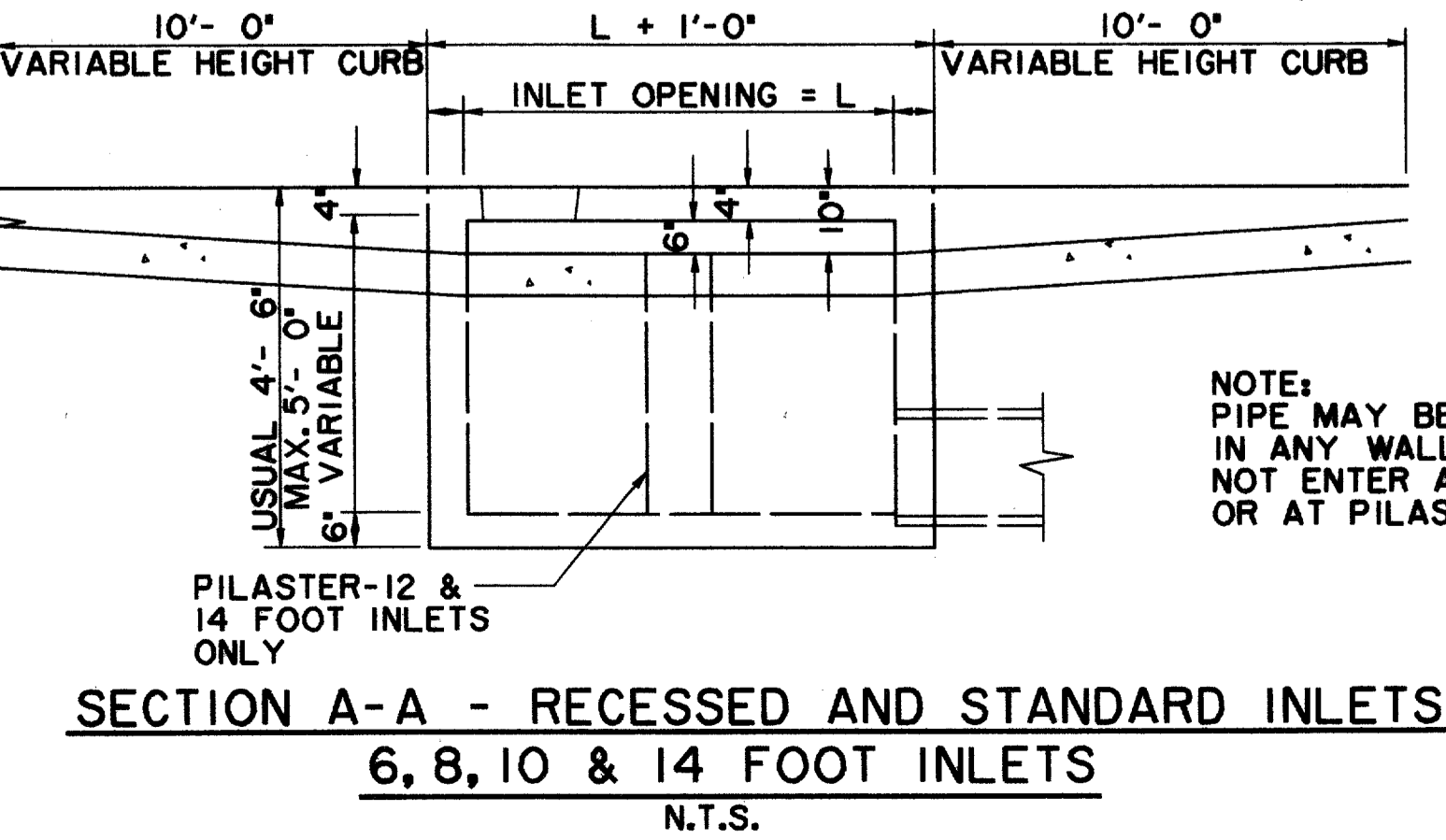
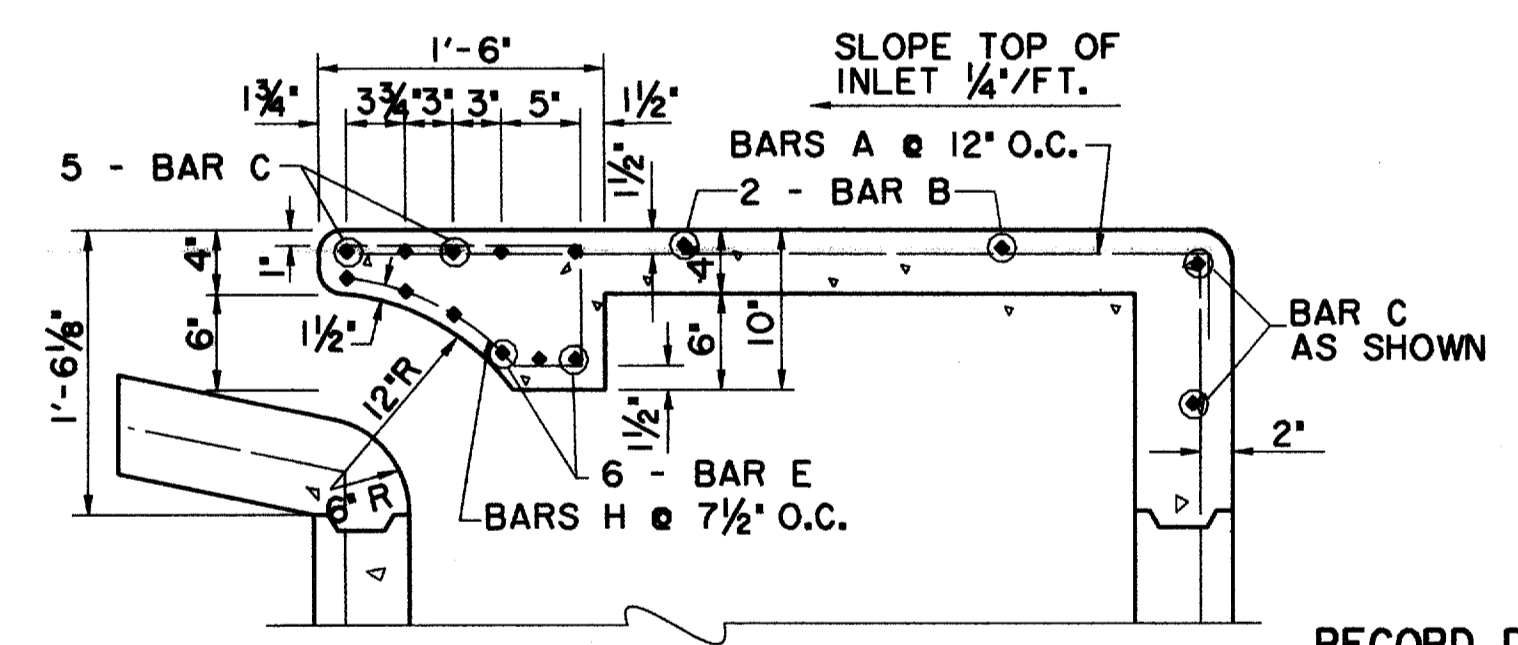
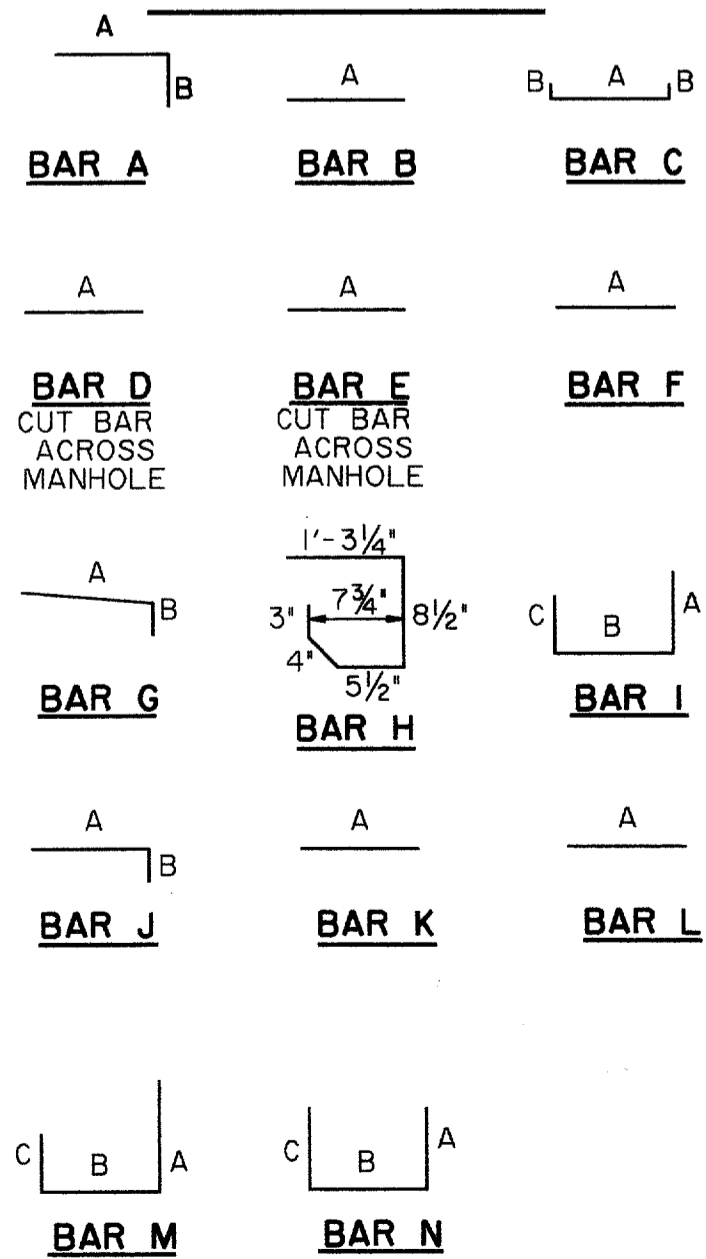


REINFORCING STEEL SCHEDULE

DIMENSION SHOWN ARE FOR MAXIMUM SIZE INLETS

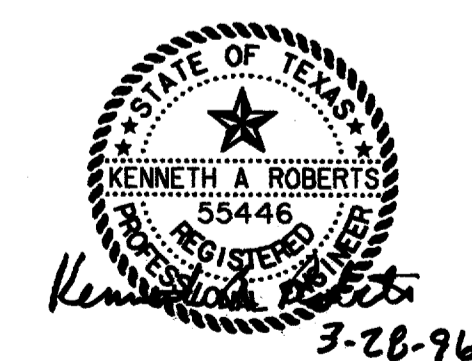
INLET LENGTH	BAR TYPE	BAR DIA. (1/2 IN)	BAR NO. REQ'D	A	B	C
6	A	3	9	3'-2"	0'-3"	
	B	3	1	4'-10"		
	C	4	15	6'-8"	0'-6"	
	D	4	5	4'-8"		
	F	4	1	3'-2"		
	G	3	5	2'-0"	1'-3"	
	H	6	6			
	N	3	3	3'-2"	3'-2"	3'-2"
8	A	3	12	3'-2"	0'-3"	
	B	3	1	6'-10"		
	C	4	15	8'-8"	0'-6"	
	D	4	5	4'-8"		
	F	4	1	3'-2"		
	G	3	5	2'-0"	1'-3"	
	H	6	6			
	N	3	3	3'-2"	3'-2"	3'-2"
10	A	3	10	3'-2"	0'-3"	
	B	3	2	8'-10"		
	C	4	16	10'-8"	0'-6"	
	D	4	4	4'-8"		
	E	5	6	10'-8"		
	G	3	5	2'-0"	1'-3"	
	H	3	15			
	I	4	8	4'-8"	3'-2"	3'-2"
	L	4	5	4'-3"		
12	A	3	12	3'-2"	0'-3"	
	B	3	2	10'-10"		
	C	4	16	12'-8"	0'-6"	
	D	4	4	4'-8"		
	E	5	6	12'-8"		
	G	3	5	2'-0"	1'-3"	
	H	3	18			
	I	4	10	4'-8"	3'-2"	3'-2"
	J	5	9	3'-2"	1'-3"	
	K	4	5	2'-3"		
	L	4	5	4'-3"		
	M	5	9	4'-3"	3'-2"	3'-9"
14	A	3	14	3'-2"	0'-3"	
	B	3	2	10'-10"		
	C	4	16	14'-8"	0'-6"	
	D	4	4	4'-8"		
	E	5	6	14'-8"		
	G	3	5	2'-0"	1'-3"	
	H	3	21			
	I	4	12	4'-8"	3'-2"	3'-2"
	J	5	9	3'-2"	1'-3"	
	K	4	5	2'-3"		
	L	4	5	4'-3"		
	M	5	9	4'-3"	3'-2"	3'-9"

BAR DIAGRAMS



NOTE:
PIPE MAY BE PLACED
IN ANY WALL BUT SHALL
NOT ENTER ANY CORNER,
OR AT PILASTER

ISSUED FOR CONSTRUCTION
MARCH 28, 1996
THE SEAL APPEARING ON THIS
DOCUMENT WAS AUTHORIZED BY
KENNETH A. ROBERTS, P.E. 55446
ON MARCH 28, 1996.



STORM WATER DETAILS
ADDISON CIRCLE
PHASE I PUBLIC INFRASTRUCTURE
TOWN OF ADDISON, TEXAS

Hullitt-Zollars, Inc./Engineering/Architecture
Dallas, Fort Worth, Houston, El Paso, Phoenix, Austin, Ontario, San Clemente

DESIGN	DRAWN	APPR.	SCALE	DATE	PROJECT NO.	NO.
HZI	HZI	KAR	N.T.S.	JAN 96	1822-04	80

SEE DIAGRAM FOR DIMENSIONS