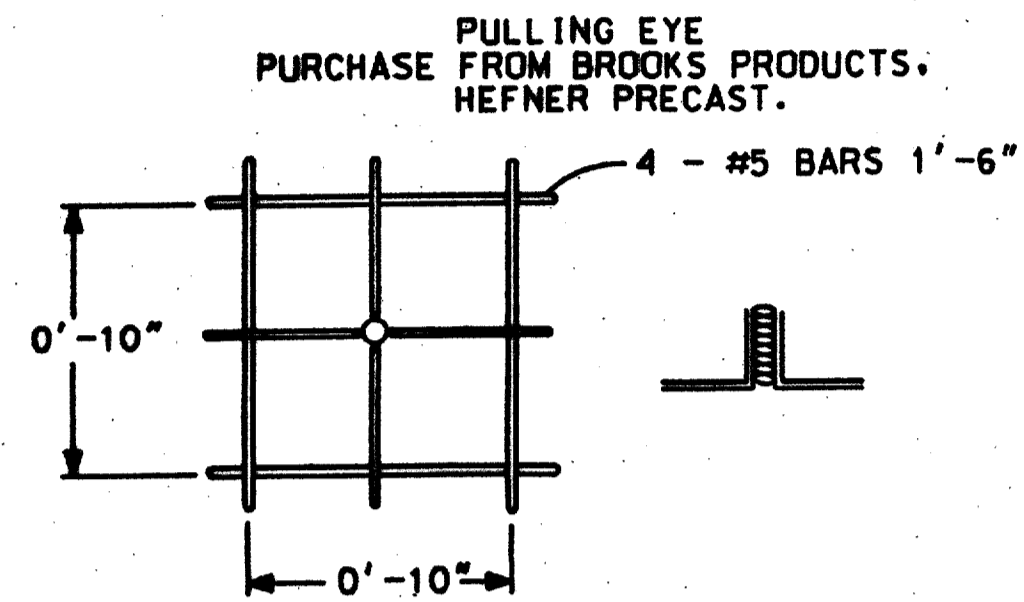
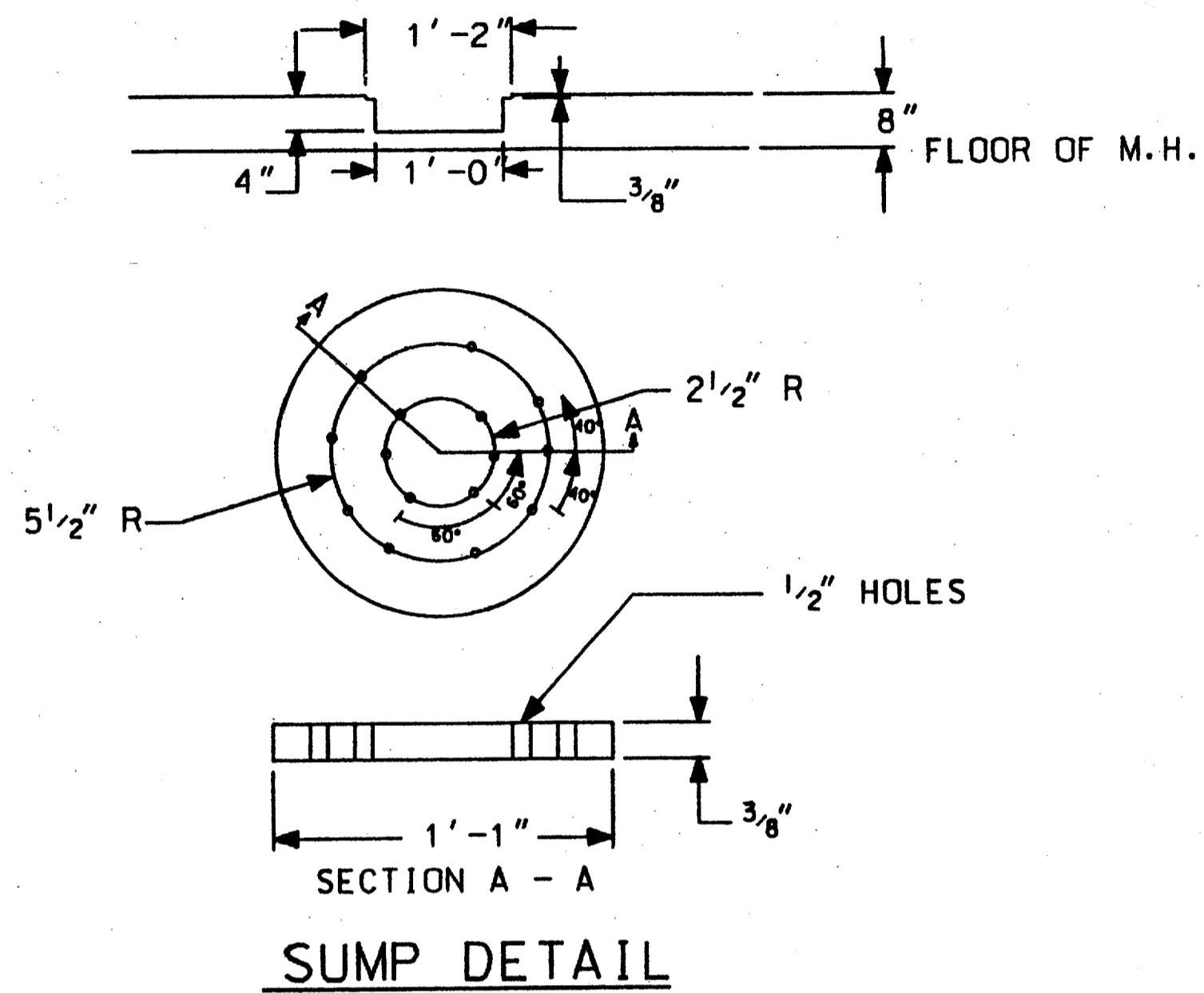


DETAIL # 12



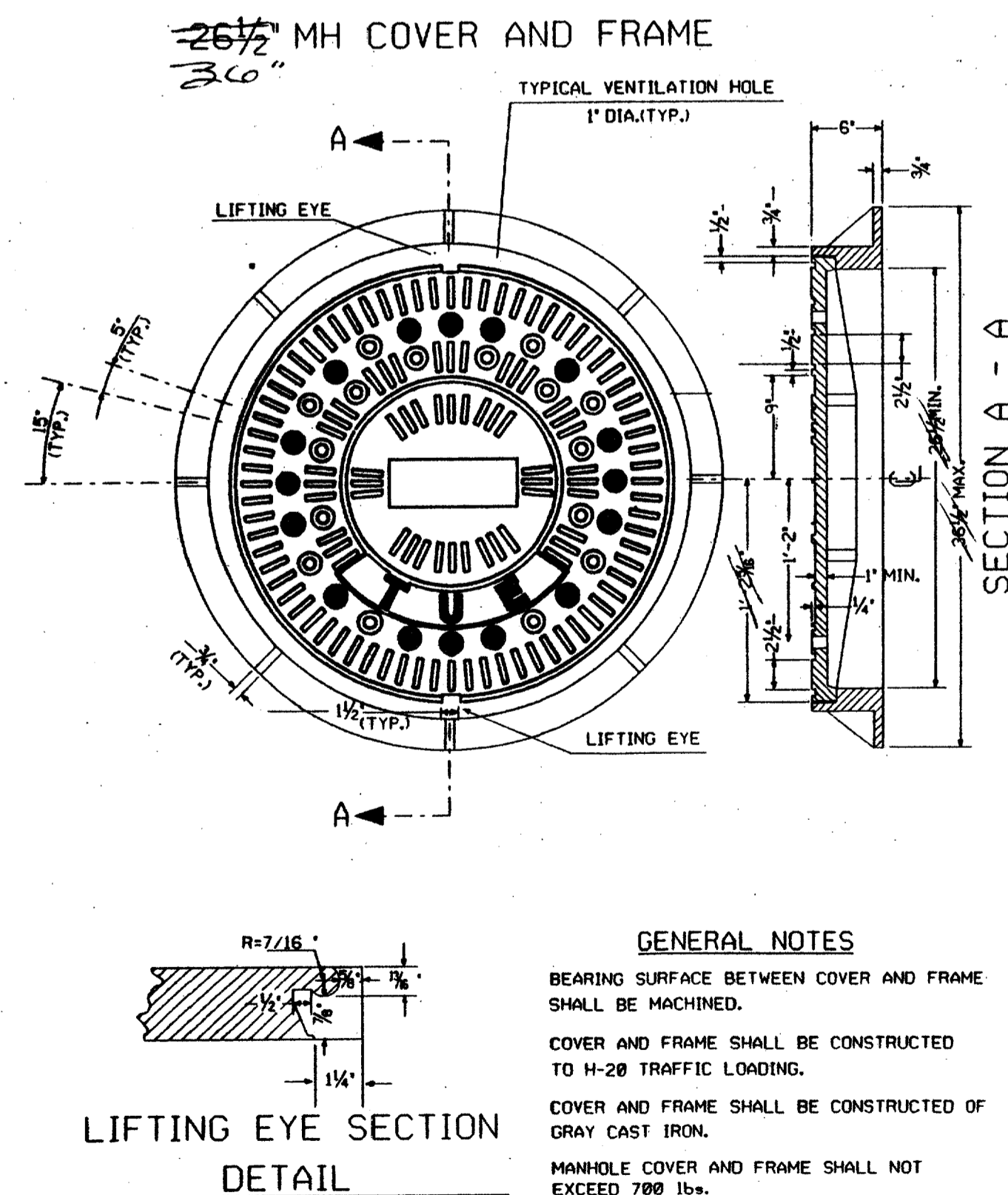
PULLING EYE DETAIL

DETAIL # 14



SUMP DETAIL

DETAIL # 15

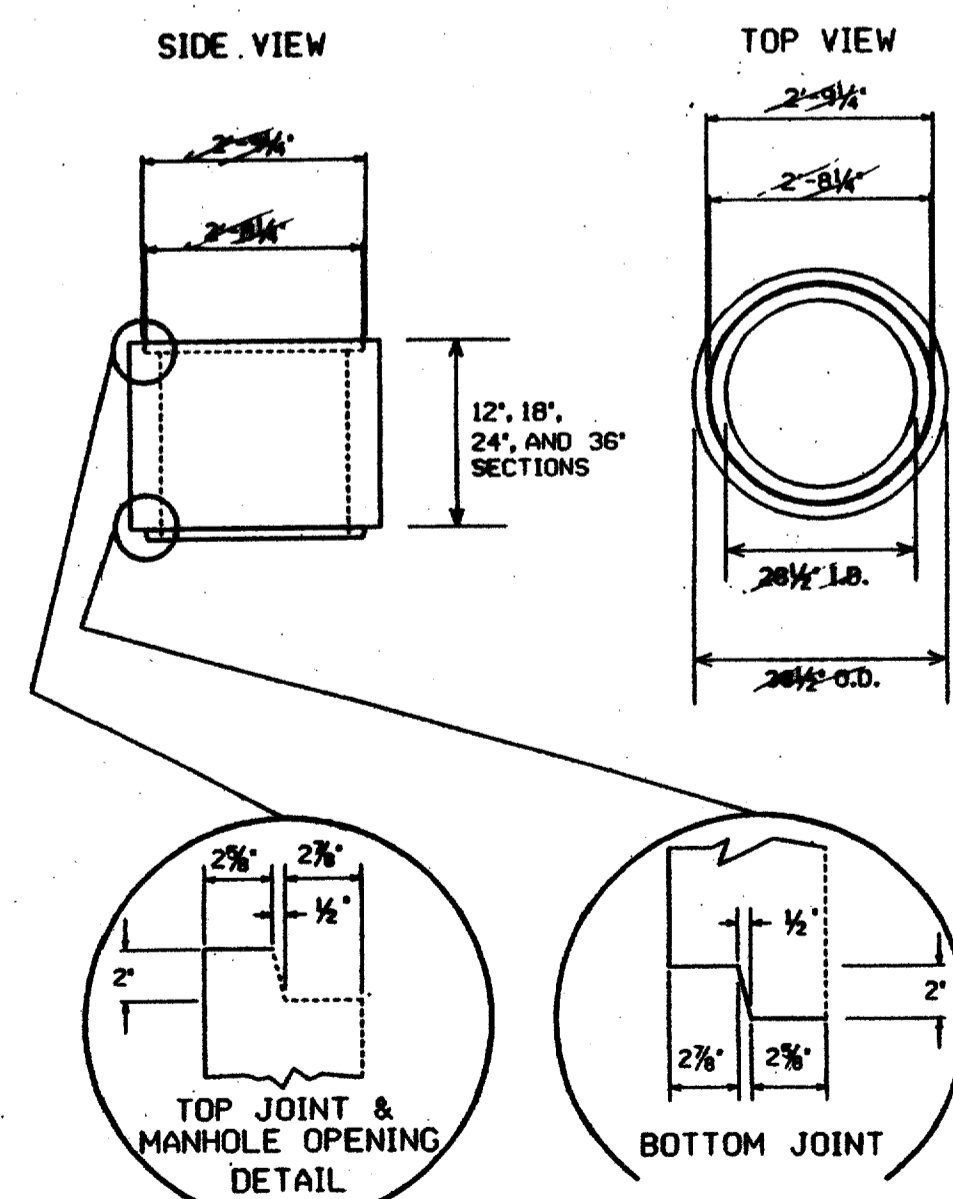


GENERAL NOTES

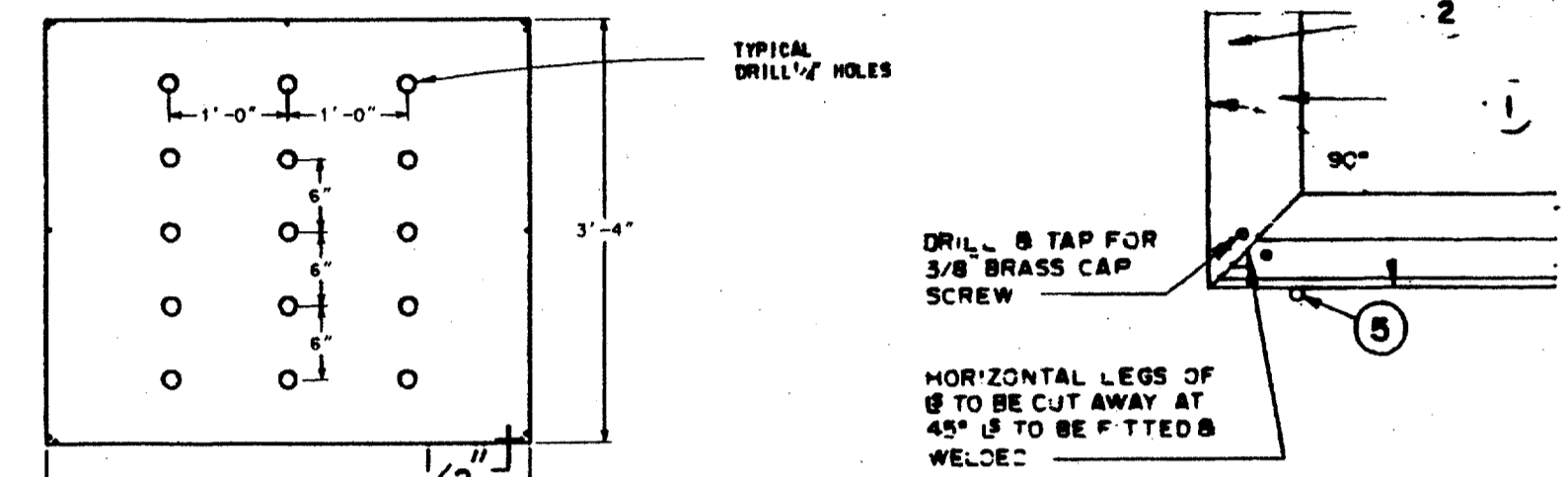
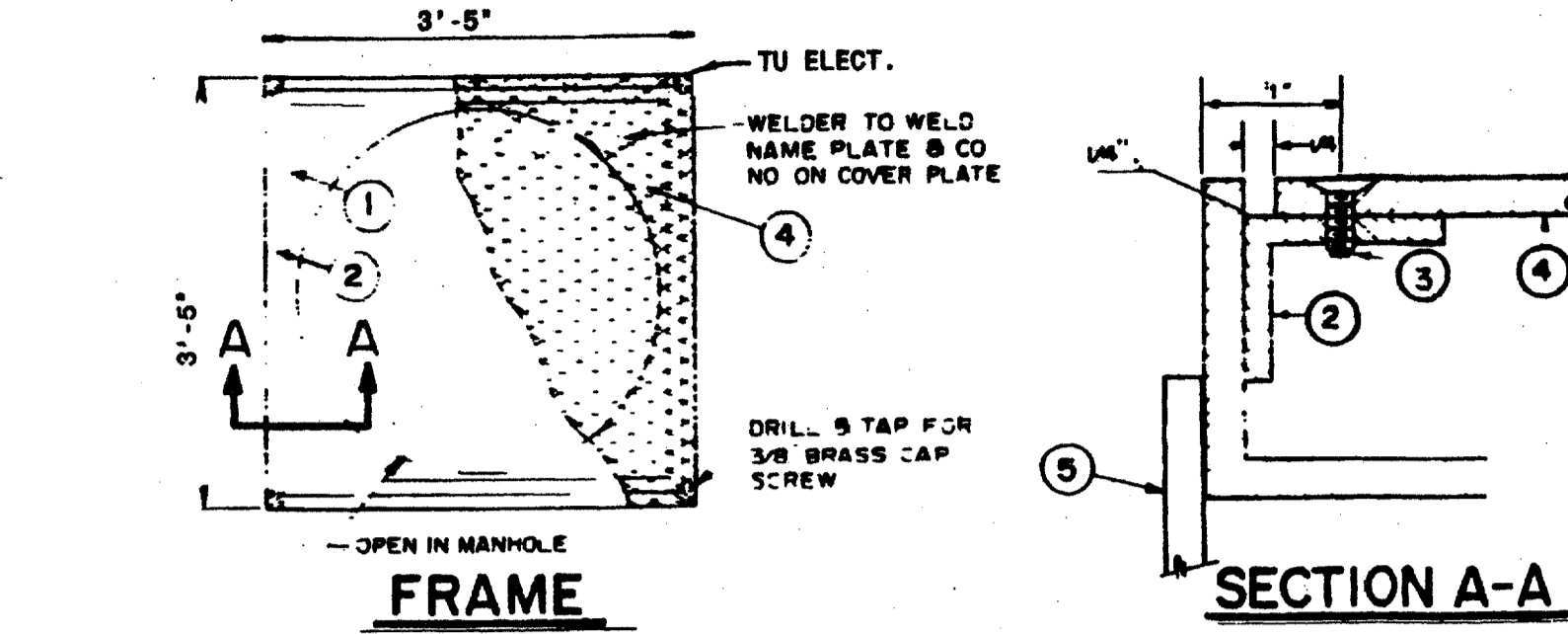
BEARING SURFACE BETWEEN COVER AND FRAME SHALL BE MACHINED.
COVER AND FRAME SHALL BE CONSTRUCTED TO H-20 TRAFFIC LOADING.
COVER AND FRAME SHALL BE CONSTRUCTED OF GRAY CAST IRON.
MANHOLE COVER AND FRAME SHALL NOT EXCEED 700 LBS.

DETAIL # 13

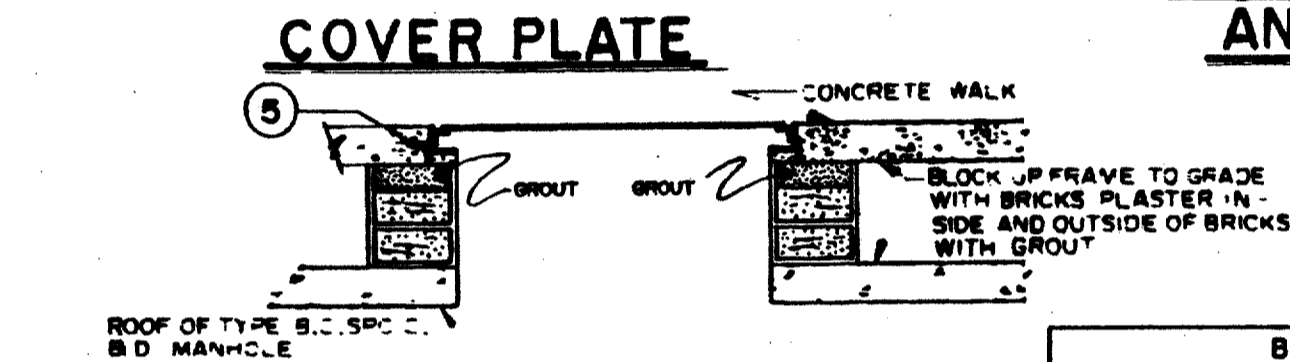
36" 26 1/2" NECK DETAIL (PRECAST)



DETAIL # 16
- FABRICATION & INSTALLATION DETAILS -
FOR SIDEWALK MANHOLE COVER



CORNER DETAIL OF ANGLE FRAME

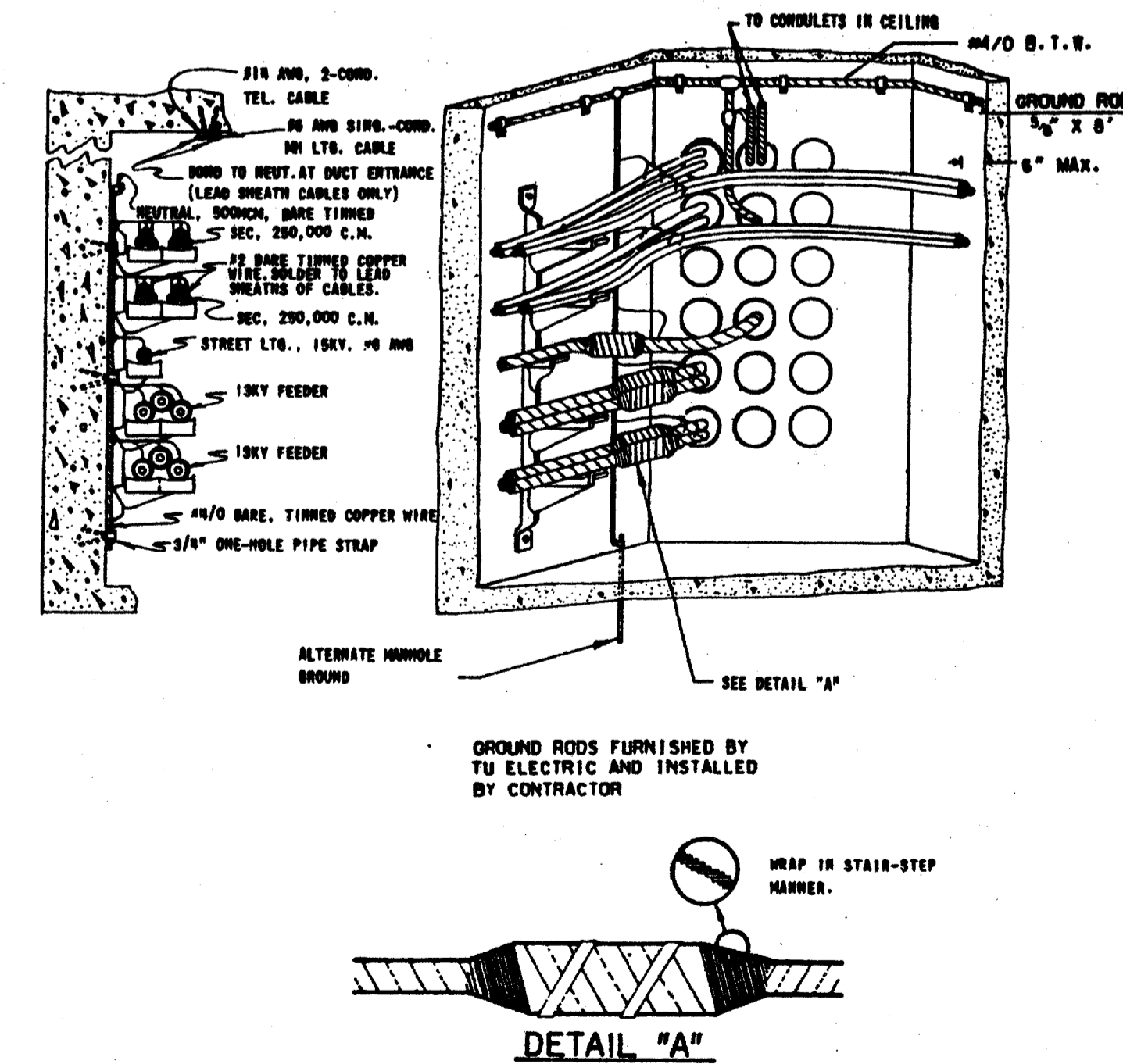


TYPICAL INSTALLATION

BILL OF MATERIAL			
ITEM	QUAN	DESCRIPTION	STR. NO.
1	4	2 1/2" x 2 1/2" x 1/2" x 3'-5" LONG	
2	4	1 1/2" x 1 1/2" x 3/8" x 3'-4" LONG	
3	2	3/8" x 3/8" x BRASS CAP SCREWS PLAT HEADS	
4	1	3'-4" x 3'-4" x 3/8" x 3/8" NO DRILL STEEL PLATE	
5	4	#5 BAR - 2 1/2"	

DETAIL # 17

TYPICAL MANHOLE SHOWING GROUNDING DETAILS



DETAIL "A"

TU ELECTRIC

SCALE (H=NO SCALE) (V=NO SCALE) LIST OF DRAWINGS UNIT ID DWG TYPE ESTIMATE W.A. DATE NO. DATE W.A. NO. DATE W.A. NO. DATE

REVISION DESCRIPTION

DRAWN CH. APP. APP. APP.

DATE 05-12-92 OWN. MED CH. JRC ENG. JRC APP. JES APP. PRN

E-NUA-1
SHEET NO. 7