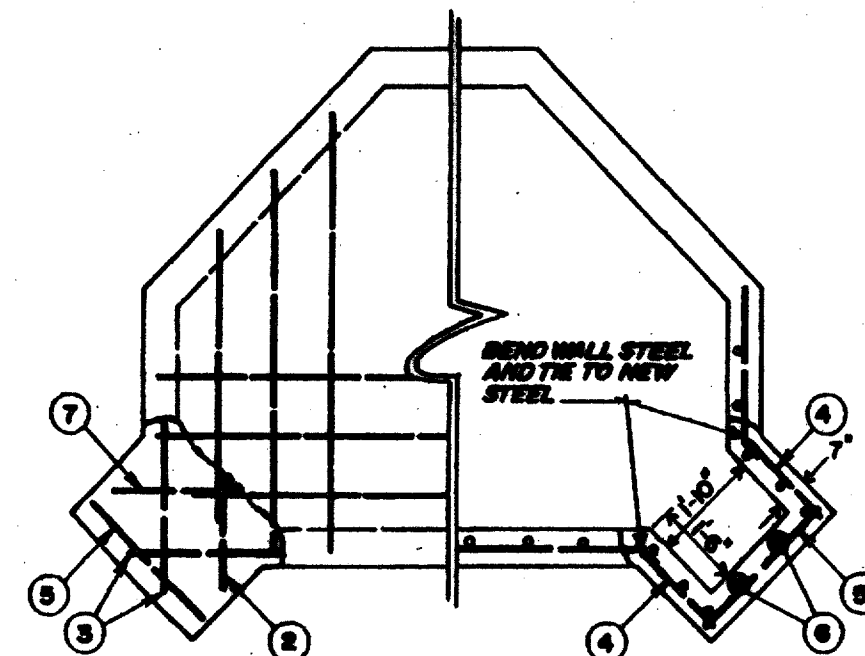
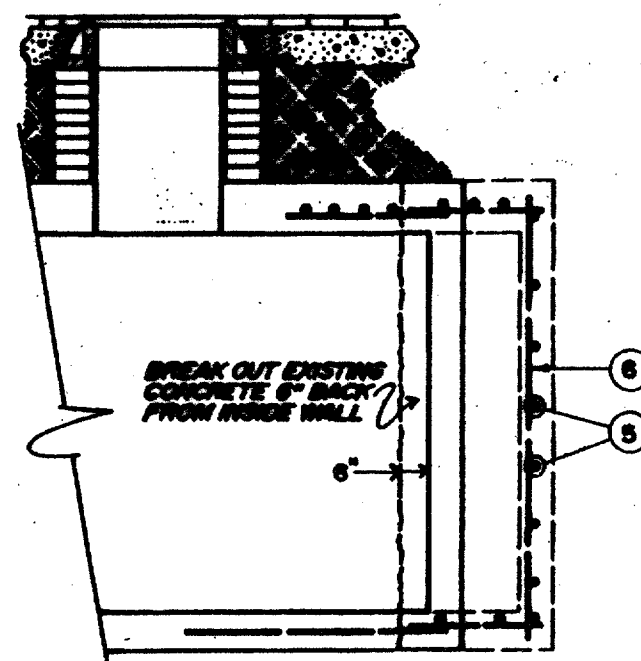


TYPICAL ROOF



TYPICAL FLOOR / WALL

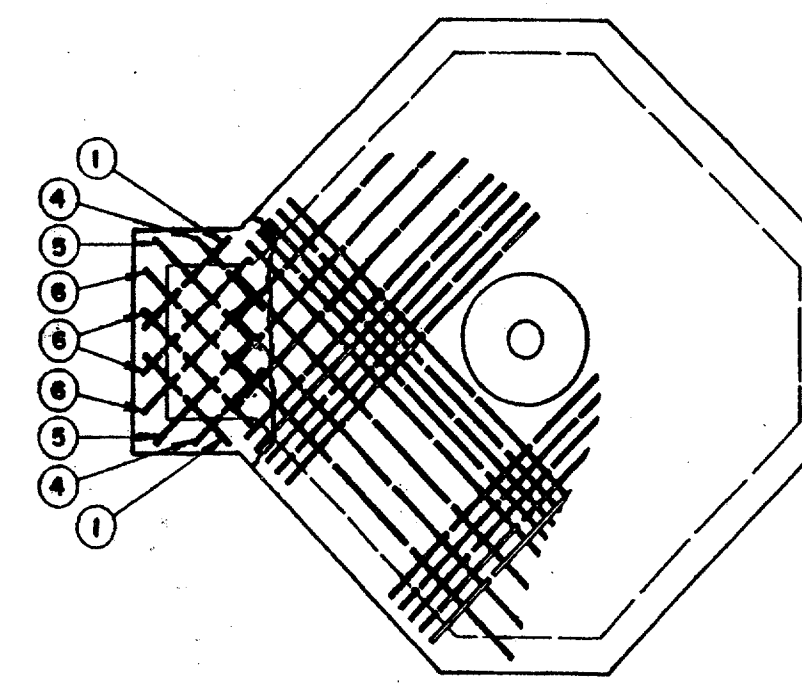


FLOOR / ROOF / WALL VIEW

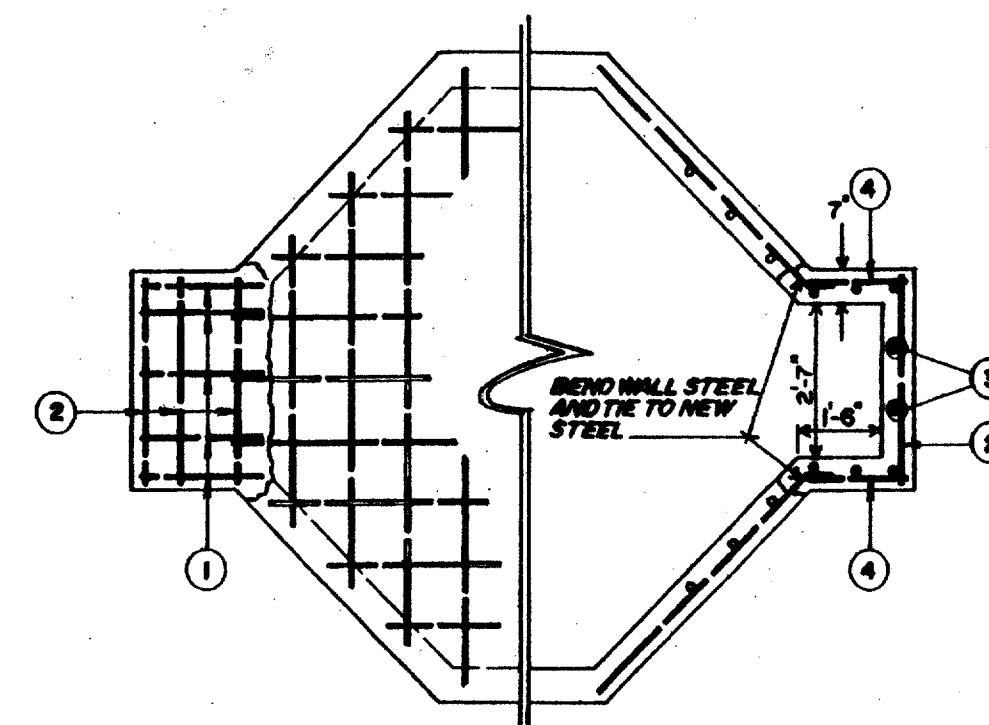
ITEM	LENGTH			QUANTITY		
	FL	HL	WALL	FLOOR	WALL	WALL
1	2	9			4	4
2	2	3	1		6	7
3	3	0	2			2
4	2	0	2	10	2	22
5	2	11	1	6	1	8
6	7	3		8		8
7	2	5	1			1

DEEP PANELS ON NEW OR EXISTING TYPE
"C" AND "B" - See Job Sketch

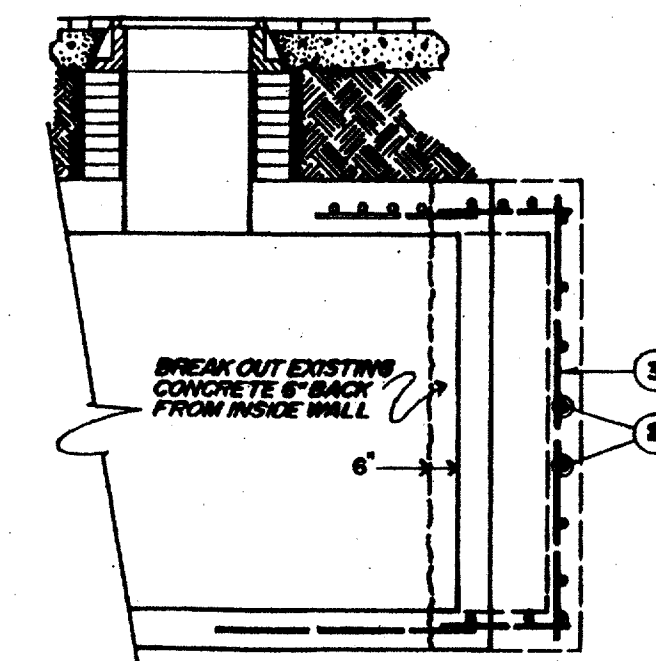
DETAIL #21



TYPICAL ROOF



TYPICAL FLOOR / WALL



FLOOR / ROOF / WALL VIEW

ITEM	LENGTH			QUANTITY		
	FL	HL	WALL	FLOOR	WALL	WALL
1	2	3	5		2	7
2	3	6	3	7		10
3	7	3		8		8
4	1	9		4	2	16
5	2	6			2	2
6	2	9			4	4

DEEP PANELS ON NEW OR EXISTING TYPE
"B", "C" AND "D" - See Job Sketch

TU ELECTRIC		UNIT ID	W.A.	ESTIMATE	DWG TYPE	UNIT ID
		REVISION DESCRIPTION	W.A.	NO.	DATE	APP. PRN
DATE	05-12-92	DWN. MED	CH. JRC	ENG. JRC	APP. JES	APP. PRN
NETWORK UNDERGROUND APPURTENANCE SHEETS MISCELLANEOUS DETAILS						
SCALE (H=HO SCALE) (V=VO SCALE) LIST OF DRAWINGS						
E-NUA-1 SHEET NO. 9						