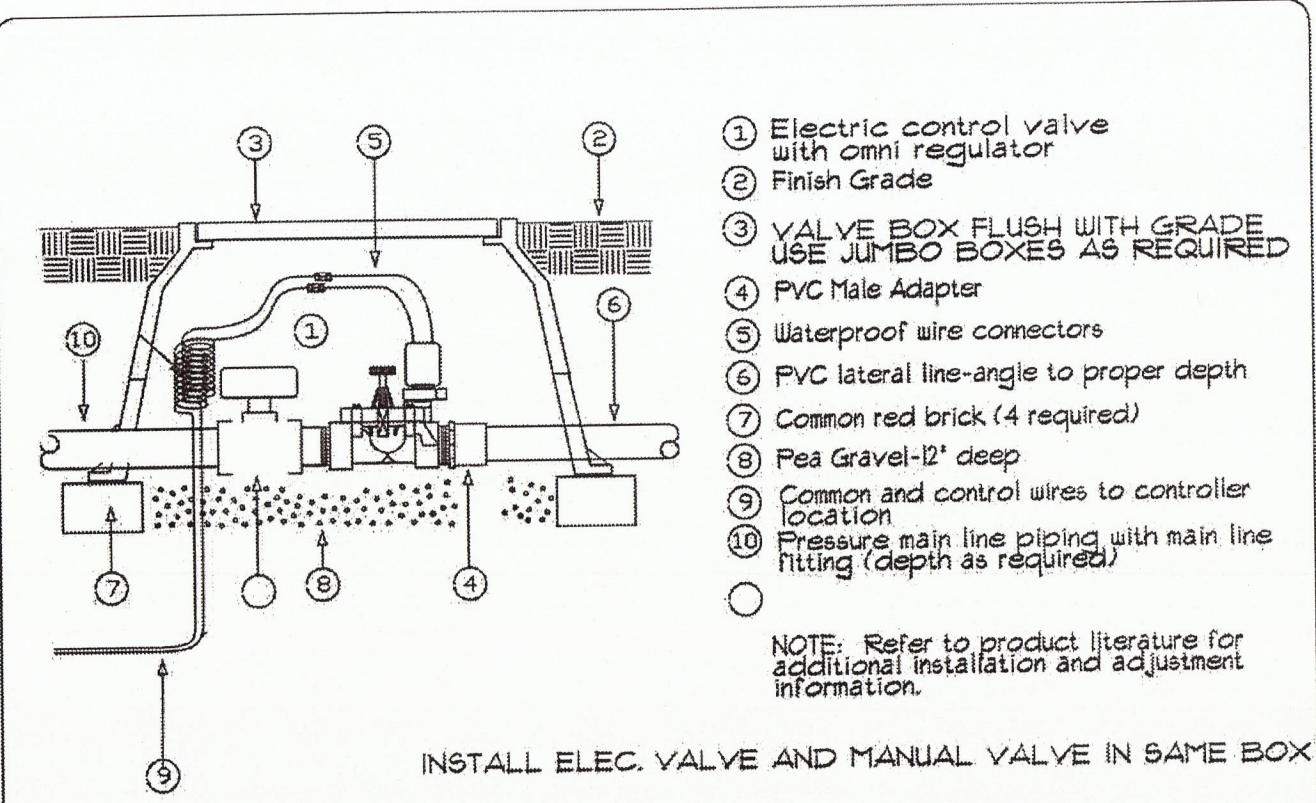
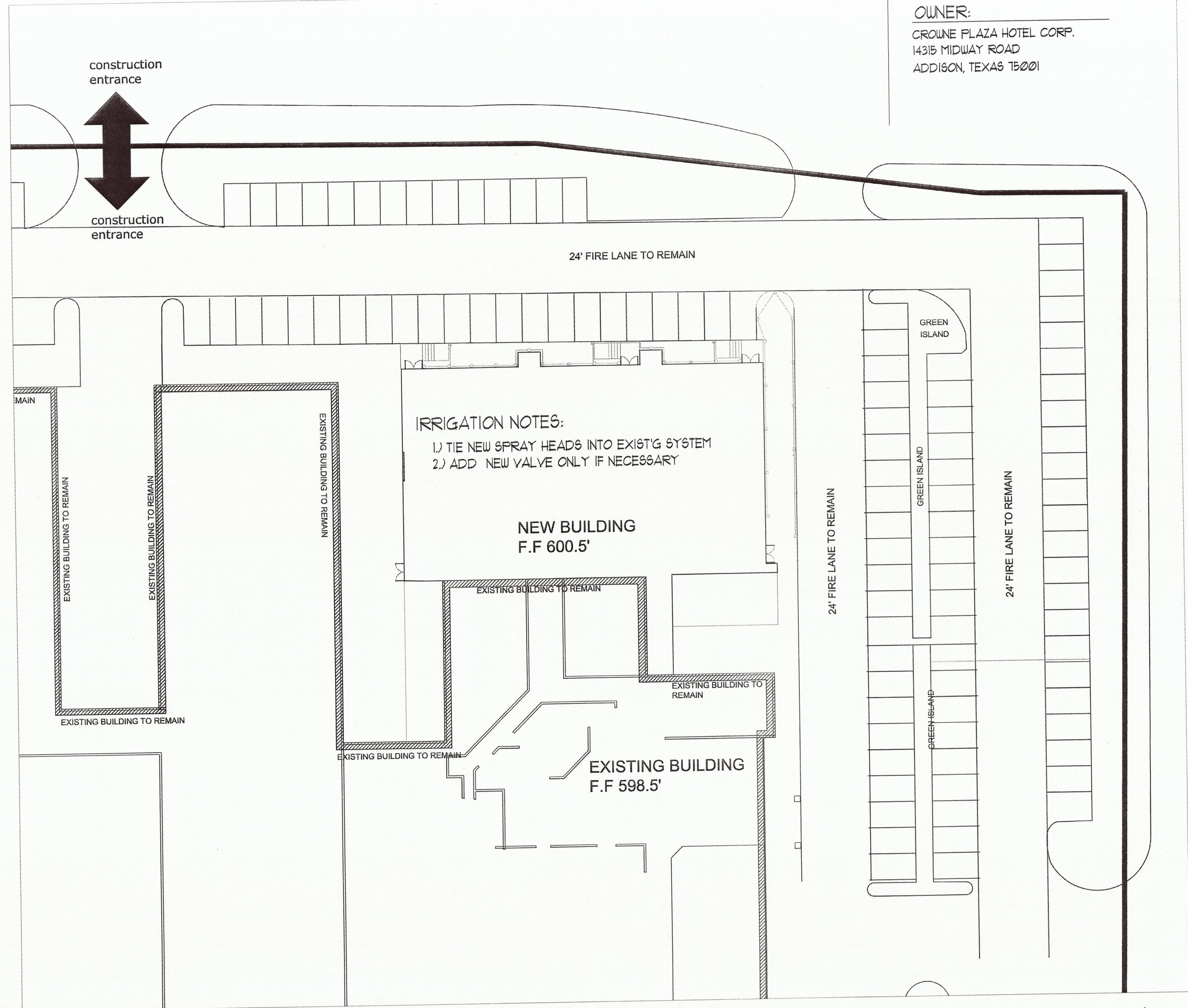
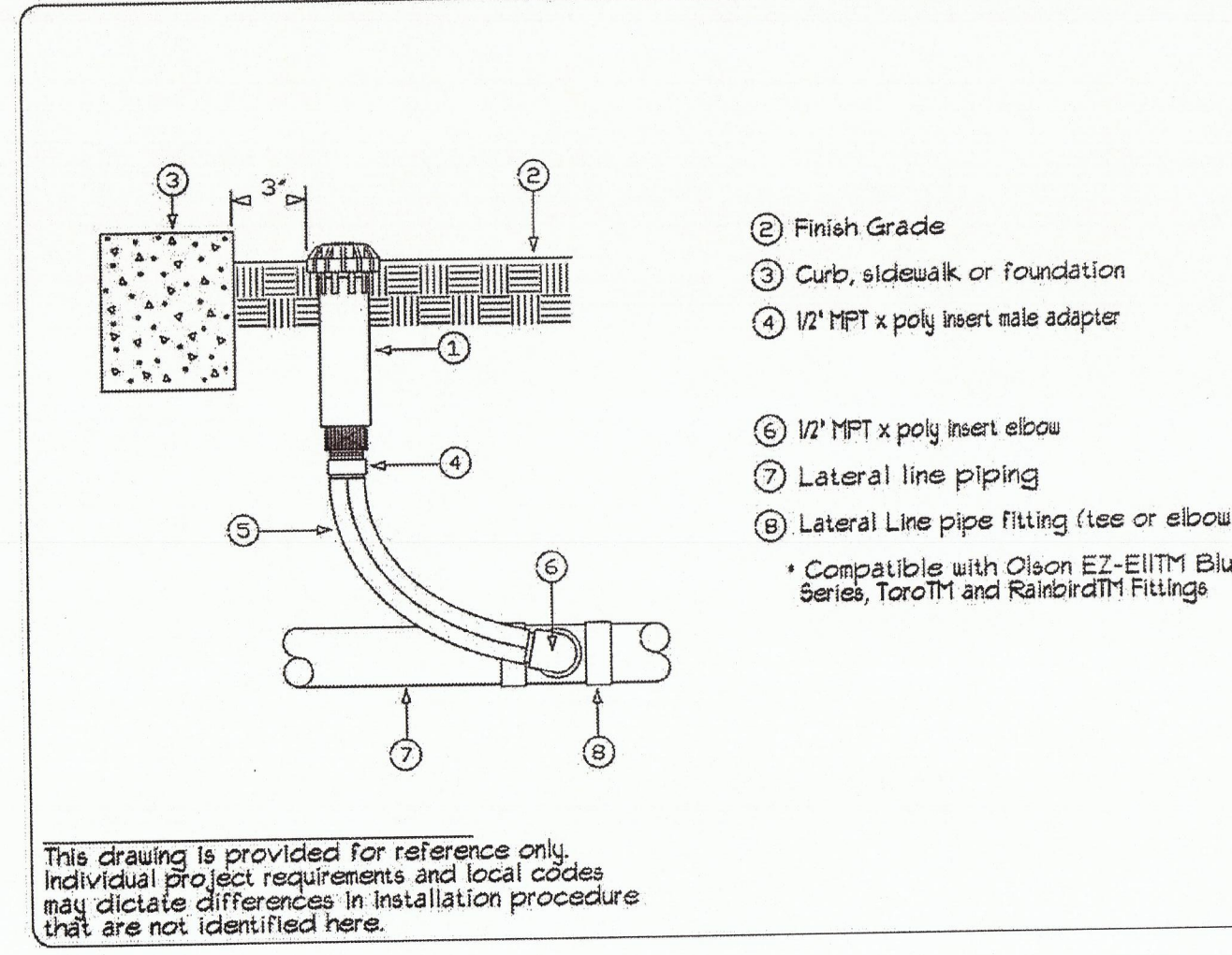
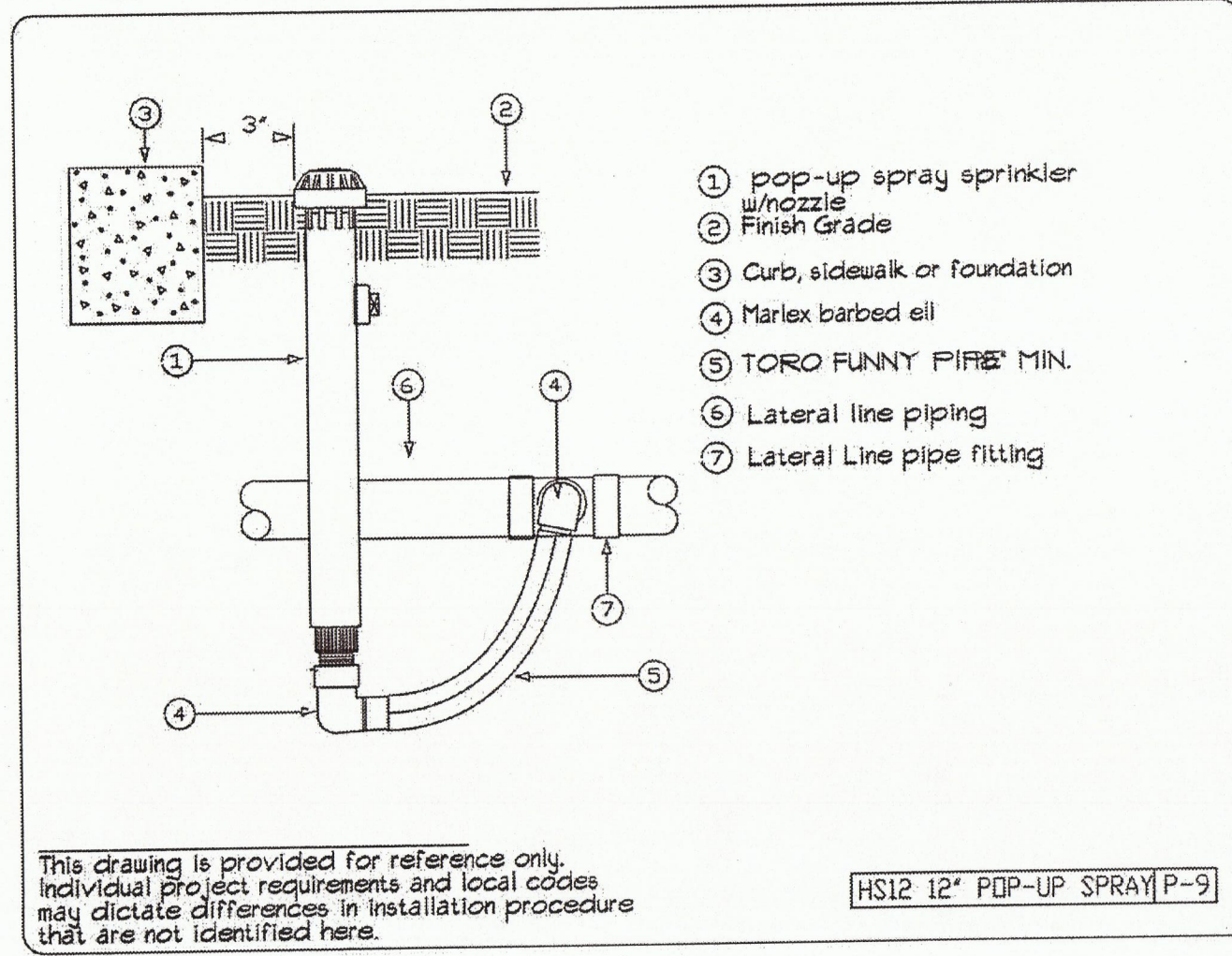
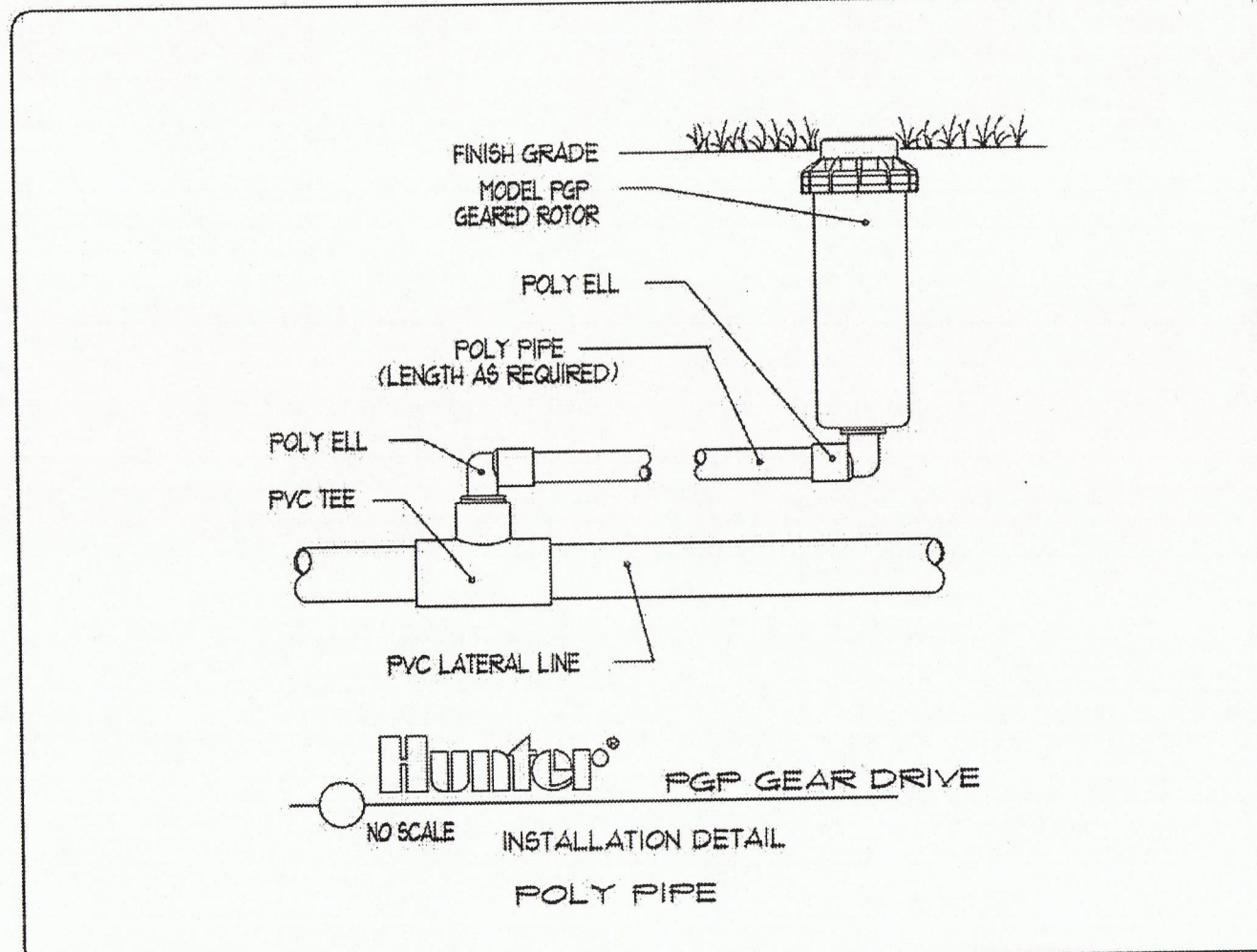


IRRIGATION DETAILS



This drawing is provided for reference only. Individual project requirements and local codes may dictate differences in installation procedure that are not identified here.

700 V-23



OWNER:
CROWNE PLAZA HOTEL CORP.
14315 MIDWAY ROAD
ADDISON, TEXAS 75001

IRRIGATION NOTES:
1.) TIE NEW SPRAY HEADS INTO EXIST'G SYSTEM
2.) ADD NEW VALVE ONLY IF NECESSARY

GENERAL NOTES:

- IRRIGATION: THE DESIGN AND TRENCHING FOR IRRIGATION SYSTEMS SHALL NOT CROSS THE CRITICAL ROOT ZONES OF THE PRESERVED TREES. THE IRRIGATION TRENCHES SHOULD BE LOCATED OUTSIDE OF THE CRITICAL ROOT ZONE AND DESIGNED TO THROW WATER INTO THE AREA WITHIN THE DRIP LINE OF THE TREE. ANY TRENCHING WHICH MUST BE DONE WITHIN THE CRZ SHALL BE DUG BY HAND AND ENTER THE AREA IN A RADIAL MANNER, SUCH AS IN A BICYCLE SPOKE CONFIGURATION.

IRRIGATION PLAN



SCALE: 1" = 20'-0"



GENERAL CONTRACTORS
LANDSCAPE ARCHITECTS
2405 SOUTHBROOK CT.
ARLINGTON, TEXAS 76006
817 - 265-6036 office
817 - 880-2712 fax
eric@daltonlanddesign.com



CROWNE PLAZA HOTEL

14315 MIDWAY
ADDISON, TEXAS 75001

CHAUCER'S
DESIGN STUDIO

949 SIMON DRIVE, PLANO, TX. 75025
TEL: 972.849.6848 E-MAIL: chaucerdsgn@icloud.com

REVISION:

DRAFTER:
CHEHSIANG CHEN
DATE:
01/06/2010
IR1

JOB #2915