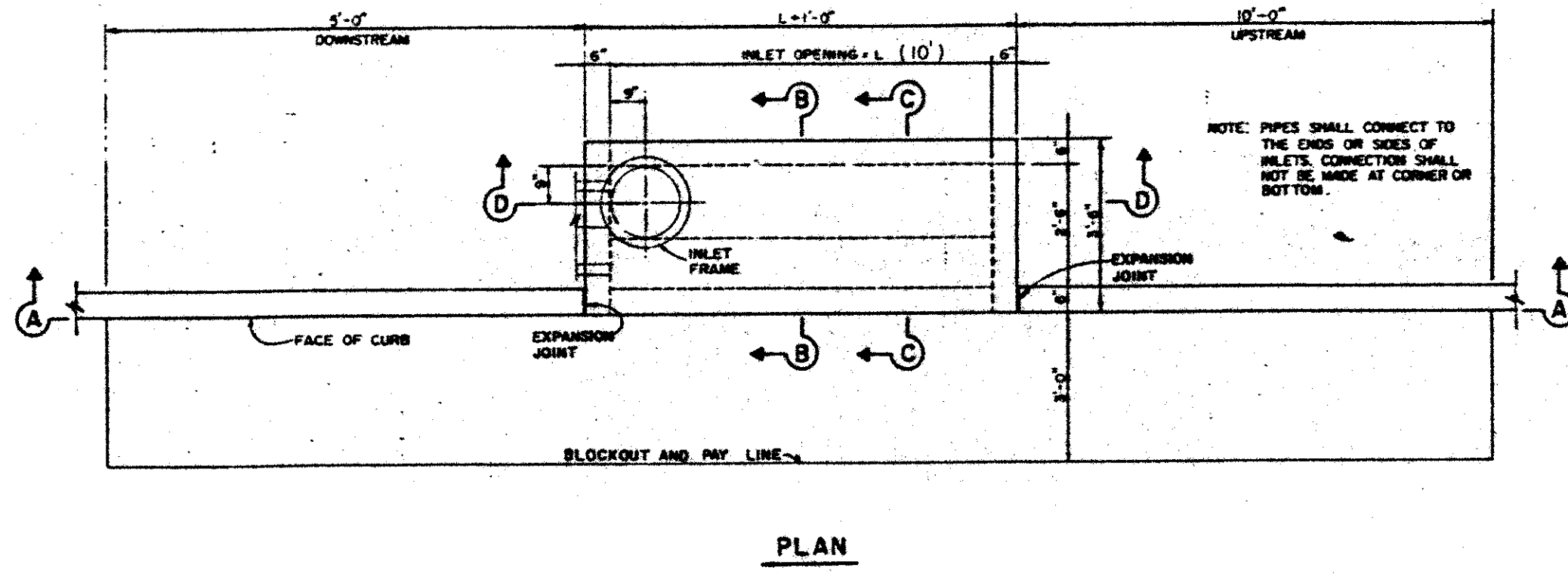
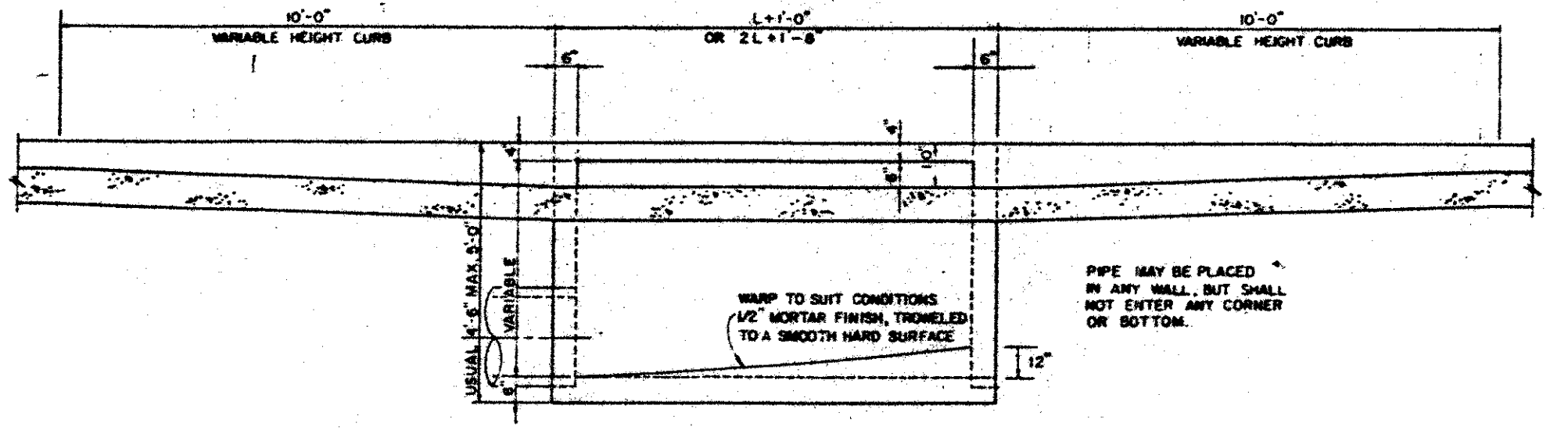
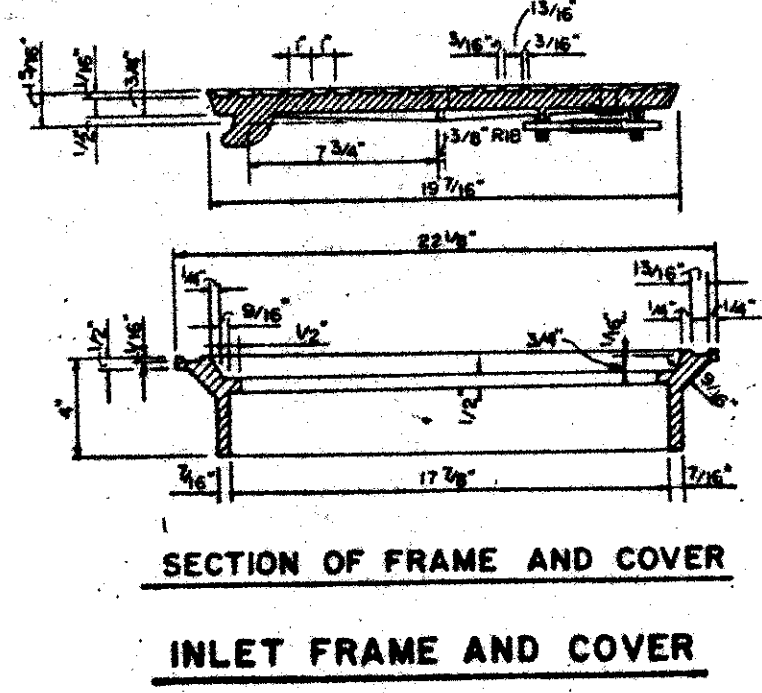


**REINFORCING STEEL SCHEDULE**  
DIMENSIONS SHOWN ARE FOR MAXIMUM SIZE INLETS

INLET LENGTH	BAR TYPE	BAR DIA. (IN.)	NO. REQ'D	BAR DIMENSIONS		
				A	B	C
4	A	3	6	3'-2"	0'-3"	-
	B	3	1	2'-0"	-	-
	C	4	12	4'-8"	0'-4"	-
	D	4	3	4'-8"	-	-
	F	4	1	3'-2"	-	-
	G	3	3	2'-0"	1'-3"	-
	H	3	3	-	-	-
	H	3	3	3'-2"	3'-2"	3'-2"
6	A	3	9	3'-2"	0'-3"	-
	B	3	1	4'-0"	-	-
	C	4	12	6'-0"	0'-4"	-
	D	4	3	4'-8"	-	-
	F	4	1	3'-2"	-	-
	G	3	3	2'-0"	1'-3"	-
	H	3	3	-	-	-
	H	3	3	3'-2"	3'-2"	3'-2"
8	A	3	12	3'-2"	0'-3"	-
	B	3	1	4'-0"	-	-
	C	4	12	6'-0"	0'-4"	-
	D	4	3	4'-8"	-	-
	F	4	1	3'-2"	-	-
	G	3	3	2'-0"	1'-3"	-
	H	3	3	-	-	-
	H	3	3	3'-2"	3'-2"	3'-2"
10	A	3	15	3'-2"	0'-3"	-
	B	3	1	4'-0"	-	-
	C	4	12	6'-0"	0'-4"	-
	D	4	3	4'-8"	-	-
	F	4	1	3'-2"	-	-
	G	3	3	2'-0"	1'-3"	-
	H	3	3	-	-	-
	H	3	3	3'-2"	3'-2"	3'-2"
12	A	3	18	3'-2"	0'-3"	-
	B	3	1	4'-0"	-	-
	C	4	12	6'-0"	0'-4"	-
	D	4	3	4'-8"	-	-
	F	4	1	3'-2"	-	-
	G	3	3	2'-0"	1'-3"	-
	H	3	3	-	-	-
	H	3	3	3'-2"	3'-2"	3'-2"
14	A	3	21	3'-2"	0'-3"	-
	B	3	1	4'-0"	-	-
	C	4	12	6'-0"	0'-4"	-
	D	4	3	4'-8"	-	-
	F	4	1	3'-2"	-	-
	G	3	3	2'-0"	1'-3"	-
	H	3	3	-	-	-
	H	3	3	3'-2"	3'-2"	3'-2"



**REVISIONS:**

DATE	DESCRIPTION
7-06-93	NEW SHEET

PREPARED BY:  
**DEWEY & ASSOCIATES**  
ENGINEERING, SURVEYING  
LAND PLANNING, CAD DESIGNS  
2505 TEXAS DRIVE, SUITE 110 • IRVING, TEXAS 75062 • 214/255-1501

PROPOSED  
**SPRING CREEK BARBEQUE**  
MIDWAY ROAD AT BELTWAY DRIVE - ADDISON, TEXAS

**AS BUILT**

7-7-93

SHEET TITLE  
**CURB INLET DETAILS**

DATE: JUNE 21, 1993  
SCALE: 1" = 20'  
DRAWN BY: SAS (ACAD)  
CHECKED BY: JDJ  
SHEET NO.  
**C3 of 6**