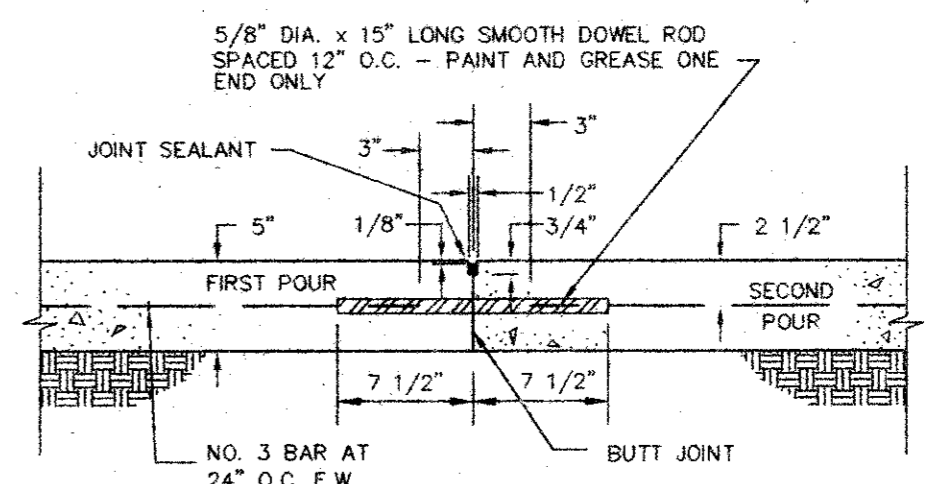
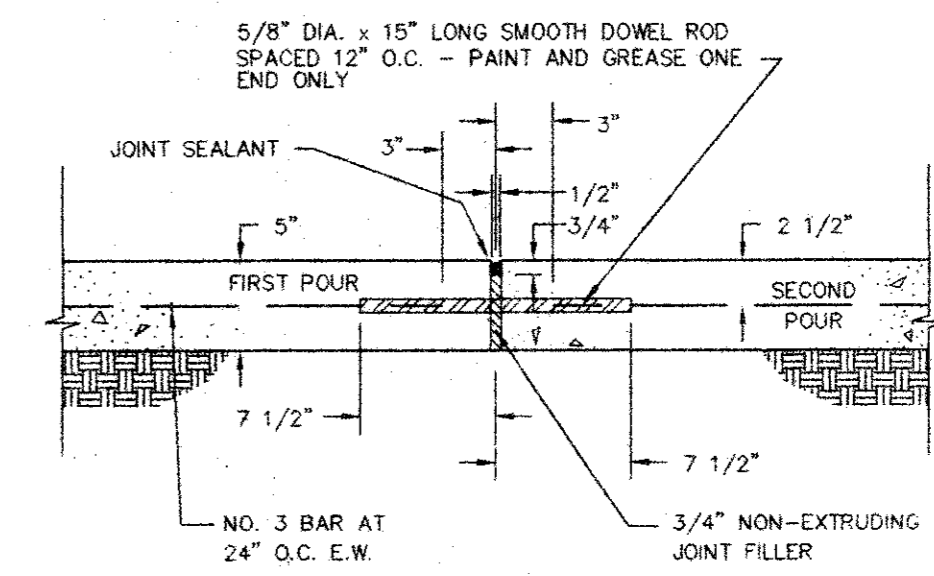


$\Delta = 06'17'12''$
 $R = 1005.00'$
 $L = 110.27'$
 $T = 55.19'$
 $LC = 110.22'$
 $CB = S86'51'24''W$

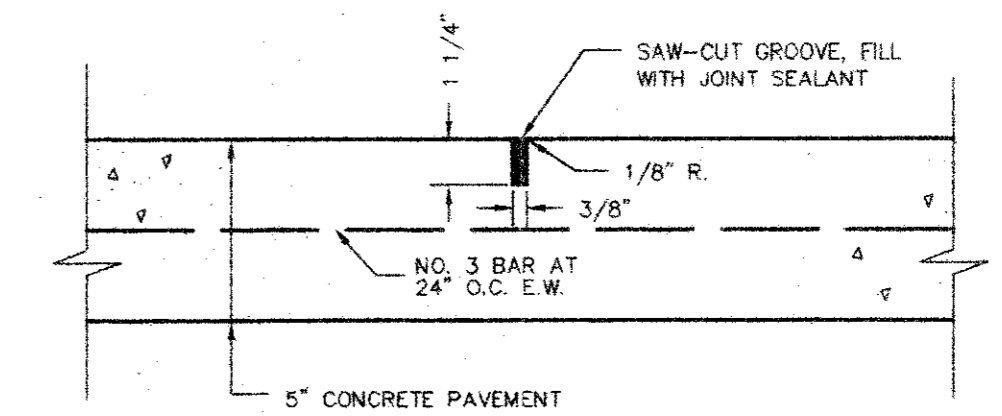


NOTE: CONSTRUCT EXPANSION JOINT WHENEVER THE PLACEMENT OF CONCRETE IS SUSPENDED FOR MORE THAN 30 MINUTES.

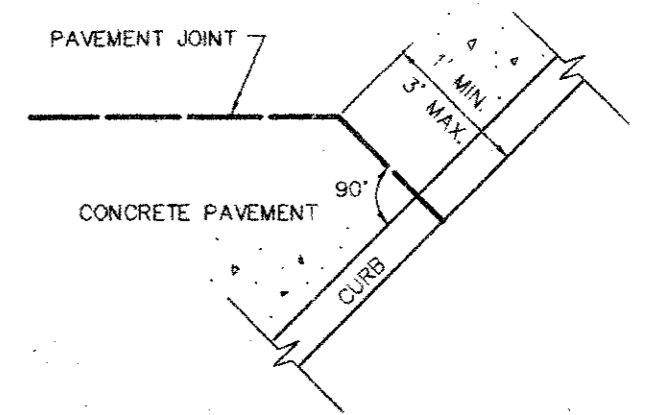
CONSTRUCTION JOINT DETAIL
NOT TO SCALE



EXPANSION JOINT DETAIL
NOT TO SCALE



CONTRACTION JOINT DETAIL
NOT TO SCALE

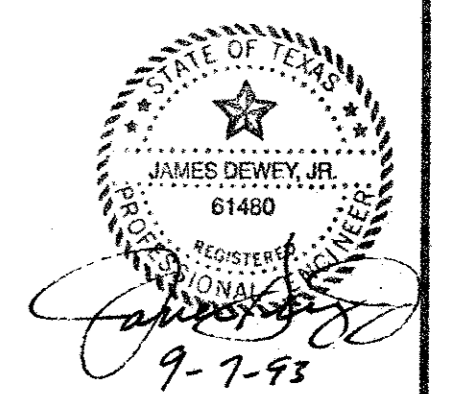


DETAIL OF PAVEMENT JOINT AT CURB
NOT TO SCALE

LEGEND

- E — E — EXPANSION JOINT
- --- CONTRACTION JOINT
- — — FLOWLINE OR INVERT

AS BUILT



REVISIONS:	
DATE	DESCRIPTION
8-09-93	ADDED HC PARKING
9-07-93	REVISE FIRELANE

PREPARED BY:
DEWEY & ASSOCIATES
 ENGINEERING, SURVEYING
 LAND PLANNING, CAD DESIGNS
 D & A
 2505 TEXAS DRIVE, SUITE 110 - IRVING, TEXAS 75062 • 214/255-1501

PROPOSED
SPRING CREEK BARBEQUE
 MIDWAY ROAD AT BELTWAY DRIVE - ADDISON, TEXAS

SHEET TITLE	
JOINT PATTERN PLAN	
DATE:	JUNE 21, 1993
SCALE:	1" = 20'
DRAWN BY:	SAS (ACAD)
CHECKED BY:	JDJ
SHEET NO.	C5 OF 6