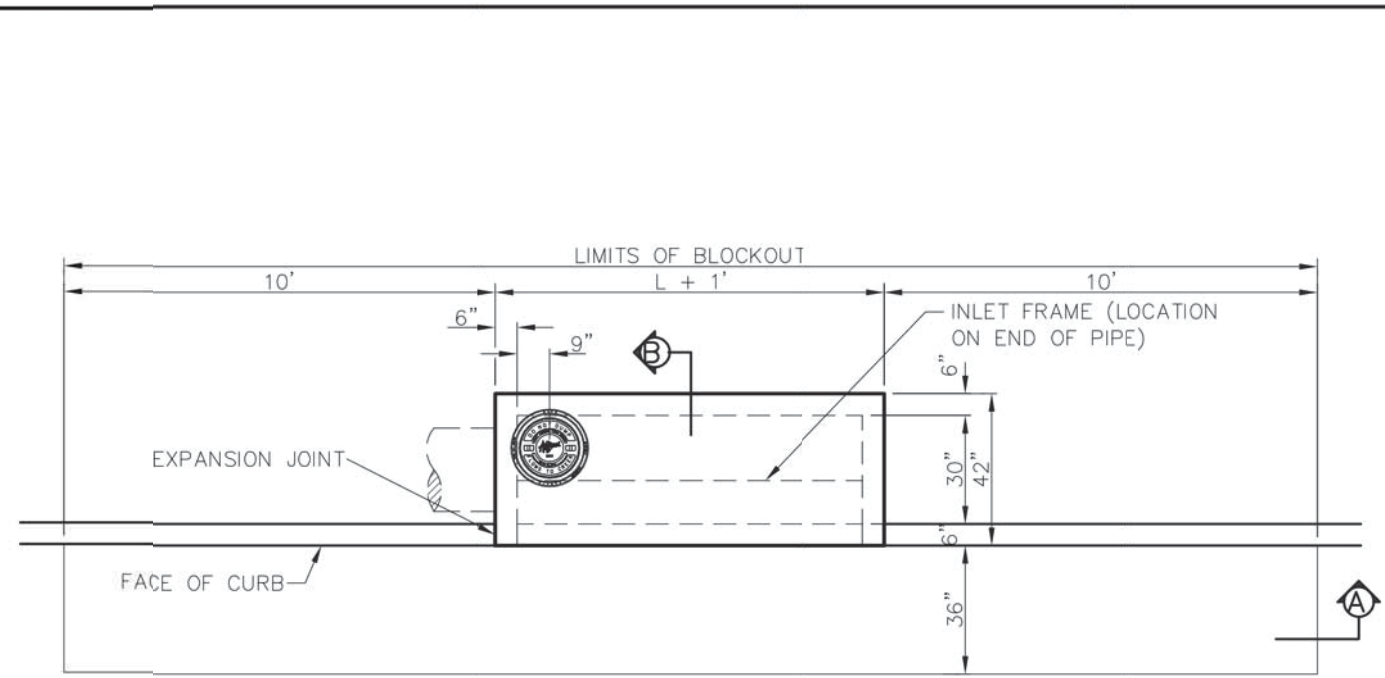
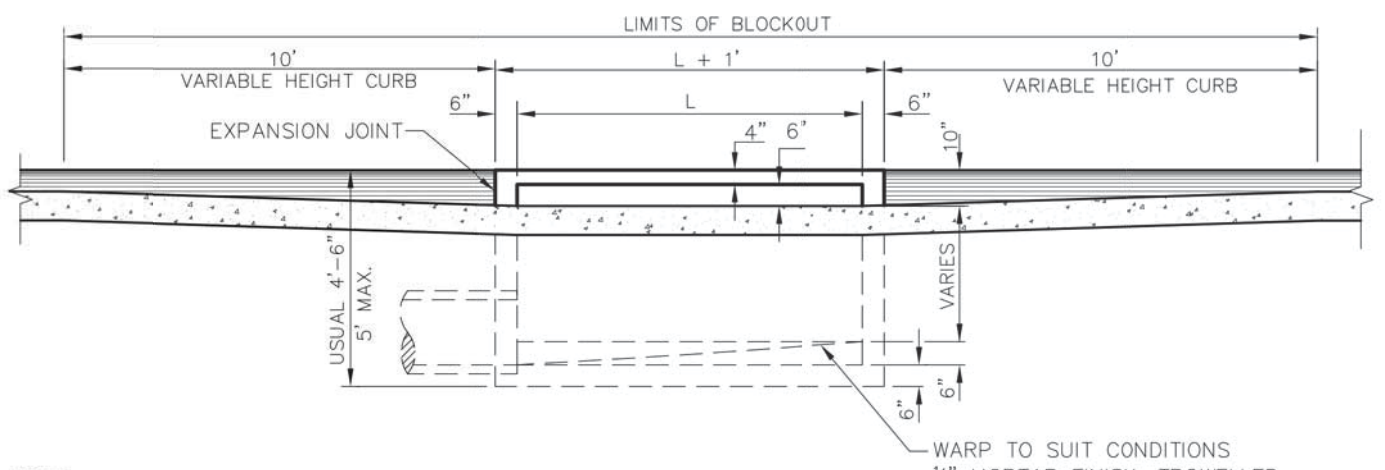


REINFORCING STEEL SCHEDULE						
DIMENSIONS SHOWN ARE FOR MAXIMUM SIZE INLET						
INLET LENGTH	BAR TYPE	BAR DIA. (1/8")	NO. REQ'D	BAR DIMENSIONS		
				A	B	C
4'	A	3	6	3'-2"	0'-3"	-
	B	3	2	2'-10"	-	-
	C	4	18	4'-8"	0'-6"	-
	D	4	9	4'-8"	-	-
	G	3	4	2'-0"	1'-3"	-
	H	3	7	-	-	*
	I	4	3	3'-2"	3'-2"	4'-8"
	J	5	1	-	-	*
	K	5	2	3'-2"	0'-6"	-
	L	4	11	3'-2"	0'-6"	-
	M	4	2	3'-0**	-	-
6'	A	3	9	3'-2"	0'-3"	-
	B	3	2	4'-10"	-	-
	C	4	18	6'-8"	0'-6"	-
	D	4	9	4'-8"	-	-
	G	3	6	2'-0"	1'-3"	-
	H	3	11	-	-	*
	I	4	5	3'-2"	3'-2"	4'-8"
	J	5	1	-	-	*
	K	5	2	3'-2"	0'-6"	-
	L	4	11	3'-2"	0'-6"	-
	M	4	2	3'-0**	-	-
8'	A	3	12	3'-2"	0'-3"	-
	B	3	2	6'-10"	-	-
	C	4	18	8'-8"	0'-6"	-
	D	4	9	4'-8"	-	-
	G	3	7	2'-0"	1'-3"	-
	H	3	14	-	-	*
	I	4	7	3'-2"	3'-2"	4'-8"
	J	5	1	-	-	*
	K	5	2	3'-2"	0'-6"	-
	L	4	11	3'-2"	0'-6"	-
	M	4	2	3'-0**	-	-
10'	A	3	15	3'-2"	0'-3"	-
	B	3	2	8'-10"	-	-
	C	4	18	10'-8"	0'-6"	-
	D	4	9	4'-8"	-	-
	G	3	9	2'-0"	1'-3"	-
	H	3	17	-	-	*
	I	4	9	3'-2"	3'-2"	4'-8"
	J	5	1	-	-	*
	K	5	2	3'-2"	0'-6"	-
	L	4	11	3'-2"	0'-6"	-
	M	4	2	3'-0**	-	-

* SEE DIAGRAM FOR DIMENSIONS
** FIELD CUT AS REQUIRED TO ACCOMMODATE DRAIN PIPE

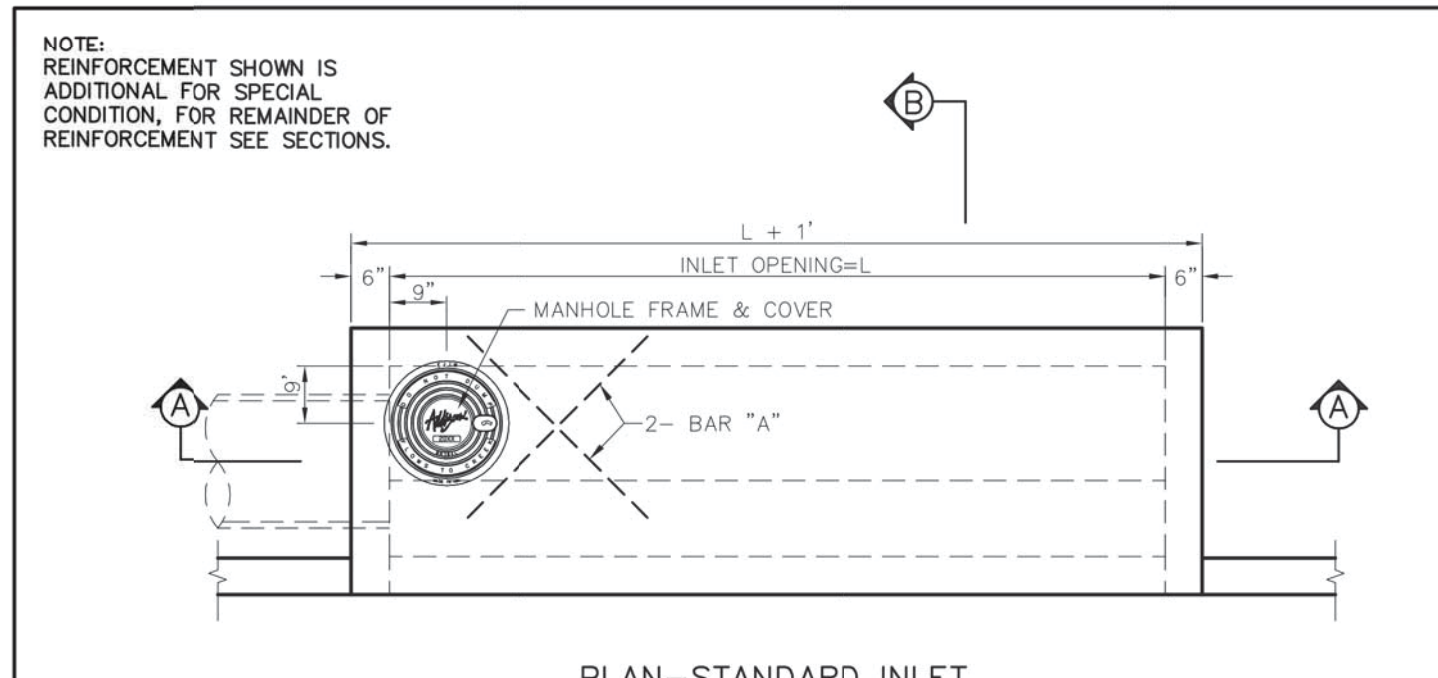


PLAN-STANDARD INLET
NTS

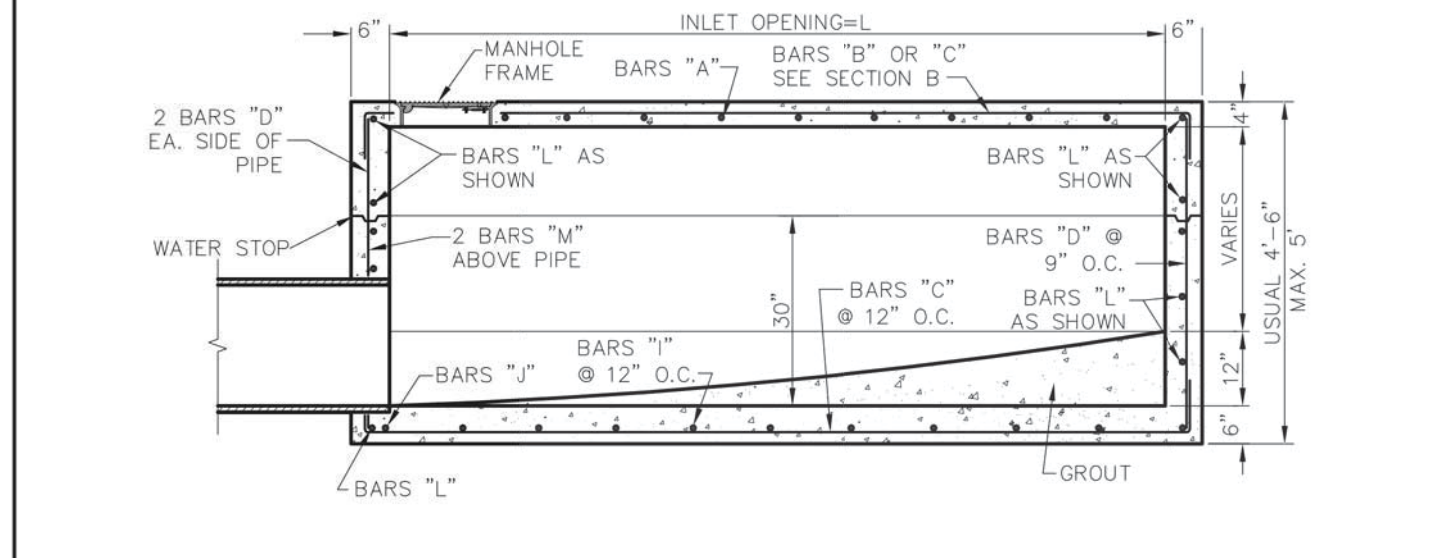


SECTION A
NTS

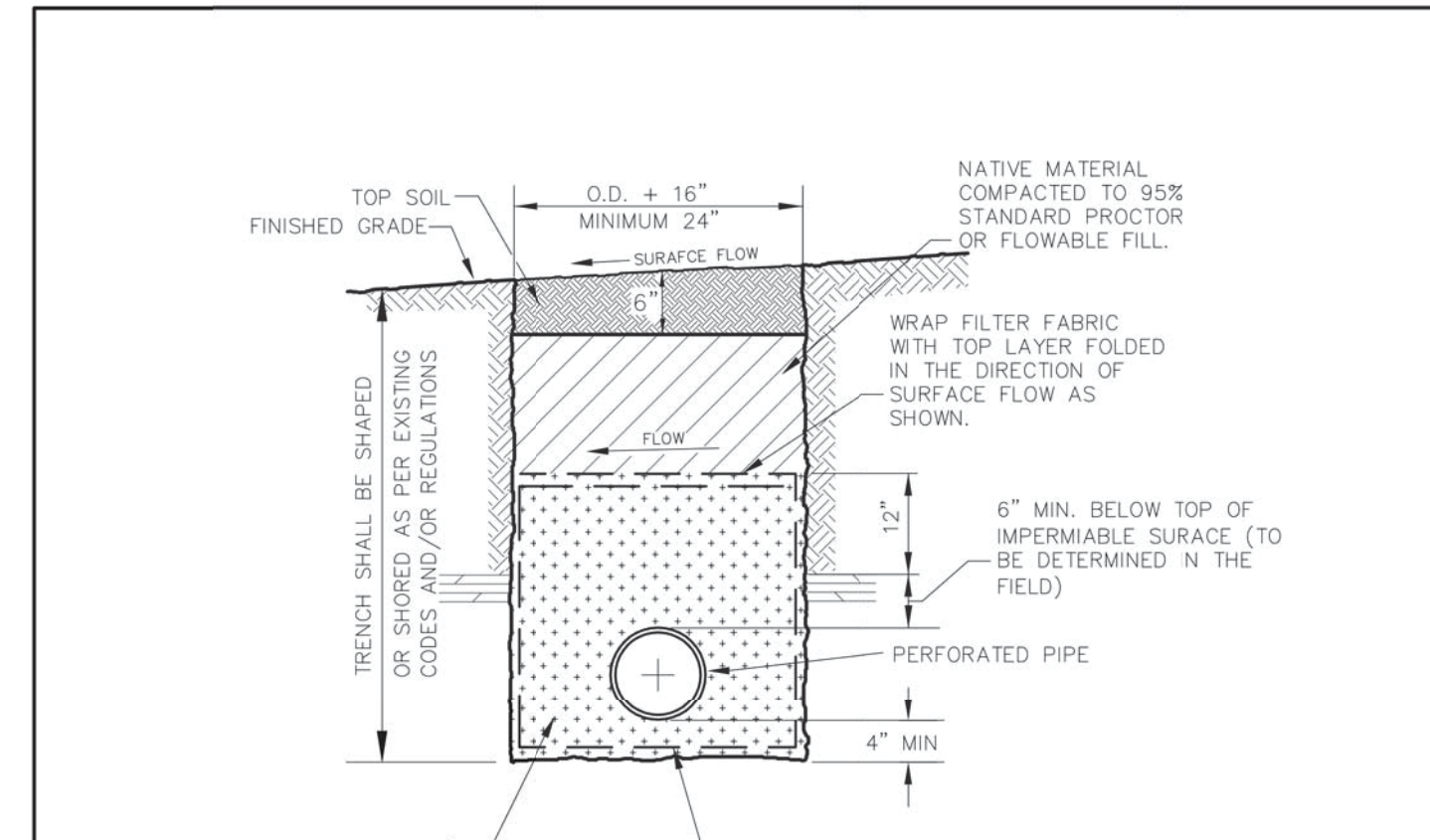
- NOTE:
- PIPE MAY BE PLACED IN ANY WALL, BUT SHALL NOT ENTER ANY CORNER OR BOTTOM.
 - #3 BAR 18" O.C.E.W. IN BLOCK OUT DRILLED INTO EXISTING CONCRETE.
 - BACKFILL AROUND INLET SHALL BE FLOWABLE BACKFILL PER NCTCOG 504.2.3.4



PLAN-STANDARD INLET
NTS



SECTION A
NTS



GENERAL NOTES:

- THE SUBSURFACE DRAINAGE SYSTEM SHALL BE CONSTRUCTED WITH A MINIMUM SIZE OF SIX (6) INCH DIAMETER TYPE PS-46 PVC PIPE OR APPROVED EQUAL. THE PIPE SHALL MEET ALL CURRENT ASTM 7759 REQUIREMENTS, AND SHALL HAVE GASKET TYPE JOINTS. THE PERFORATED AND CONDUCTING PIPES SHALL BE WHITE IN COLOR.
- THE FINAL BACKFILL SHALL CONSIST OF AND BE PLACED IN ACCORDANCE WITH THE N.C.T.C.O.G. SPECIFICATIONS ITEM 6.2.9.
- CLEANOUTS SHALL BE INSTALLED EVERY 200' AND AT THE END OF EACH PIPING SYSTEM.

Addison!
PUBLIC WORKS DEPARTMENT

REINFORCING STEEL SCHEDULE
4, 6, 8 & 10 FOOT INLETS

STANDARD CONSTRUCTION DETAILS
STORM DRAINAGE

DATE: AUGUST, 2010 REV. DATE: SHEET: SD-014

Addison!
PUBLIC WORKS DEPARTMENT

STANDARD CURB INLET

STANDARD CONSTRUCTION DETAILS
STORM DRAINAGE

DATE: AUGUST, 2010 REV. DATE: SHEET: SD-010

Addison!
PUBLIC WORKS DEPARTMENT

STANDARD CURB INLET 4, 6, 8 & 10 FOOT INLETS

STANDARD CONSTRUCTION DETAILS
STORM DRAINAGE

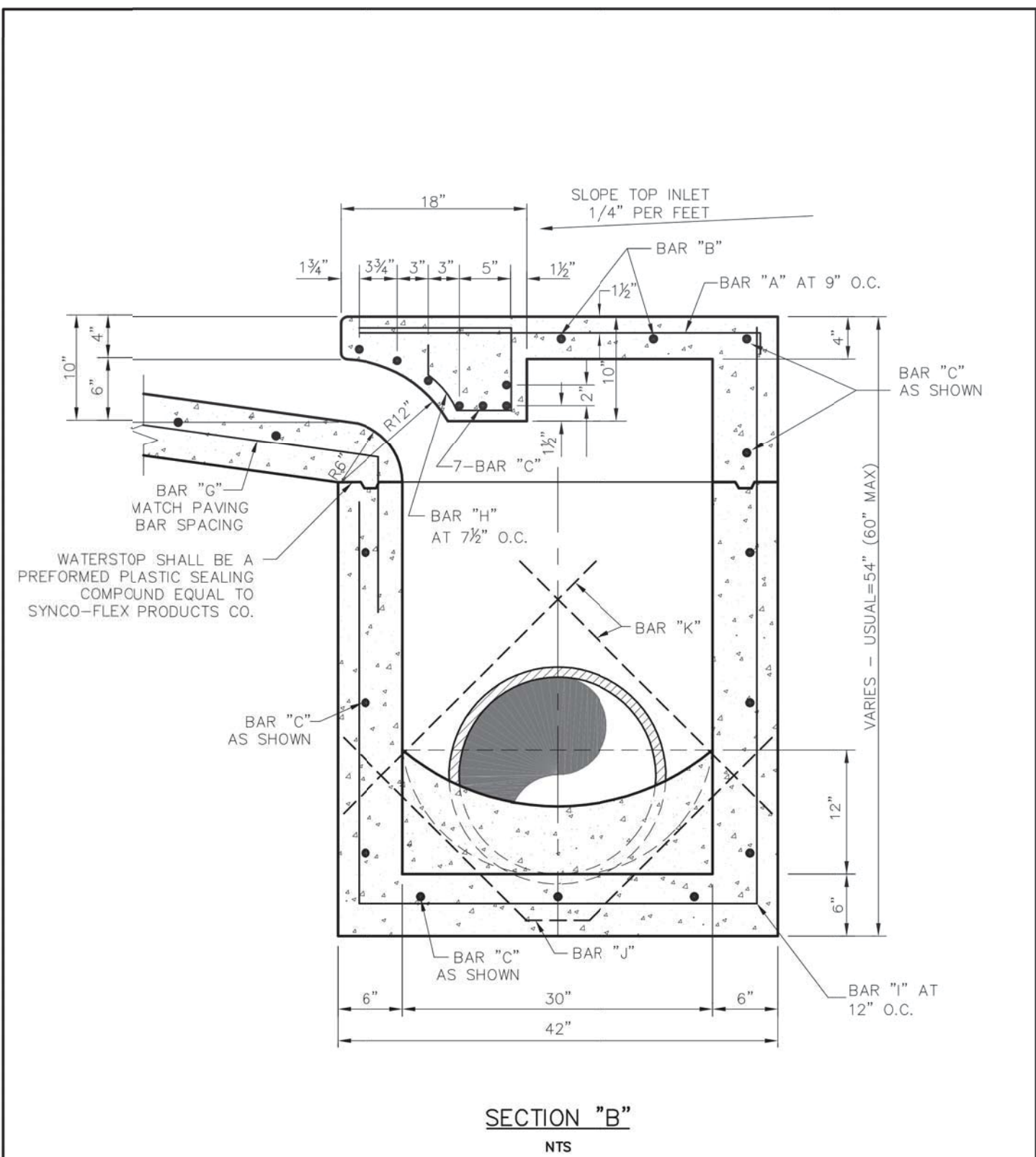
DATE: AUGUST, 2010 REV. DATE: SHEET: SD-012

Addison!
PUBLIC WORKS DEPARTMENT

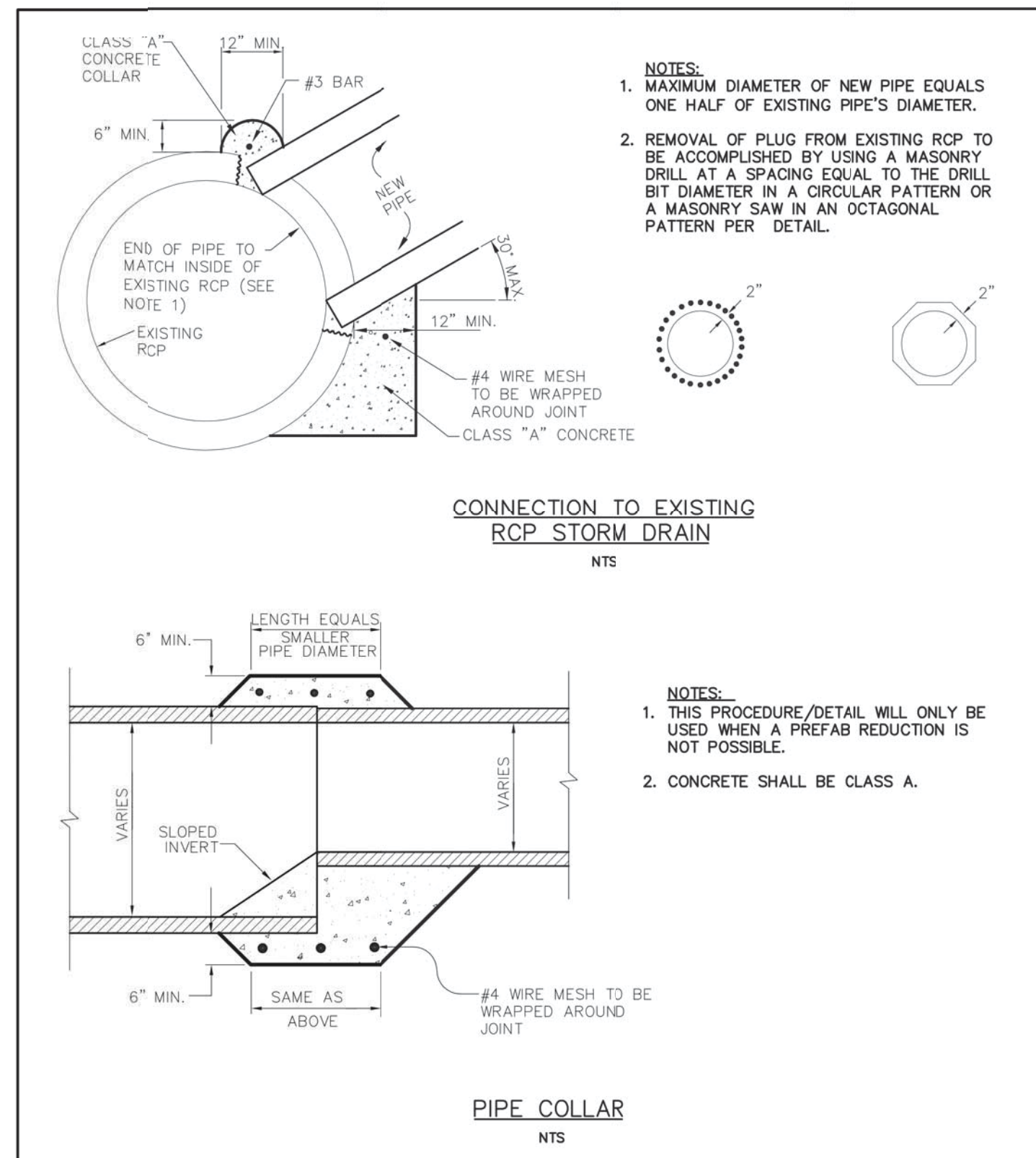
SUBSURFACE DRAINAGE DETAIL

STANDARD CONSTRUCTION DETAILS
STORM DRAINAGE

DATE: AUGUST, 2010 REV. DATE: SHEET: SD-036



SECTION "B"
NTS



PIPE COLLAR
NTS

Addison!
PUBLIC WORKS DEPARTMENT

CONNECTION TO EXISTING RCP STORM DRAIN PIPE COLLAR

STANDARD CONSTRUCTION DETAILS
STORM DRAINAGE

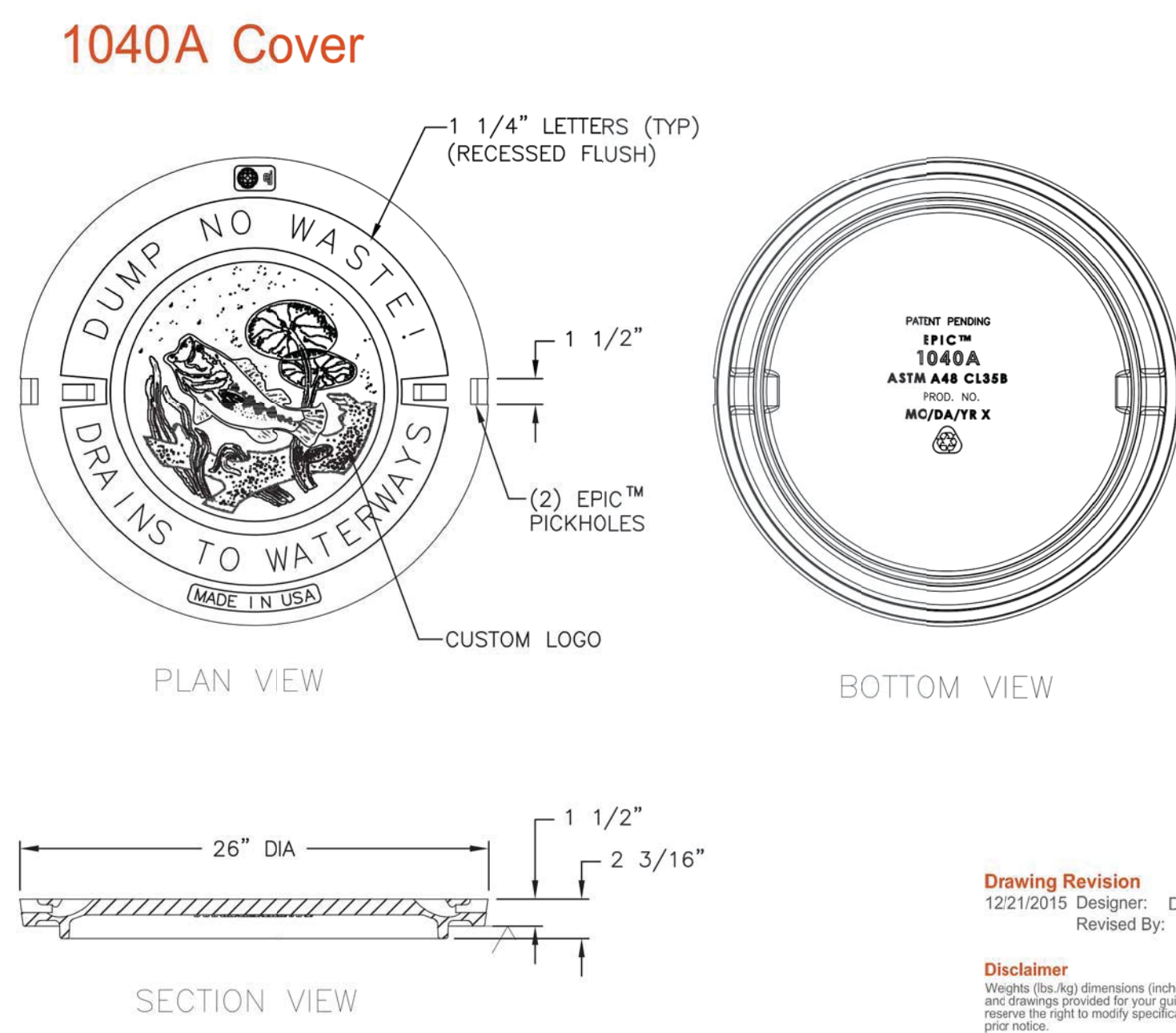
DATE: AUGUST, 2010 REV. DATE: SHEET: SD-005

Addison!
PUBLIC WORKS DEPARTMENT

TYPICAL SECTION "B" STANDARD & RECESSED CURB INLETS (4, 6, 8 & 10 FOOT INLETS)

STANDARD CONSTRUCTION DETAILS
STORM DRAINAGE

DATE: AUGUST, 2010 REV. DATE: SHEET: SD-013



1040A Cover

PLAN VIEW

BOTTOM VIEW

SECTION VIEW

26" DIA

1 1/2"

2 3/16"

ej

Product Number
OPA104000095

Design Features

- Materials: Gray Iron (CL35B)
- Design Load: Heavy Duty
- Open Area: n/a
- Coating: Dipped
- Designates Machined Surface

Certification
-ASTM A48
-Country of Origin: USA

SAWYER ENGINEERING, LLC
TBPE FIRM NUMBER F-9171

2017/12/19

NO.	REVISION	BY	DATE

ADDISON TOWN OF ADDISON DALLAS COUNTY, TEXAS

IMPROVEMENT PLANS
ADDISON GROVE

STORM DRAIN DETAILS

SAWYER ENGINEERING, LLC
TBPE: F-9171

1520 OLIVER STREET
HOUSTON, TEXAS 77007
(832) 553-5948

PROJECT	DESIGN	DRAWN	DATE	FILE	SHEET