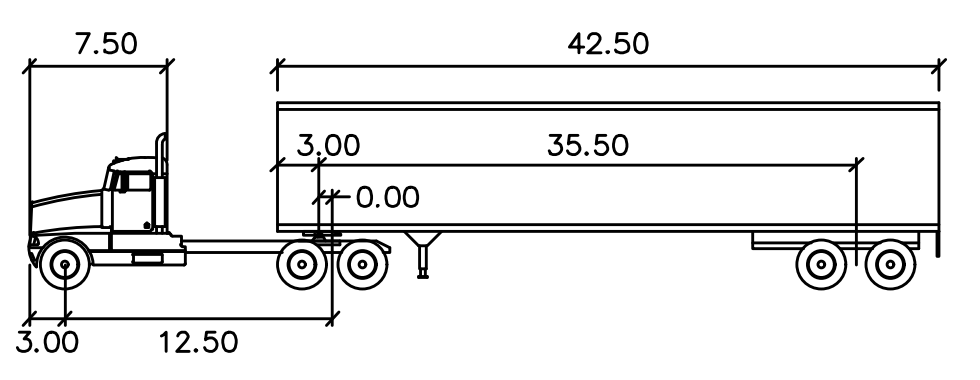
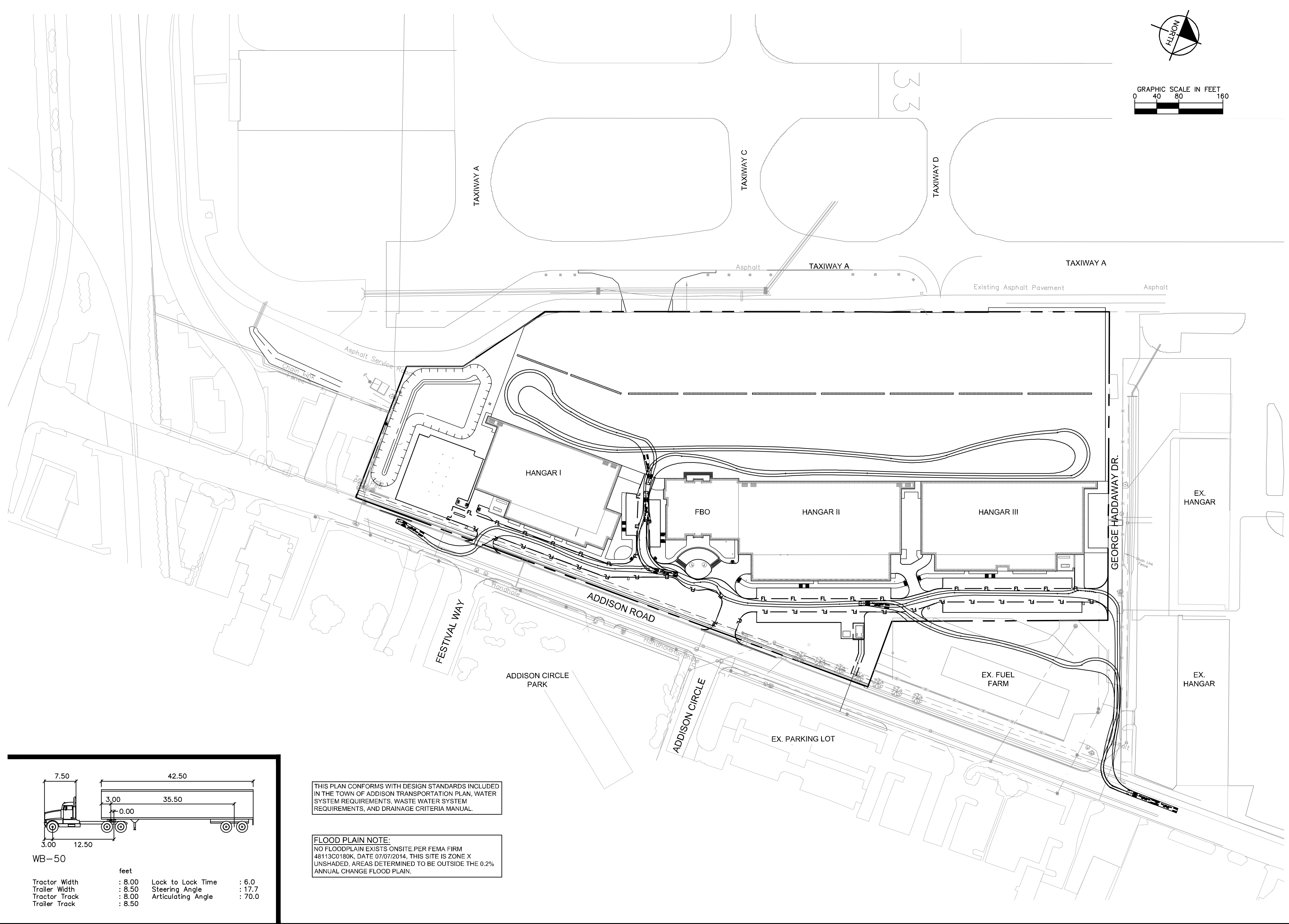


Plotted By: Lamar, Morgan Street Set: kha Layout: C5.00 October 24, 2019 09:59:46am K:\VDL\Aviation\067792503 - Addison Galaxy FBO\A\AD\Draws\Sheets\Site Plan\Fire Truck Maneuvering Plan.dwg
 This document, together with the concepts and designs presented herein, is an instrument of service, as an instrument of service, is intended only for the specific purpose and client for which it was prepared. Reuse or improper reliance on this document without written authorization and approval by Kimley-Horn and Associates, Inc. shall be without liability to Kimley-Horn and Associates, Inc.

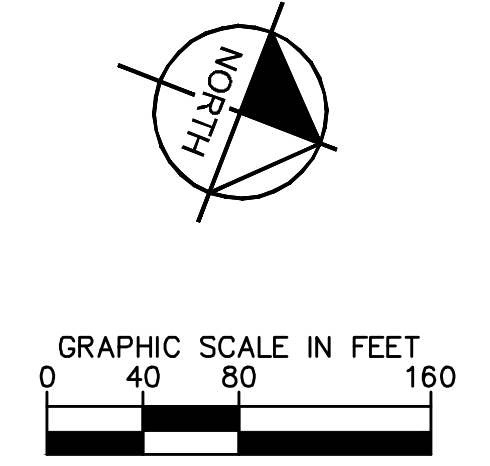


WB-50

| feet | | | |
|---------------|--------|---------------------|--------|
| Tractor Width | : 8.00 | Lock to Lock Length | : 6.0 |
| Trailer Width | : 8.50 | Steering Angle | : 17.7 |
| Tractor Track | : 8.00 | Articulating Angle | : 70.0 |
| Trailer Track | : 8.50 | | |

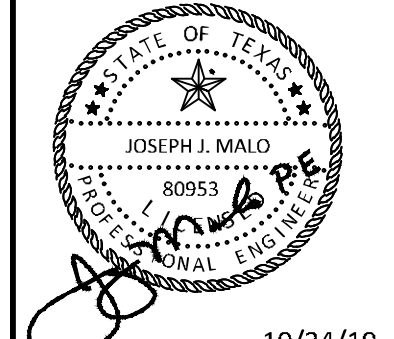
THIS PLAN CONFORMS WITH DESIGN STANDARDS INCLUDED IN THE TOWN OF ADDISON TRANSPORTATION PLAN, WATER SYSTEM REQUIREMENTS, WASTE WATER SYSTEM REQUIREMENTS, AND DRAINAGE CRITERIA MANUAL.

FLOOD PLAIN NOTE:
 NO FLOODPLAIN EXISTS ONSITE, PER FEMA FIRM 48113C0180K, DATE 07/07/2014, THIS SITE IS ZONE X UNSHADED, AREAS DETERMINED TO BE OUTSIDE THE 0.2% ANNUAL CHANGE FLOOD PLAIN.



| ADDENDUM #1 | DATE | BY |
|-------------|------------|----|
| 1 | 09/10/2019 | JM |
| 2 | 10/24/2019 | JM |

Kimley-Horn
 © 2019 KIMLEY-HORN AND ASSOCIATES, INC.
 1400 WOODLICK FOREST DRIVE, SUITE 225
 FORT WORTH, TEXAS 76104
 PHONE: 281-475-2816
 TBP# FIRM REGISTRATION F-928
 WWW.KIMLEY-HORN.COM



| KHA PROJECT | DATE | DESIGNED BY | DRAWN BY | CHECKED BY |
|-------------|------------|-------------|----------|------------|
| 067792503 | 10/24/2019 | HCV | EAC | HCV |

FIRE TRUCK MANEUVERING PLAN

ADDISON GALAXY FBO
 15601 ADDISON RD.
 PREPARED FOR
 BLACK FOREST VENTURE
 DALLAS, TEXAS

SHEET NUMBER
C5.00