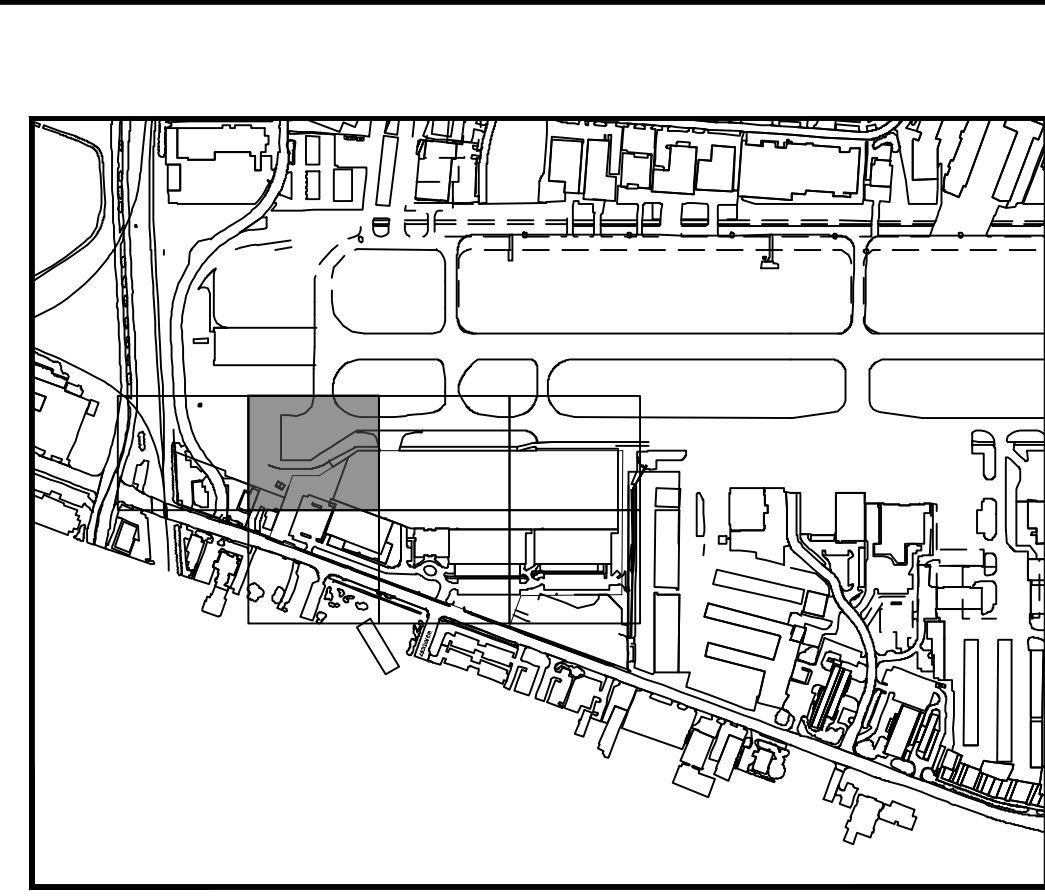
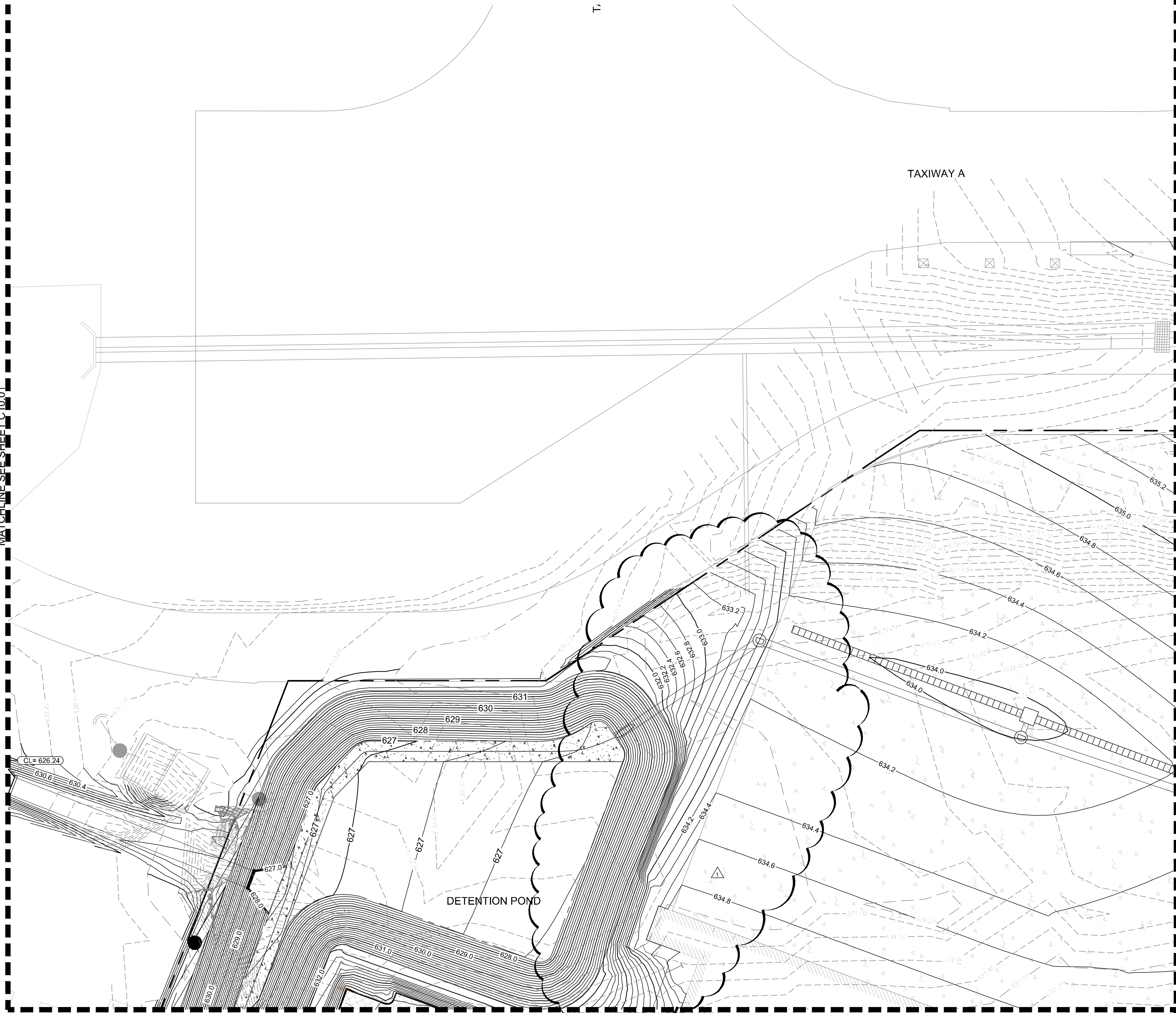


Plotted By: Acevedo, Elsie - Sheet Set: KHA - Layout: C10.02 - April 15, 2020 - 08:52:18am - C:\SubDrives\KDrive\067792503 - Addison_Galaxy_FBO\CAD\Drawings\067792503 - GRADING_PLAN.dwg
 This document, together with the concepts and designs presented herein, is intended only for the specific purpose and client for which it was prepared. Reuse or improper reliance on this document without written authorization and approval by Kimley-Horn and Associates, Inc. shall be without liability to Kimley-Horn and Associates, Inc.

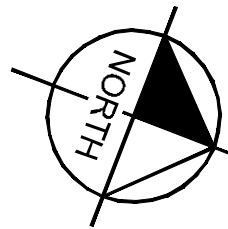
MATCHLINE SEE SHEET C10.01

MATCHLINE SEE SHEET C10.03


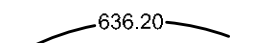



MATCHLINE SEE SHEET C10.05

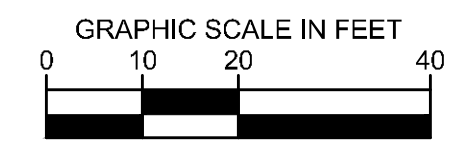


KEY PLAN



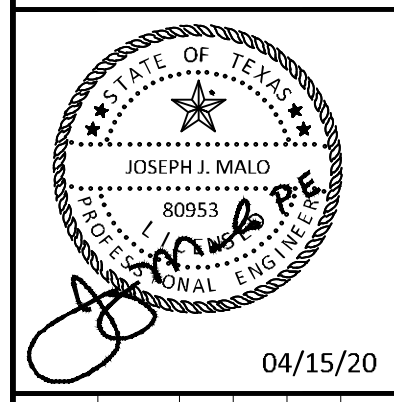
LEGEND

-  EXISTING CONTOURS
-  PROPOSED CONTOURS
-  TRENCH DRAIN
-  DRAINAGE INLET
-  DRAINAGE MANHOLE



No.	REVISIONS	DATE	BY
1	ASB-C003	04/14/2020	JM

Kimley»Horn
 © 2019 KIMLEY-HORN AND ASSOCIATES, INC.
 1400 WOODLICK FOREST DRIVE, SUITE 225
 HOUSTON, TEXAS 77057
 PHONE: 281-475-2816
 TBP# FIRM REGISTRATION F-928
 WWW.KIMLEY-HORN.COM



KHA PROJECT	067792503
DATE	2/21/2020
SCALE	AS SHOWN
DESIGNED BY	HCV
DRAWN BY	EC EAC
CHECKED BY	HCV

GRADING PLAN

ADDISON GALAXY FBO
 15601 ADDISON RD.
 PREPARED FOR
 BLACK FOREST VENTURE
 DALLAS, TEXAS
 ADDISON

SHEET NUMBER
C10.02