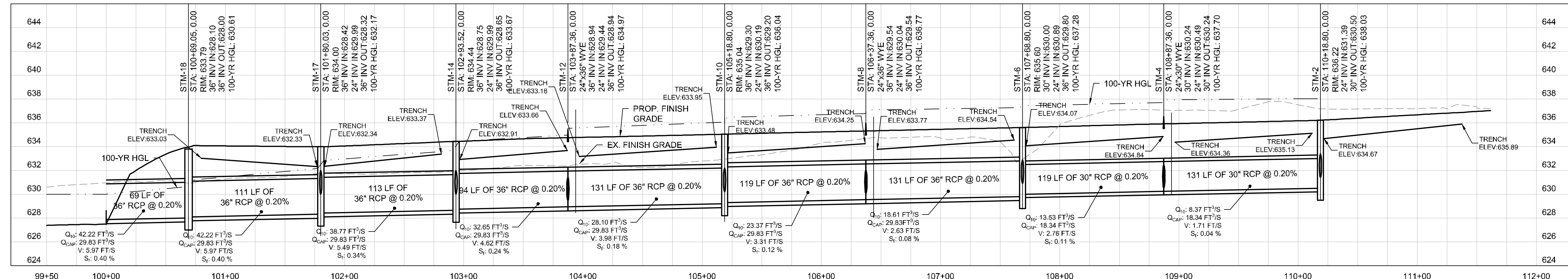
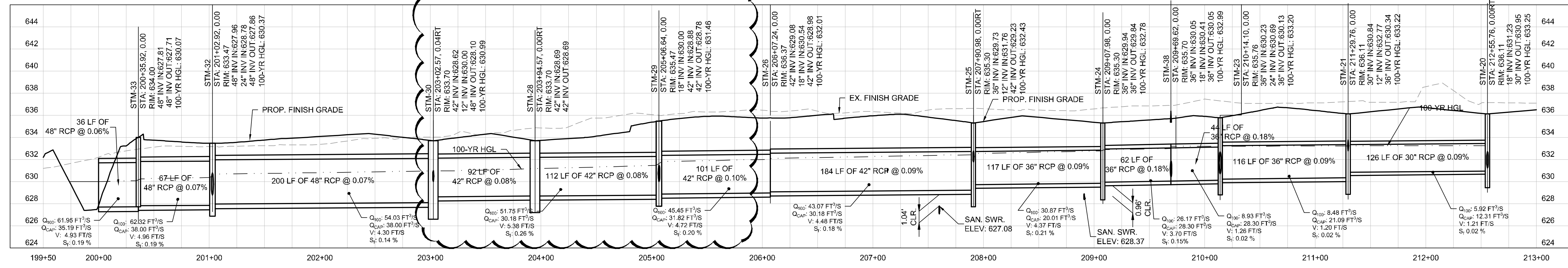


Plotted By: Acevedo, Eleth Sheet: Set-Kno Layout: C12.08 April 14, 2020 12:04:51pm K:\067792503 - Addison Galaxy FBO\ACAD\Draws\Sheets\C12.08 DRAINAGE PROFILES.dwg This document, together with the concepts and designs presented herein, is an instrument of service, is intended only for the specific purpose and client for which it was prepared. Reuse of any information or data contained herein without the written authorization and approval by Kimley-Horn and Associates, Inc. shall be without liability to Kimley-Horn and Associates, Inc.

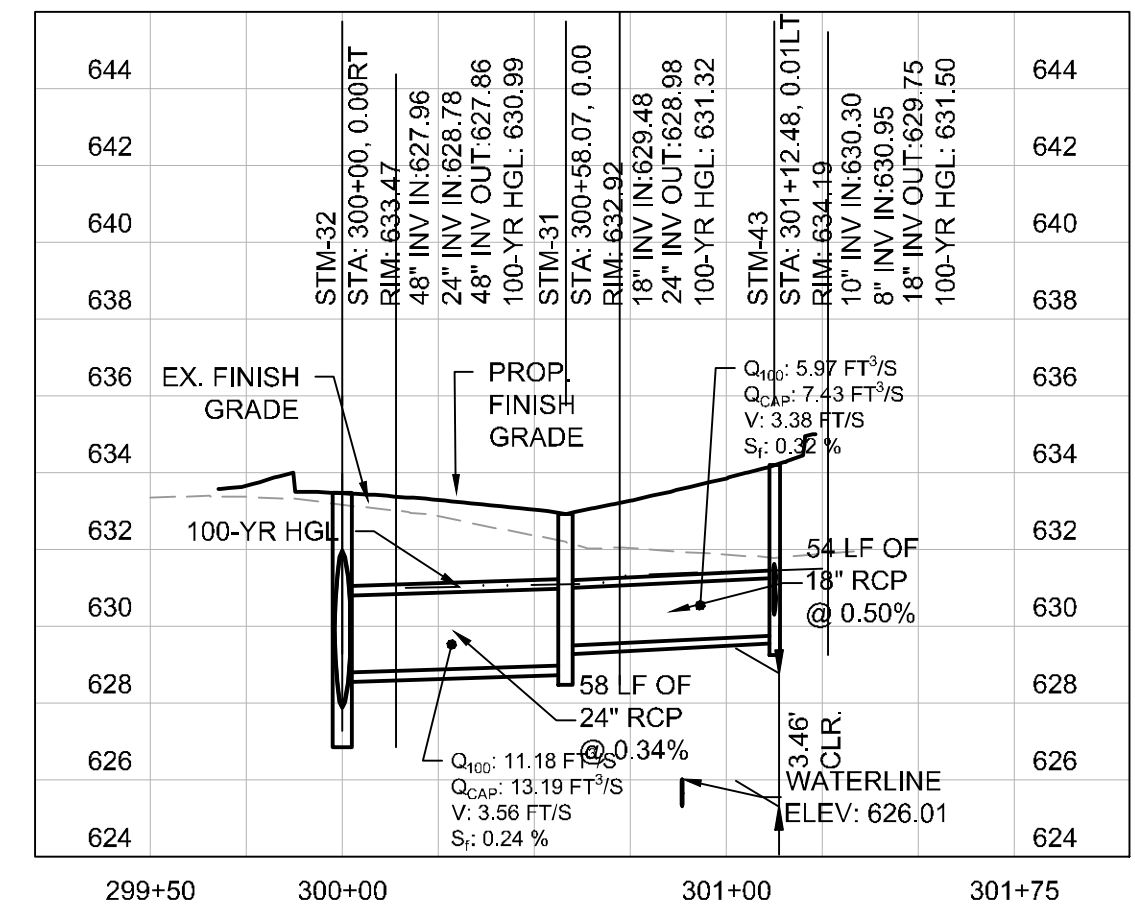
SD-1



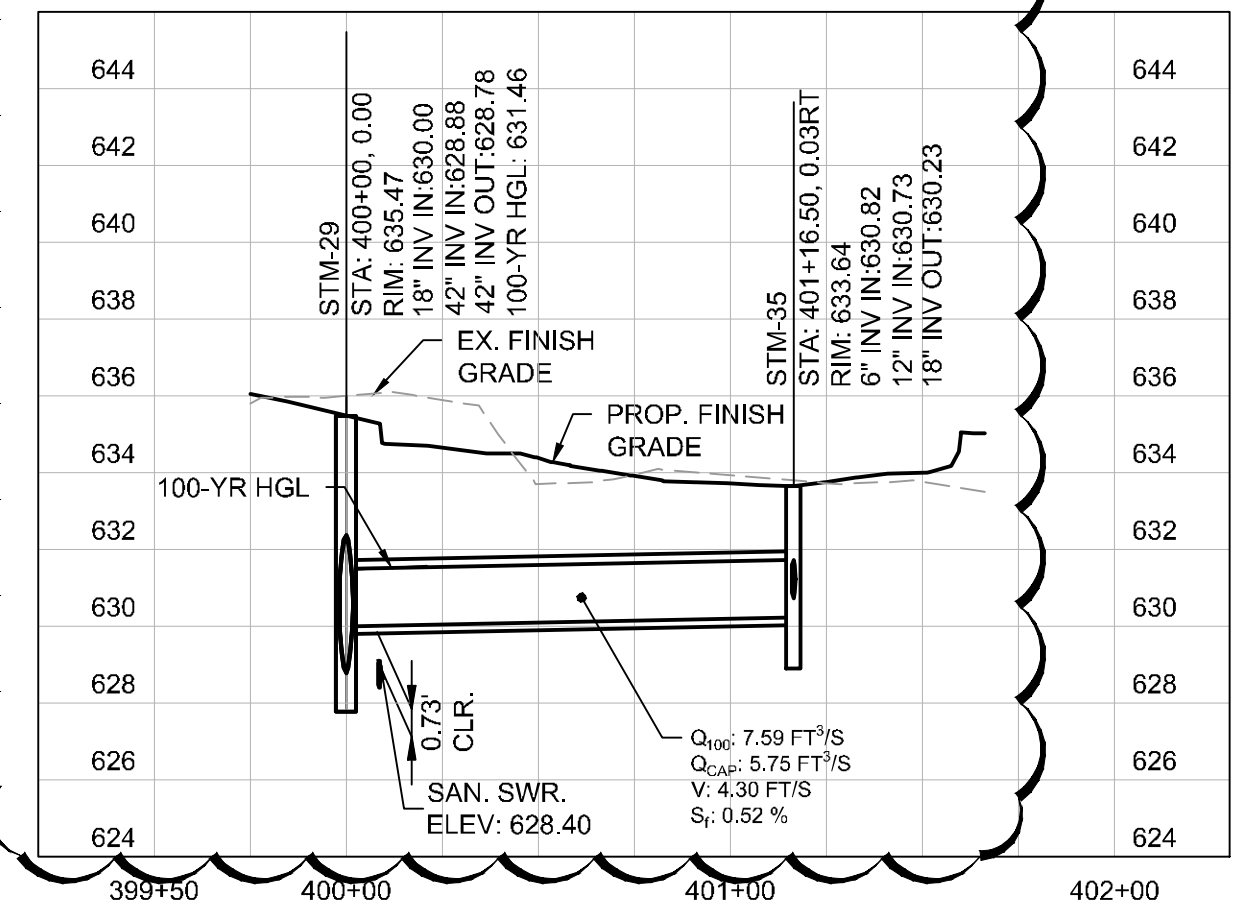
SD-2



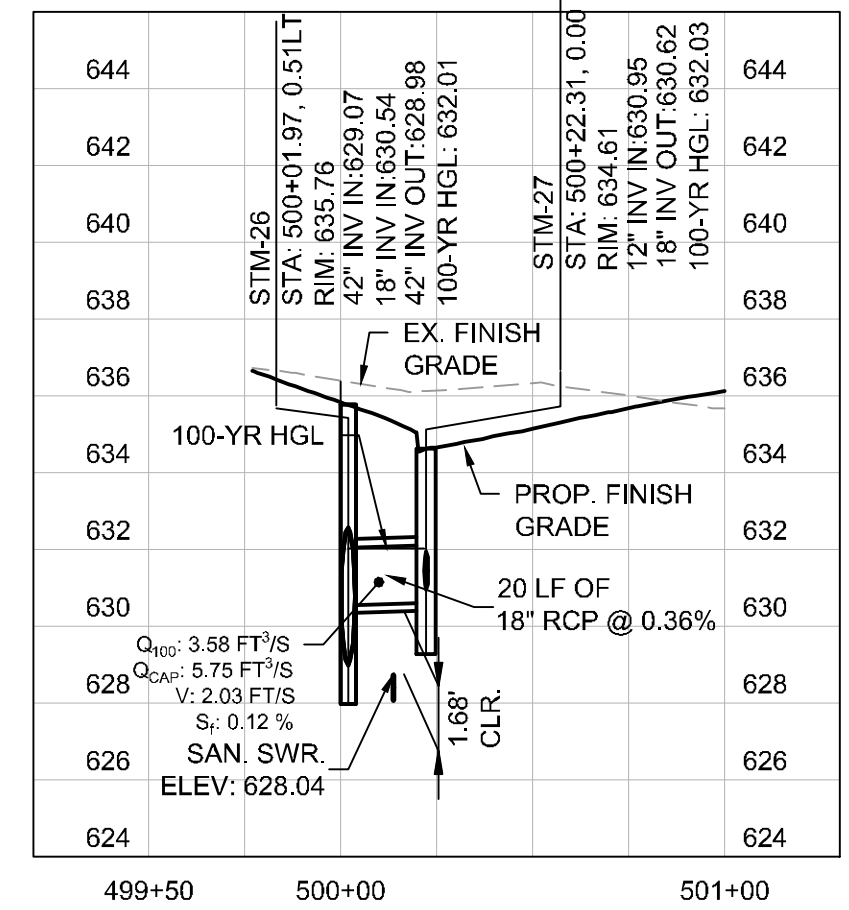
SD-3



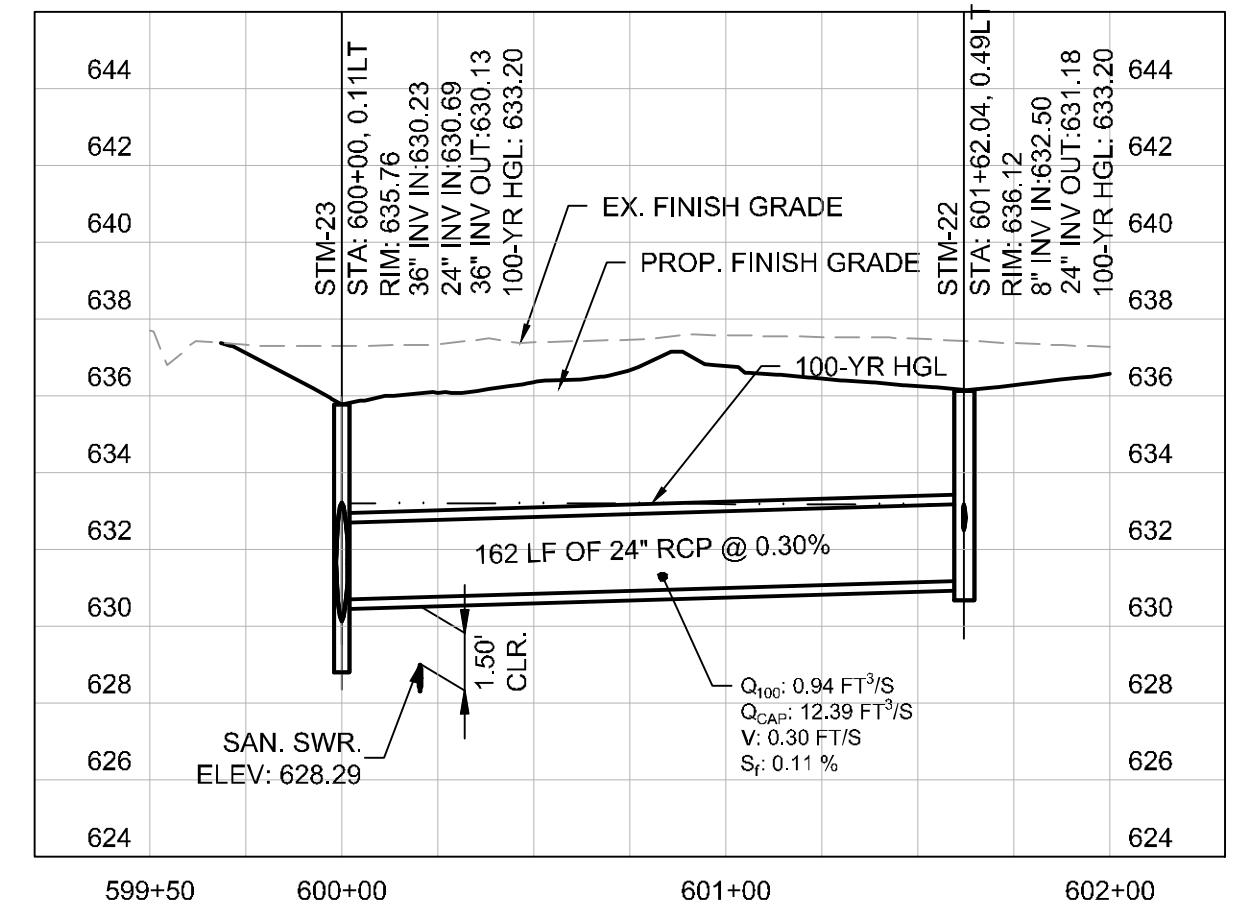
SD-4



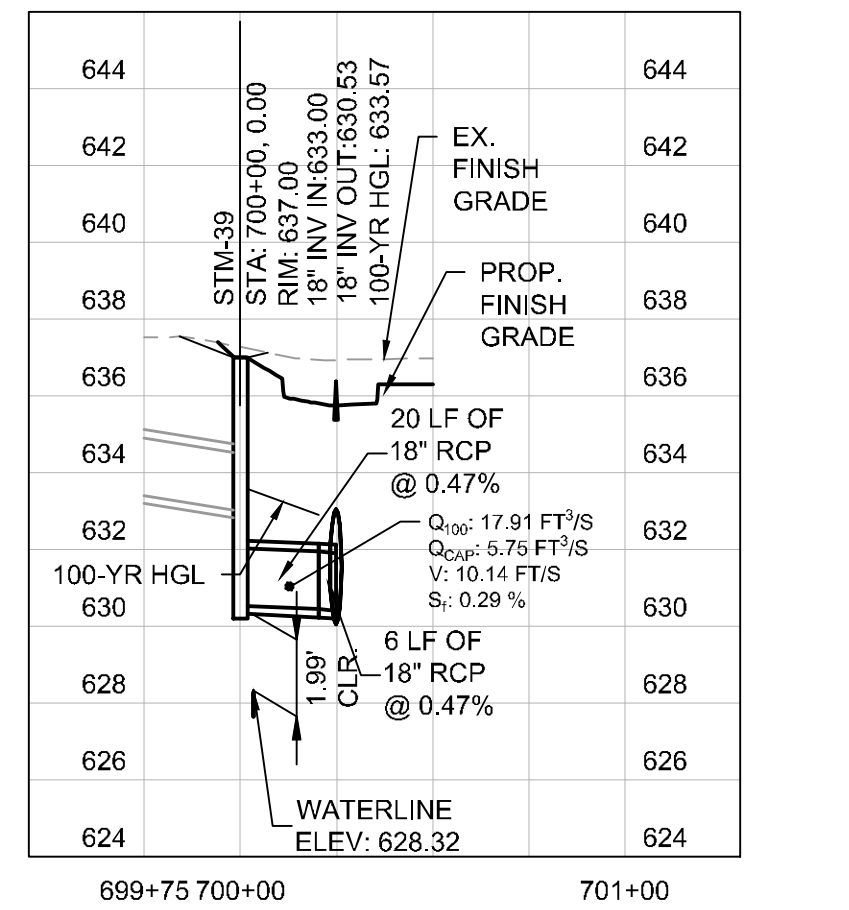
SD-5



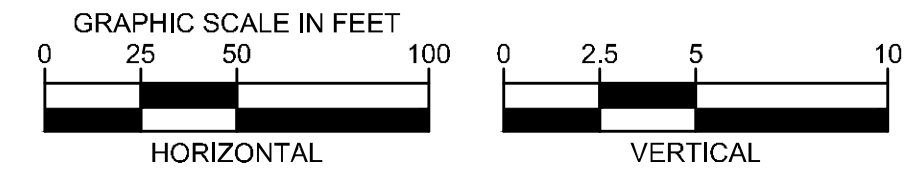
SD-6



SD-7



- NOTE:
- ALL RCP PIPES FOR SD-1 MUST BE CLASS V.
  - CONCRETE ENCASE ALL UTILITY CROSSING AT ALL TIMES TO PROTECT AGAINST WEIGHT AND FUTURE SETTLING.



**Kimley-Horn**  
 © 2019 KIMLEY-HORN AND ASSOCIATES, INC.  
 1400 WOODLICK FOREST DRIVE, SUITE 225  
 DALLAS, TEXAS 75243  
 PHONE: 281-475-2816  
 TBP# FIRM REGISTRATION F-928  
 WWW.KIMLEY-HORN.COM

**ADDISON GALAXY FBO**  
 15601 ADDISON RD.  
 PREPARED FOR:  
**BLACK FOREST VENTURE**

DALLAS, TEXAS  
 ADDISON

KHA PROJECT: 067792503  
 DATE: 2/21/2020  
 SCALE: AS SHOWN  
 DESIGNED BY: HCV  
 DRAWN BY: EC EAC  
 CHECKED BY: HCV

DATE: 04/15/20

REVISIONS: No. DATE BY

SHEET NUMBER: C12.08

