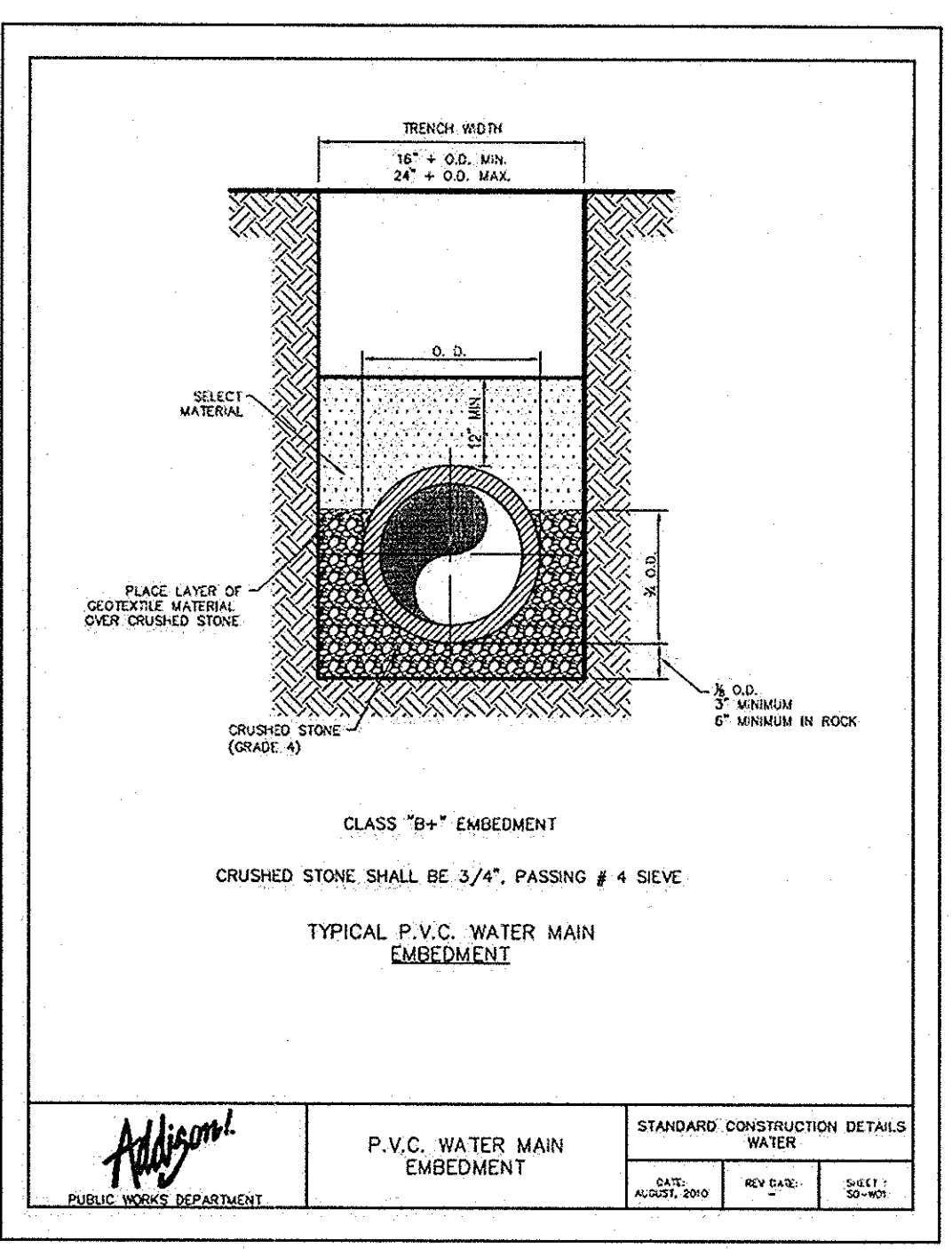
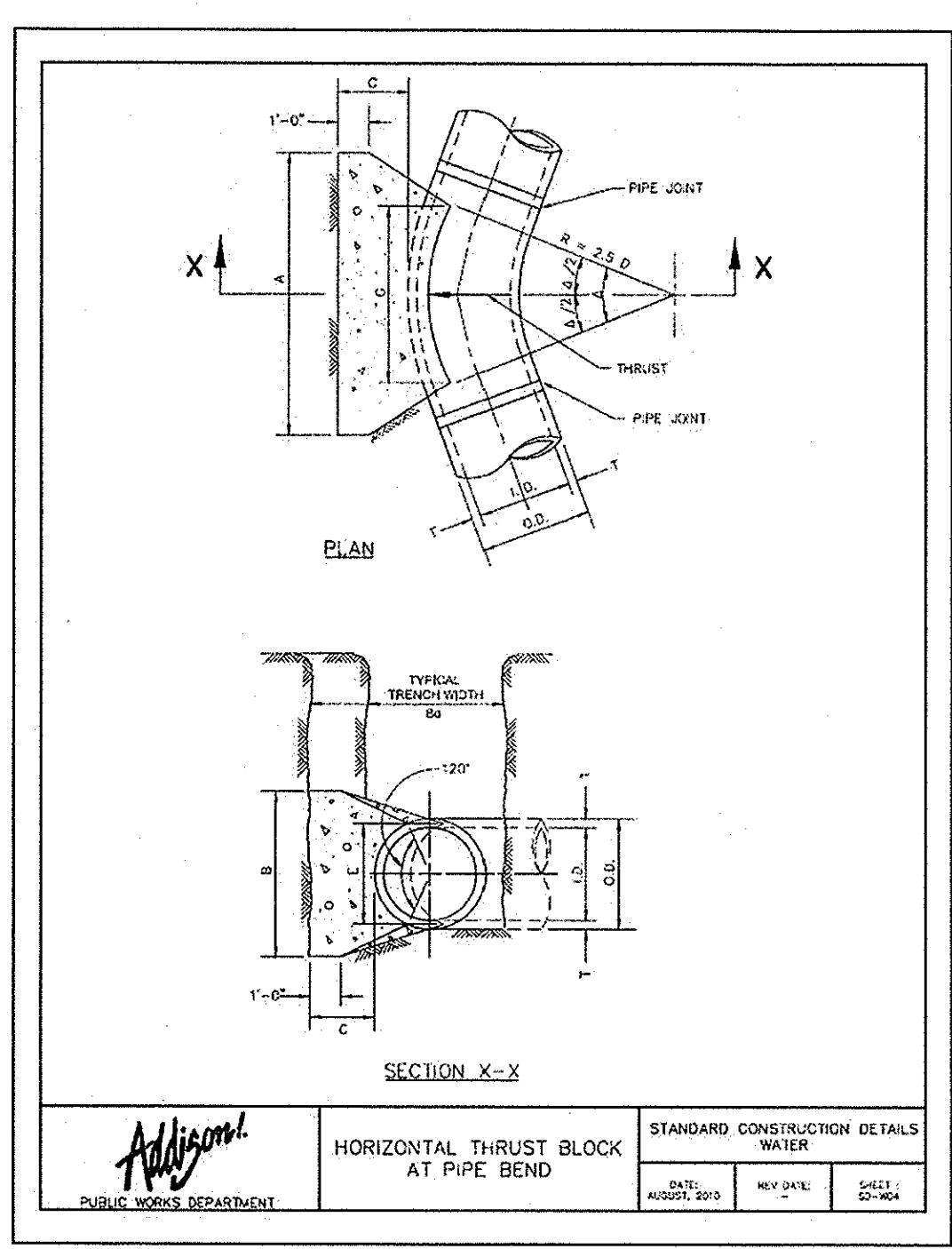


REVISIONS: DATE: BY: NO.



 PUBLIC WORKS DEPARTMENT	P.V.C. WATER MAIN EMBEDMENT	STANDARD CONSTRUCTION DETAILS WATER		
		DATE: AUGUST 2010	REV DATE:	SHEET: 30-104



 PUBLIC WORKS DEPARTMENT	HORIZONTAL THRUST BLOCK AT PIPE BEND	STANDARD CONSTRUCTION DETAILS WATER		
		DATE: AUGUST 2010	REV DATE:	SHEET: 30-104

TABLES OF DIMENSIONS AND QUANTITIES

HORIZONTAL THRUST BLOCK DIMENSIONS & QUANTITIES

I.D. (IN.)	C (IN.)	EARTH				ROCK			
		THRUST (LBS)	A (IN.)	B (IN.)	ROCK VOL. (CU YD)	THRUST (LBS)	A (IN.)	B (IN.)	ROCK VOL. (CU YD)
10.12	0.5	1.5	1.5	1.1					
16.18	0.6	1.5	1.5	1.6					
24	0.8	1.5	1.5	2.1					
30	1.0	1.5	1.5	2.6					
36	1.2	1.5	1.5	3.1					
42	1.4	1.5	1.5	3.6					
48	1.6	1.5	1.5	4.1					
54	1.8	1.5	1.5	4.6					
60	2.0	1.5	1.5	5.1					
66	2.2	1.5	1.5	5.6					
72	2.4	1.5	1.5	6.1					
78	2.6	1.5	1.5	6.6					
84	2.8	1.5	1.5	7.1					
90	3.0	1.5	1.5	7.6					
96	3.2	1.5	1.5	8.1					

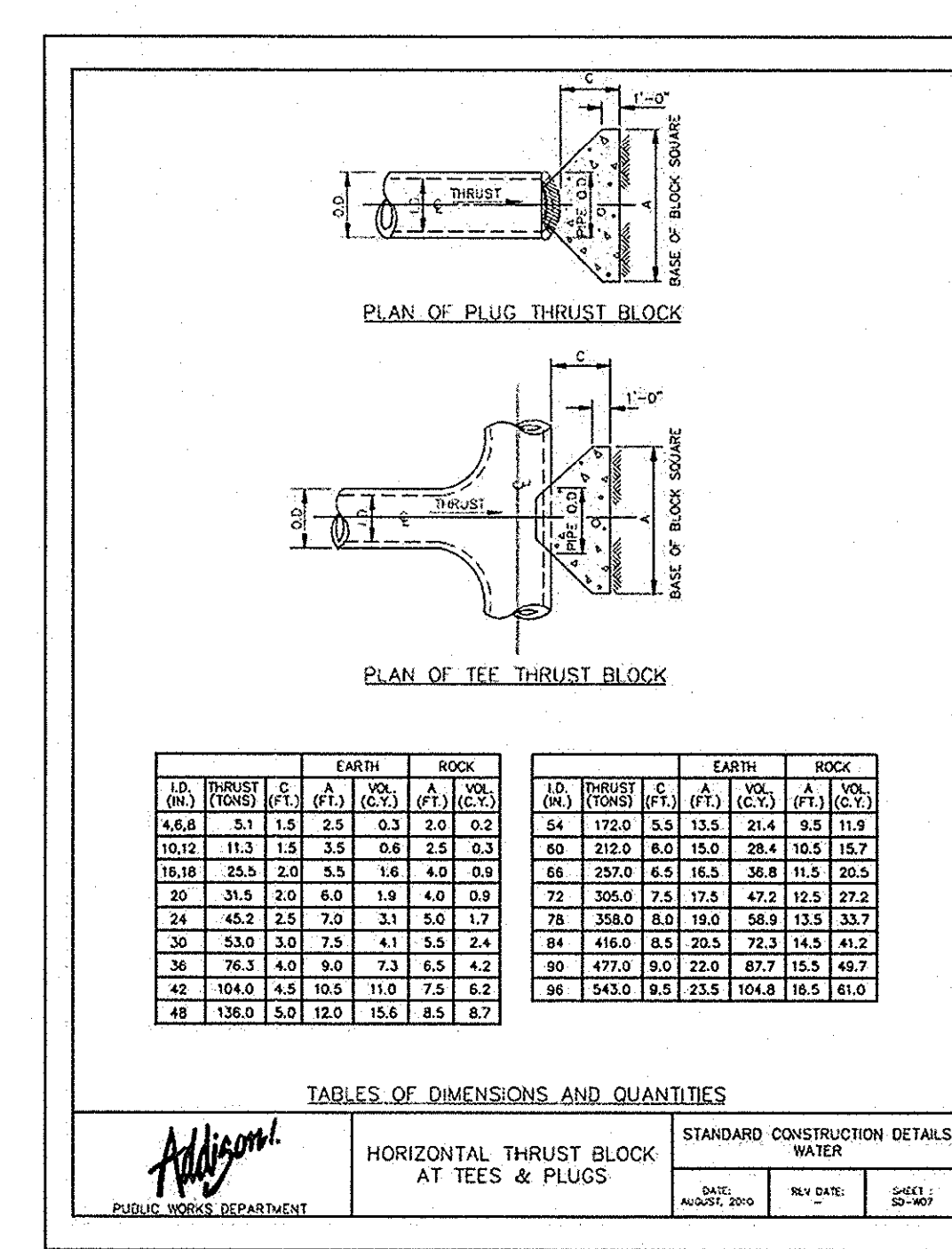
 PUBLIC WORKS DEPARTMENT	HORIZONTAL THRUST BLOCK DIMENSIONS & QUANTITIES	STANDARD CONSTRUCTION DETAILS WATER		
		DATE: AUGUST 2010	REV DATE:	SHEET: 30-104

TABLES OF DIMENSIONS AND QUANTITIES

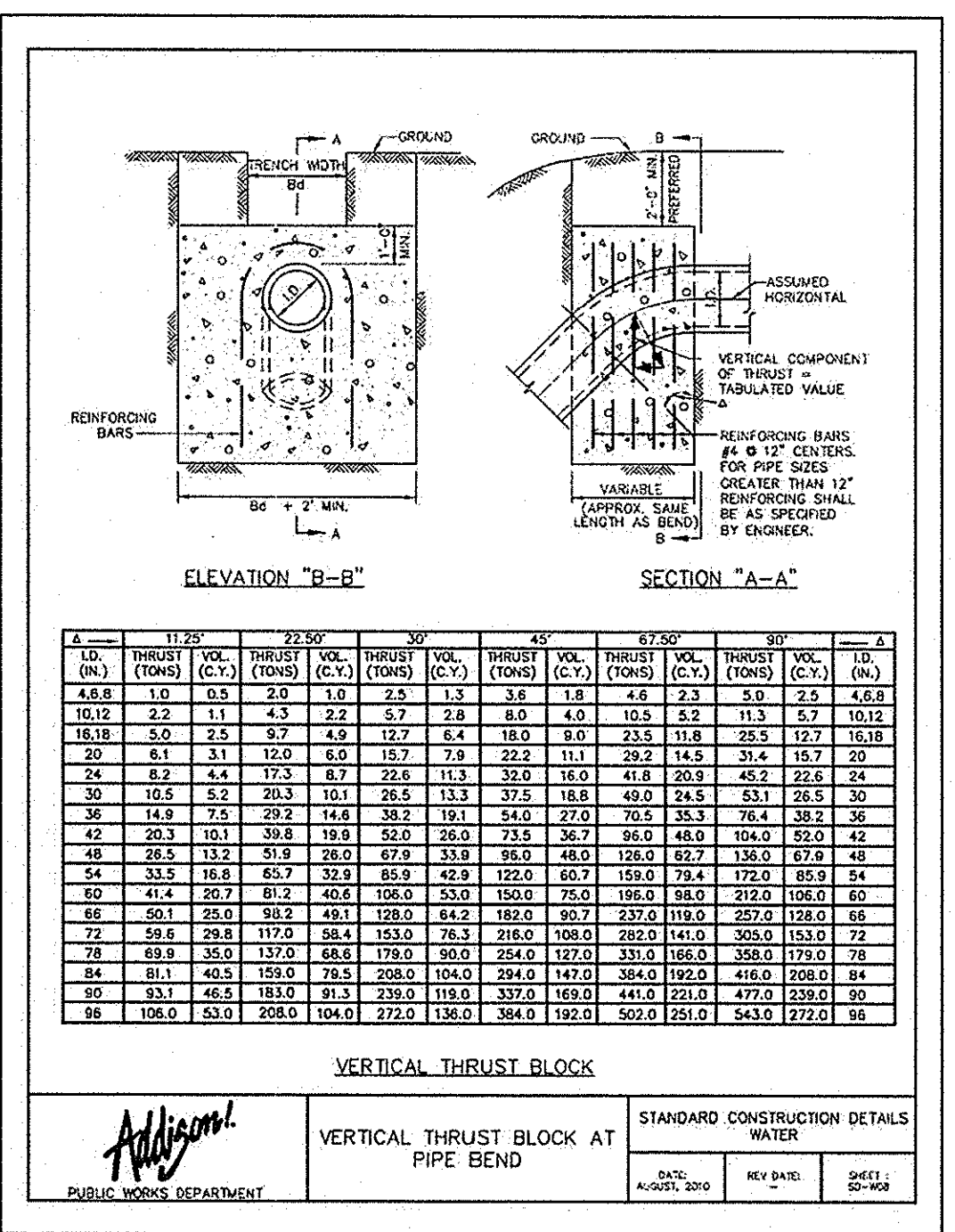
HORIZONTAL THRUST BLOCK DIMENSIONS & QUANTITIES

I.D. (IN.)	C (IN.)	EARTH				ROCK			
		THRUST (LBS)	A (IN.)	B (IN.)	ROCK VOL. (CU YD)	THRUST (LBS)	A (IN.)	B (IN.)	ROCK VOL. (CU YD)
10.12	0.5	1.5	1.5	1.1					
16.18	0.6	1.5	1.5	1.6					
24	0.8	1.5	1.5	2.1					
30	1.0	1.5	1.5	2.6					
36	1.2	1.5	1.5	3.1					
42	1.4	1.5	1.5	3.6					
48	1.6	1.5	1.5	4.1					
54	1.8	1.5	1.5	4.6					
60	2.0	1.5	1.5	5.1					
66	2.2	1.5	1.5	5.6					
72	2.4	1.5	1.5	6.1					
78	2.6	1.5	1.5	6.6					
84	2.8	1.5	1.5	7.1					
90	3.0	1.5	1.5	7.6					
96	3.2	1.5	1.5	8.1					

 PUBLIC WORKS DEPARTMENT	HORIZONTAL THRUST BLOCK DIMENSIONS & QUANTITIES	STANDARD CONSTRUCTION DETAILS WATER		
		DATE: AUGUST 2010	REV DATE:	SHEET: 30-104



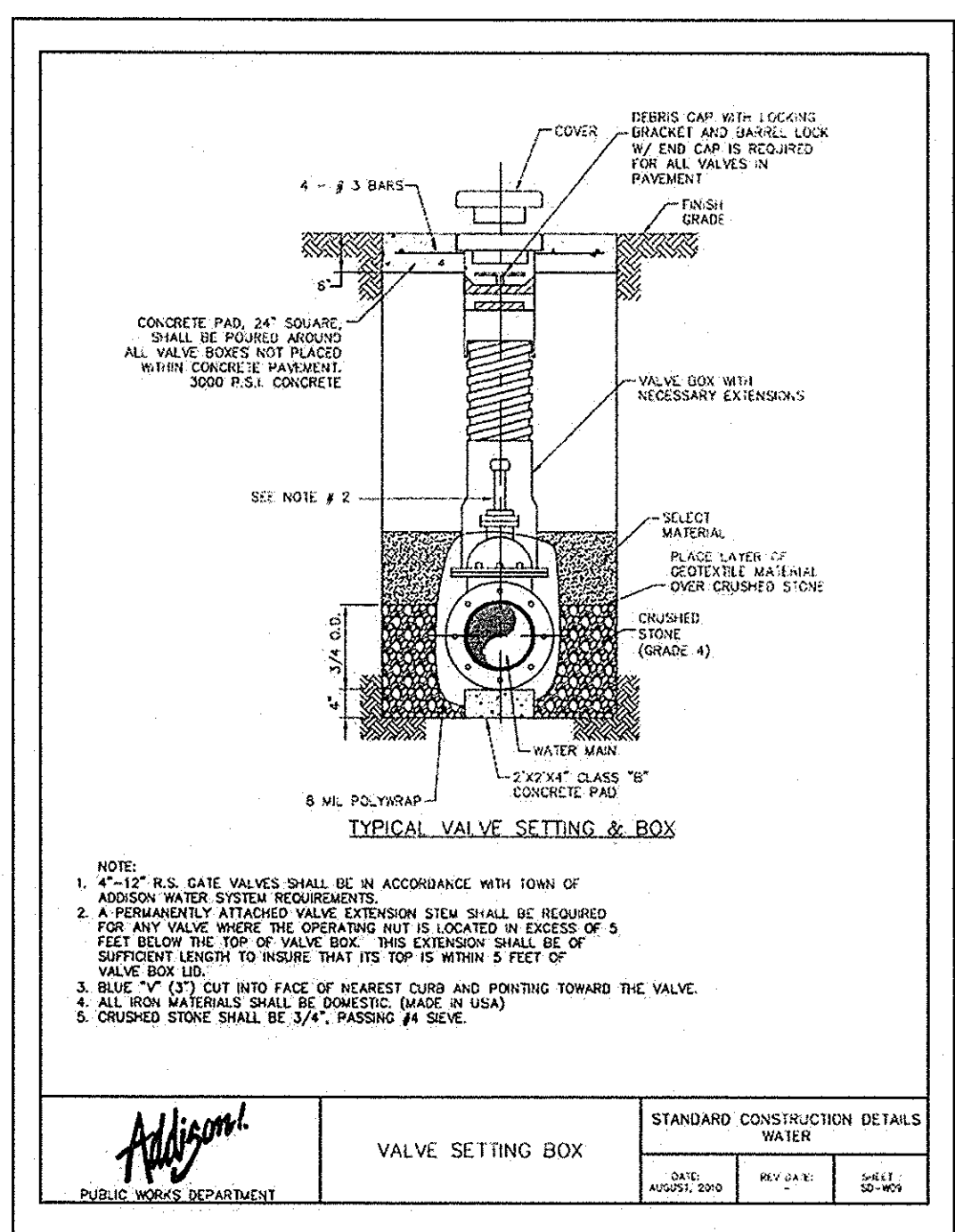
 PUBLIC WORKS DEPARTMENT	HORIZONTAL THRUST BLOCK AT TEES & PLUGS	STANDARD CONSTRUCTION DETAILS WATER		
		DATE: AUGUST 2010	REV DATE:	SHEET: 30-104



VERTICAL THRUST BLOCK

I.D. (IN.)	THRUST (LBS)	EARTH		ROCK	
		A (IN.)	B (IN.)	A (IN.)	B (IN.)
10.12	0.5	1.5	1.5	1.1	0.8
16.18	0.6	1.5	1.5	1.6	1.1
24	0.8	1.5	1.5	2.1	1.4
30	1.0	1.5	1.5	2.6	1.7
36	1.2	1.5	1.5	3.1	2.0
42	1.4	1.5	1.5	3.6	2.3
48	1.6	1.5	1.5	4.1	2.6
54	1.8	1.5	1.5	4.6	2.9
60	2.0	1.5	1.5	5.1	3.2
66	2.2	1.5	1.5	5.6	3.5
72	2.4	1.5	1.5	6.1	3.8
78	2.6	1.5	1.5	6.6	4.1
84	2.8	1.5	1.5	7.1	4.4
90	3.0	1.5	1.5	7.6	4.7
96	3.2	1.5	1.5	8.1	5.0

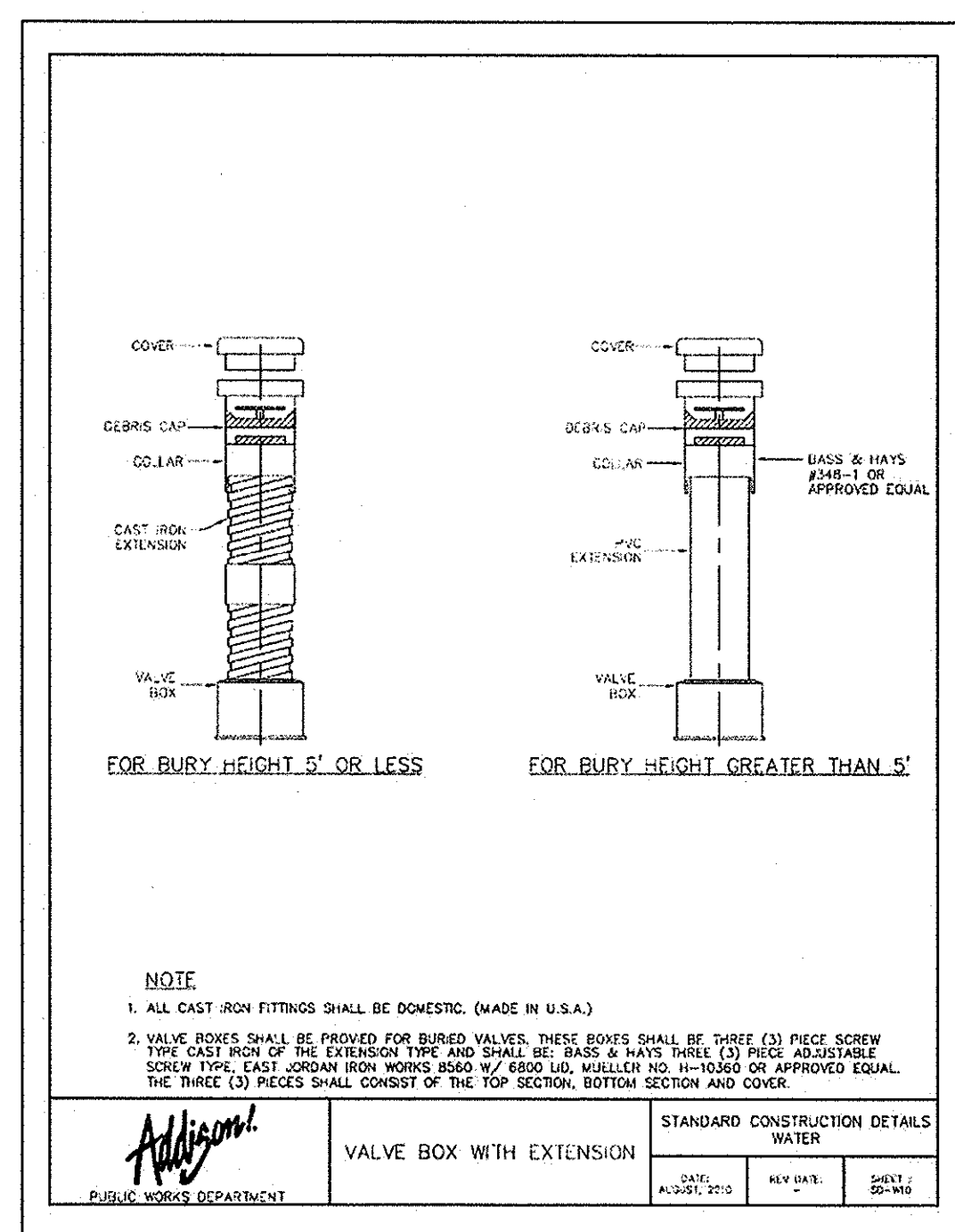
 PUBLIC WORKS DEPARTMENT	VERTICAL THRUST BLOCK AT PIPE BEND	STANDARD CONSTRUCTION DETAILS WATER		
		DATE: AUGUST 2010	REV DATE:	SHEET: 30-104



NOTE:

- 4" - 12" R.S. GATE VALVES SHALL BE IN ACCORDANCE WITH TOWN OF ADDISON WATER SYSTEM REQUIREMENTS.
- A PERMANENTLY ATTACHED VALVE EXTENSION SHALL BE REQUIRED FOR ALL VALVES. THE OPERATING END IS LOCATED IN BUSES OF 5 FEET BELOW THE TOP OF VALVE BOX. THIS EXTENSION SHALL BE OF SUFFICIENT LENGTH TO INSURE THAT IT TOP IS WITHIN 5 FEET OF VALVE BOX LID.
- BLUE "V" PUT INTO FACE OF NEAREST CURB AND POINTING TOWARD THE VALVE.
- ALL IRON MATERIALS SHALL BE DOMESTIC (MADE IN USA).
- CRUSHED STONE SHALL BE 3/4", PASSING # 4 SIEVE.

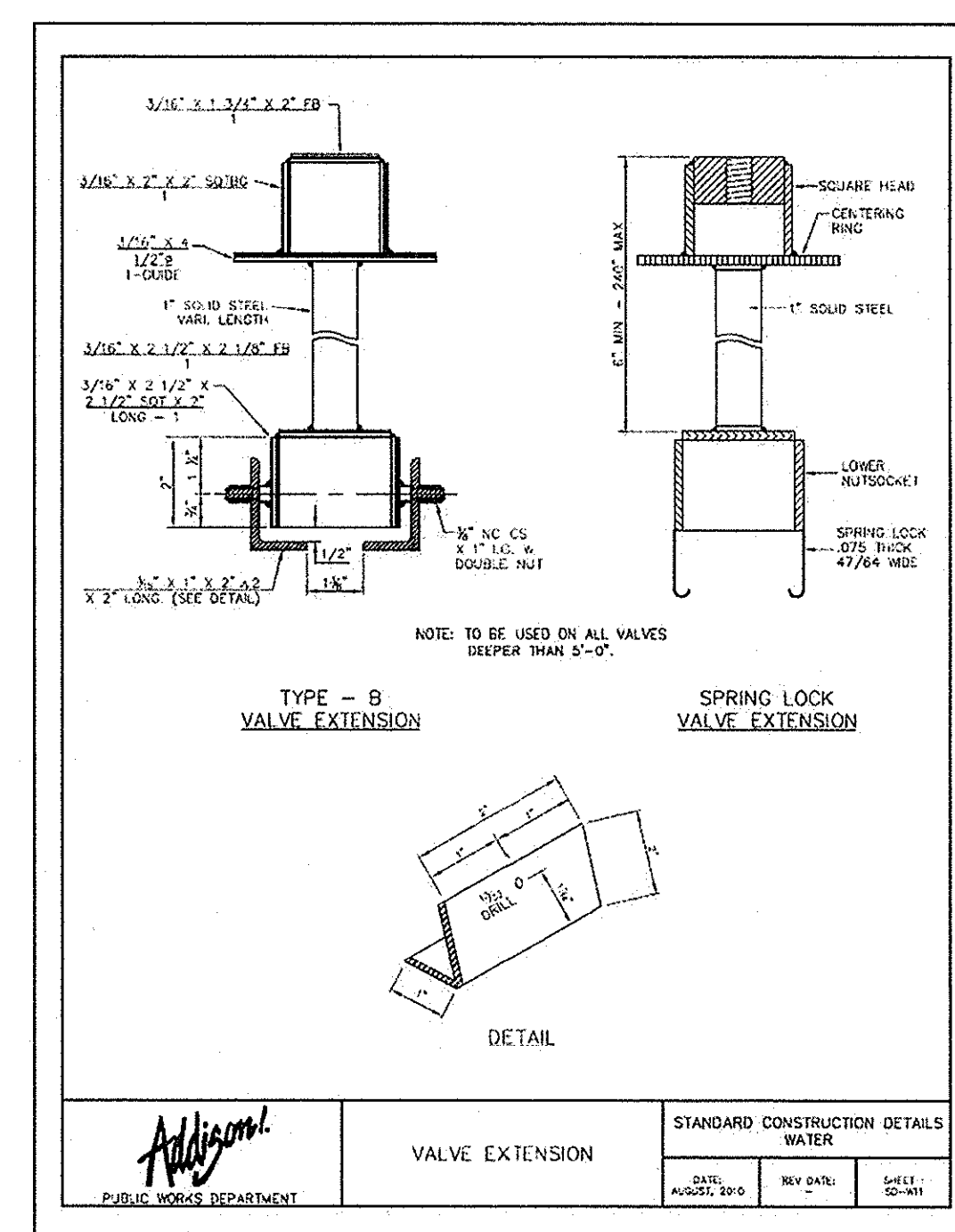
 PUBLIC WORKS DEPARTMENT	VALVE SETTING BOX	STANDARD CONSTRUCTION DETAILS WATER		
		DATE: AUGUST 2010	REV DATE:	SHEET: 30-104



NOTE:

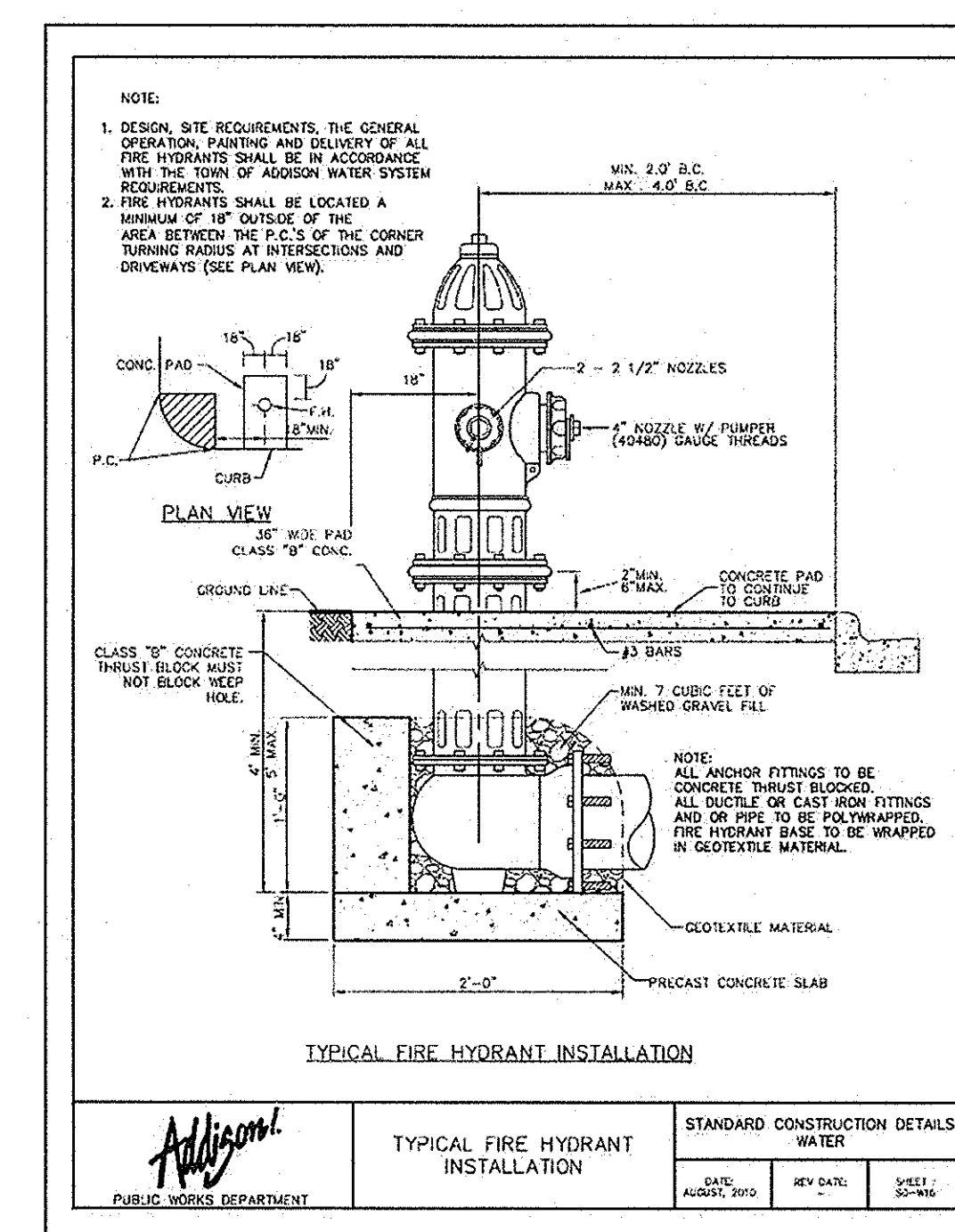
- ALL CAST IRON FITTINGS SHALL BE DOMESTIC (MADE IN U.S.A.)
- VALVE BOXES SHALL BE PROVIDED FOR BURIED VALVES. THESE BOXES SHALL BE SHIPPED (3) PIECE SIZES: TYPE CAST IRON OF THE EXTENSION TYPE AND SHALL BE BASE & HAYS (2) PIECE AND ADJUSTABLE SLOW TYPE, EAST CORDON IRON WORKS #340 W/ 6800 LID, WALKER NO. 11-1040 OR APPROVED EQUAL. THE THREE (3) PIECES SHALL CONSIST OF THE TOP SECTION, BOTTOM SECTION AND COVER.

 PUBLIC WORKS DEPARTMENT	VALVE BOX WITH EXTENSION	STANDARD CONSTRUCTION DETAILS WATER		
		DATE: AUGUST 2010	REV DATE:	SHEET: 30-104



NOTE: TO BE USED ON ALL VALVES DEEPER THAN 5'-0".

 PUBLIC WORKS DEPARTMENT	VALVE EXTENSION	STANDARD CONSTRUCTION DETAILS WATER		
		DATE: AUGUST 2010	REV DATE:	SHEET: 30-104

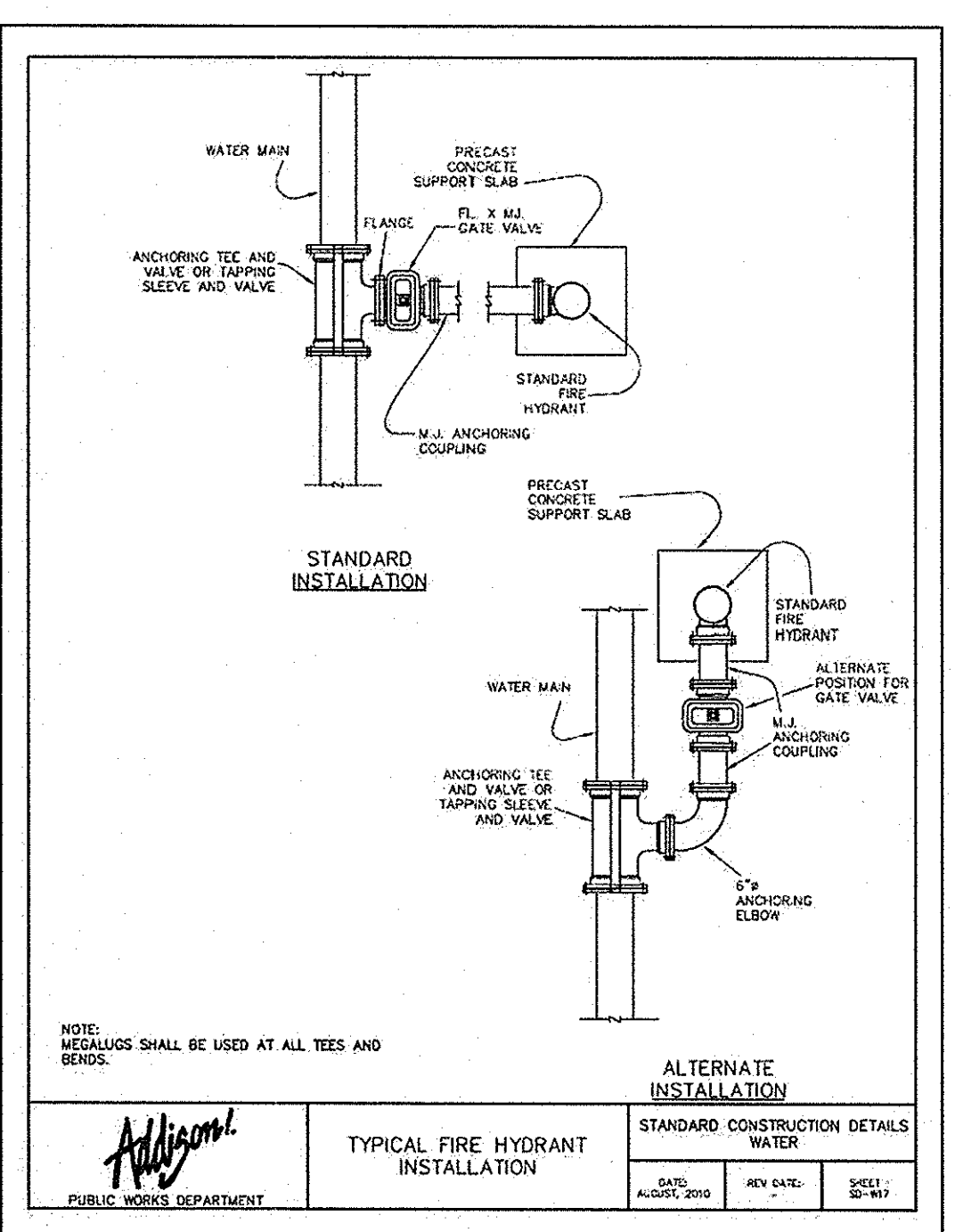


NOTE:

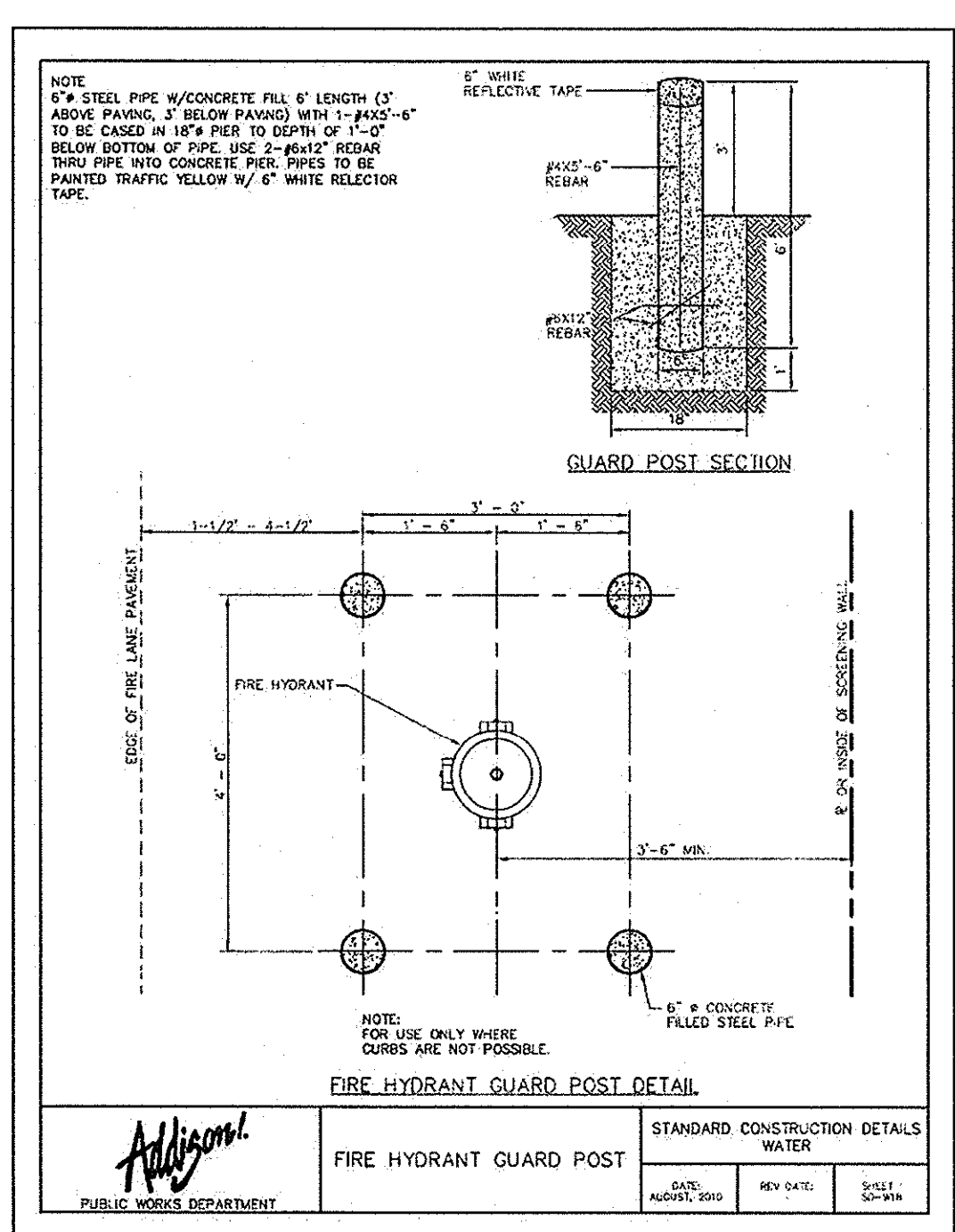
- DESIGN SITE REQUIREMENTS, THE GENERAL OPERATION, PAINTING AND DELIVERY OF ALL FIRE HYDRANTS SHALL BE IN ACCORDANCE WITH THE TOWN OF ADDISON WATER SYSTEM REQUIREMENTS.
- FIRE HYDRANTS SHALL BE LOCATED A MINIMUM OF 10' OUTSIDE OF THE TURNING RADIUS AT INTERSECTIONS AND DRIVEWAYS (SEE PLAN VIEW).

NOTE: ALL ANCHOR FITTINGS TO BE CONCRETE THREADED BUSHINGS. ALL COUPLER OR CAST IRON FITTINGS AND OR PIPE TO BE POLYWRAPPED. FIRE HYDRANTS SHALL BE WRAPPED IN GEOTEXTILE MATERIAL.

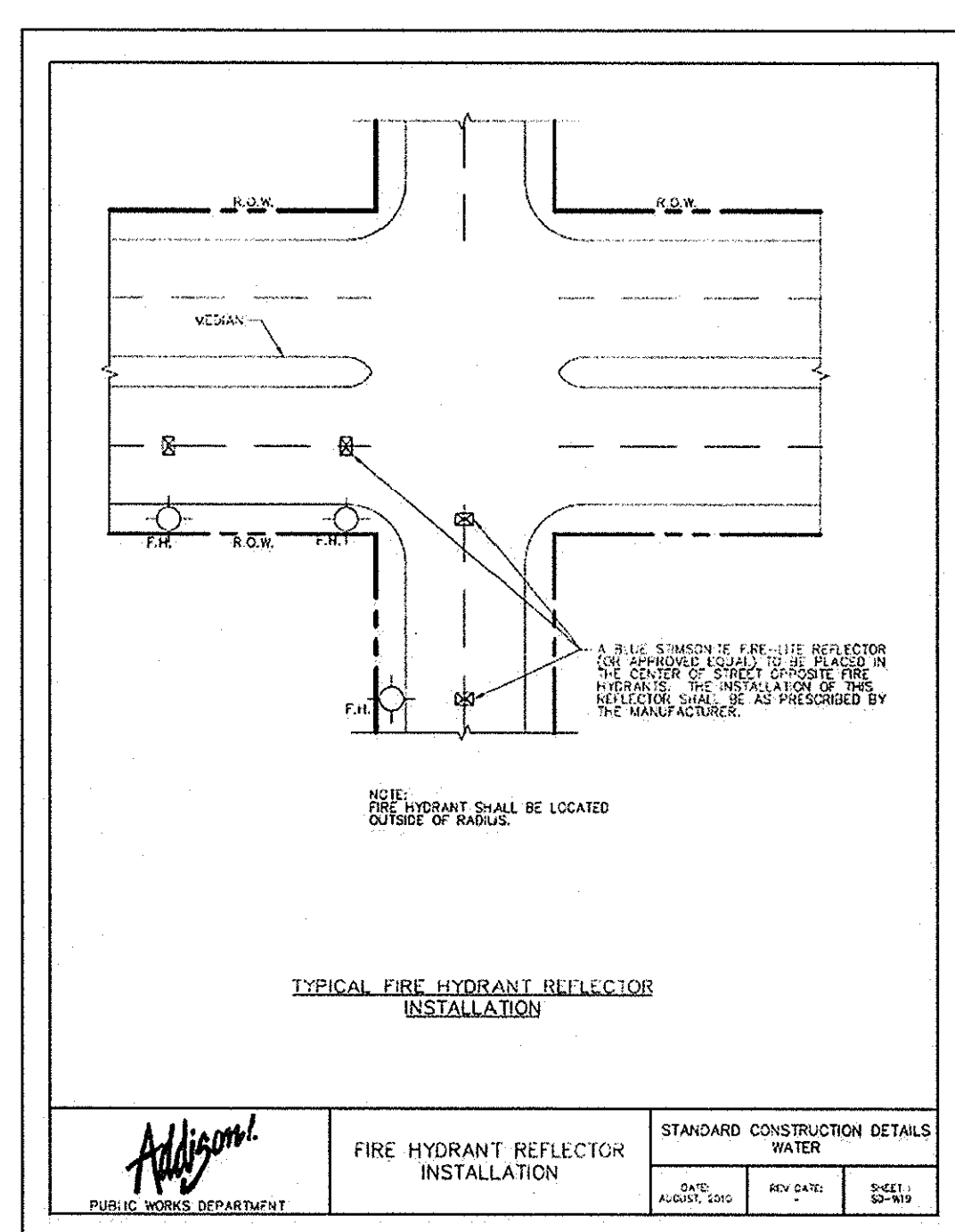
 PUBLIC WORKS DEPARTMENT	TYPICAL FIRE HYDRANT INSTALLATION	STANDARD CONSTRUCTION DETAILS WATER		
		DATE: AUGUST 2010	REV DATE:	SHEET: 30-104



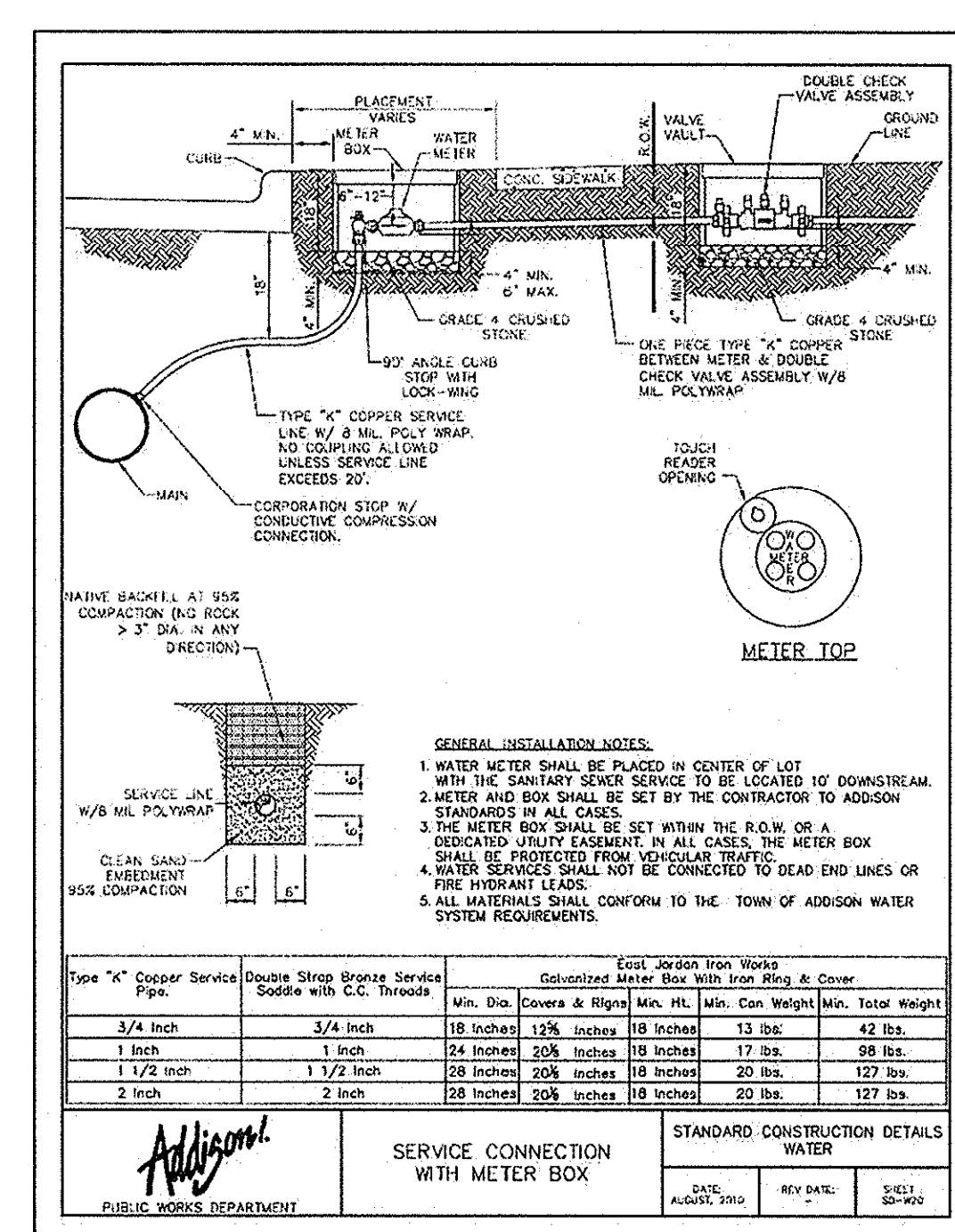
 PUBLIC WORKS DEPARTMENT	TYPICAL FIRE HYDRANT INSTALLATION	STANDARD CONSTRUCTION DETAILS WATER		
		DATE: AUGUST 2010	REV DATE:	SHEET: 30-104



 PUBLIC WORKS DEPARTMENT	FIRE HYDRANT GUARD POST	STANDARD CONSTRUCTION DETAILS WATER		
		DATE: AUGUST 2010	REV DATE:	SHEET: 30-104



 PUBLIC WORKS DEPARTMENT	FIRE HYDRANT REFLECTOR INSTALLATION	STANDARD CONSTRUCTION DETAILS WATER		
		DATE: AUGUST 2010	REV DATE:	SHEET: 30-104



GENERAL INSTALLATION NOTES:

- WATER METER SHALL BE PLACED IN CENTER OF LOT WITH THE SANITARY SERVICE TO BE LOCATED TO DOWNSTREAM.
- METER AND BOX SHALL BE SET BY THE CONTRACTOR TO ADDISON STANDARDS FOR ALL CASES.
- THE METER BOX SHALL BE SET WITHIN THE R.O.W. OR A DESIGNATED UTILITY EASEMENT. IN ALL CASES, THE METER BOX SHALL BE SET WITHIN 20 FEET FROM VEHICULAR TRAFFIC.
- METER SEARCHES SHALL NOT BE CONNECTED TO DEAD END LINES OR EASEMENTS.
- ALL MATERIALS SHALL CONFORM TO THE TOWN OF ADDISON WATER SYSTEM REQUIREMENTS.

Size "C" Copper Service Pipe	Service Stop Service Saddle with C.C. Threads	General Meter Box	Min. HL. (Inches)	Min. Con. (Inches)	Min. Total Height
3/4 inch	3/4 inch	18 inches	12 1/2 inches	18 inches	42 lbs.
1 inch	1 inch	24 inches	12 1/2 inches	18 inches	58 lbs.
1 1/2 inch	1 1/2 inch	28 inches	12 1/2 inches	20 inches	107 lbs.
2 inch	2 inch	36 inches	12 1/2 inches	20 inches	127 lbs.

 PUBLIC WORKS DEPARTMENT	SERVICE CONNECTION WITH METER BOX	STANDARD CONSTRUCTION DETAILS WATER		
		DATE: AUGUST 2010	REV DATE:	SHEET: 30-104

RECORD DRAWINGS (October 2013)
 Information Provided by:
BOB MOORE CONSTRUCTION

VILLAGE ON THE PARKWAY
ON THE PARKWAY
PHASE II
WATER DETAILS
ADDITION, TEXAS

KHA PROJECT 063319038
 DATE 06/14/2013
 SCALE AS SHOWN
 DESIGNED BY TBB
 DRAWN BY ALE
 CHECKED BY TBB

Kimley-Horn and Associates, Inc.
 State of Texas Registration No. F-928
 5750 GENESIS COURT, SUITE 200, FRISCO, TX 75034
 PHONE: 972-335-5550 FAX: 972-335-3779
 WWW.KIMLEY-HORN.COM

STATE OF TEXAS
 ROY BRASWELL
 LICENSED PROFESSIONAL ENGINEER
 11828 4/11/13

SHEET NUMBER
C-18