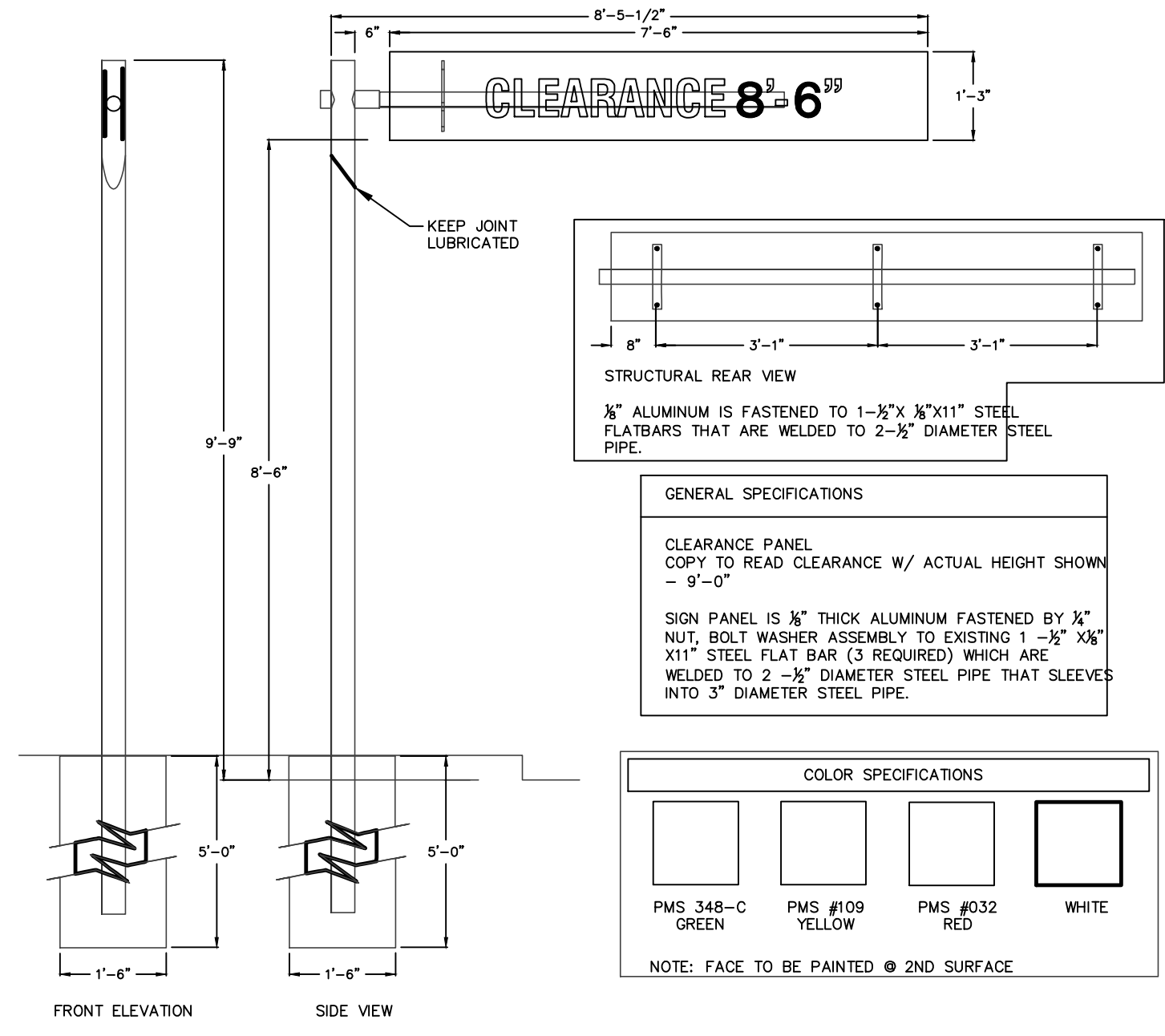
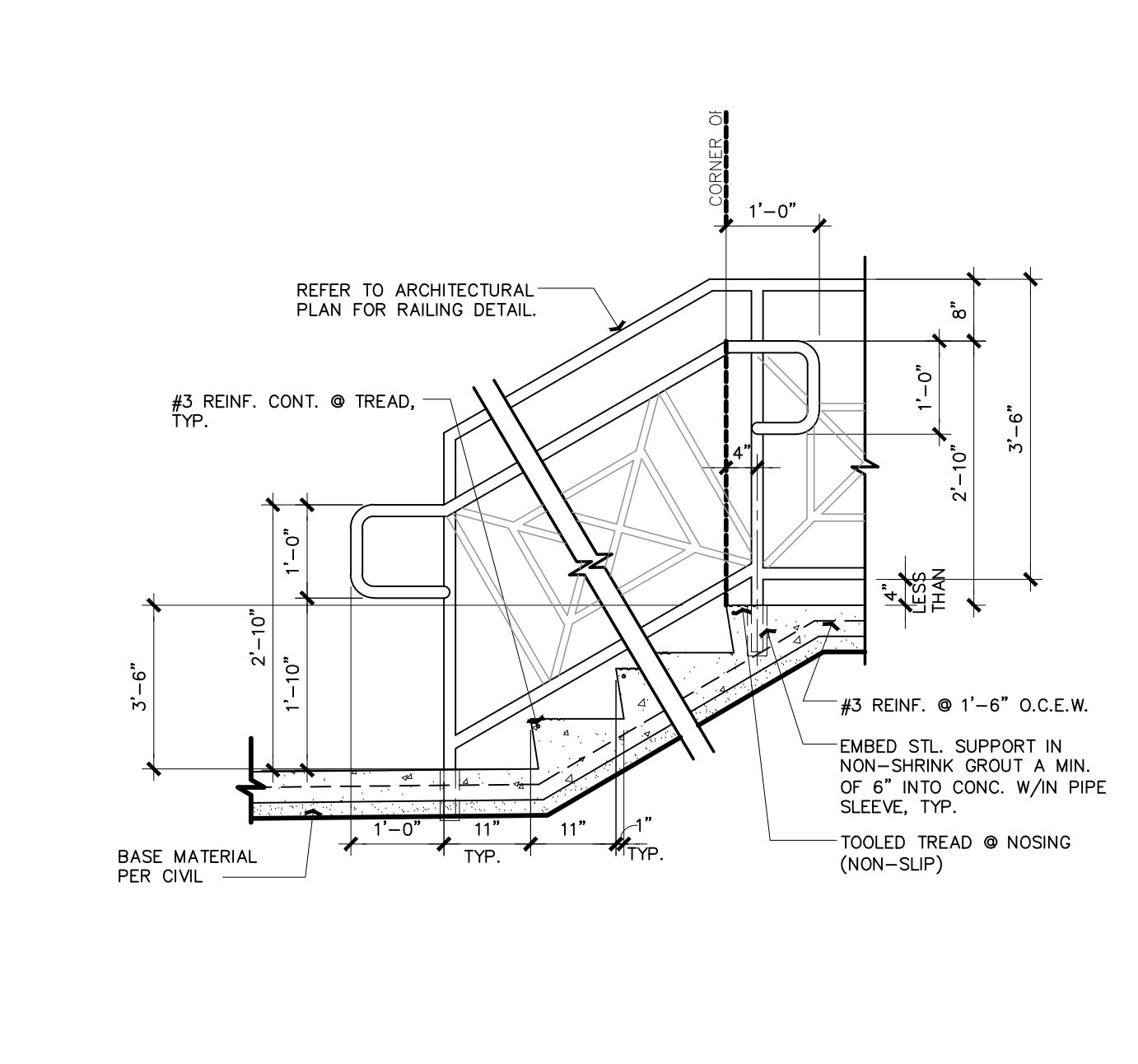


C12.1 SIGN DETAIL
SCALE: N.T.S.

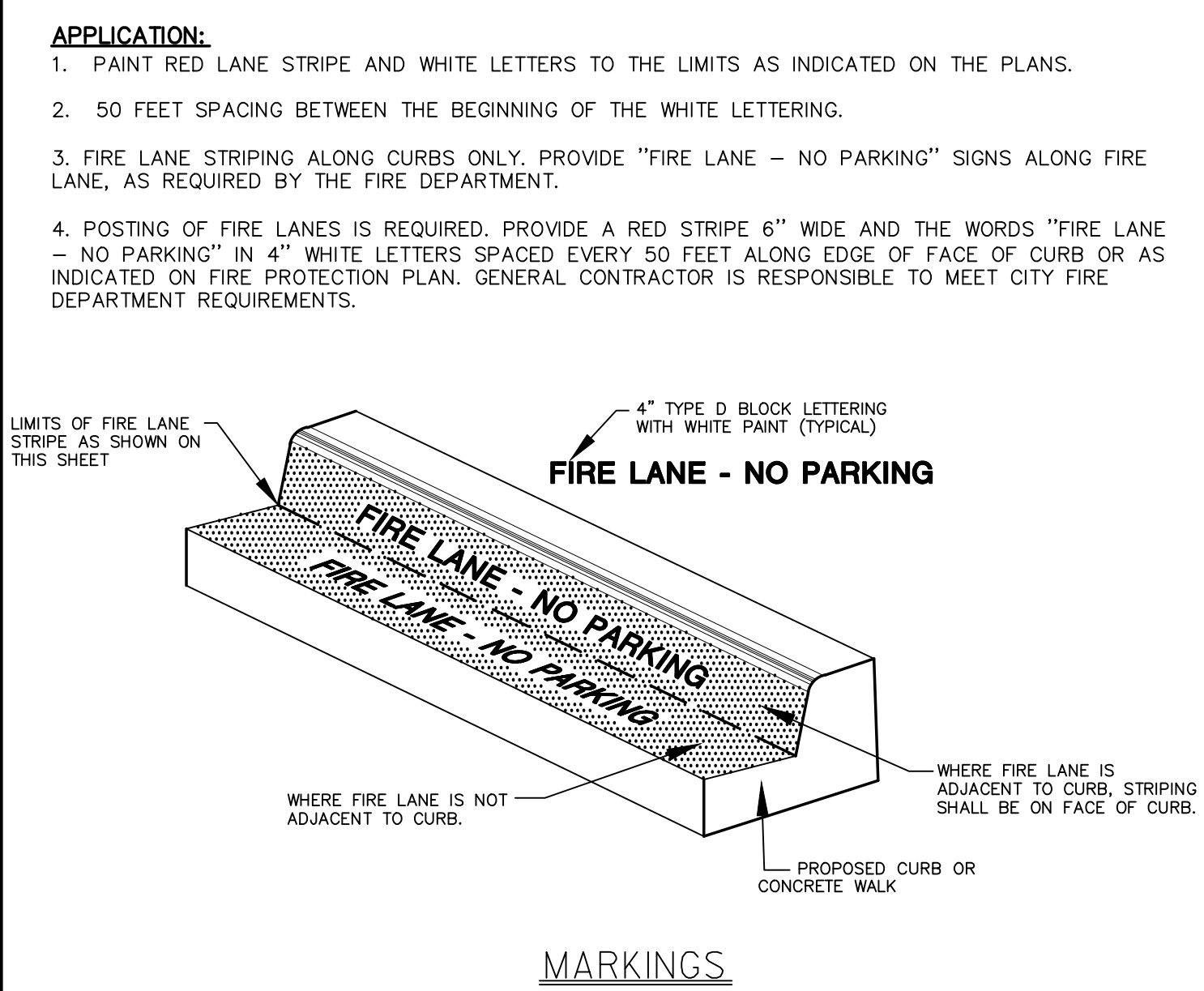


C12.2 STANDARD SWIVEL ARM CLEARANCE SIGN
SCALE: N.T.S.

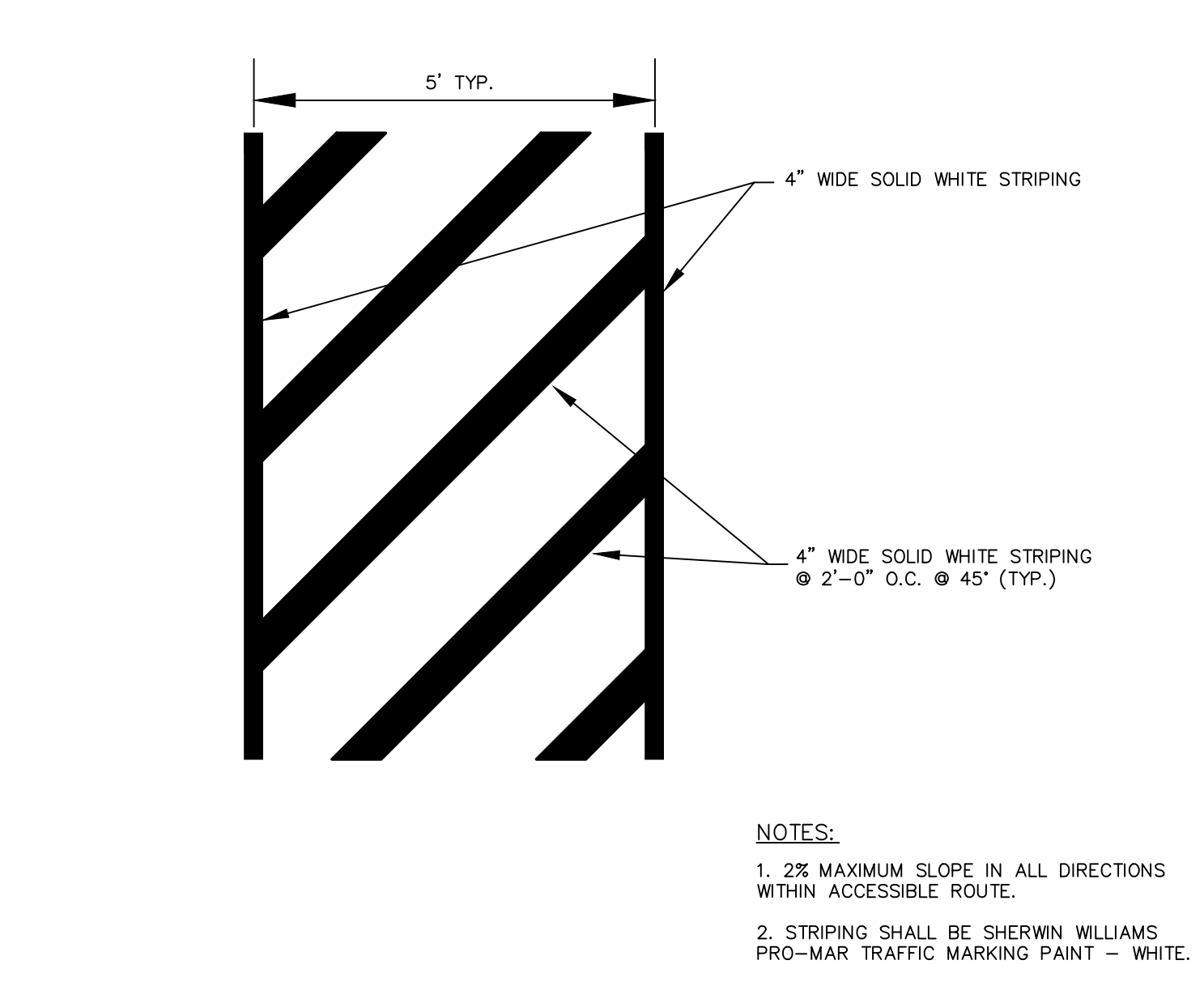
C12.3A NOT USED
SCALE: N.T.S.



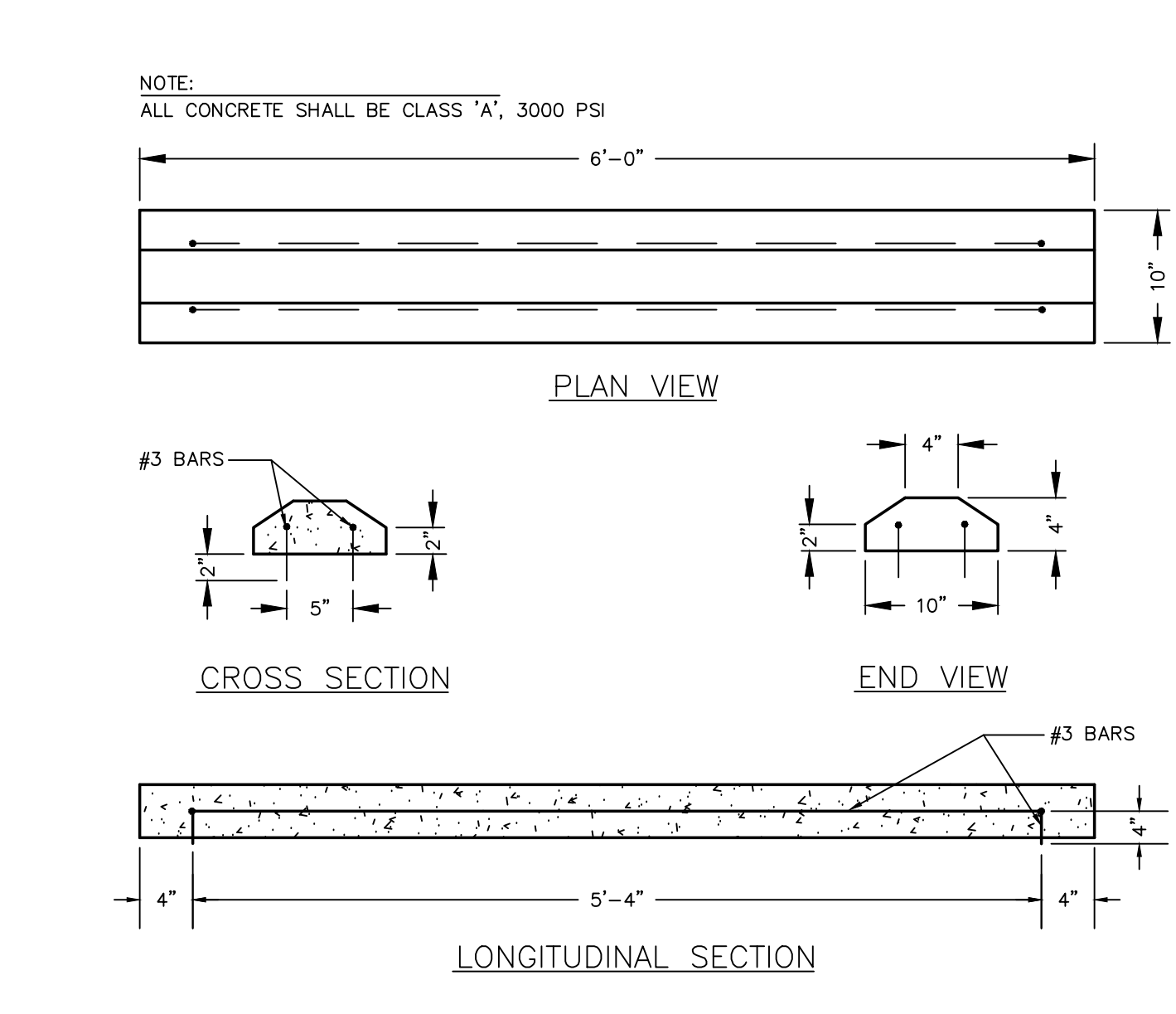
C12.3B STAIRS AND HANDRAIL
SCALE: N.T.S.



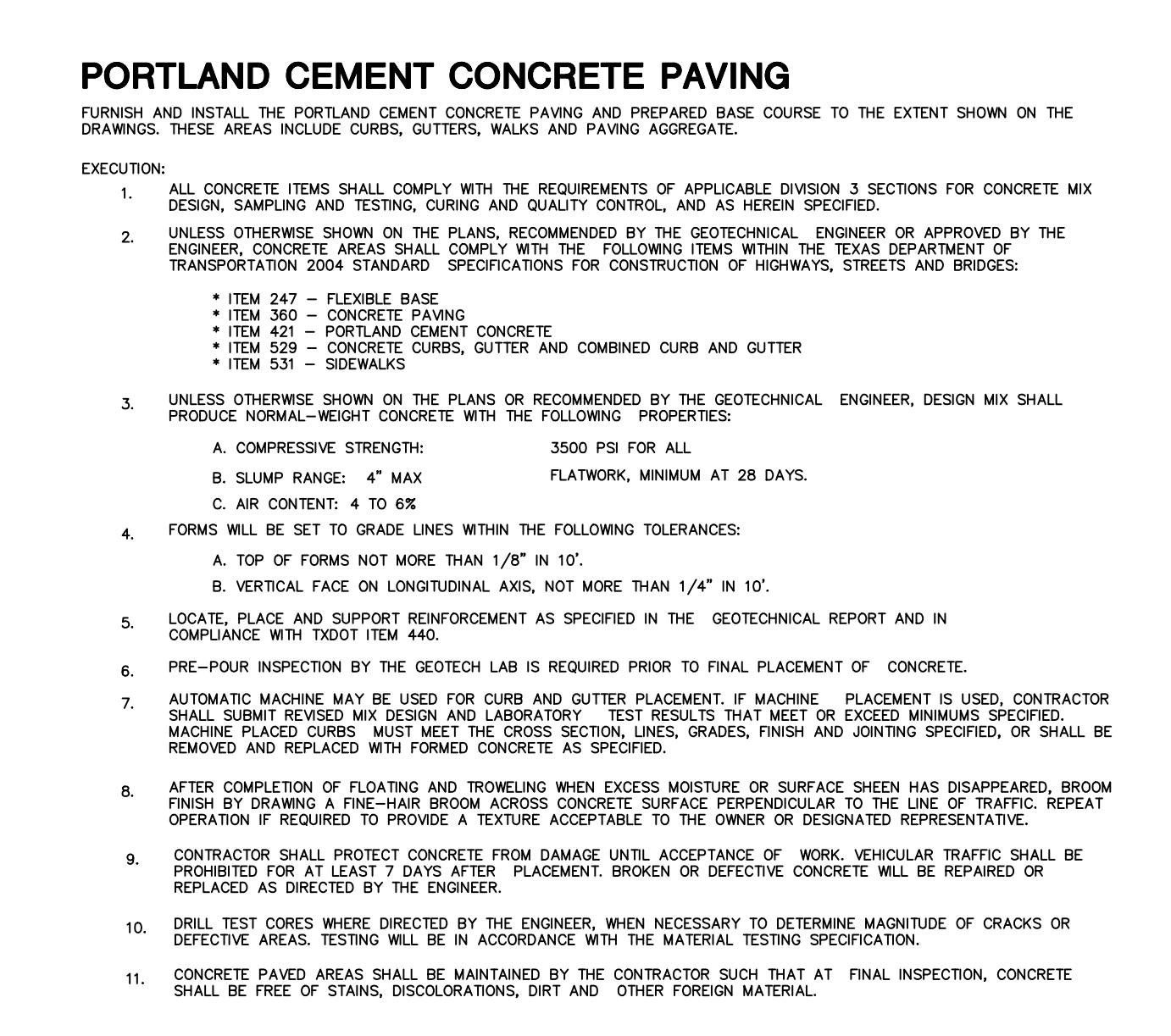
C12.5 FIRE LANE
SCALE: N.T.S.



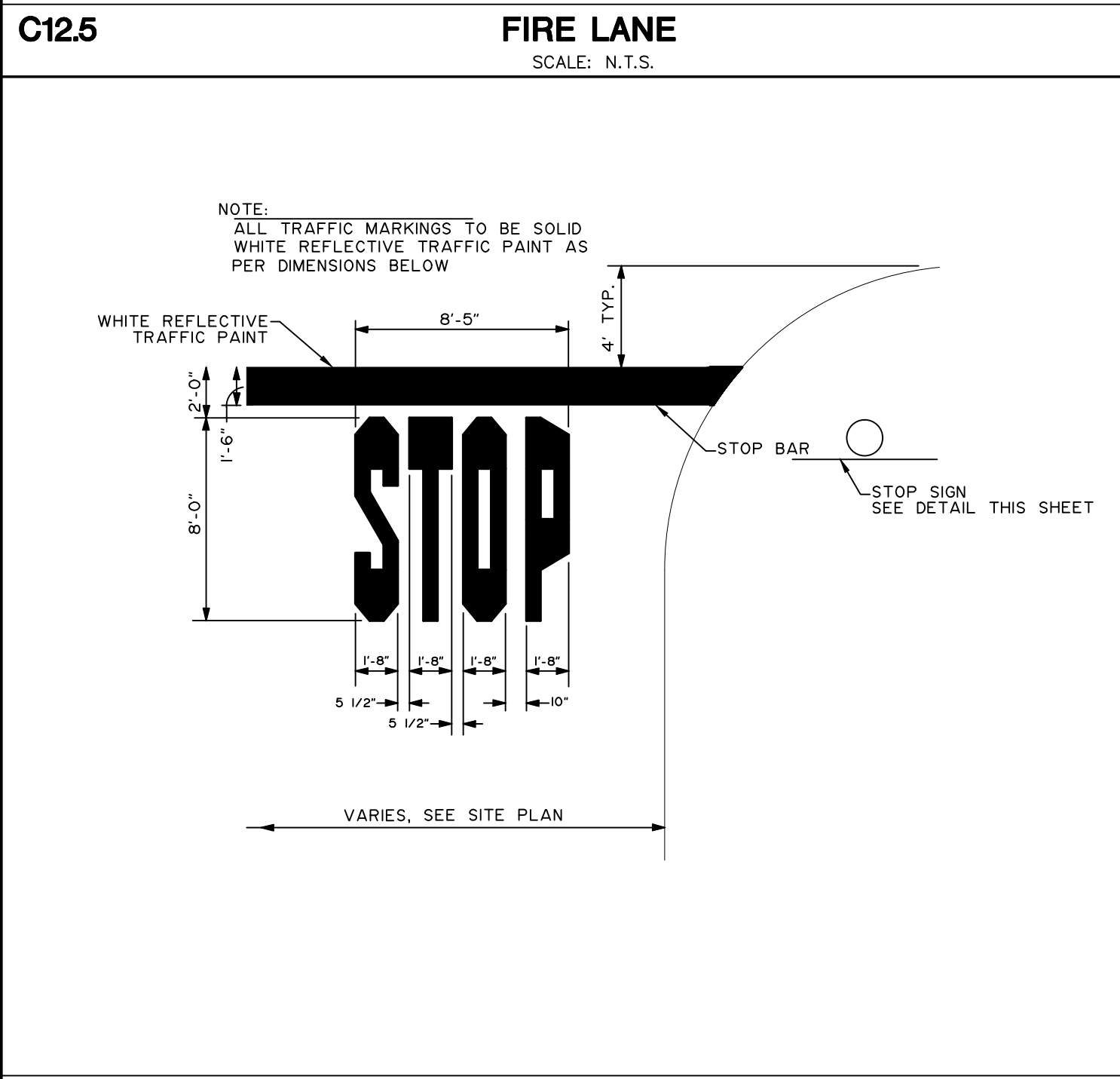
C12.6 ACCESSIBLE ROUTE STRIPING
SCALE: N.T.S.



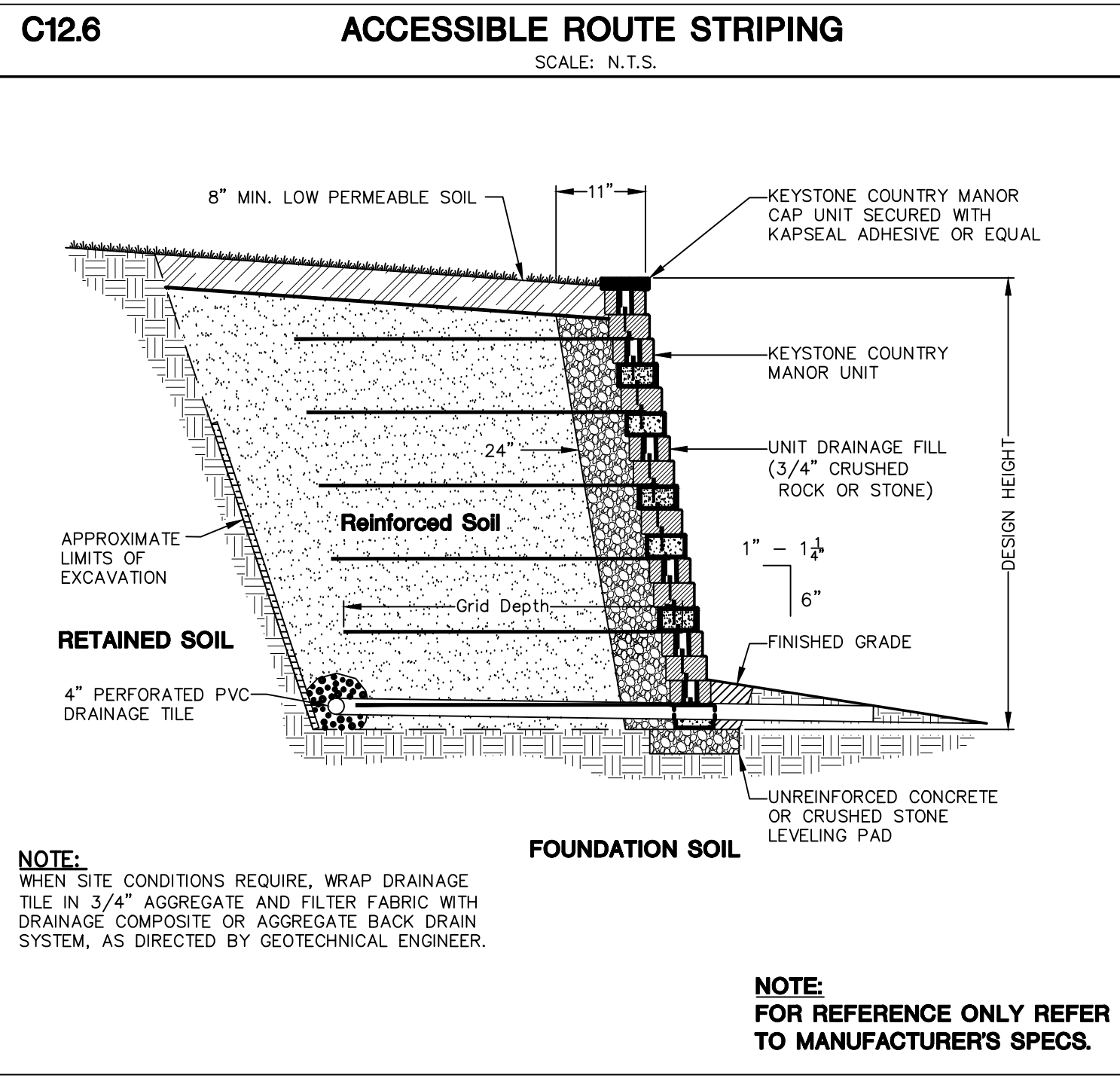
C12.7 WHEEL STOP DETAIL
SCALE: N.T.S.



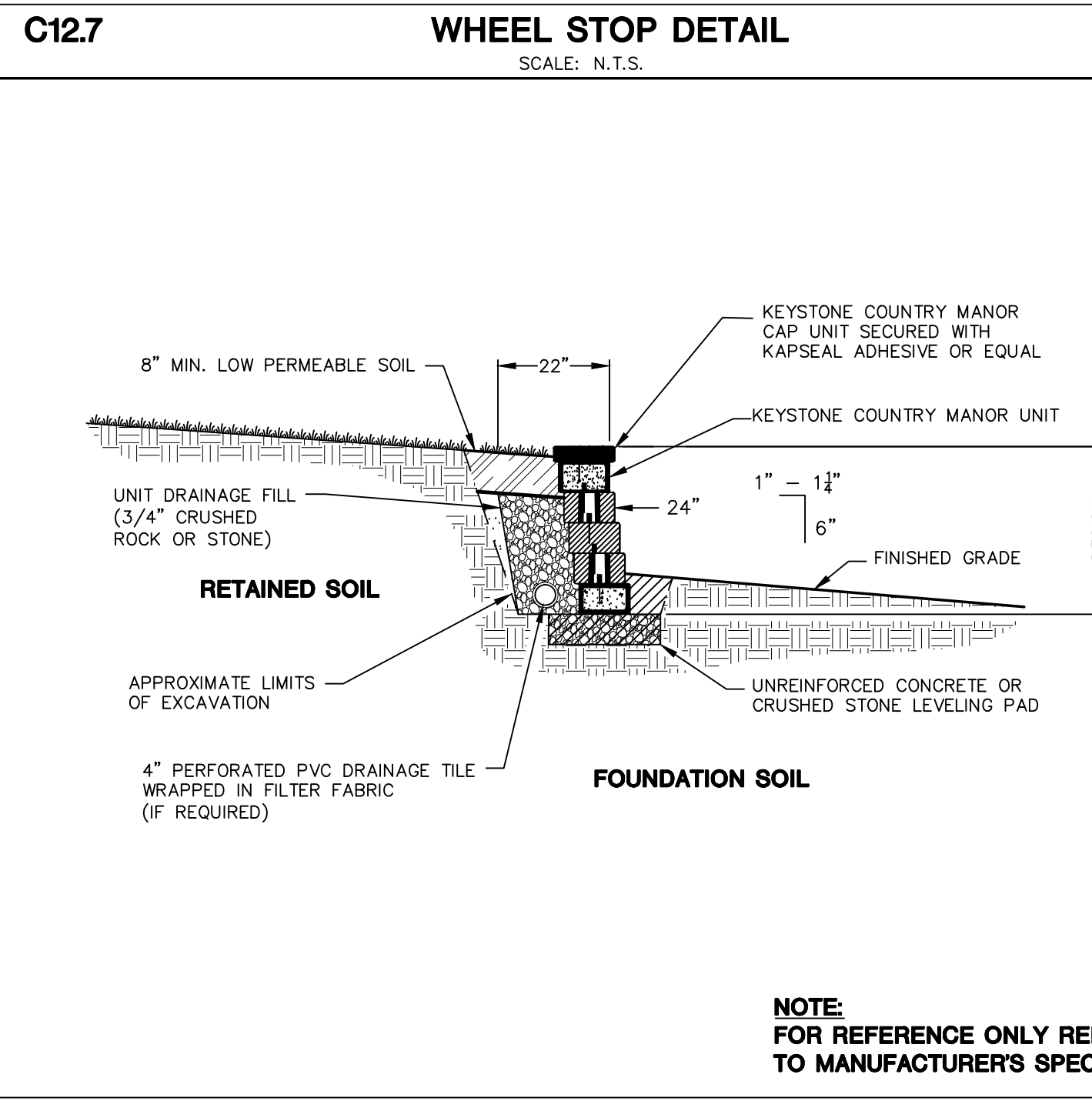
C12.12 PAVEMENT NOTES



C12.9 STOP BAR DETAIL
SCALE: N.T.S.



C12.10 TYPICAL REINFORCED WALL SECTION
SCALE: N.T.S.



C12.11 TYPICAL GRAVITY WALL SECTION
SCALE: N.T.S.

Date: Apr 28, 2014, 4:47pm User: J.D. Bickmore File: G:\103504\50058\103504058SPD02.dwg

PLAN OF RECORD
THIS RECORD DRAWING IS A COMPILATION OF A COPY OF THE SEALED ENGINEERING DRAWING FOR THIS PROJECT; MODIFIED BY ADDENDA, CHANGE ORDERS, AND INFORMATION FURNISHED BY THE CONTRACTOR. THE INFORMATION SHOWN ON THE RECORD DRAWINGS THAT WAS PROVIDED BY THE CONTRACTOR OR OTHERS NOT ASSOCIATED WITH THE DESIGN ENGINEER CANNOT BE VERIFIED FOR ACCURACY OR COMPLETENESS. THE ORIGINAL SEALED DRAWINGS ARE ON FILE AT THE OFFICES OF BURY-SAN, INC. DATE: APRIL 28, 2014.