

owners
CAWLEY PARTNERS
16400 North Dallas Parkway, Suite 150
Dallas, TX 75248
972.759.7700

mep engineer
PURDY MCGUIRE
17300 Dallas Parkway, Suite 3000
Dallas, TX 75248
972.239.5357

structural engineer
L.A. FUESS PARTNERS, INC.
3333 Lee Parkway, Suite 300
Dallas, TX 75219
214.871.7010

civil engineer
WALTER P MOORE
1845 Woodall Rodgers Fwy, Suite
D0808, TX 75201
214.740.6200

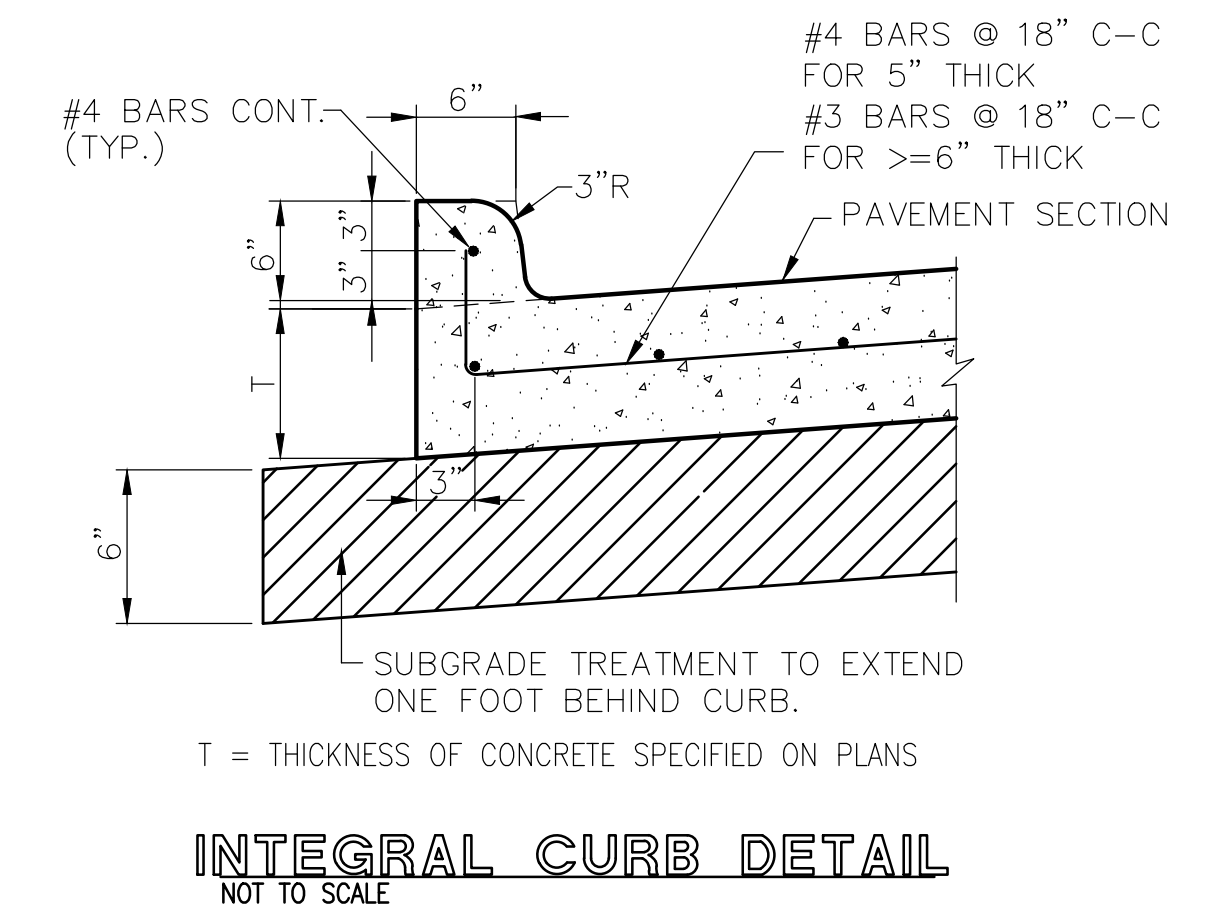
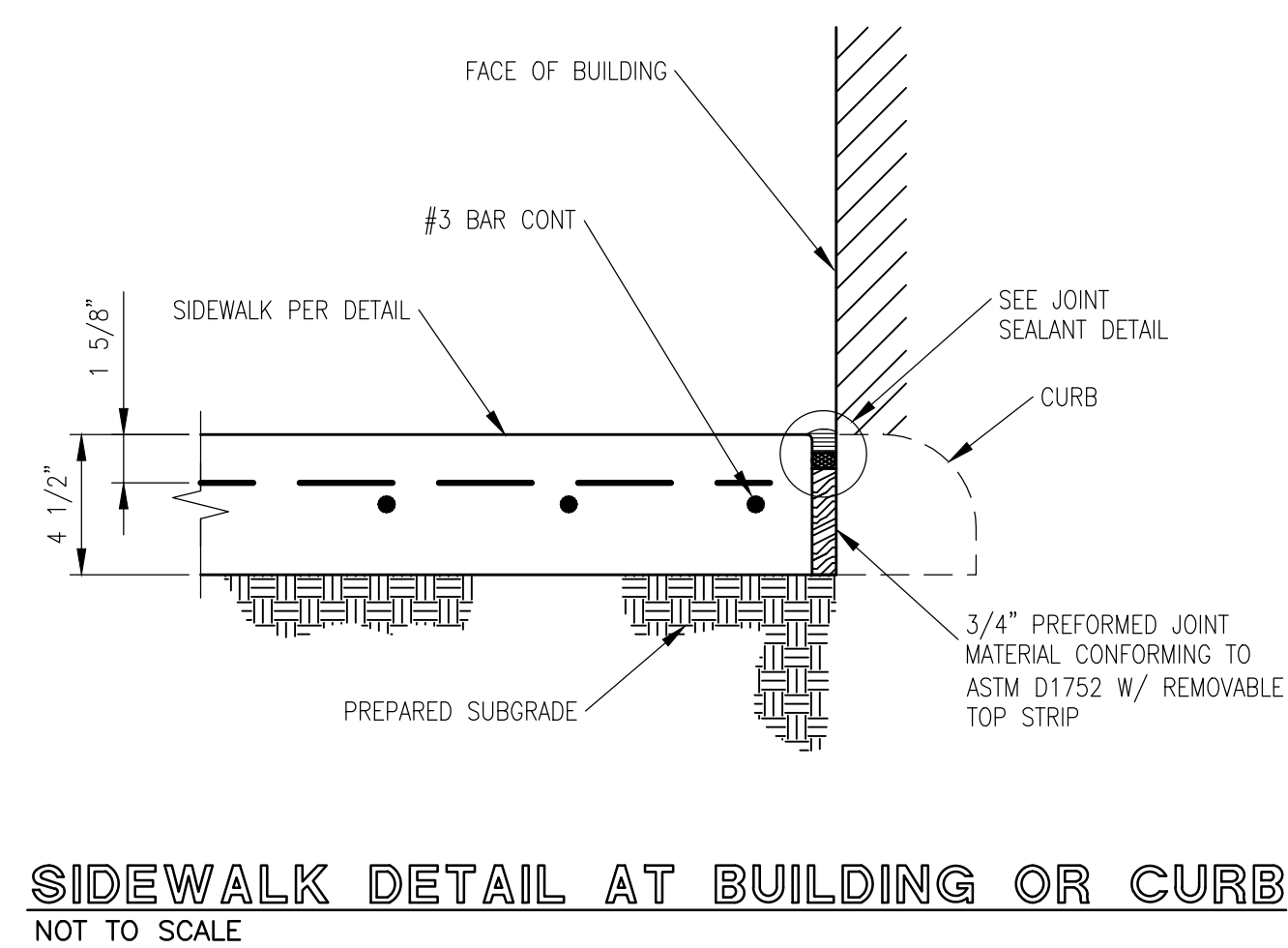
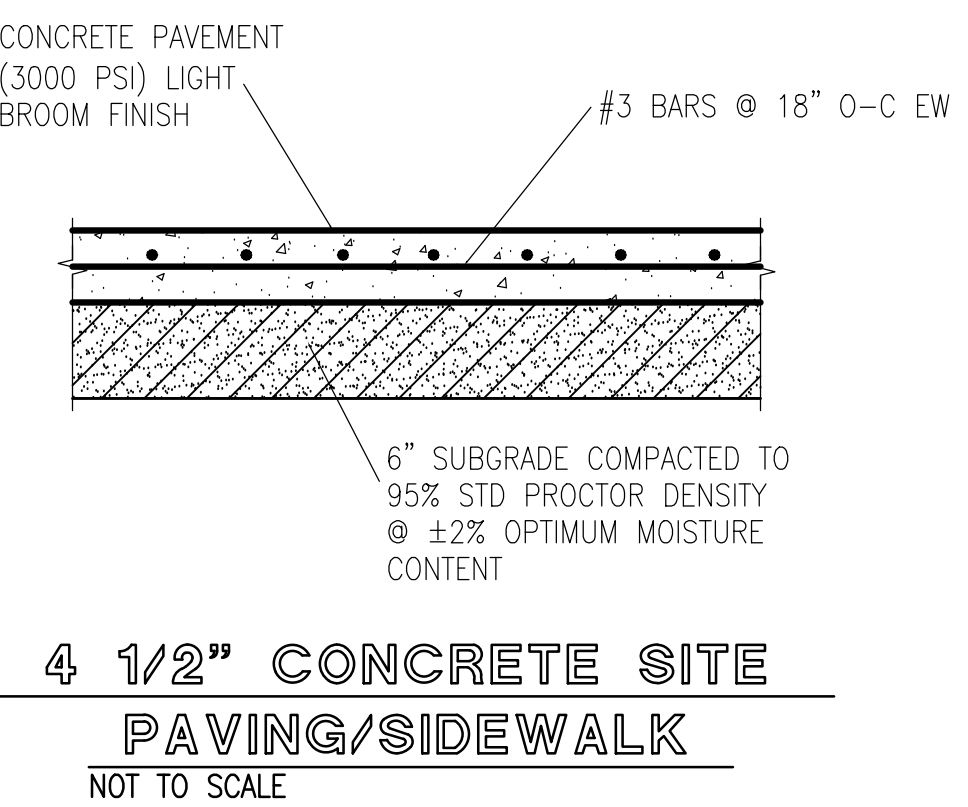
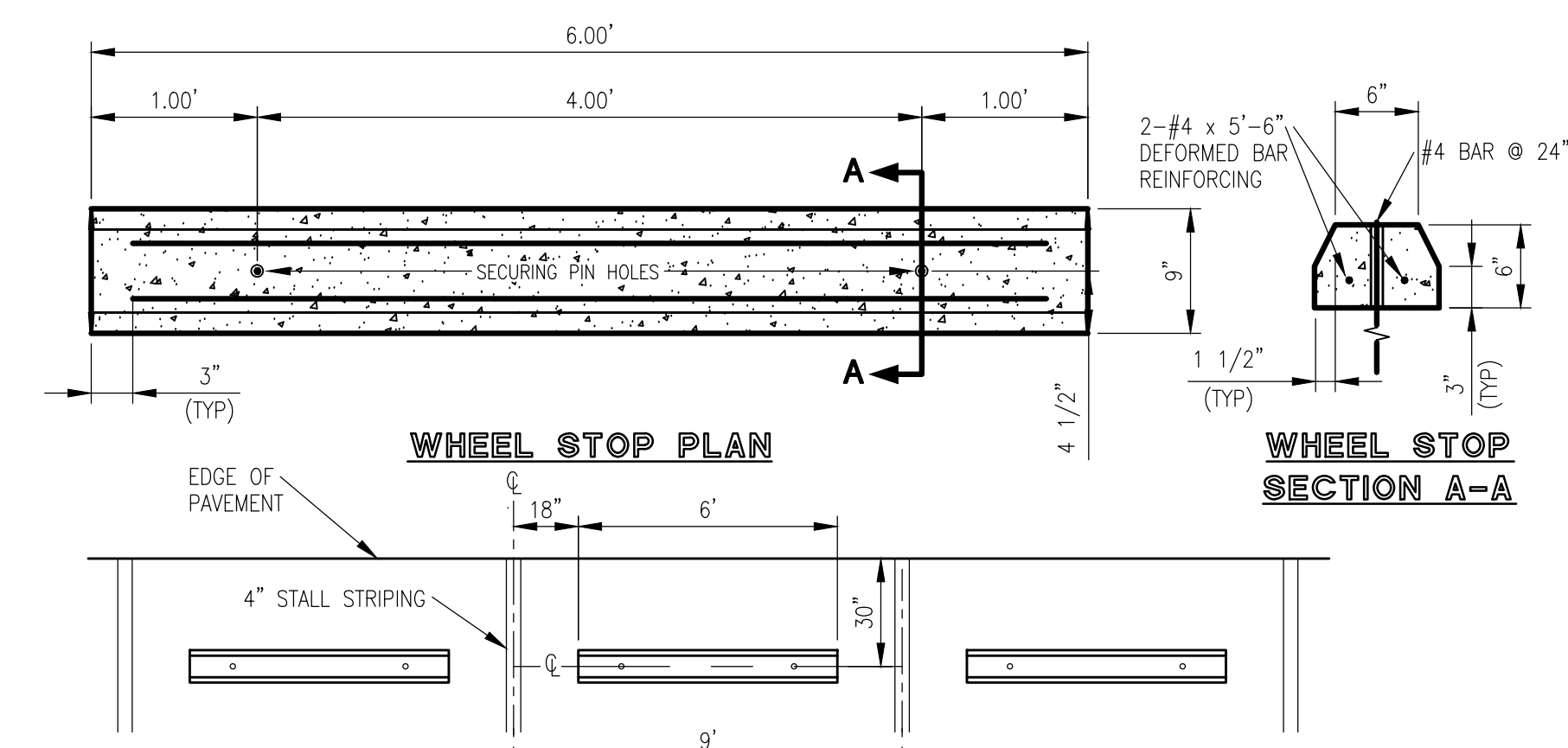
landscape architect
BELLE FIRMA
4245 North Central Expy, Suite 501
Dallas, TX 75205
214.865.7192

project
CAWLEY TOLLWAY CENTER
14675 Dallas Parkway
Addison, TX 75254

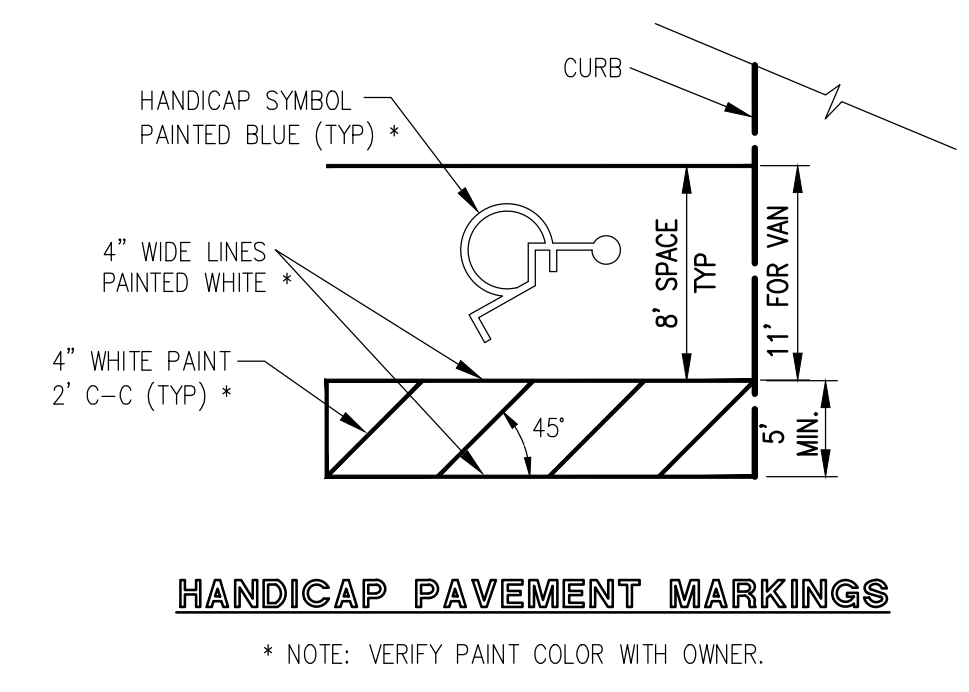
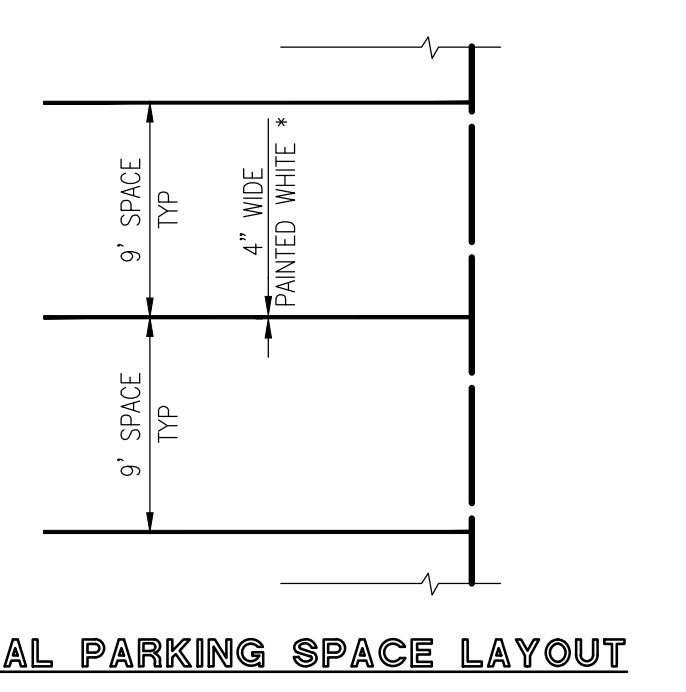
The drawings and written material herein constitute original work of the architect, and as intellectual property and instruments of service, are subject to copyright and may not be reproduced, distributed, published or used in any way without the express written consent of the architect.

DATE	DESCRIPTION	REF. NO.
04-08-15	WCPR #1	
01-27-15	ADDENDUM #1	
	WCPR #1	

DESIGN	DRAWN	DATE	SCALE	NOTES	FILE	NO.
SLH	SLH	APRIL 2015				14-11



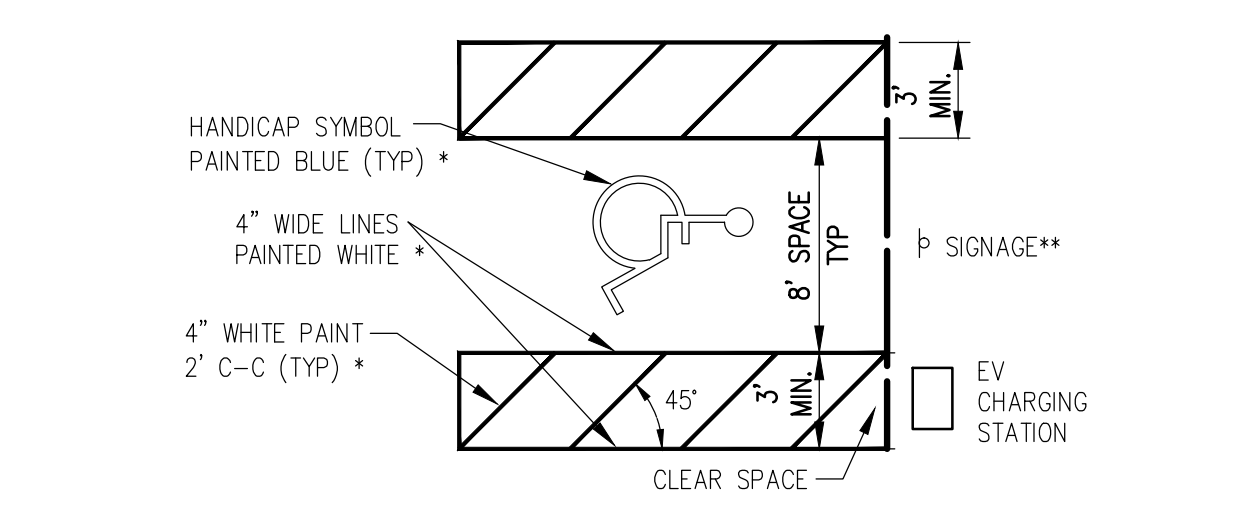
NOTE: SECURE EACH WHEEL STOP TO PAVEMENT WITH TWO #4 DEFORMED BARS 24" IN LENGTH.
WHEEL STOP PLACEMENT
CONCRETE WHEEL STOPS
NOT TO SCALE



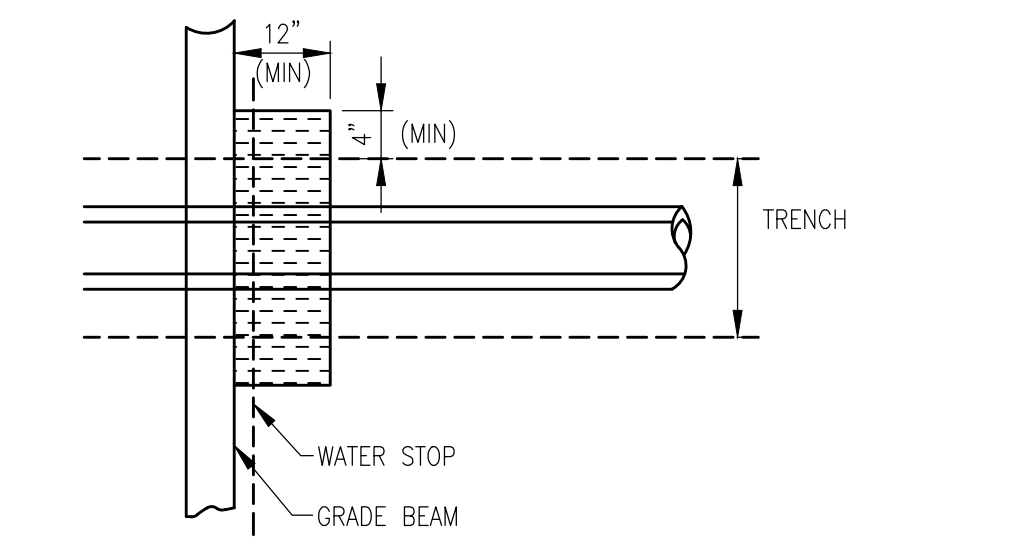
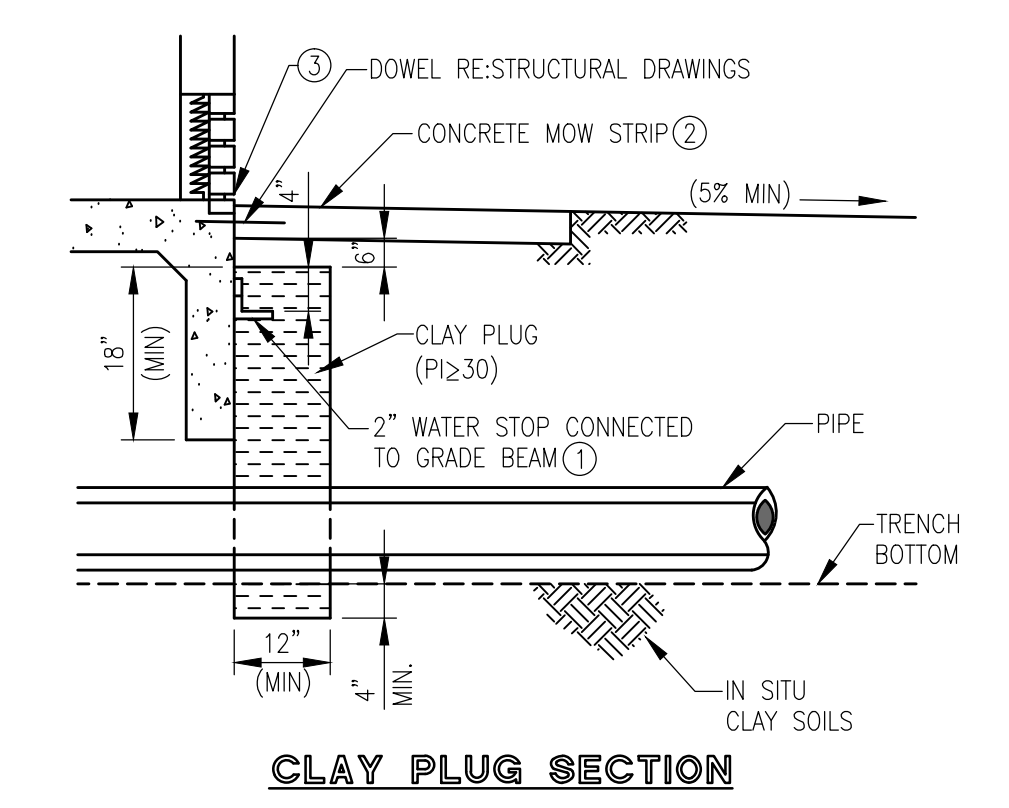
NOTE: VERIFY PAINT COLOR WITH OWNER.
TYPICAL PAVEMENT MARKINGS
NOT TO SCALE



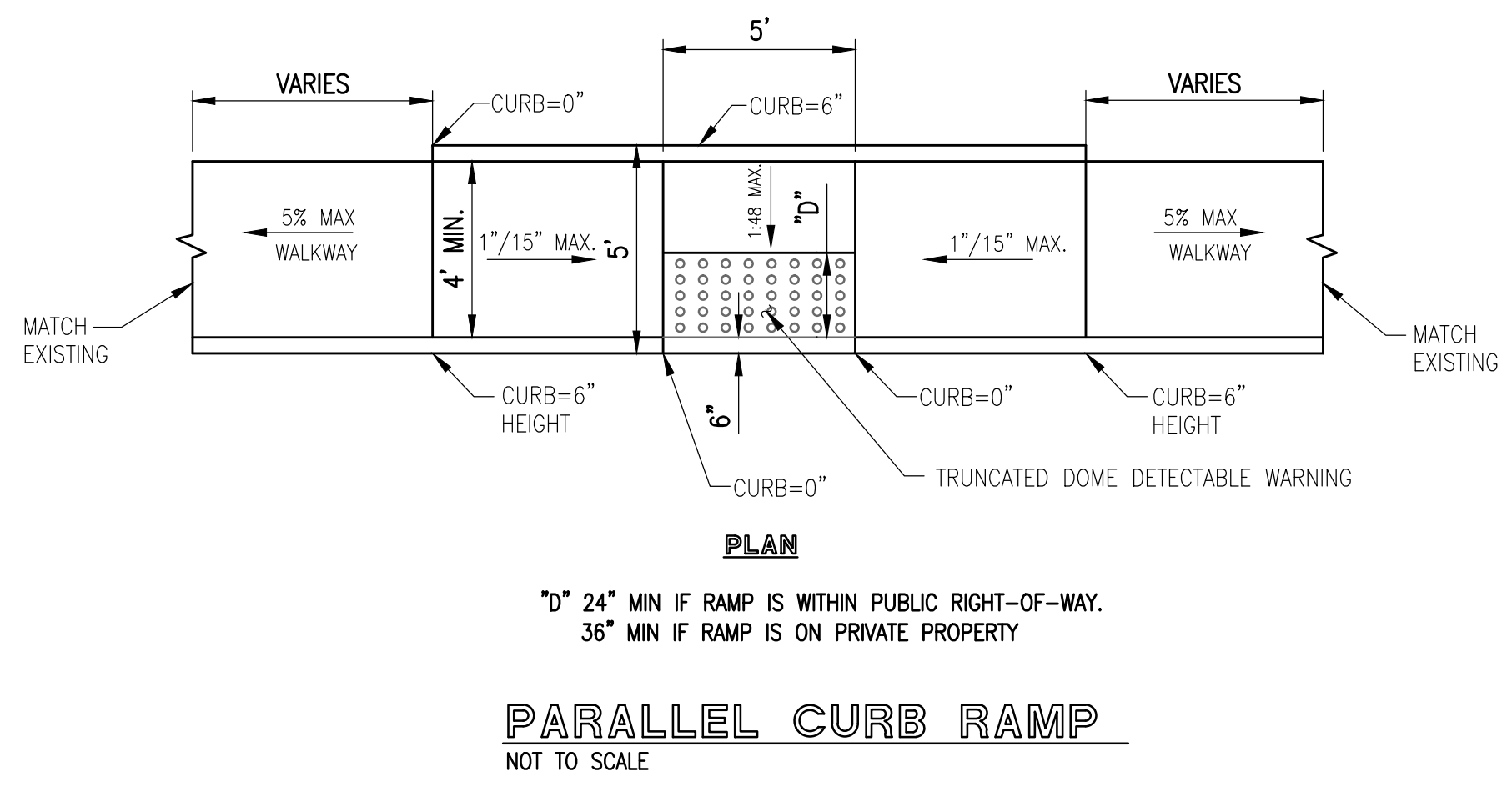
NOTE: VERIFY PAINT COLOR WITH OWNER.
TYPICAL HANDICAP PARKING SIGN
NOT TO SCALE



NOTE: VERIFY PAINT COLOR WITH OWNER.
REFER T&S TM 2012-01 FOR EV CHARGING STATIONS.
ACCESSIBLE SYMBOL IS RECOMMENDED BUT NOT REQUIRED.
EV CHARGING PAVEMENT MARKINGS
NOT TO SCALE



NOTES:
1. WATER STOP MAY BE PLASTIC OR METAL ADHERED TO THE GRADE BEAM AND EXTENDED A MINIMUM OF 2 INCHES HORIZONTALLY IN TO THE CLAY PLUG.
2. MOW STRIP, WHERE PROVIDED, SHALL BE DOWELLED INTO GRADE BEAM AND SHALL SLOPE AT 5% AWAY FROM THE BUILDING.
3. REFER TO ARCHITECTURE DRAWINGS FOR ELEVATION OF WEEP HOLES, HOLD GRADE BELOW WEEP HOLES.
CLAY PLUG
NOT TO SCALE



NOTE: 10" 24" MIN IF RAMP IS WITHIN PUBLIC RIGHT-OF-WAY.
36" MIN IF RAMP IS ON PRIVATE PROPERTY.
PARALLEL CURB RAMP
NOT TO SCALE

Walter P. Moore and Associates, Inc.
TBPE Firm Registration No. 1856

WALTER P MOORE
WALTER P. MOORE AND ASSOCIATES, INC.
1845 WOODALL RODGERS FREEWAY, SUITE 1650
DALLAS, TEXAS 75201-2290
TBPE FIRM REGISTRATION NO. 1856
PHONE: 214.740.6200 FAX: 214.740.6300

title
PRIVATE CIVIL DETAILS

project number **14067.100**
date **12.18.2014**
sheet

C9.00