

SPACING DIAGRAM FOR JOINT
NOT TO SCALE

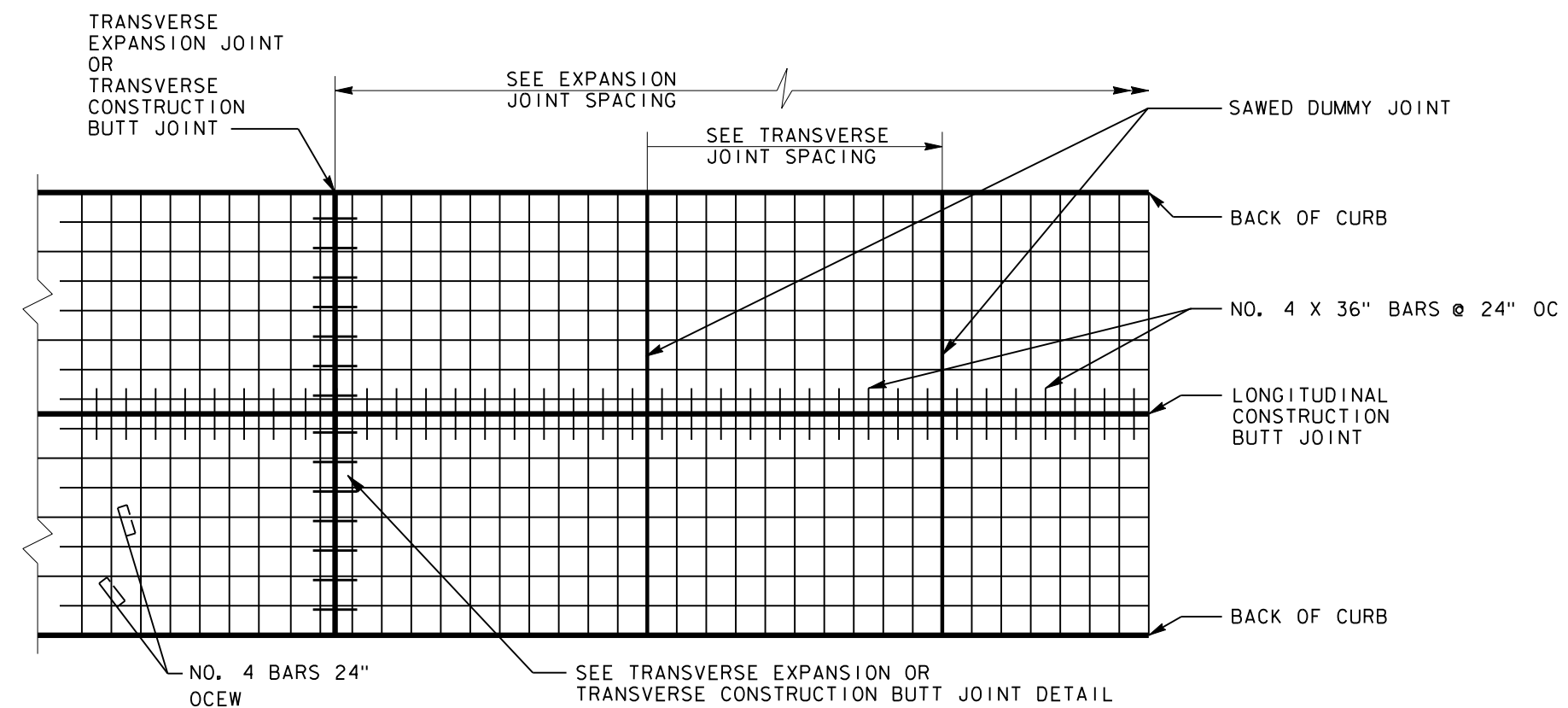
- DRAWING NOTES:
 1. ALL BLOCK-OUTS ARE 9" EXCEPT FOR INLETS.
 2. END OF EACH BLOCK-OUT TO HAVE TRANSVERSE JOINT.

TRANSVERSE JOINT SPACING	
PAVEMENT THICKNESS	SPACING
T = 5"	10 FEET
T = 6"	12 FEET
T = 7"	14 FEET
T = 8" OR 10"	16 FEET

TRANSVERSE EXPANSION JT SPACING	
VARIES (200' C-C MAXIMUM)	

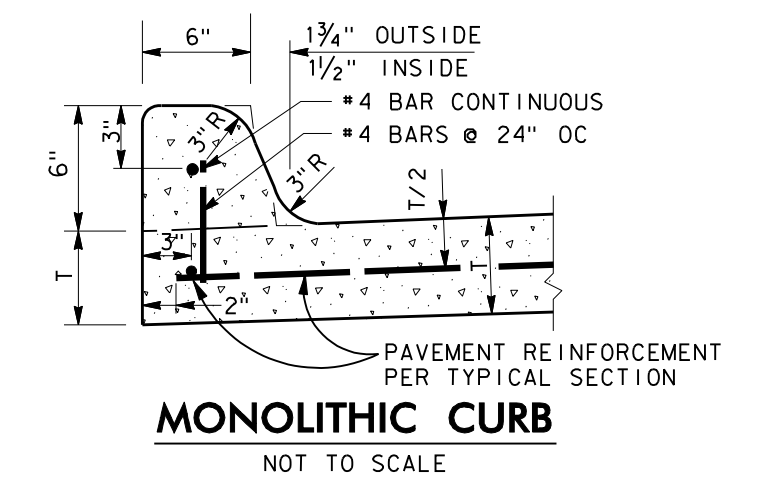
LONGITUDINAL JOINT SPACING	
STREET WIDTH	SPACING
22' TO 30'	ON CL
22' W/PP	ON CL & 8' FROM BACK OF CURB
38'	6' LT & RT OFF CL
44'	ON CL AND 11' OFF CL
48'	ON CL AND 12' OFF CL
60'	6' AND 18' OFF CL
76'	8', 20' AND 32' OFF CL

JOINT DEPTH	
PAVEMENT THICKNESS	JOINT DEPTH
T = 5"	1 1/4"
T = 6"	1 1/2"
T = 7"	1 3/4"
T = 8" OR 10"	2"

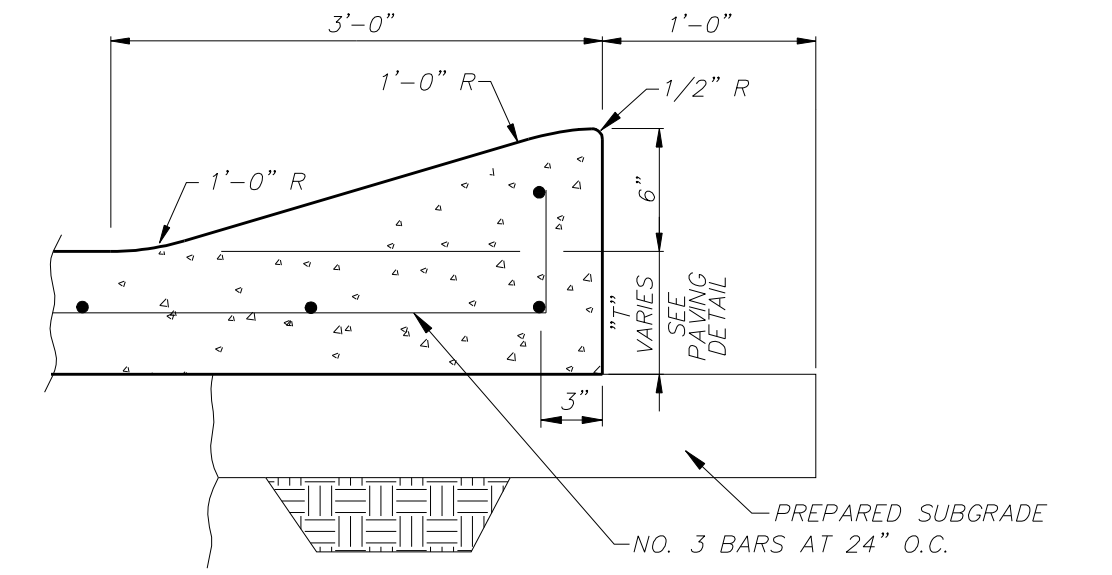


PLAN OF STEEL LAYOUT
NOT TO SCALE

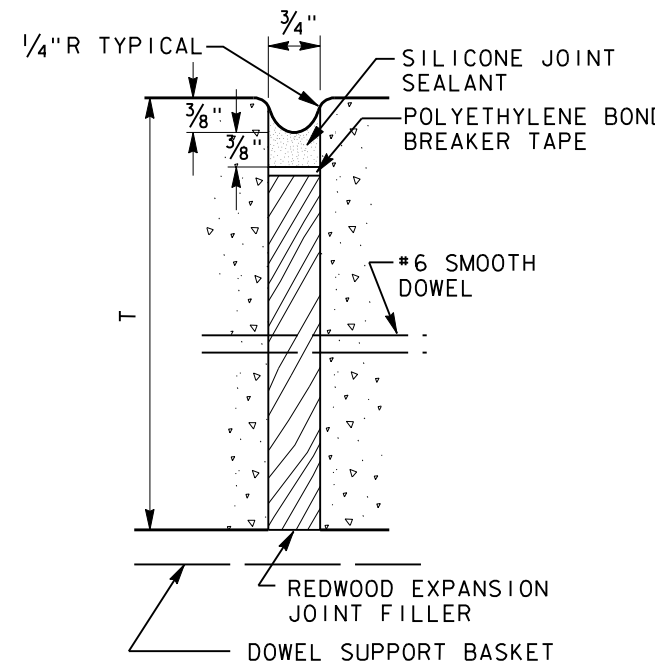
- NOTES:
 1. THE REINFORCING STEEL WILL EXTEND THROUGH LONGITUDINAL CONSTRUCTION BUTT, SAWED DUMMY, AND TRANSVERSE CONSTRUCTION BUTT JOINTS.



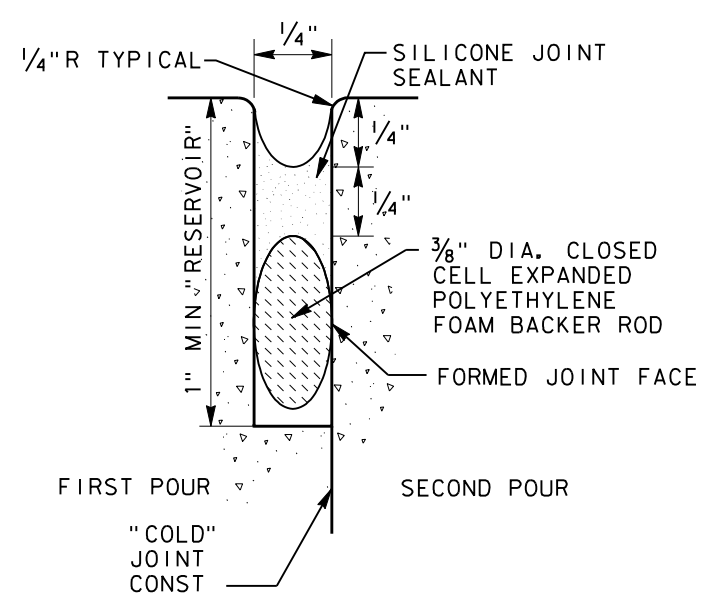
MONOLITHIC CURB
NOT TO SCALE



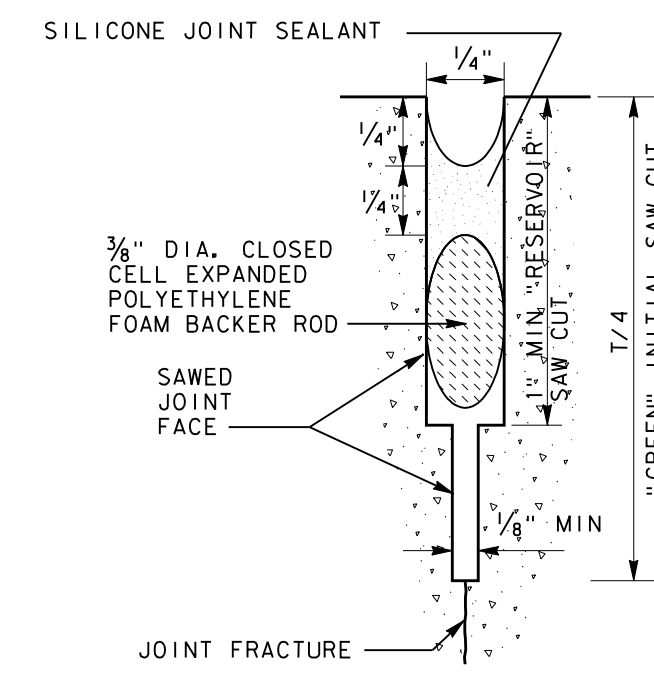
6\"/>



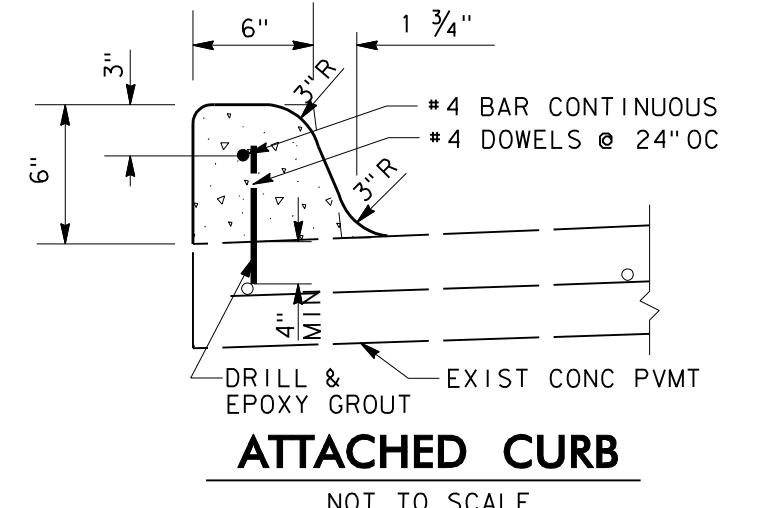
JOINT DETAIL A SEAL FOR TRANSVERSE EXPANSION JOINT
NOT TO SCALE



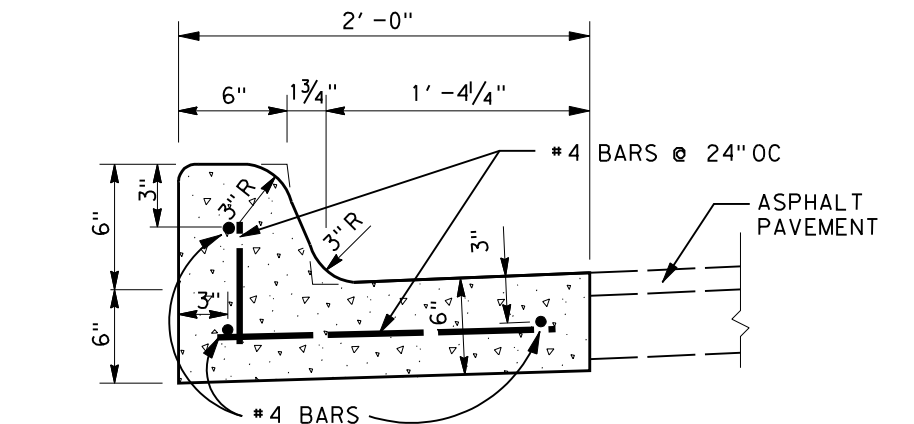
JOINT DETAIL B SEAL FOR LONGITUDINAL AND TRANSVERSE CONSTRUCTION BUTT JOINT
NOT TO SCALE



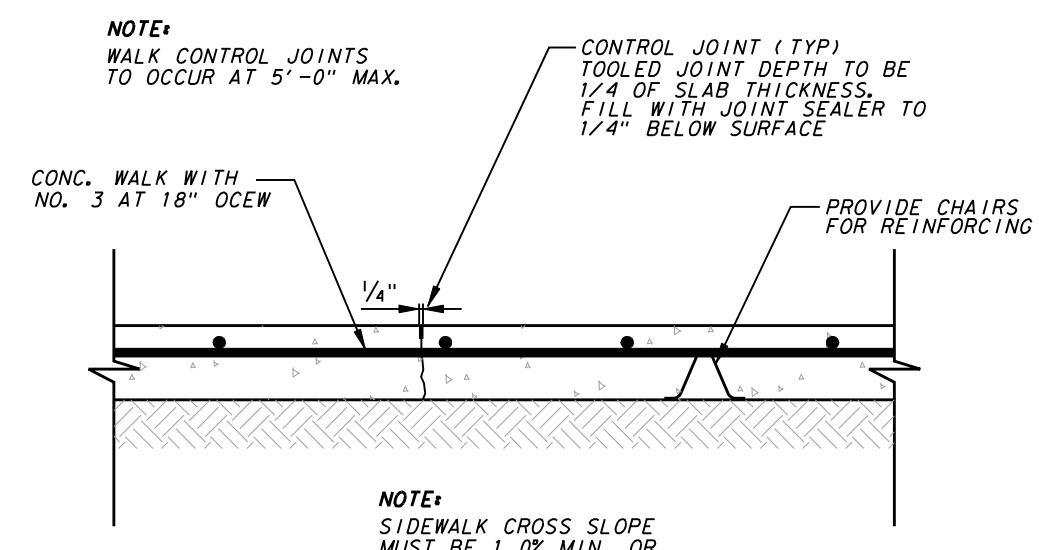
JOINT DETAIL C SEAL FOR SAWED DUMMY JOINT
NOT TO SCALE



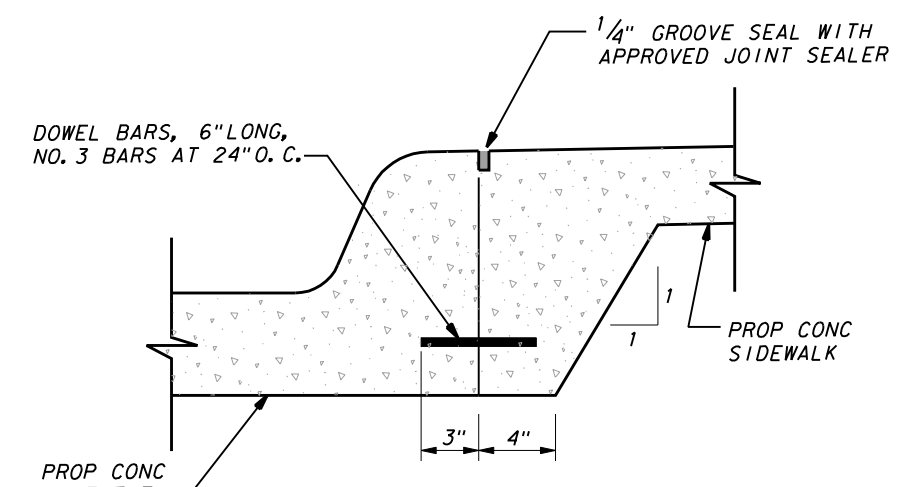
ATTACHED CURB
NOT TO SCALE



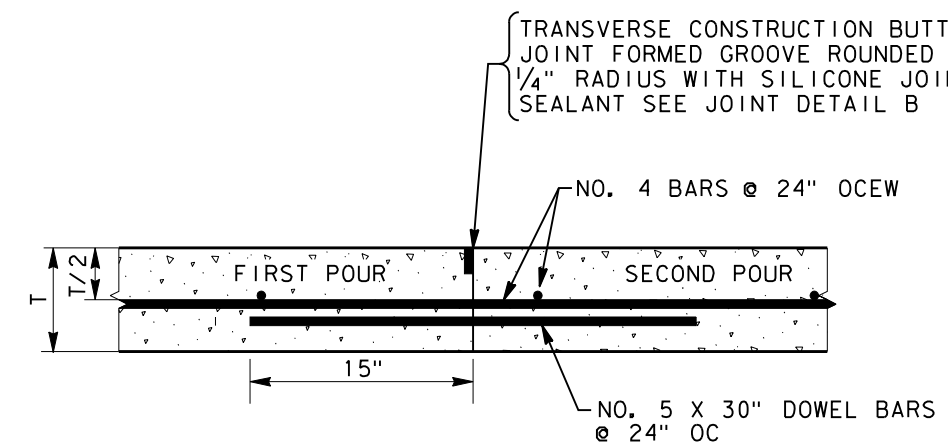
6\"/>



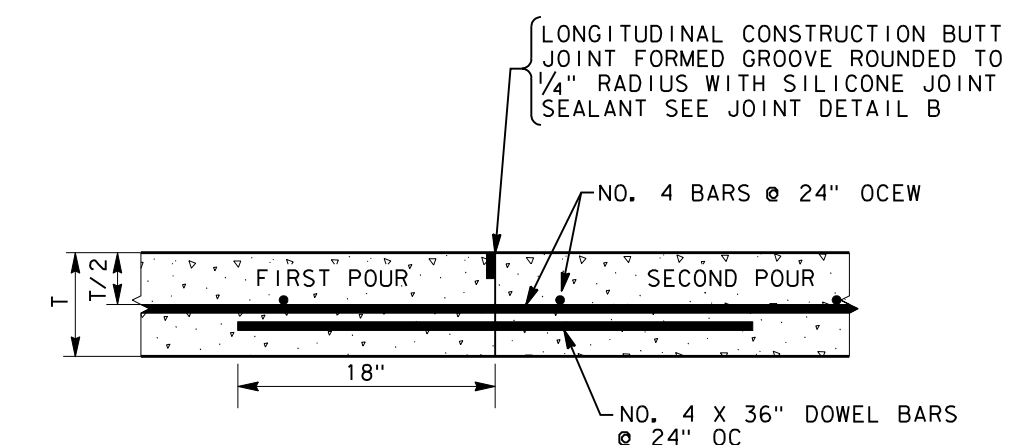
SIDEWALK CONTROL JOINT
NOT TO SCALE



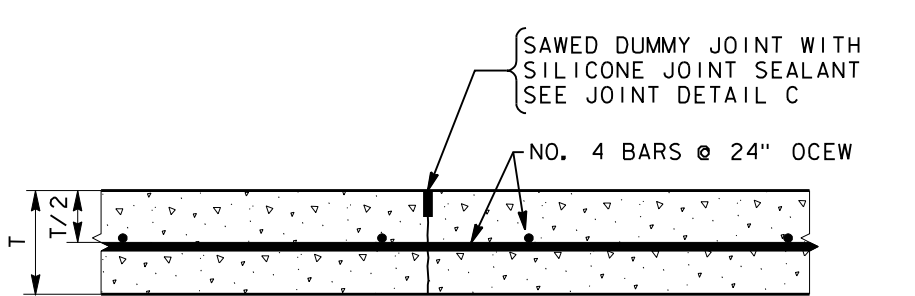
JOINT DETAIL FOR SIDEWALK ADJACENT TO CURB
NOT TO SCALE



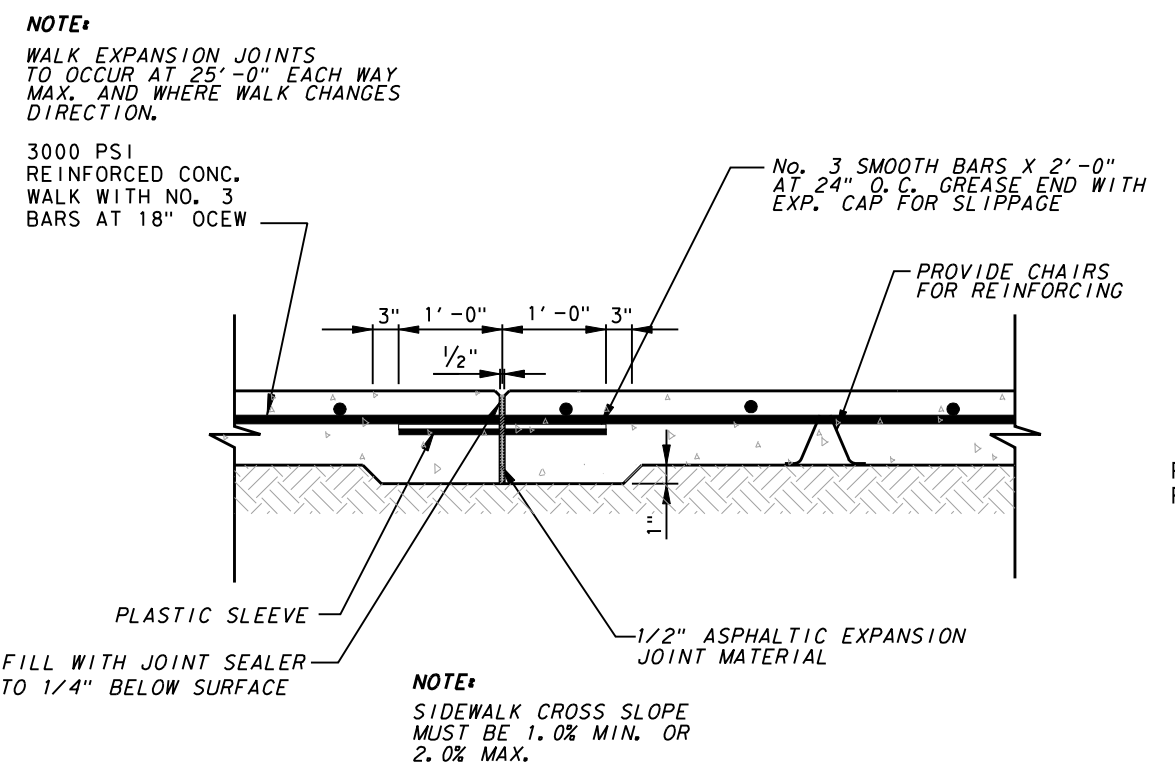
TRANSVERSE CONSTRUCTION BUTT JOINT
NOT TO SCALE



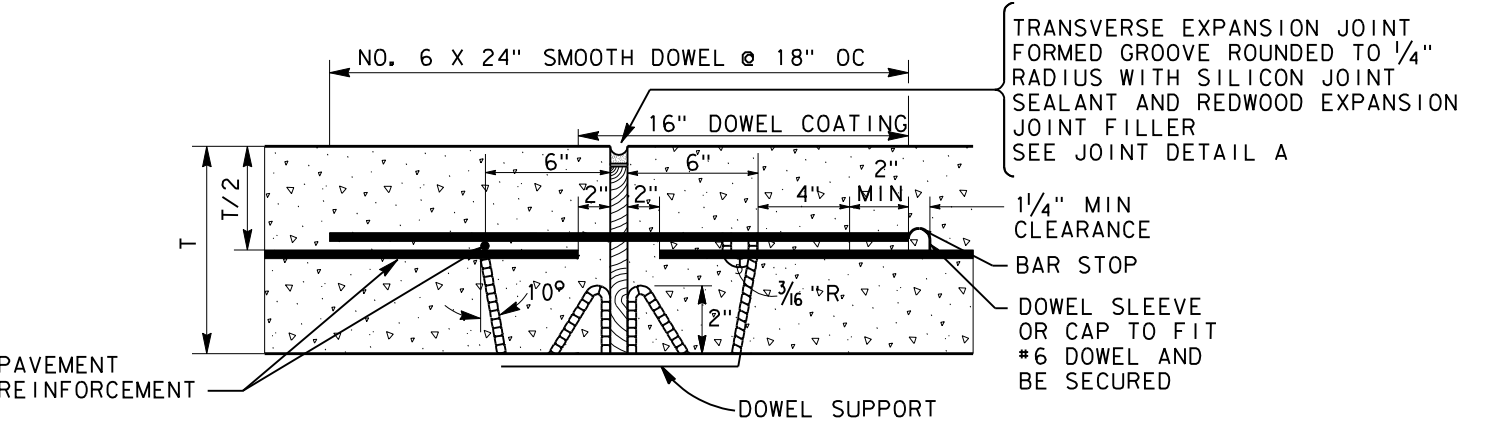
LONGITUDINAL CONSTRUCTION BUTT JOINT
NOT TO SCALE



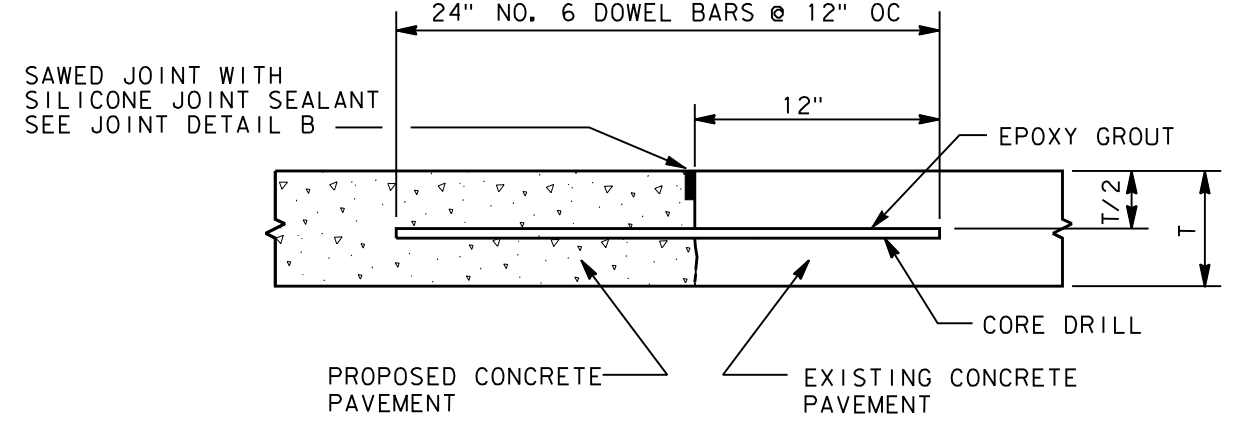
TRANSVERSE OR LONGITUDINAL SAWED DUMMY JOINT
NOT TO SCALE



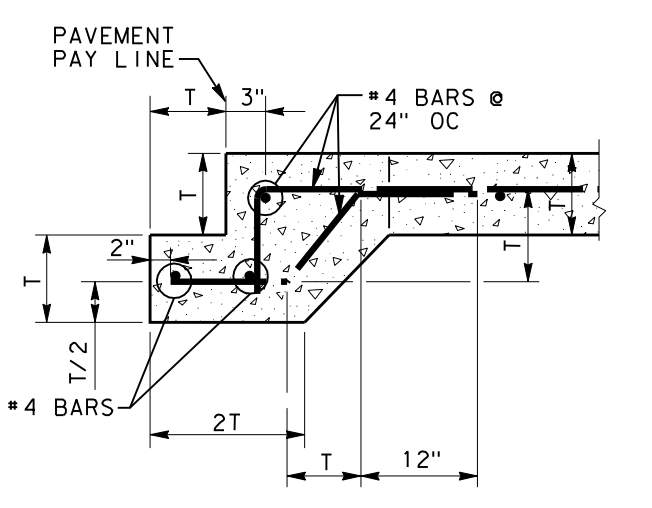
SIDEWALK EXPANSION JOINT
NOT TO SCALE



TRANSVERSE EXPANSION JOINT
NOT TO SCALE



PROPOSED TO EXISTING CONCRETE PAVEMENT
NOT TO SCALE



CONCRETE STREET HEADER
NOT TO SCALE

- NOTE:
 PAVEMENT BARS TO BE BENT DOWN INTO HEADER. HEADER & PAVEMENT TO BE MONOLITHIC. (CONC HEADER TO BE PAID FOR PER LINEAR FOOT)

NO.	REVISION	BY	DATE

icon Consulting Engineers, Inc.		2840 W. Southlake Blvd., Suite 110	
Civil Engineers - Designers - Planners		Southlake, TX 76092 (817) 552-6210	
Engineering Firm		Registration Number F-9007	
WATER, SS & PAVING IMPROVEMENTS			
VITRUVIAN PARK PUBLIC INFRASTRUCTURE BLOCK 500 A			
TOWN OF ADDISON, TEXAS			
PAVING DETAILS			
DESIGN	DRAWN	DATE	SCALE
ICE	ICE	JAN 22, 2020	AS NOTED
NOTES			Sheet No.
			29



VITRUVIAN PARK BLOCK 500 A PUBLIC INFRASTRUCTURE - PROJECT NO. 5029-05