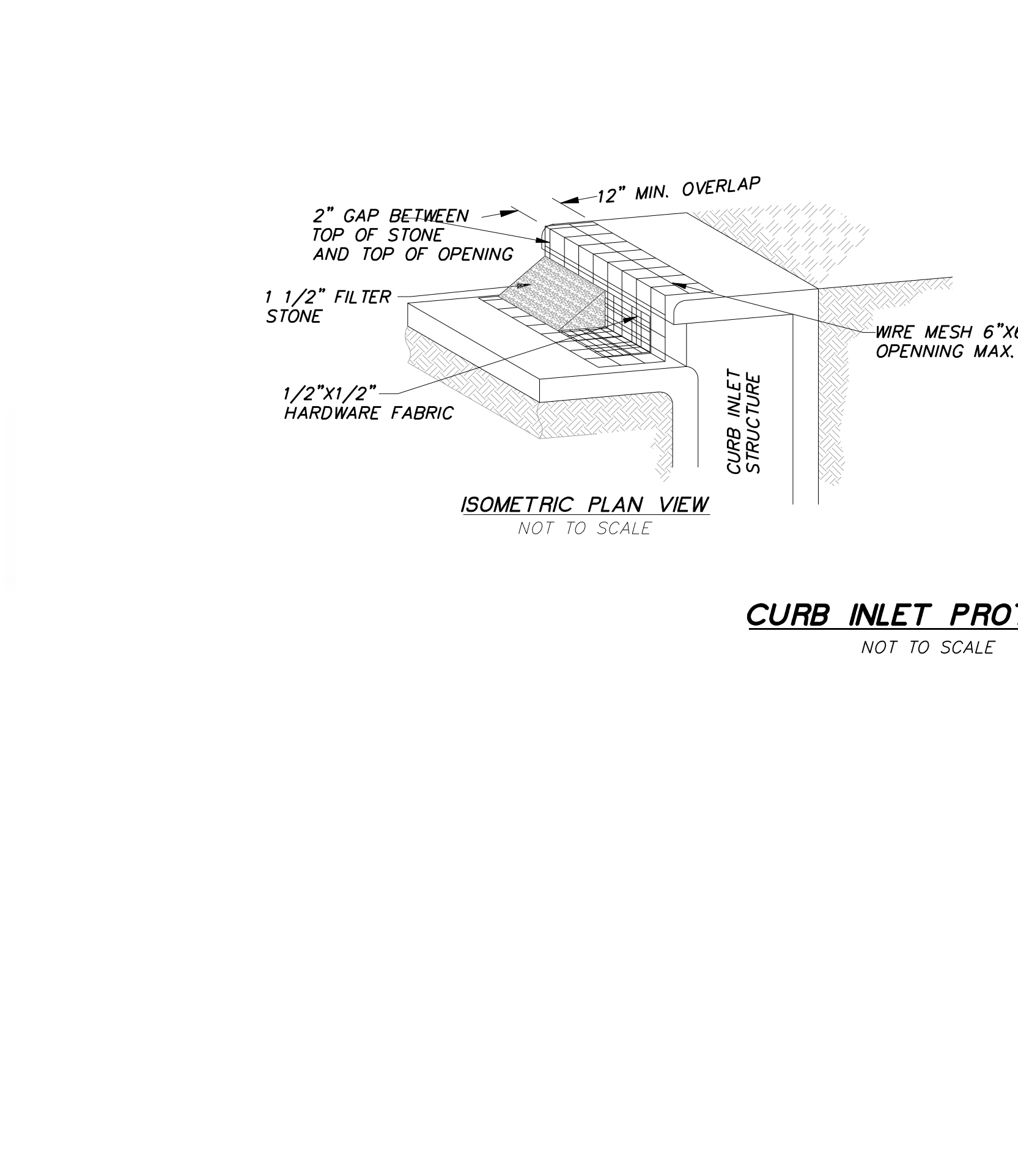
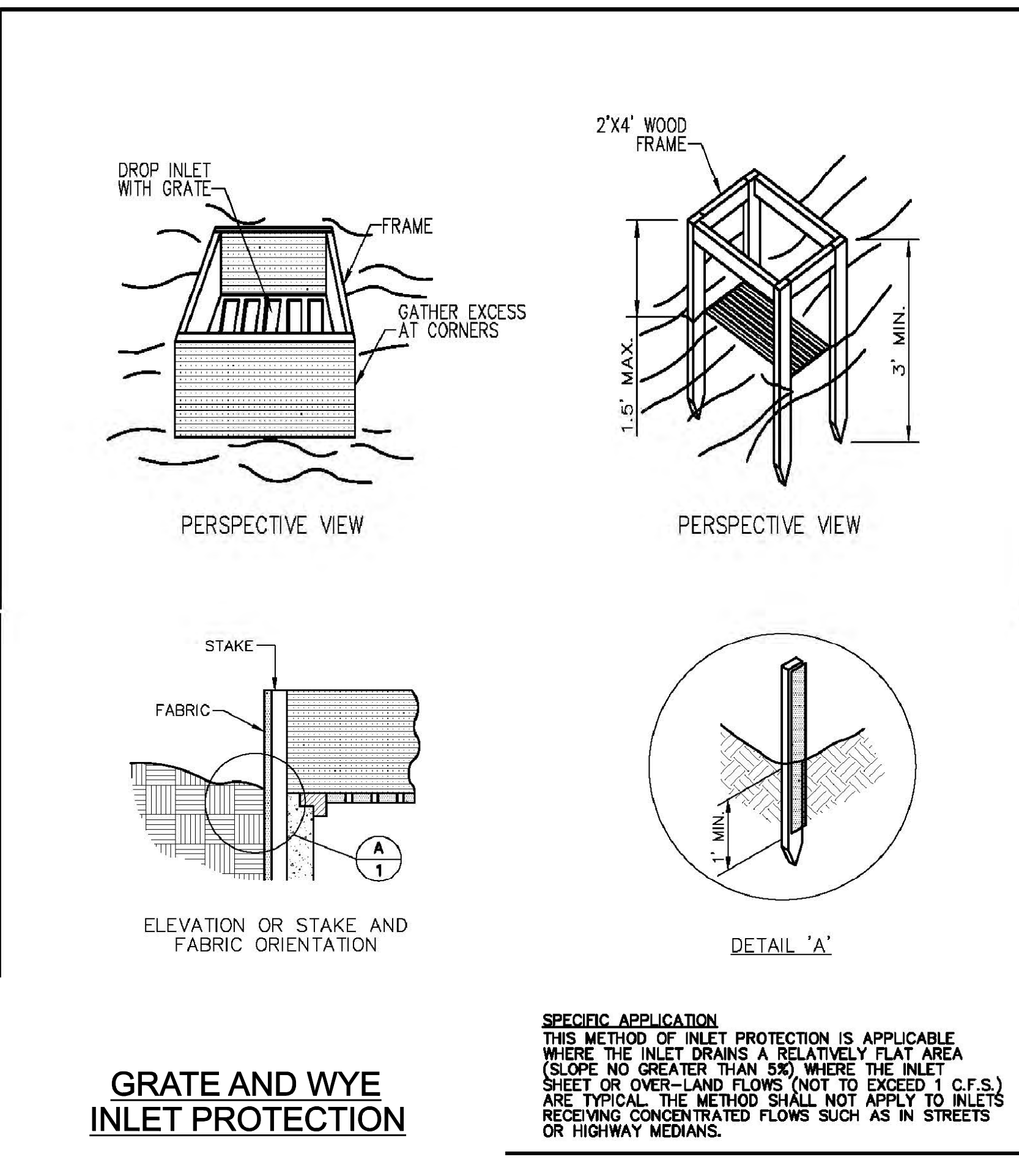


EROSION CONTROL PLAN NOTES

1. ALL OPERATORS AND/OR CONTRACTORS SHALL CONFORM TO THE TERMS AND CONDITIONS OF THE TEXAS COMMISSION ON ENVIRONMENTAL QUALITY (TCEQ), TPDES GENERAL PERMIT NO. TXR 150000 ISSUED AND DATED MARCH 5, 2003.
2. THE NOTICE OF INTENT (NOI), AS REQUIRED BY THE GENERAL PERMIT, MUST BE PROPERLY DISPLAYED ON SITE AT ALL TIMES BY EACH OPERATOR.
3. ALL RELEASES OF THE REPORTABLE QUANTITIES OF HAZARDOUS SUBSTANCES SHALL BE REPORTED IMMEDIATELY TO THE FACILITY OPERATOR, EPA AND TCEQ.
4. QUALIFIED OPERATOR PERSONNEL MUST INSPECT THE SITE AT LEAST ONCE EVERY 14 DAYS AND WITHIN 24 HOURS OF A STORM EVENT OF 0.5 INCHES OR GREATER. AS AN ALTERNATIVE, AN INSPECTION CAN BE CONDUCTED ONCE EVERY SEVEN (7) CALENDAR DAYS ON A DEFINED DAY. A DECISION ON WHICH METHOD TO USE MUST BE DECIDED BEFORE WORK BEGINS AND MUST BE FOLLOWED THROUGHOUT THE PROJECT.
5. MODIFICATIONS TO THE STORM WATER POLLUTION PREVENTION PLAN SHALL BE IMPLEMENTED AND BE IN-PLACE WITHIN A SEVEN CALENDAR DAY PERIOD.
6. IF ANY CONTRACTOR SEES A VIOLATION BY AN OPERATOR OR ANOTHER CONTRACTOR, THAT OPERATOR OR CONTRACTOR IN VIOLATION SHALL BE NOTIFIED AS WELL AS THE FACILITY OPERATOR.
7. EROSION CONTROL SHALL BE INSTALLED PRIOR TO GRADING.
8. ACCUMULATED SILT DEPOSITS SHALL BE REMOVED FROM SILT FENCES AND HAY BALE DIKES WHEN SILT DEPTH REACHES THREE INCHES OR 25%.
9. THE CONTRACTOR SHALL ADD OR DELETE EROSION PROTECTION AT THE REQUEST AND DIRECTION OF THE OPERATOR OR TOWN.
10. AFTER INSTALLATION OF PAVEMENT, FINAL LOT BENCHING AND GENERAL CLEANUP, THE CONTRACTOR SHALL ESTABLISH GRASS GROUNDCOVER IN ALL STREET PARKWAYS, LOT AND ALL OTHER DISTURBED AREAS. SODDING SHALL BE DONE AS SPECIFIED BY SECTION 202.5 AND SEEDING AS SPECIFIED BY SECTION 202.6 OF THE OCTOBER 2004 OR LATEST EDITION OF NCTCOG STANDARD SPECIFICATION.
11. IT SHALL BE THE CONTRACTOR'S RESPONSIBILITY TO CONTROL AND LIMIT SILT AND SEDIMENT LEAVING THE SITE. SPECIFICALLY, THE CONTRACTOR SHALL PROTECT ALL PUBLIC STREETS, ALLEYS, STREAMS AND STORM DRAINAGE SYSTEMS FROM EROSION DEPOSITS.
12. A DRAINAGE AREA MAP WILL BE INCLUDED WITH THE EROSION CONTROL PLAN.
13. CONSTRUCTION WASTE DISPOSAL CONTAINERS SHALL BE PROVIDED ON THE SITE FOR DISPOSAL OF ALL NON-HAZARDOUS CONSTRUCTION WASTE MATERIALS. THE CONTAINERS SHALL BE HAULED TO LANDFILL BY THE CONTRACTOR.
14. ALL HAZARDOUS MATERIALS SHALL BE HANDLED AND DISPOSED OF BY THE CONTRACTOR IN ACCORDANCE WITH FEDERAL, STATE AND LOCAL REGULATIONS.

SILT FENCE NOTES

1. POSTS WHICH SUPPORT THE SILT FENCE SHALL BE INSTALLED ON A SLIGHT ANGLE TOWARD THE ANTICIPATED RUNOFF SOURCE. THE POST MUST BE EMBEDDED A MINIMUM OF 18 INCHES.
2. THE TOE OF THE SILT FENCE SHALL BE TRENCHED IN WITH A SPADE OR MECHANICAL TRENCHER SO THAT THE DOWNSTREAM FACE OF THE SILT FENCE IS FLAT AND PERPENDICULAR TO THE LINE OF FLOW. WHERE FENCE CANNOT BE TRENCHED IN (E.G. PAVEMENT), WEIGHT FABRIC FLAP WITH WASHED GRAVEL ON THE UPHILL SIDE TO PREVENT FLOW UNDER FENCE.
3. THE TRENCH MUST BE A MINIMUM OF 6 INCHES DEEP AND 6 INCHES WIDE TO ALLOW FOR THE SILT FENCE FABRIC TO BE LAID IN THE GROUND AND BACKFILLED WITH COMPACTED MATERIAL.
4. SILT FENCE SHALL BE SECURELY FASTENED TO EACH SUPPORT POST OR TO WOVEN WIRE, WHICH IS IN TURN ATTACHED TO THE SUPPORT POST. THERE SHALL BE A 6 INCH DOUBLE OVERLAP, SECURELY FASTENED WHERE ENDS OF FABRIC MEET.
5. INSPECTION SHALL BE MADE EVERY TWO WEEKS OR AFTER EACH RAINFALL. REPAIR OR REPLACEMENT SHALL BE PROMPTLY AS NEEDED.
6. SILT FENCE SHALL BE REMOVED WHEN THE SITE IS COMPLETELY STABILIZED SO AS NOT TO BLOCK OR IMPEDE STORM FLOW OR DRAINAGE.
7. ACCUMULATED SILT SHALL BE REMOVED WHEN IT REACHES A DEPTH OF 3 INCHES. THE SILT SHALL BE DISPOSED OF AT AN APPROVED SITE AND IN SUCH A MANNER AS TO NOT CONTRIBUTE TO ADDITIONAL SILTATION.



NOTES:

1. MATERIAL SPECIFICATIONS:
 - A. CONCRETE BLOCK--ASTM C 139, CONCRETE MASONRY UNIT FOR CONSTRUCTION.
 - B. WIRE FABRIC--STANDARD GALVANIZED HARDWARE FABRIC WITH 1/2" BY 1/2" OPENINGS.
 - C. FILTER STONE--NCTCOG SPECIFICATION 2.1.8.(E).
 - D. WIRE MESH--WELDED WIRE FABRIC CONFORMING TO NCTCOG SPECIFICATION 2.2.7 MAXIMUM OPENING 6"x6".
2. MAINTENANCE REQUIREMENTS: CURB INLET PROTECTION SHOULD BE INSPECTED WEEKLY AND AFTER MAJOR RAIN EVENTS TO ENSURE THAT THE DEVICE IS FUNCTIONING PROPERLY. REMOVE SEDIMENT FROM THE STORAGE AREA WHEN THE DEPTH OF SEDIMENT HAS BUILT UP TO ONE-HALF OF THE STORAGE DEPTH. IF DE-WATERING OF THE STORAGE VOLUME IS NOT OCCURRING, CLEAN OR REPLACE THE FILTER STONE. CLEAN THE FILTER STONE SURFACE THE FIRST FEW TIMES BY RAKING. REPEATED SEDIMENT BUILD-UP WILL REQUIRE FILTER STONE REPLACEMENT.
3. DO NOT USE A SEDIMENT FILTER TO CONTROL EROSION AROUND "Y" INLETS, UTILIZE SEDIMENT FENCES.
4. EXTEND MESH, FABRIC AND FILTER STONE 12" BEYOND END OF INLET ON BOTH ENDS.

CONTRACTOR SEAL:
BRUCE F. DUNNE
LICENSED PROFESSIONAL ENGINEER
62651

| NO. | REVISION | BY | DATE |
|-----|----------|----|------|
| | | | |

icon Consulting Engineers, Inc. 2840 W. Southlake Blvd., Suite 110
Civil Engineers - Designers - Planners Southlake, Tx 76092 (817) 552-6210
Engineering Firm Registration Number F-9007

WATER, SS & PAVING IMPROVEMENTS
VITRUVIAN PARK PUBLIC INFRASTRUCTURE BLOCK 500 A
TOWN OF ADDISON, TEXAS

EROSION & SEDIMENT CONTROL DETAILS

| DESIGN | DRAWN | DATE | SCALE | NOTES | Sheet No. |
|--------|-------|--------------|----------|-------|-----------|
| ICE | ICE | JAN 22, 2020 | AS NOTED | | 35 |

VITRUVIAN PARK BLOCK 500 A PUBLIC INFRASTRUCTURE - PROJECT NO. 5029-05