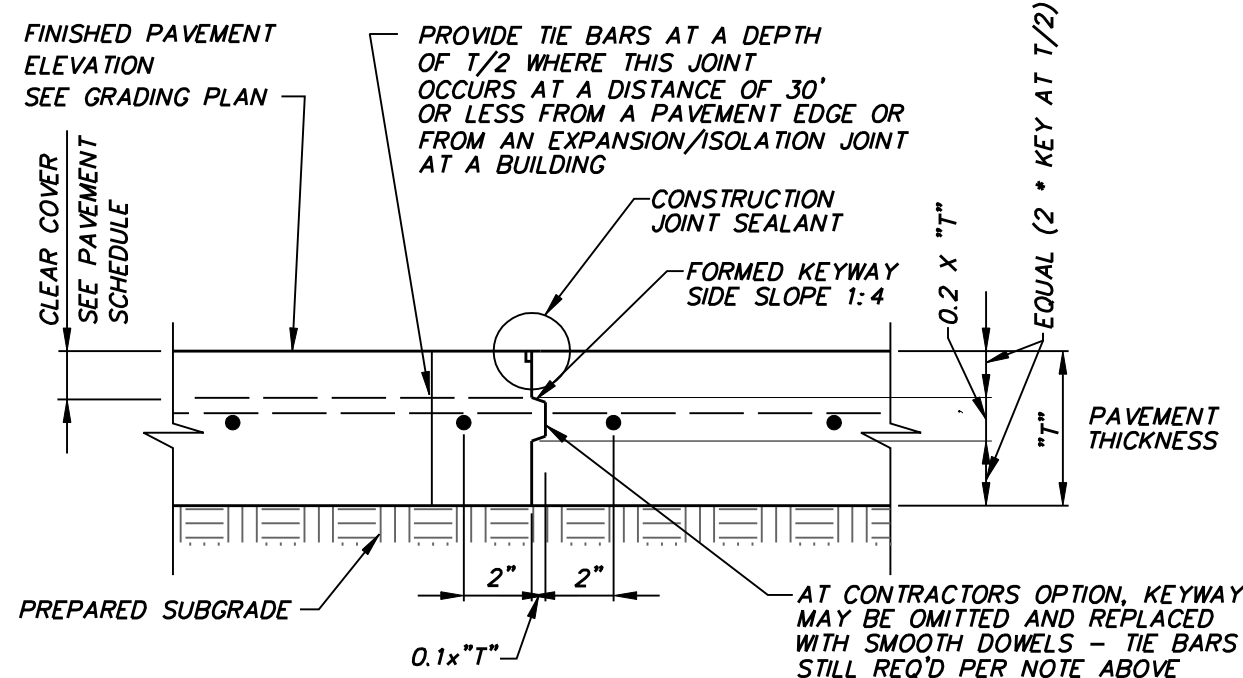
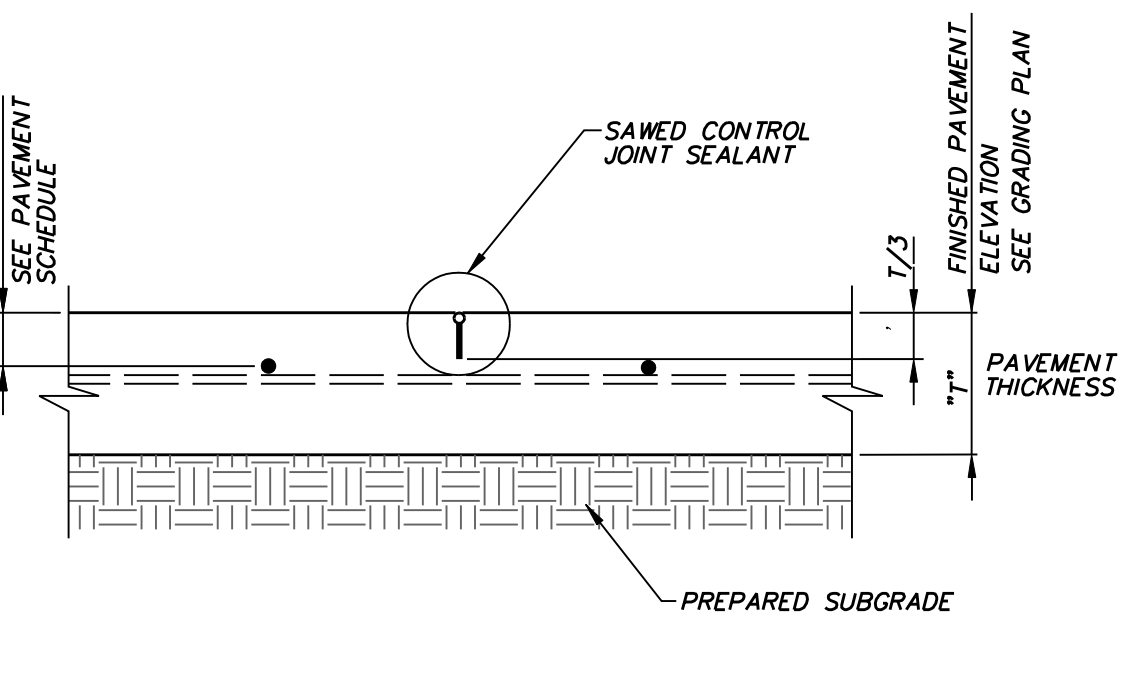


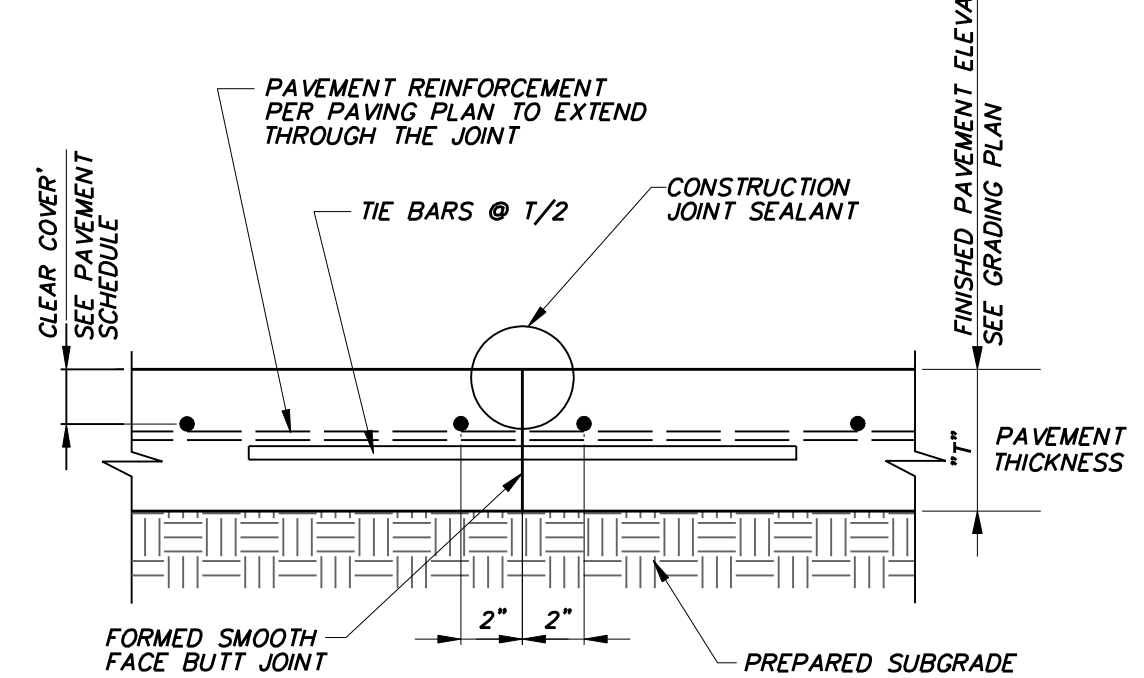
LONGITUDINAL CONTROL JOINT
NOT TO SCALE



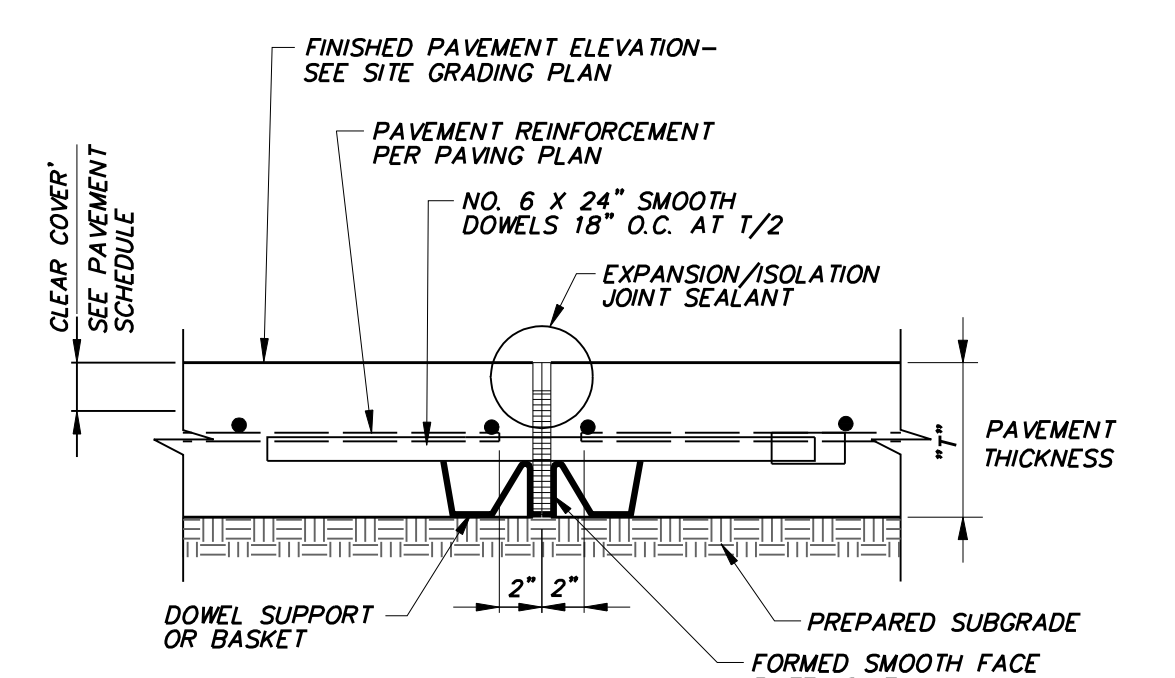
KEYED LONGITUDINAL CONSTRUCTION JOINT
NOT TO SCALE



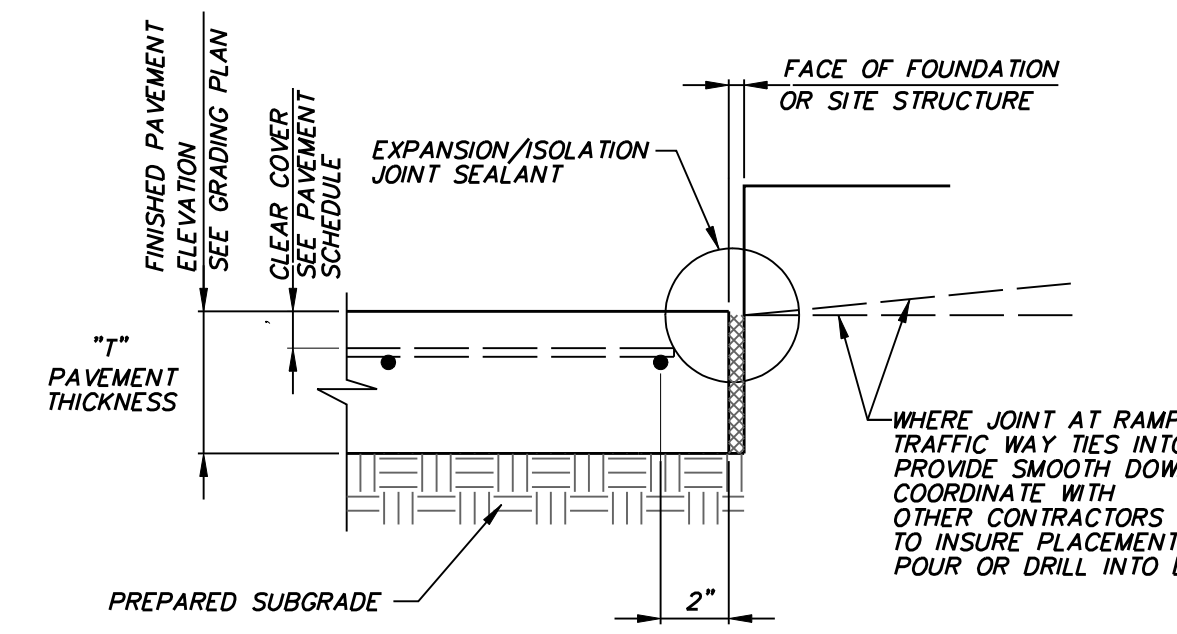
TRANSVERSE CONTROL JOINT
NOT TO SCALE



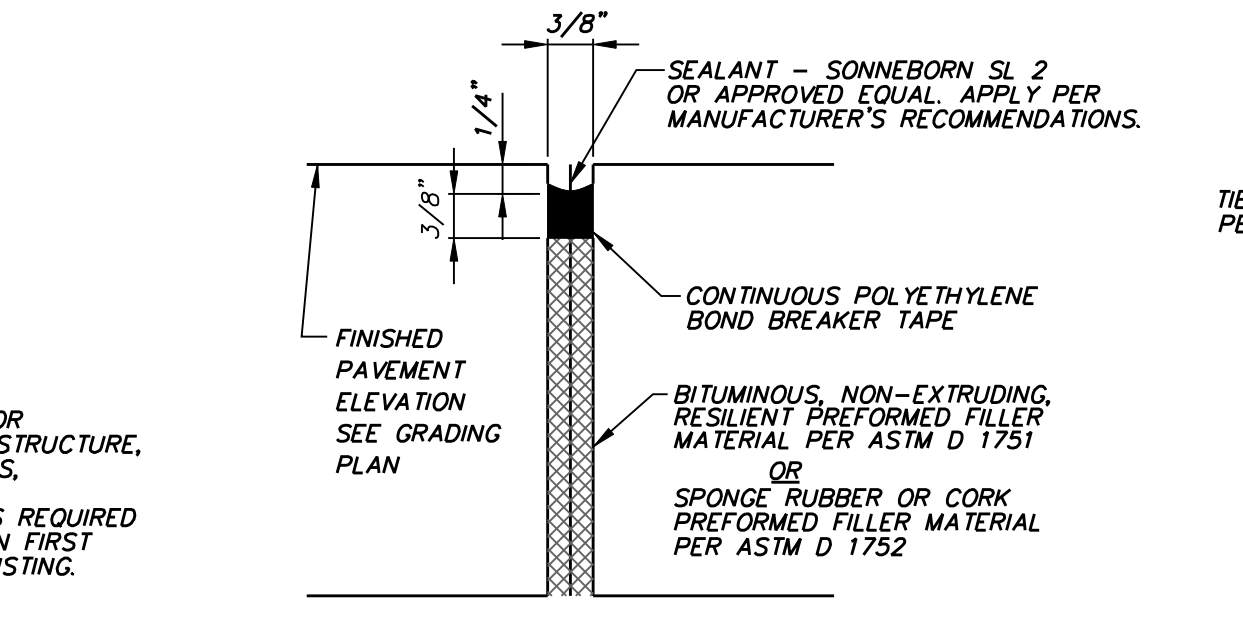
TRANSVERSE OR LONGITUDINAL CONSTRUCTION JOINT
NOT TO SCALE



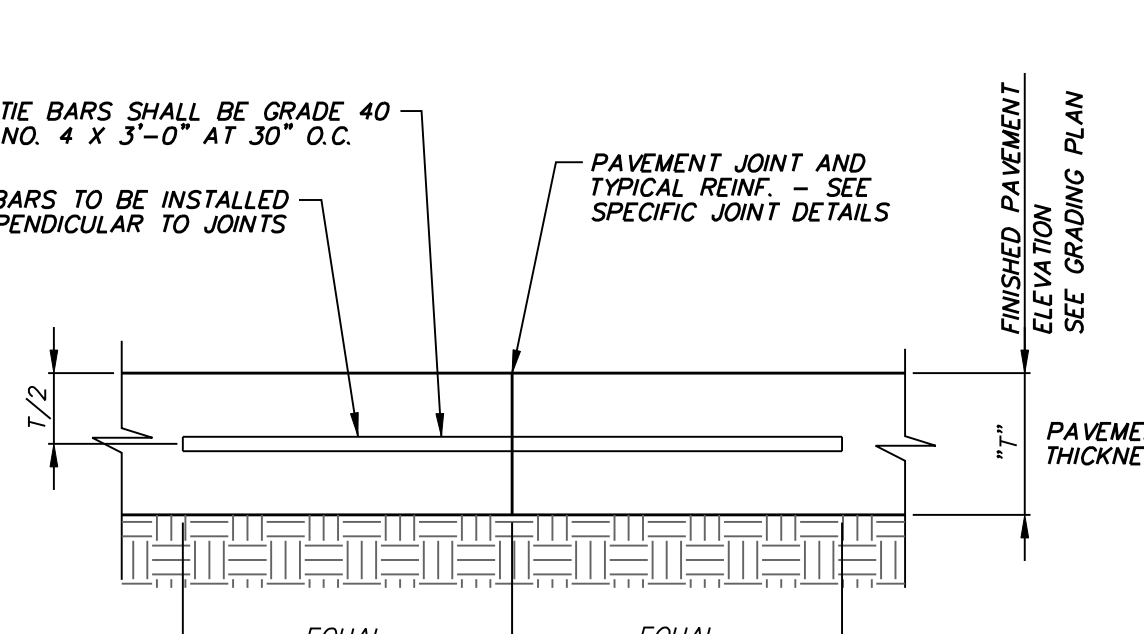
TRANSVERSE EXPANSION JOINT
NOT TO SCALE



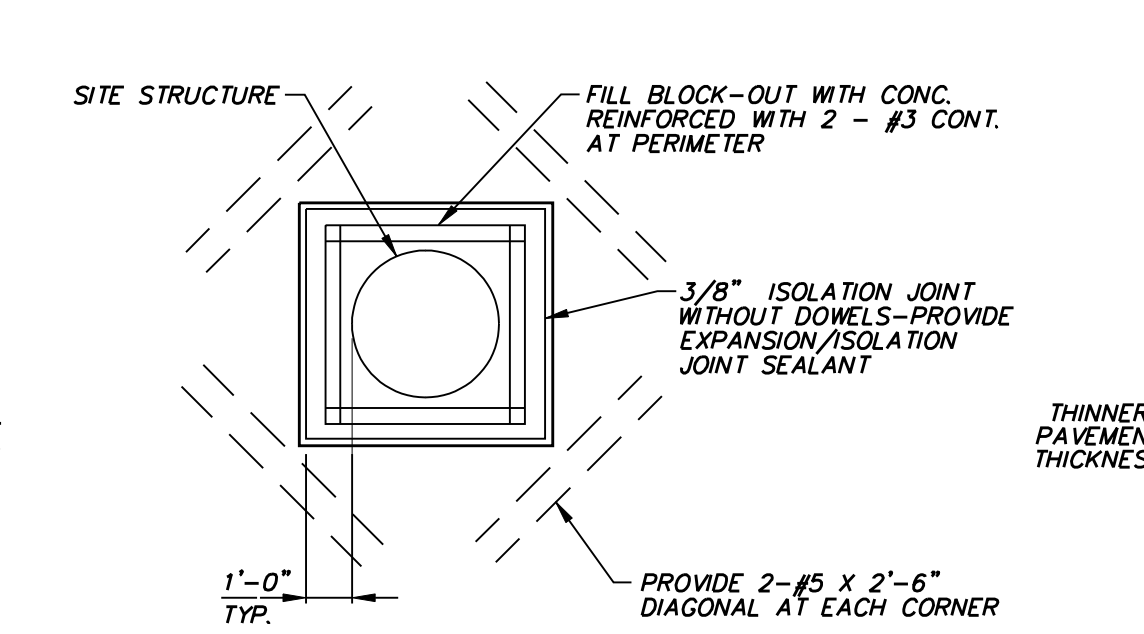
EXPANSION / ISOLATION JOINT AT STRUCTURES
NOT TO SCALE



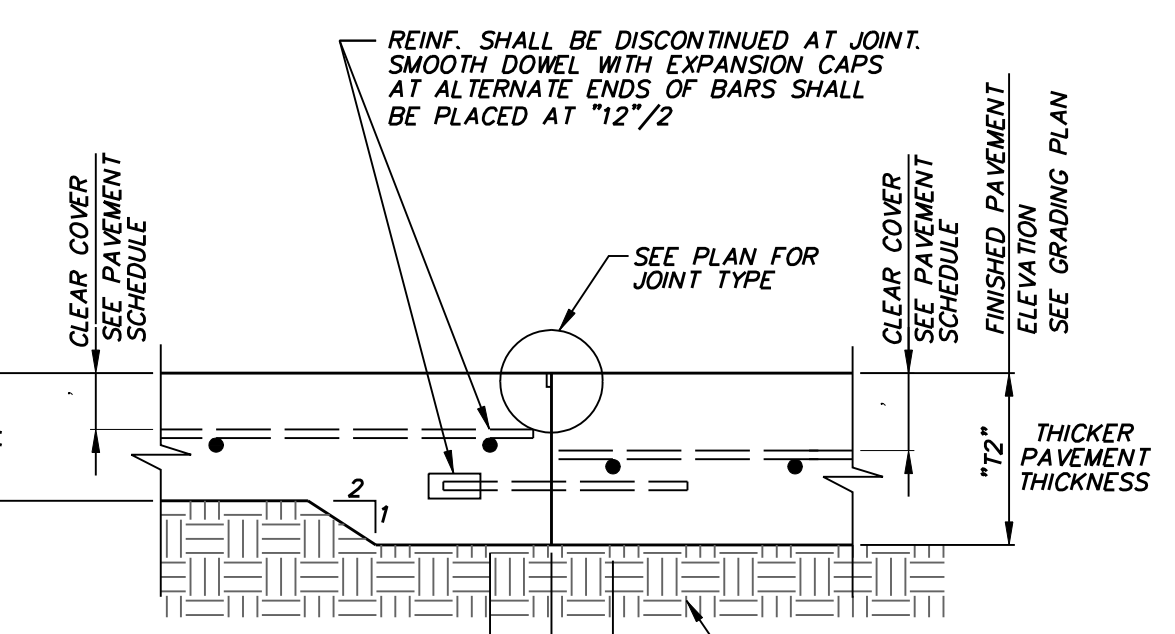
EXPANSION / ISOLATION JOINT SEALANT
NOT TO SCALE



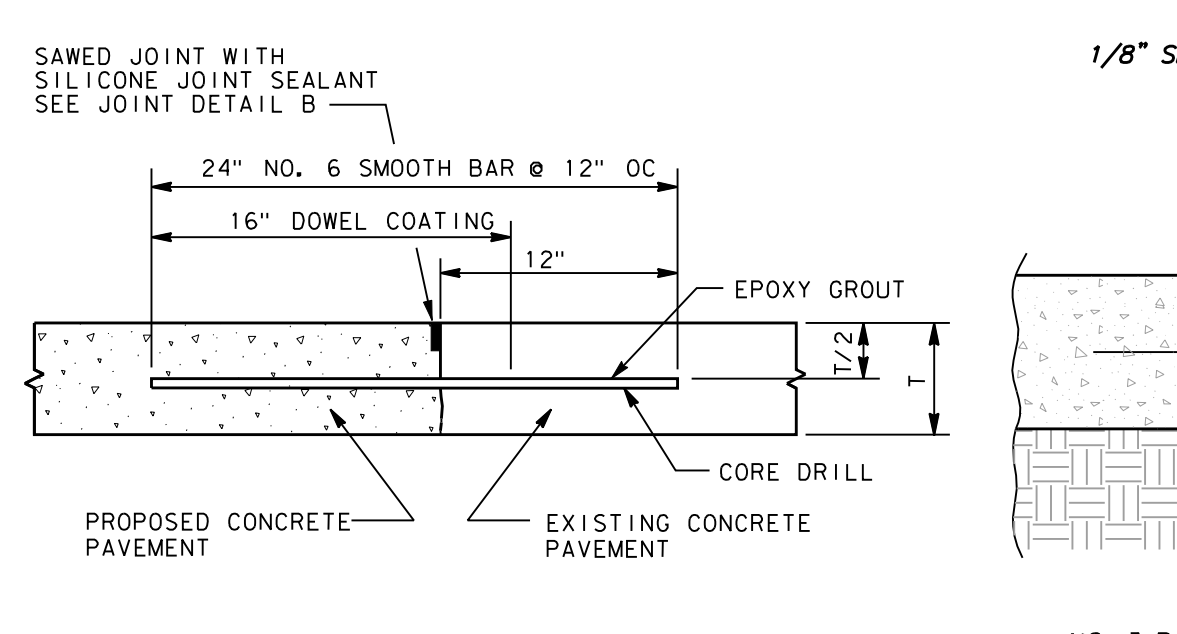
TIE BAR
NOT TO SCALE



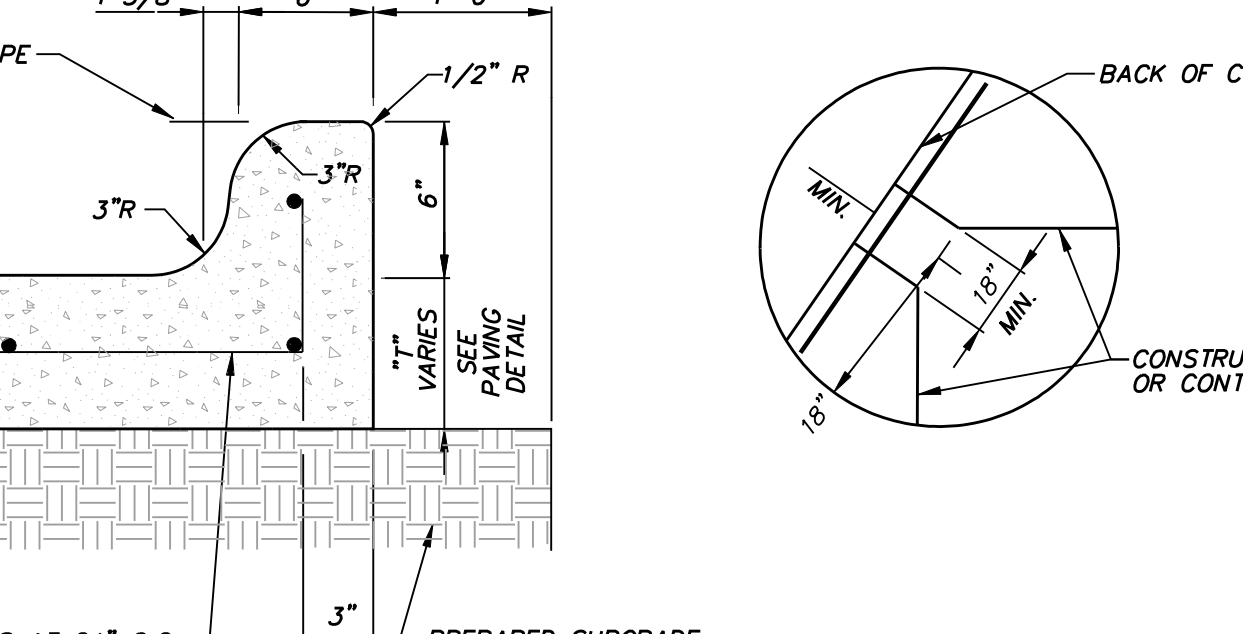
JOINT TREATMENT AT SITE STRUCTURES
NOT TO SCALE



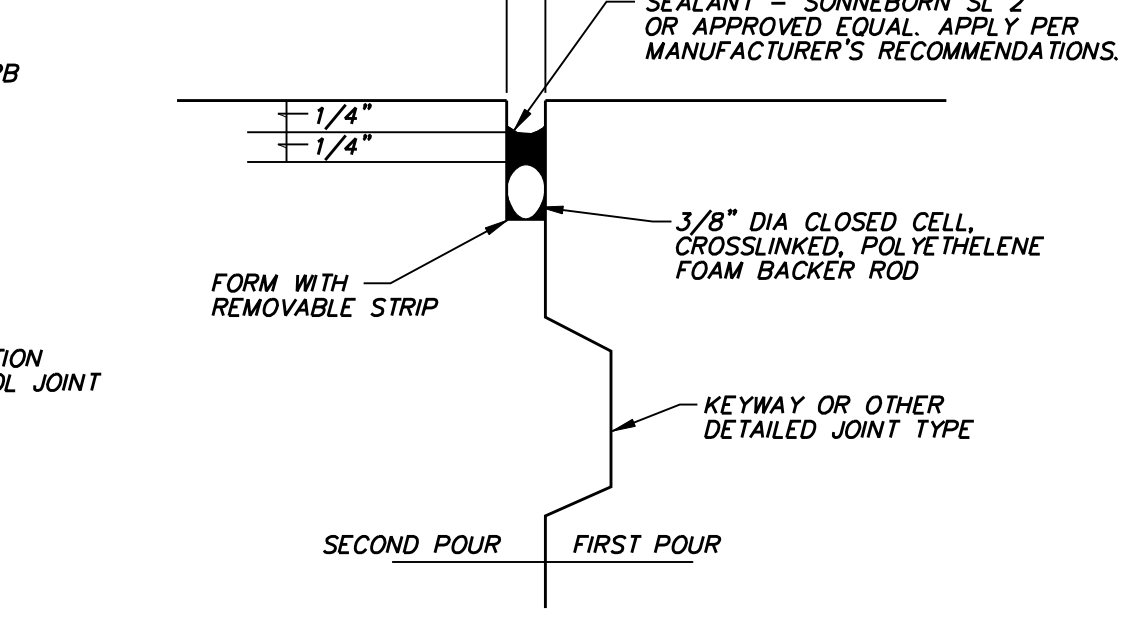
PAVEMENT DEPTH CHANGE / ISOLATION JOINT
NOT TO SCALE



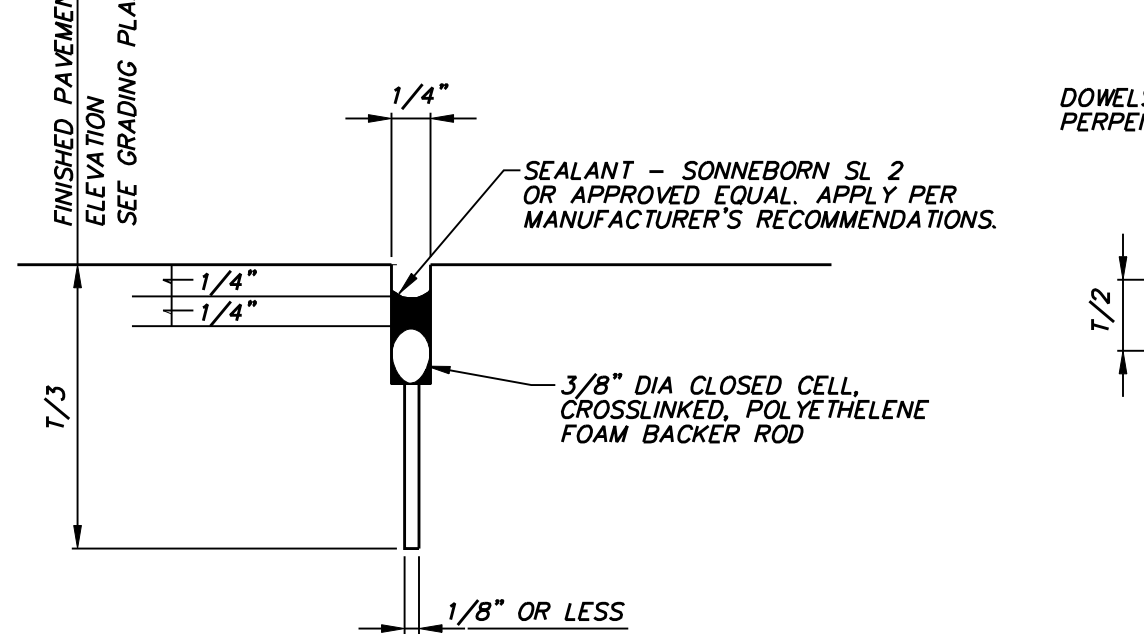
PROPOSED TO EXISTING CONCRETE PAVEMENT
NOT TO SCALE



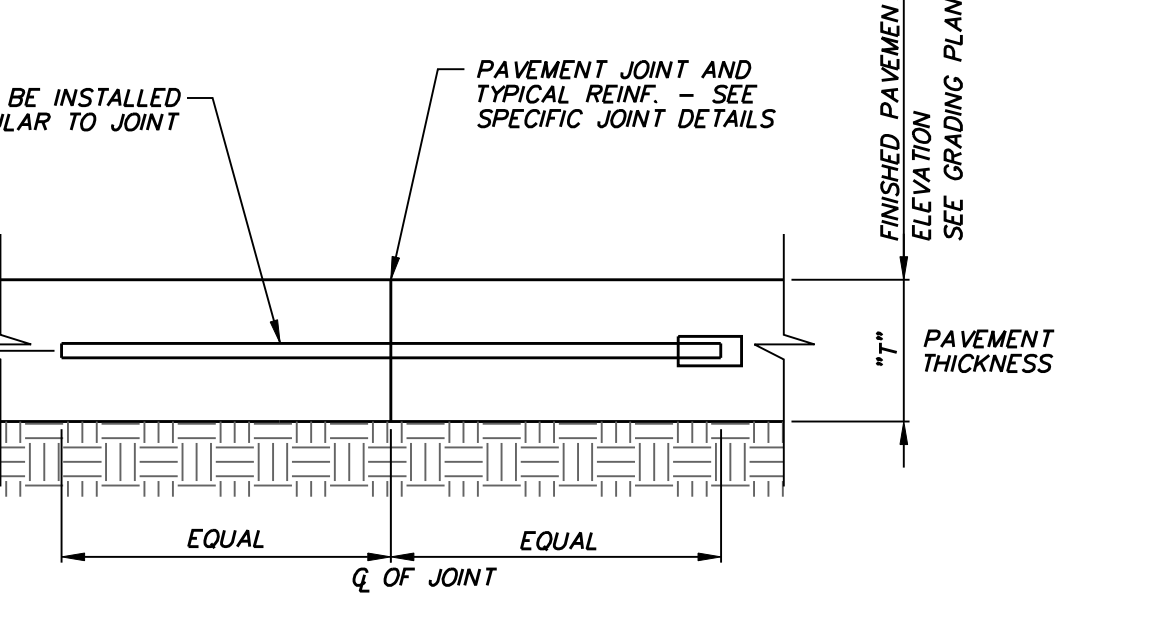
6" INTEGRAL CURB
NOT TO SCALE



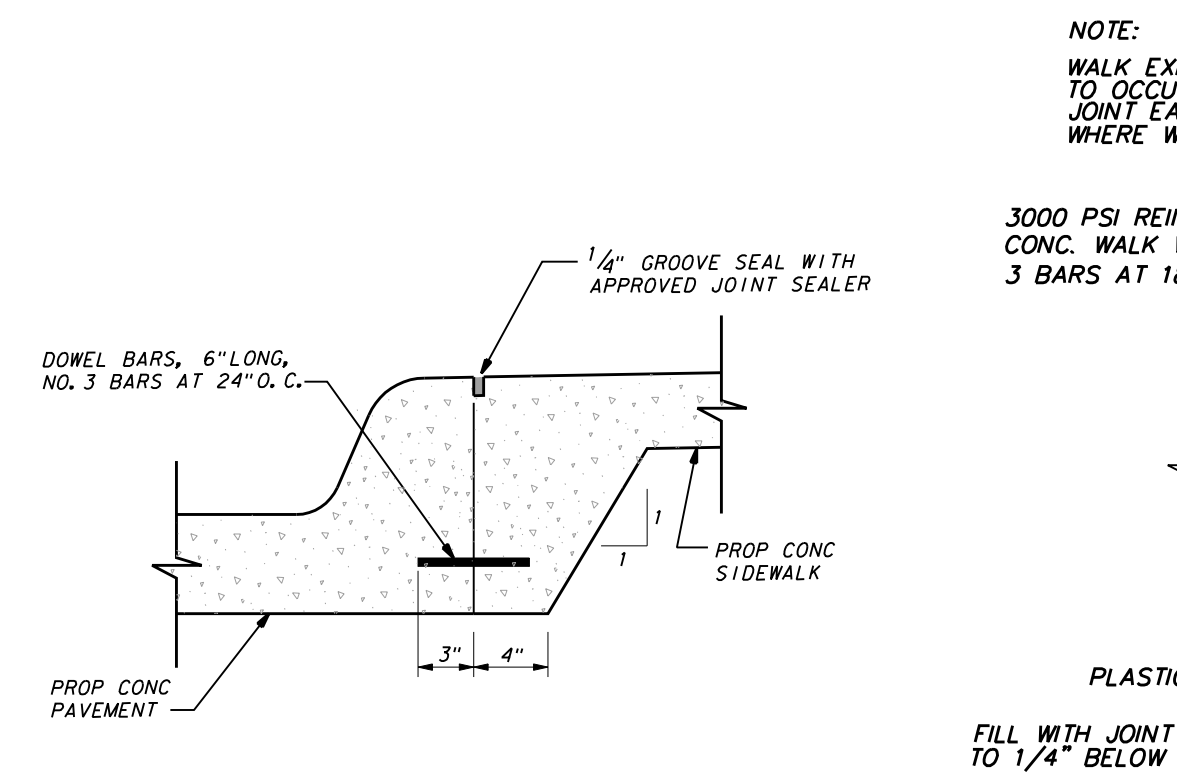
TYPICAL AT ALL ANGLED JOINT TERMINATIONS
NOT TO SCALE



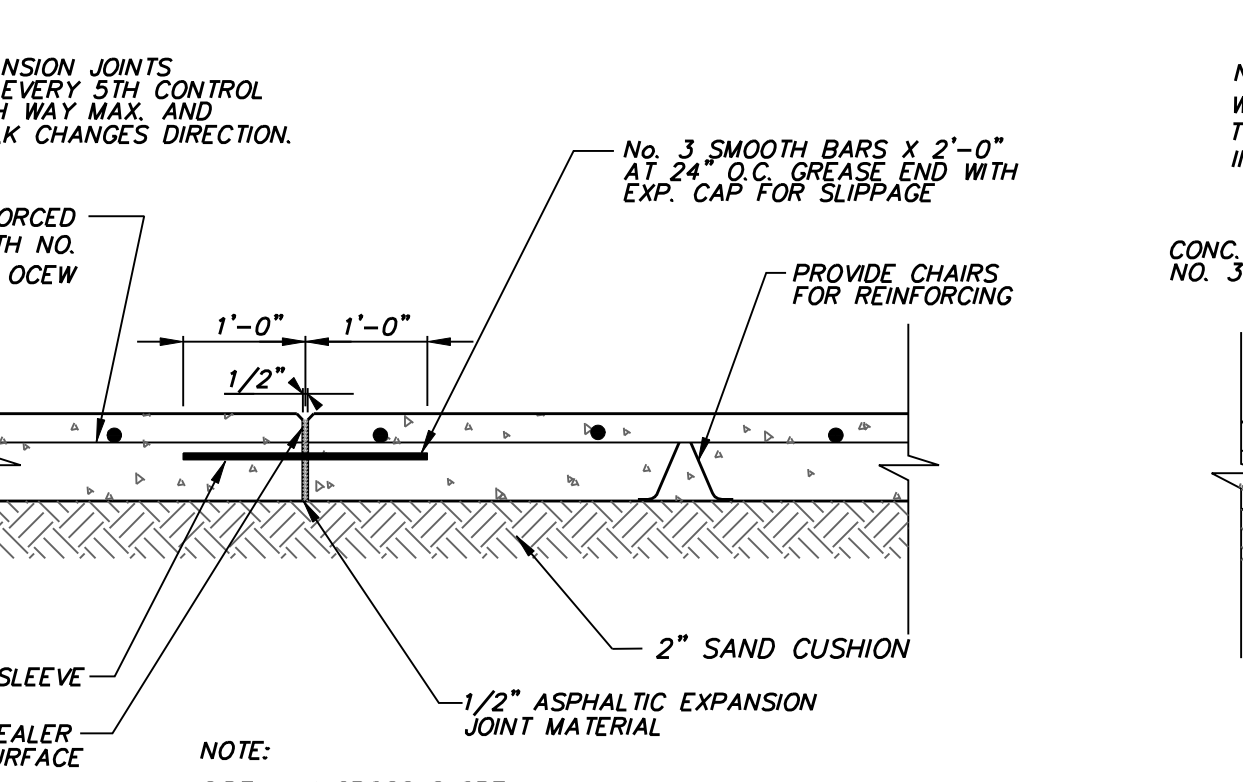
SAWED CONTROL JOINT SEALANT
NOT TO SCALE



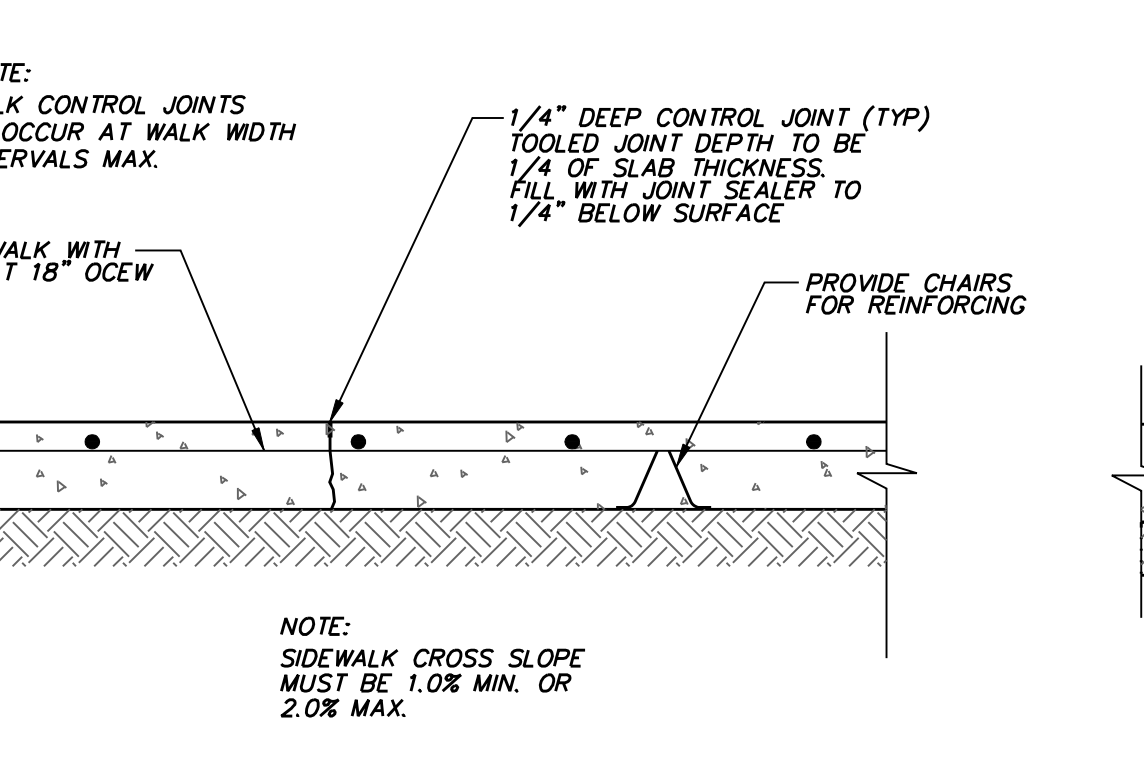
SMOOTH DOWEL
NOT TO SCALE



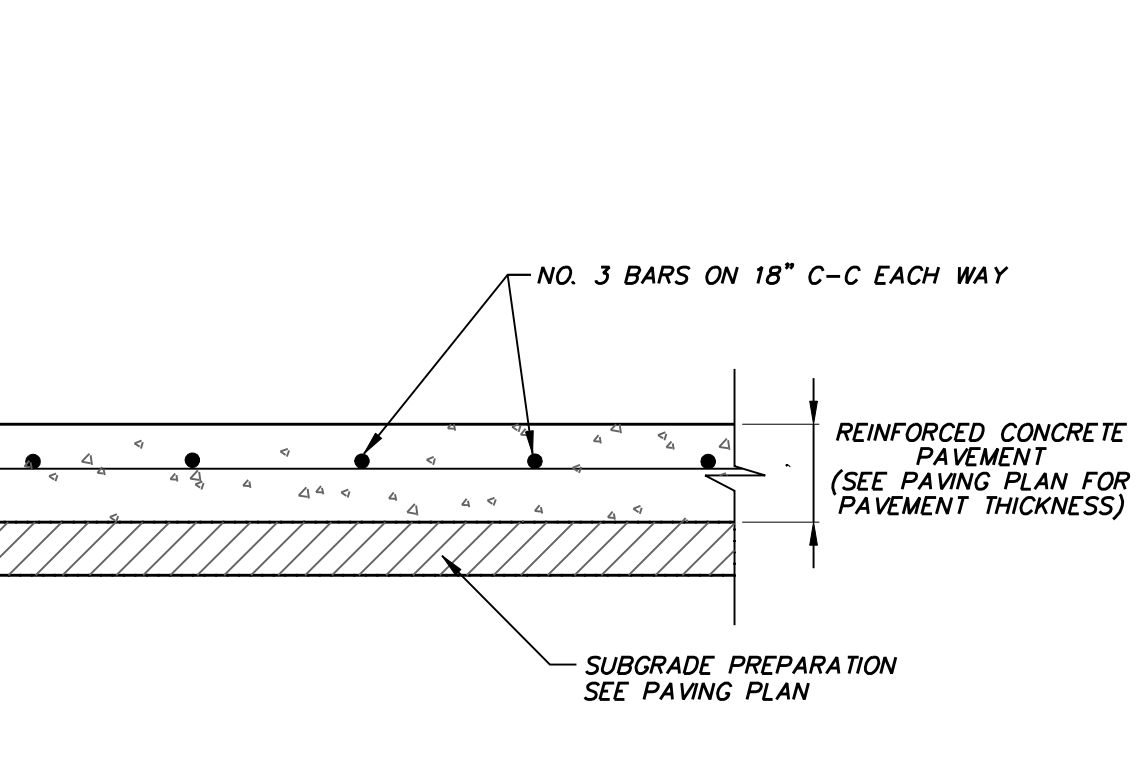
JOINT DETAIL FOR SIDEWALK ADJACENT TO CURB
NOT TO SCALE



SIDEWALK EXPANSION JOINT
NOT TO SCALE



SIDEWALK CONTROL JOINT
NOT TO SCALE



TYPICAL PAVEMENT SECTION
NOT TO SCALE



NO.	REVISION	BY	DATE

icon Consulting Engineers, Inc. 2840 W. Southlake Blvd., Suite 110
Civil Engineers - Designers - Planners Southlake, TX 76092 (817) 552-6210
Engineering Firm Registration Number F-9007

VITRUVIAN WEST 2
VITRUVIAN PARK - TOWN OF ADDISON, TEXAS
3725 VITRUVIAN WAY

PRIVATE PAVING DETAILS

DESIGN	DRAWN	DATE	SCALE	NOTES	Sheet No.
ICE	ICE	NOV 17, 2020	AS NOTED		C6.04